

**BRUSH ADJUSTING SYSTEM**

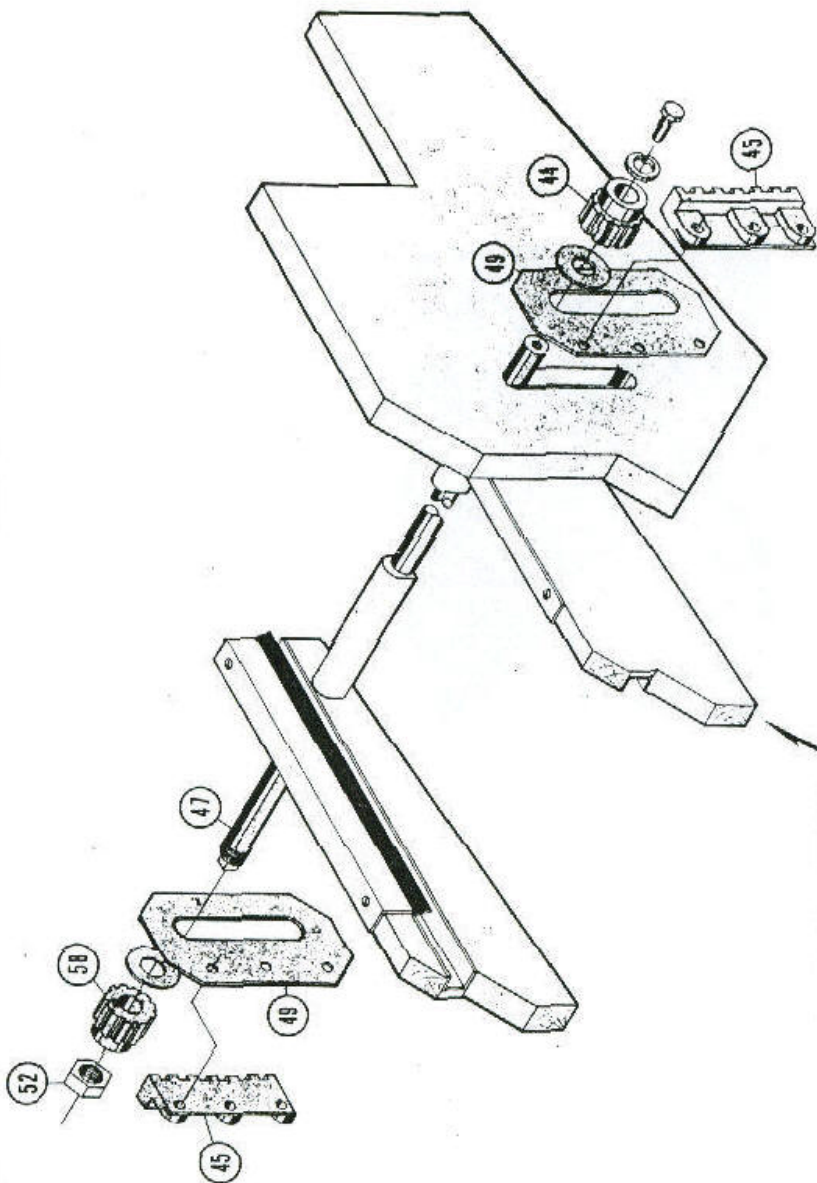
DATE		SCALE	DATE

FERRELL - ROSS  
BAGINAW MICH.  
DWG. NO.

**brush adjusting system**

NO. 110-37  
DATE

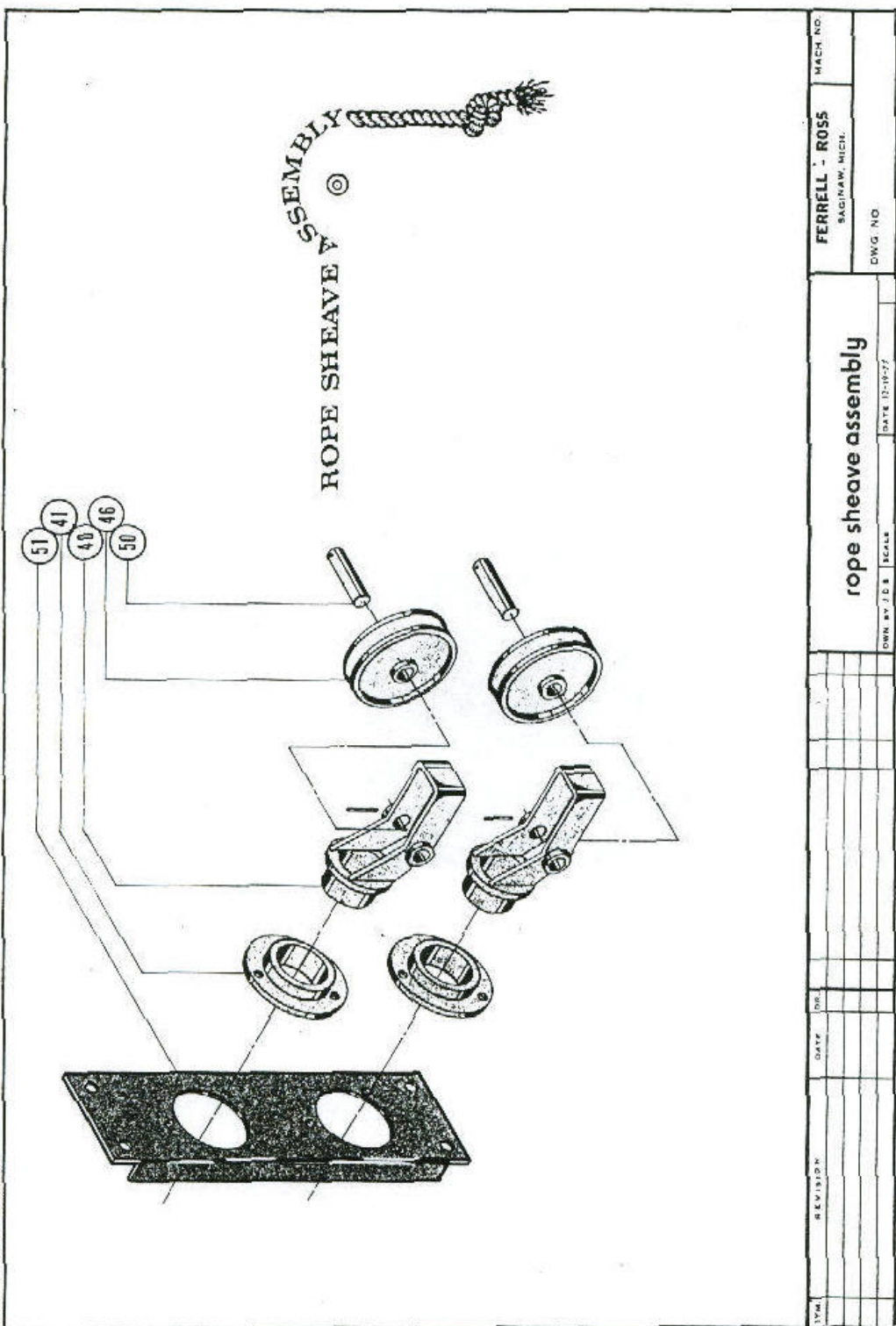
BLUM PRINT SUPPLY CO. INC. 108 S. 312



**TILTING ROD ASSEMBLY**

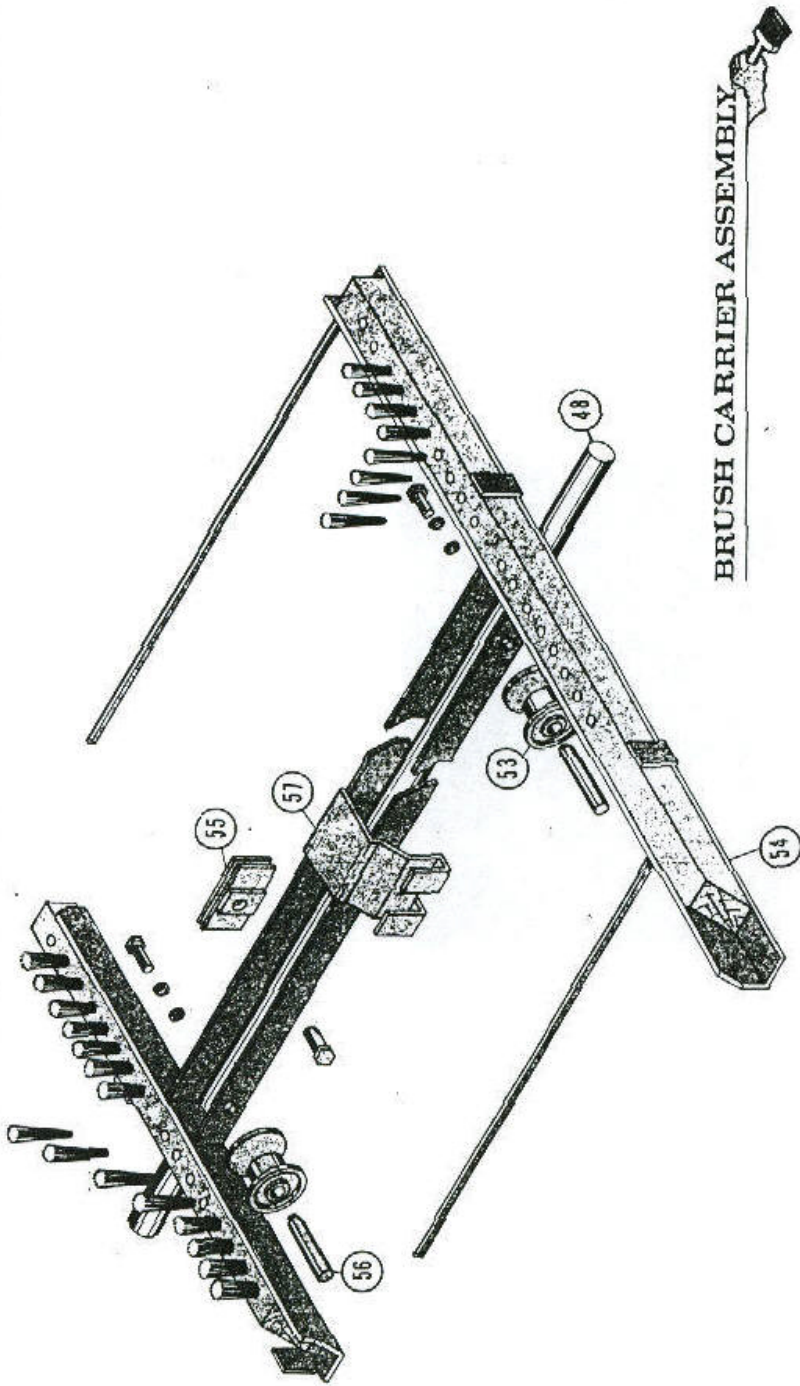
SYN.	REV.	DATE	DR.	DATE	SCALE	DATE	DWG. NO.	MACH. NO.
							FERRELL - ROSS SAGINAW, MICH.	
							tilting rod assembly	
							DWG. NO.	
							SCALE	
							DATE	

BLUE PRINT & SUPPLY CO. (249) 5777



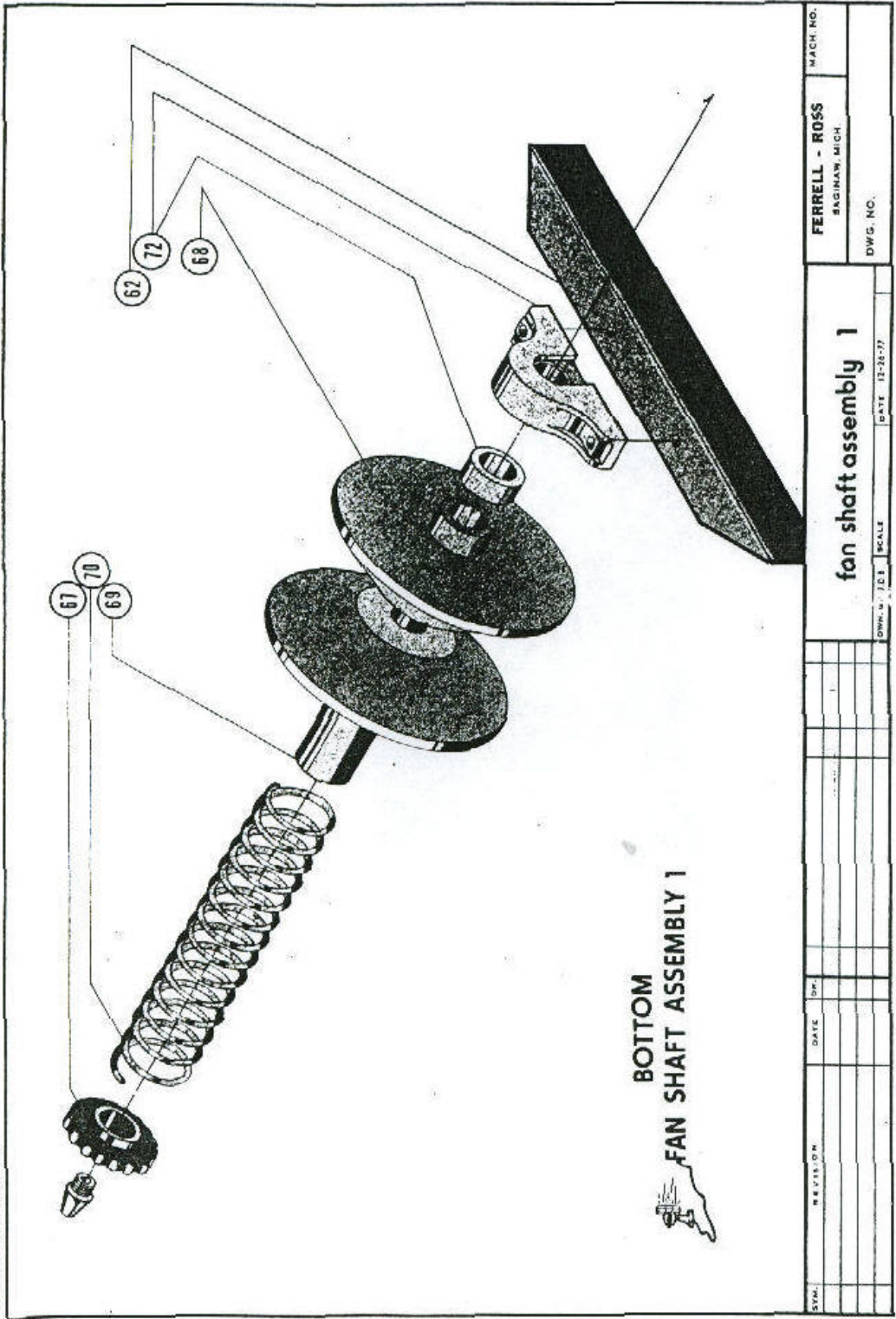
REV.	REVISION	DATE	BY	SCALE	DOWN BY	J.D.B.	DATE	12-19-77
rope sheave assembly								DWG. NO.
FERRELL - ROSS								HECK NO.
SAGINAW, MICH.								

GROUP PRINT SUPPLY & SERVICE CO.



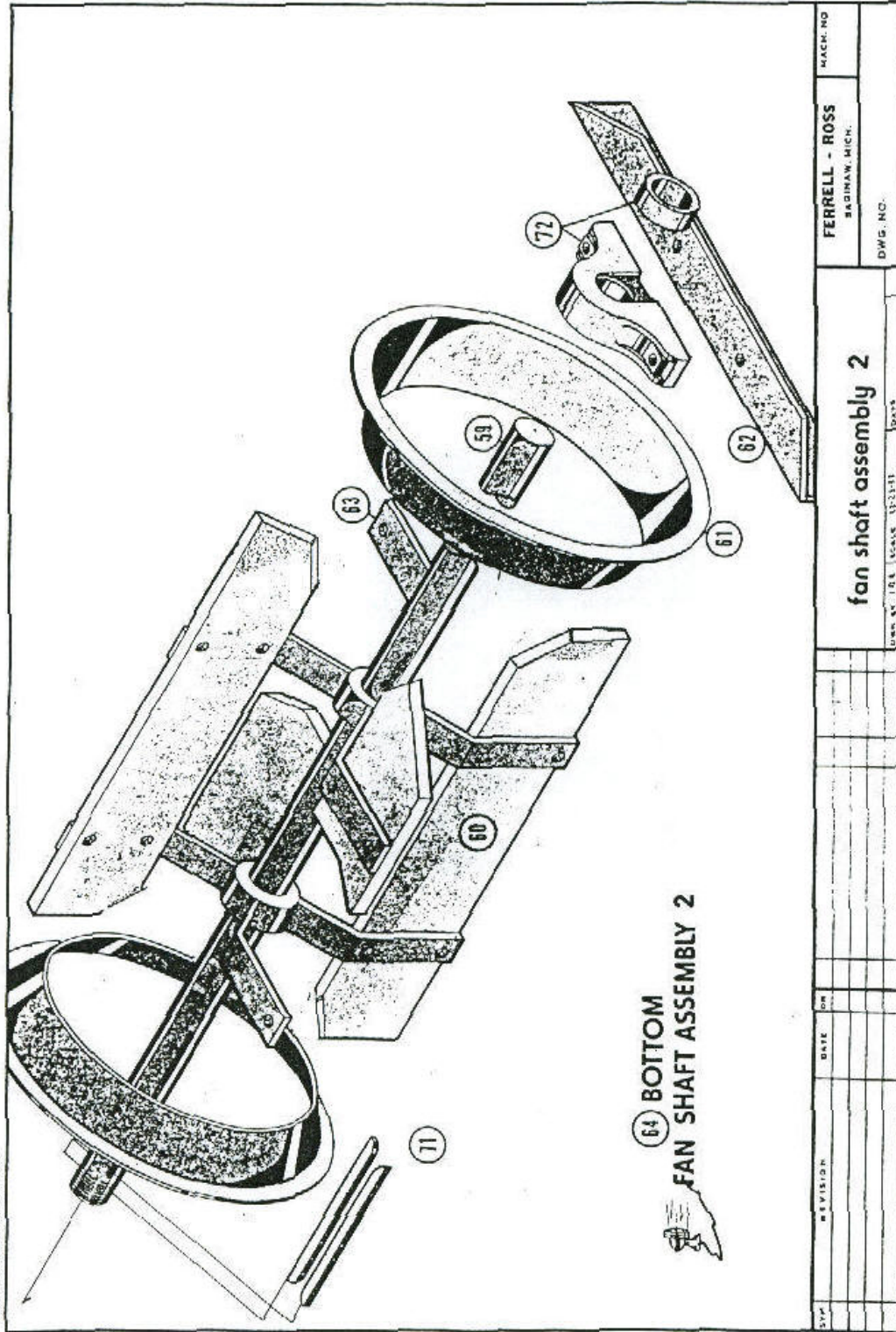
BRUSH CARRIER ASSEMBLY

DWG NO.	DATE	SCALE	JOB	DWG NO.	FERRELL - ROSS		MACH NO.
					SAGINAW, MICH.		
brush carrier assembly					DATE 12-18-77		



**BOTTOM  
FAN SHAFT ASSEMBLY 1**

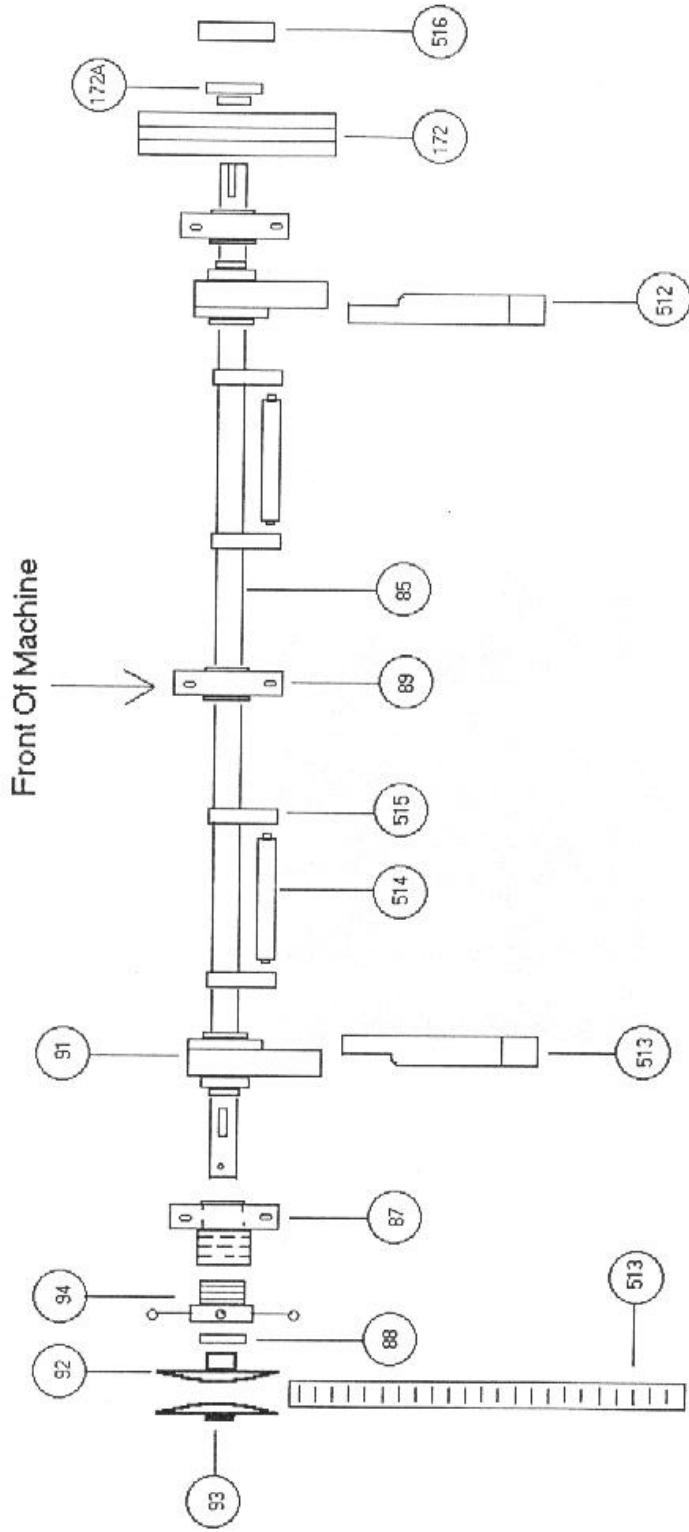
SYNO.	DATE	BY	CHECKED	DATE	fan shaft assembly 1	DATE: 12-30-77	
							DWG. NO. J.O.E. SCALE
MACH. NO. FERRELL - ROSS		SAGINAW, MICH.			DWG. NO.		

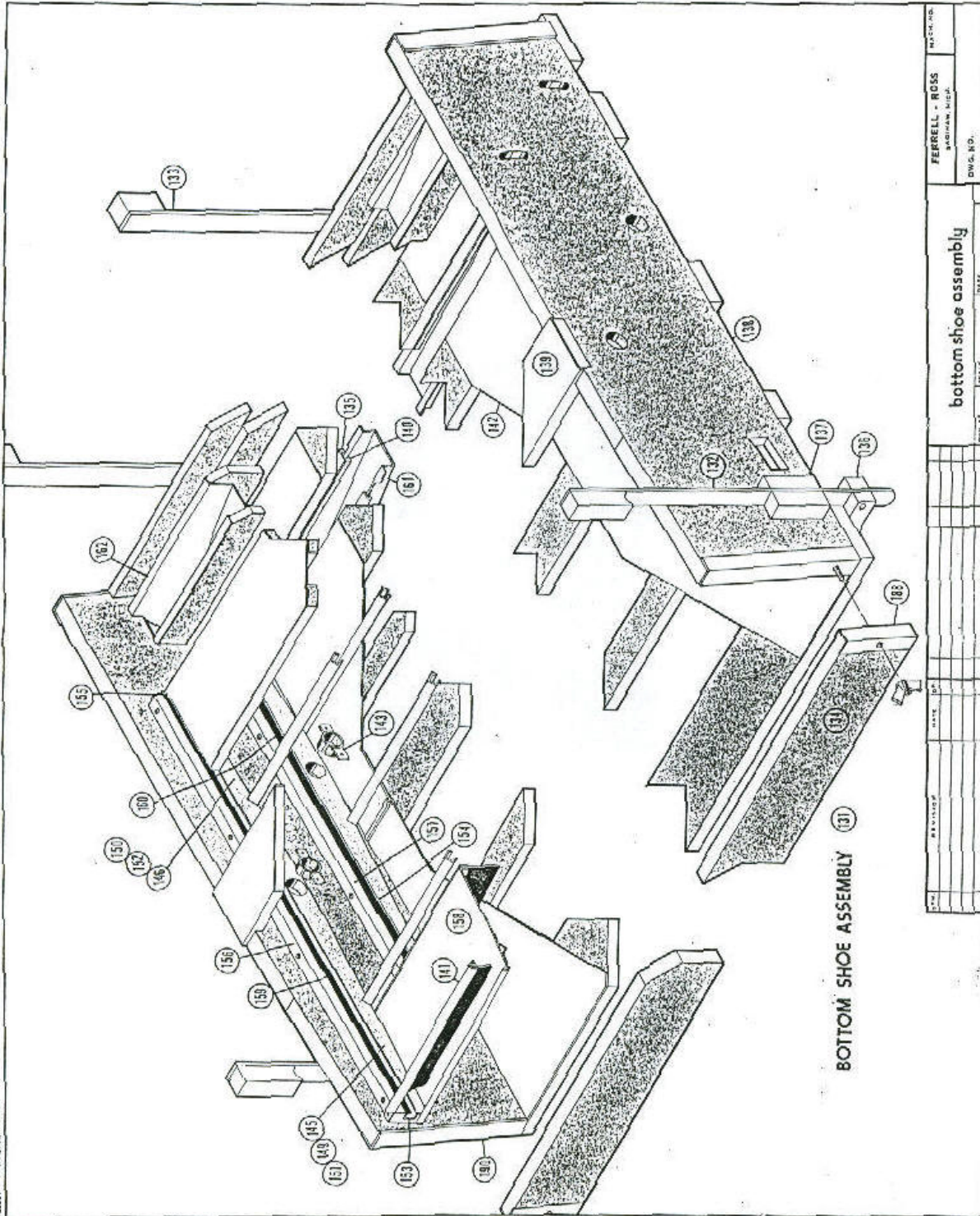


64 BOTTOM  
 FAN SHAFT ASSEMBLY 2

SY#	REVISION	DATE	DR	DESIGN	DATE	DR
fan shaft assembly 2		DWG. NO. 1063 (REV. 12/2015) 1063				
FERRELL - ROSS				MACH. NO.		
BADINAW, RICH.						

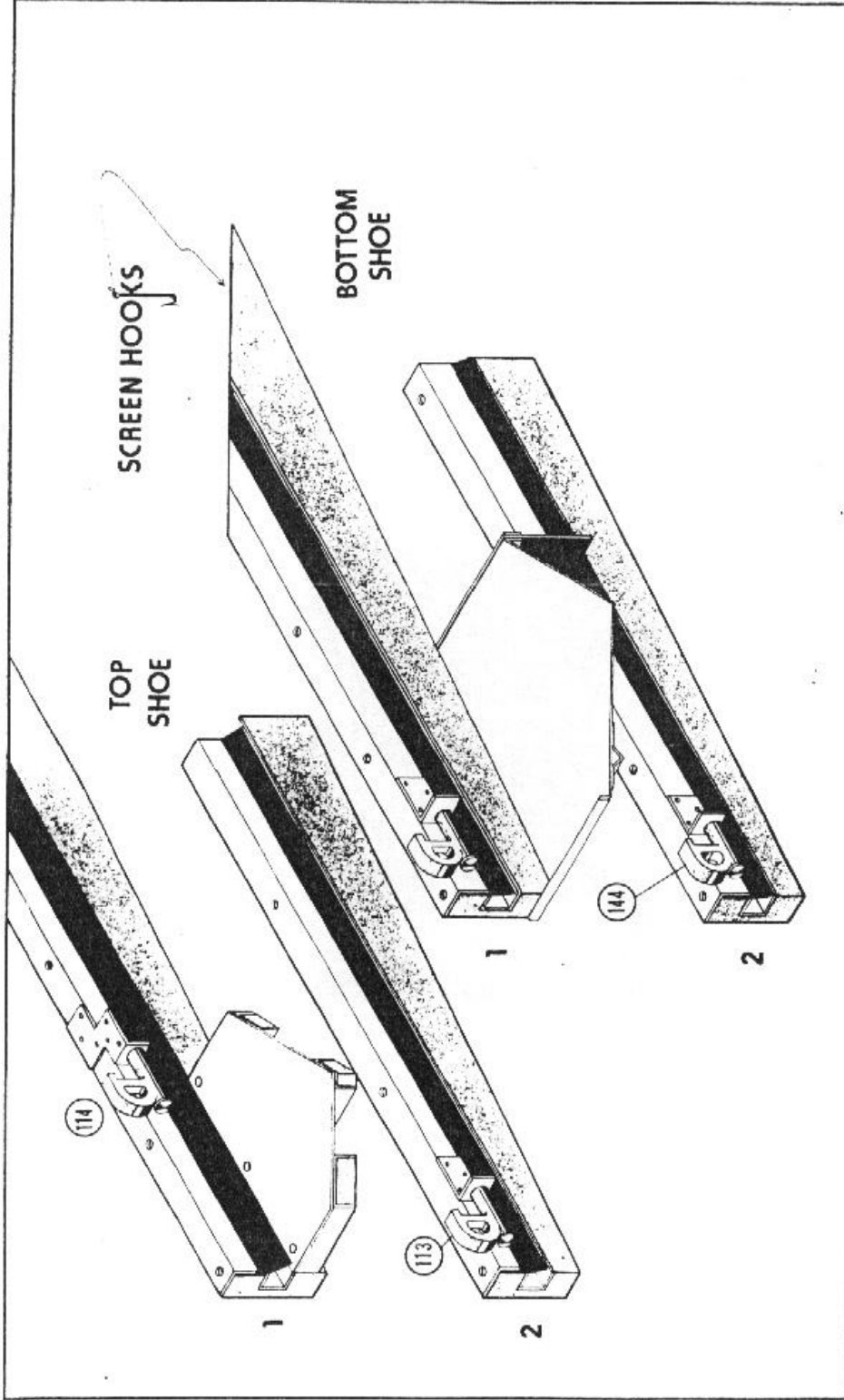
# Eccentric Shaft For 60 Series





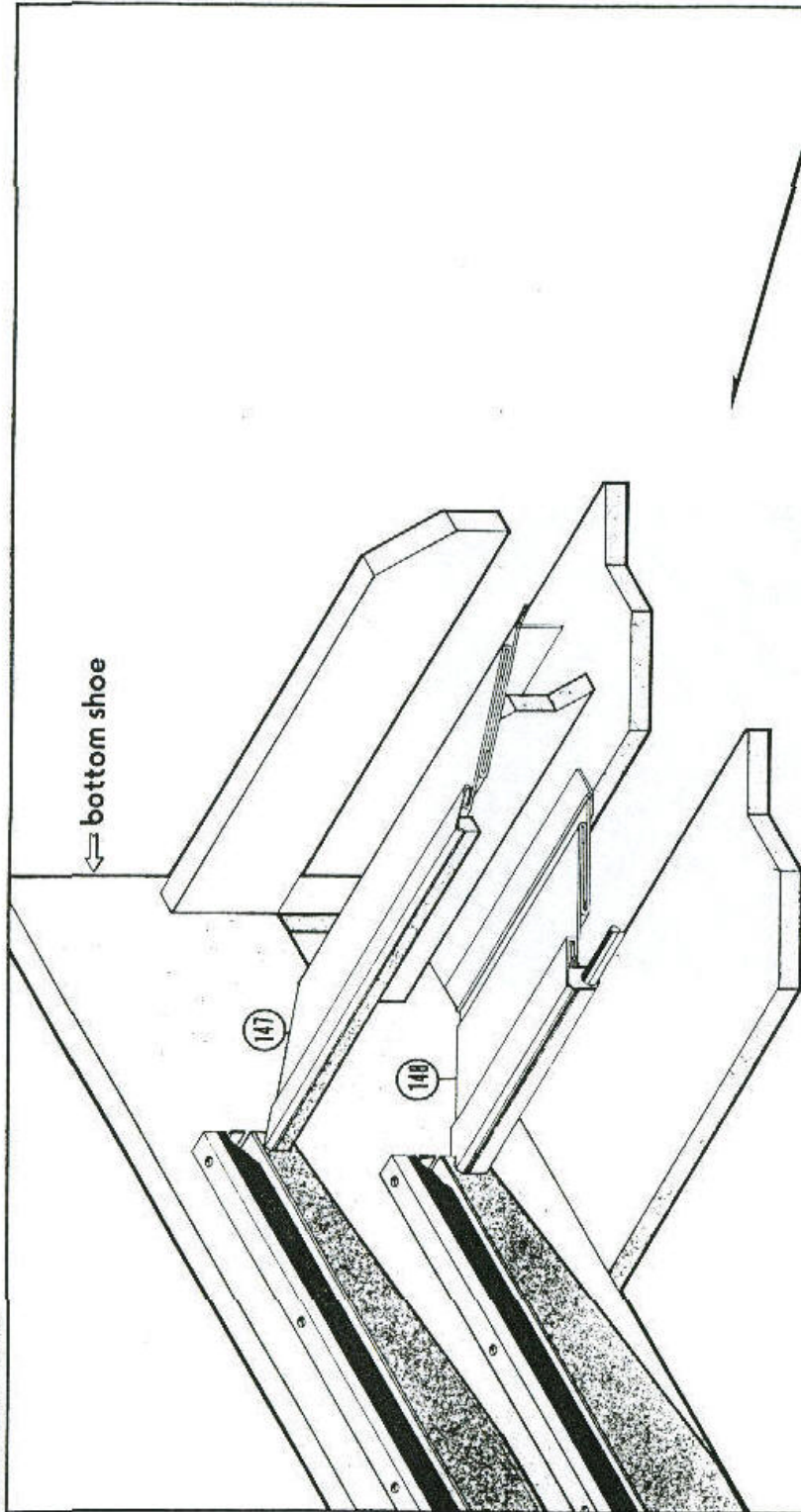


REPL. NO. 17 SUPPLY UNIT 12-15-1754



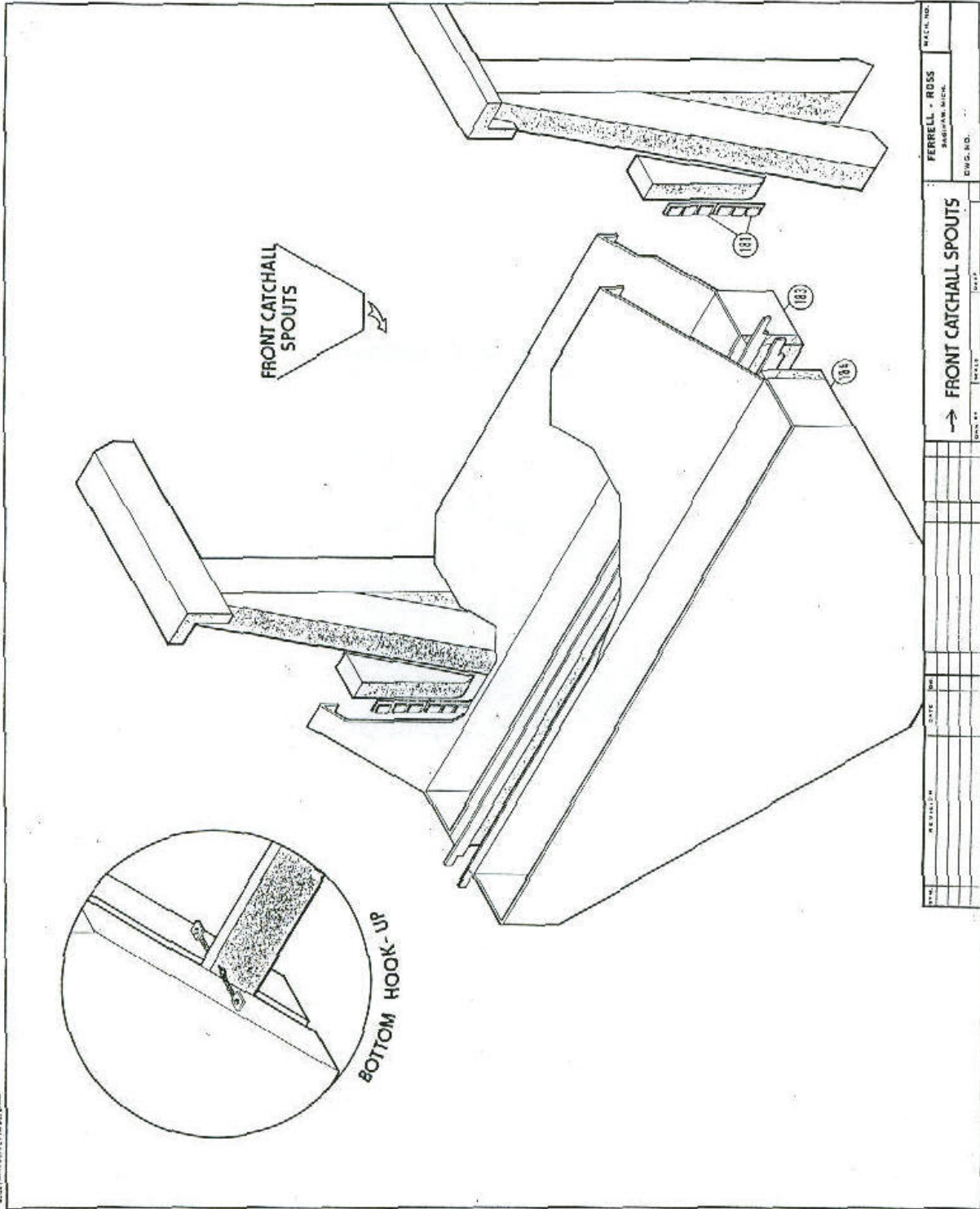
DATE	DR.	DATE	DR.	DATE	DR.	DATE	DR.	DATE	DR.
REVISION									
screen hooks									
DWG. NO.					DATE				
FERRELL - ROSS					SCALE				
SAGINAW, MICH.					DRAWN BY				
MACH. NO.					DATE				

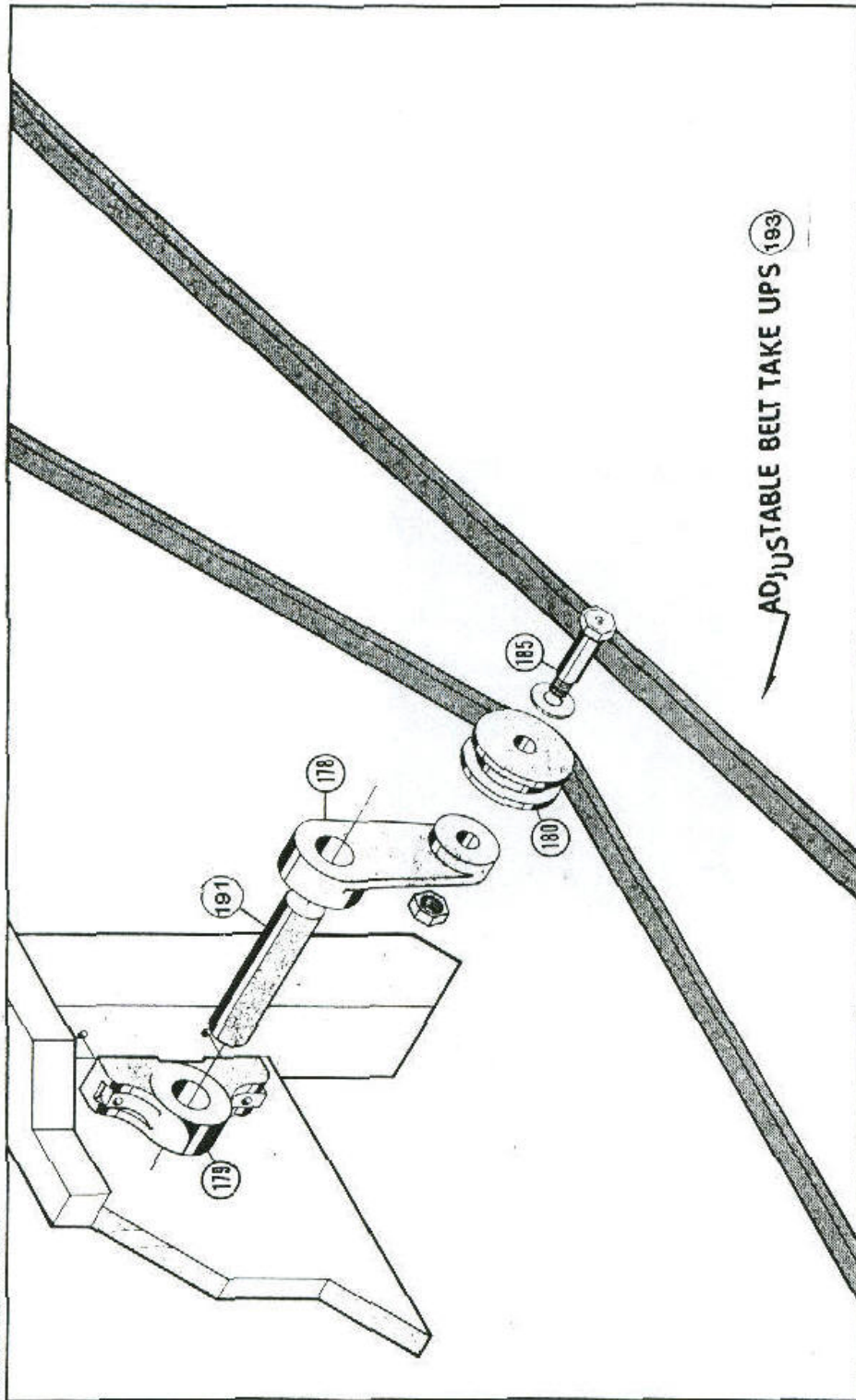
BLUE PRINT SUPPLY COMPANY



### ARRANGEMENT FOR TELESCOPIC APRONS

SYN	REVISION	DATE	BY	SCALE	DATE	DWG. NO	MACH. NO
aprons, arrangement for telescopic						DWG. NO	
DWG. BY						SCALE	DATE





REV	REVISION	DATE	BY	SCALE	DATE	OWNER	DWG. NO.	MACH. NO.

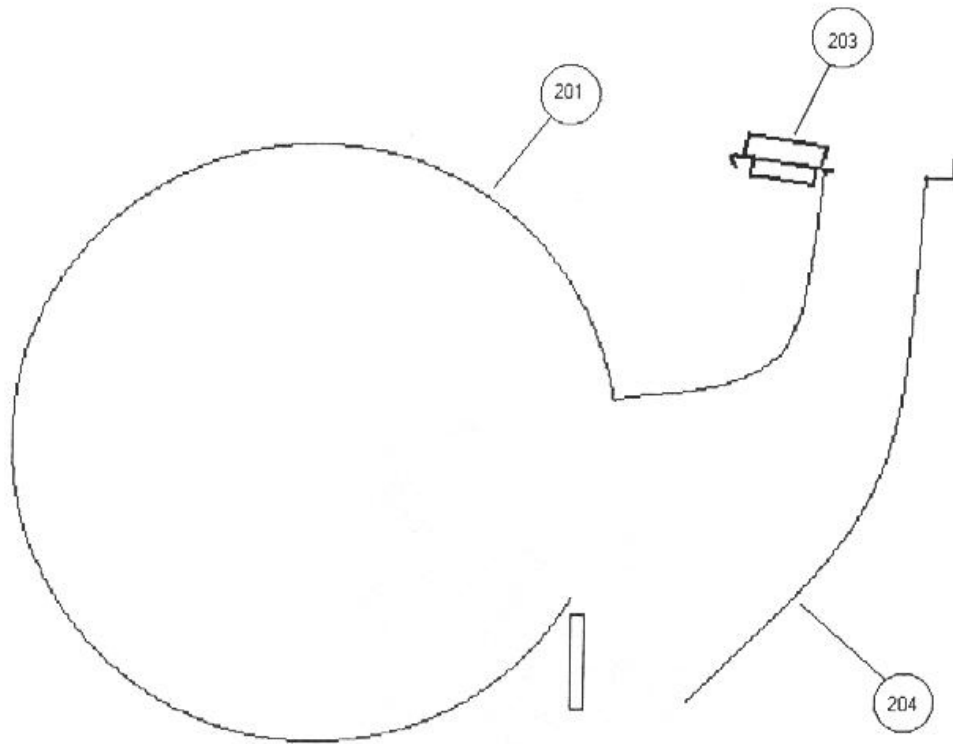
FERRELL - ROSS  
SASINAW, N.C.  
DWG. NO.

adjustable belt take ups

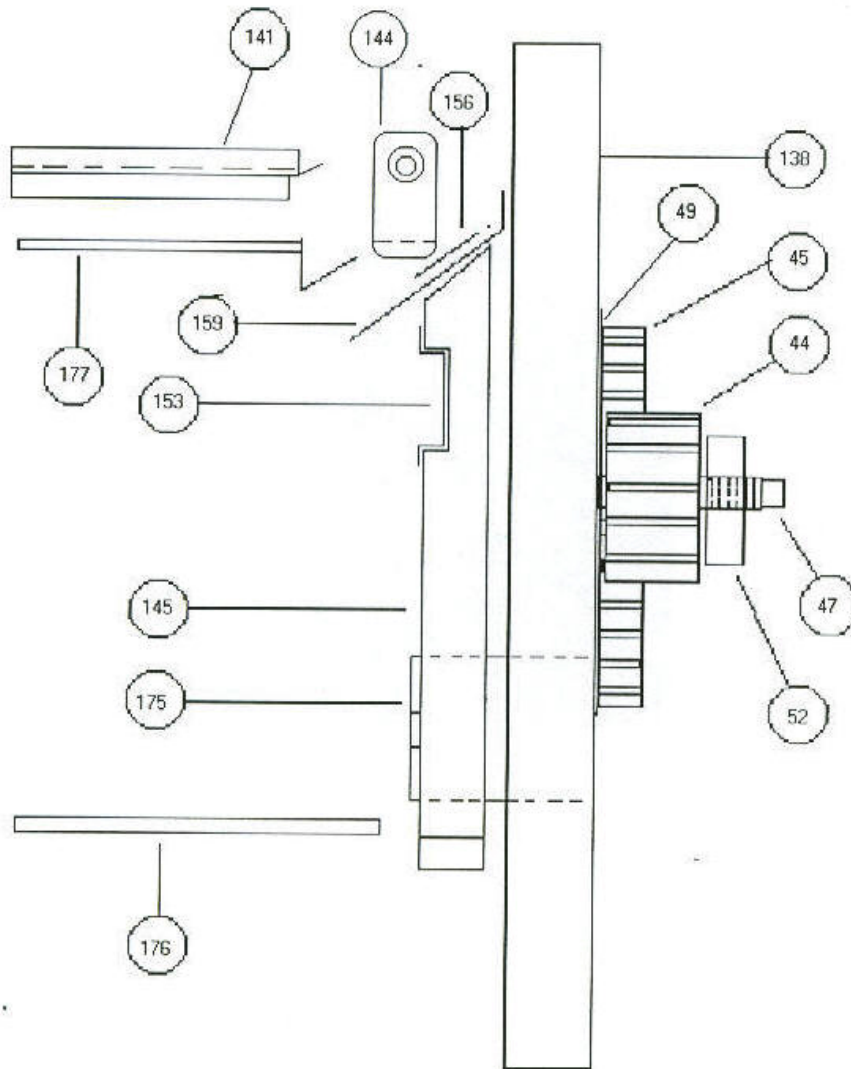
ADJUSTABLE BELT TAKE UPS 193

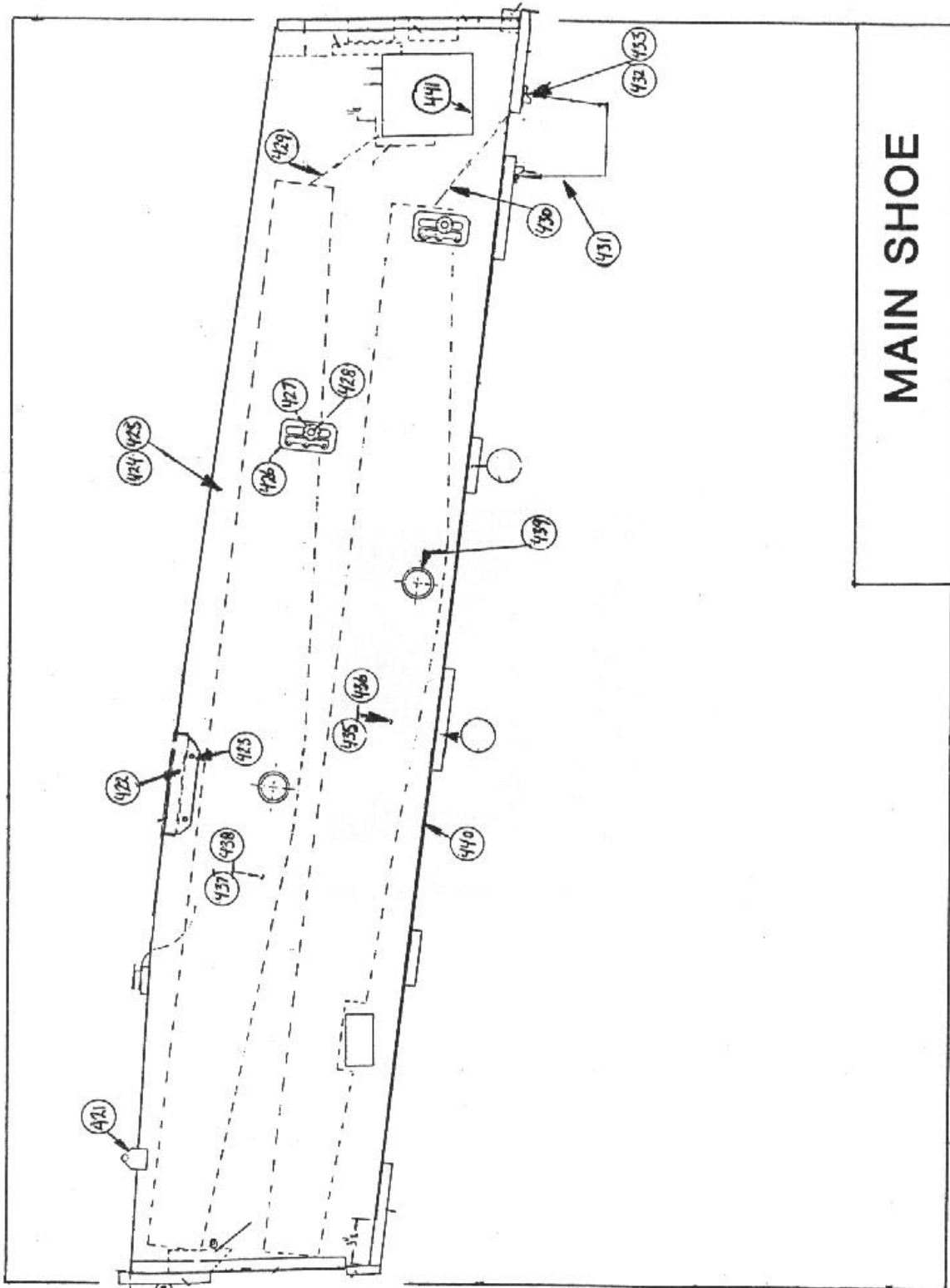
SCALE: 1/2" = 1'-0"

# Bottom Fan Metal



Rocker Assembly View  
Brush Style





**MAIN SHOE**

# Scalper Shoe Assembly View

## Brush Style

