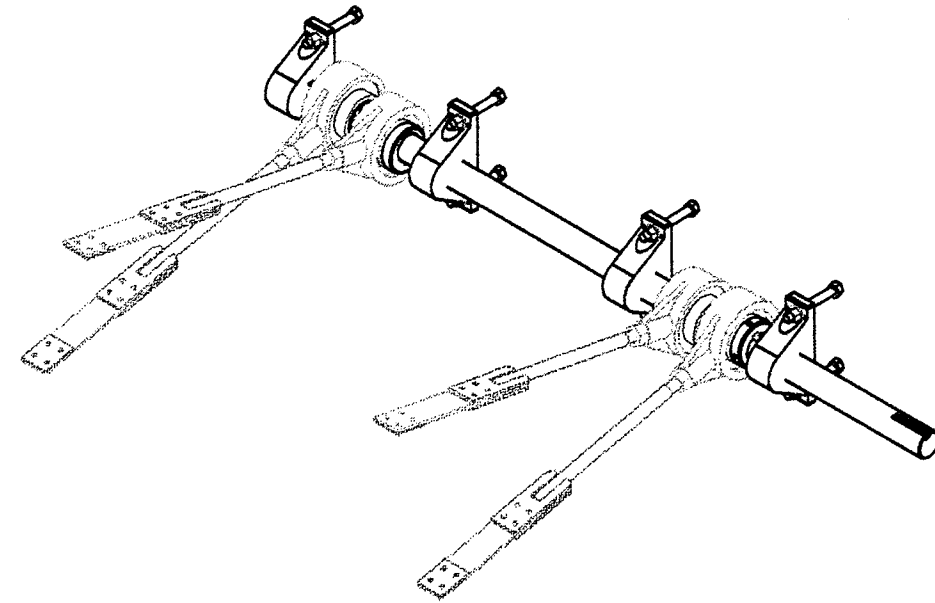
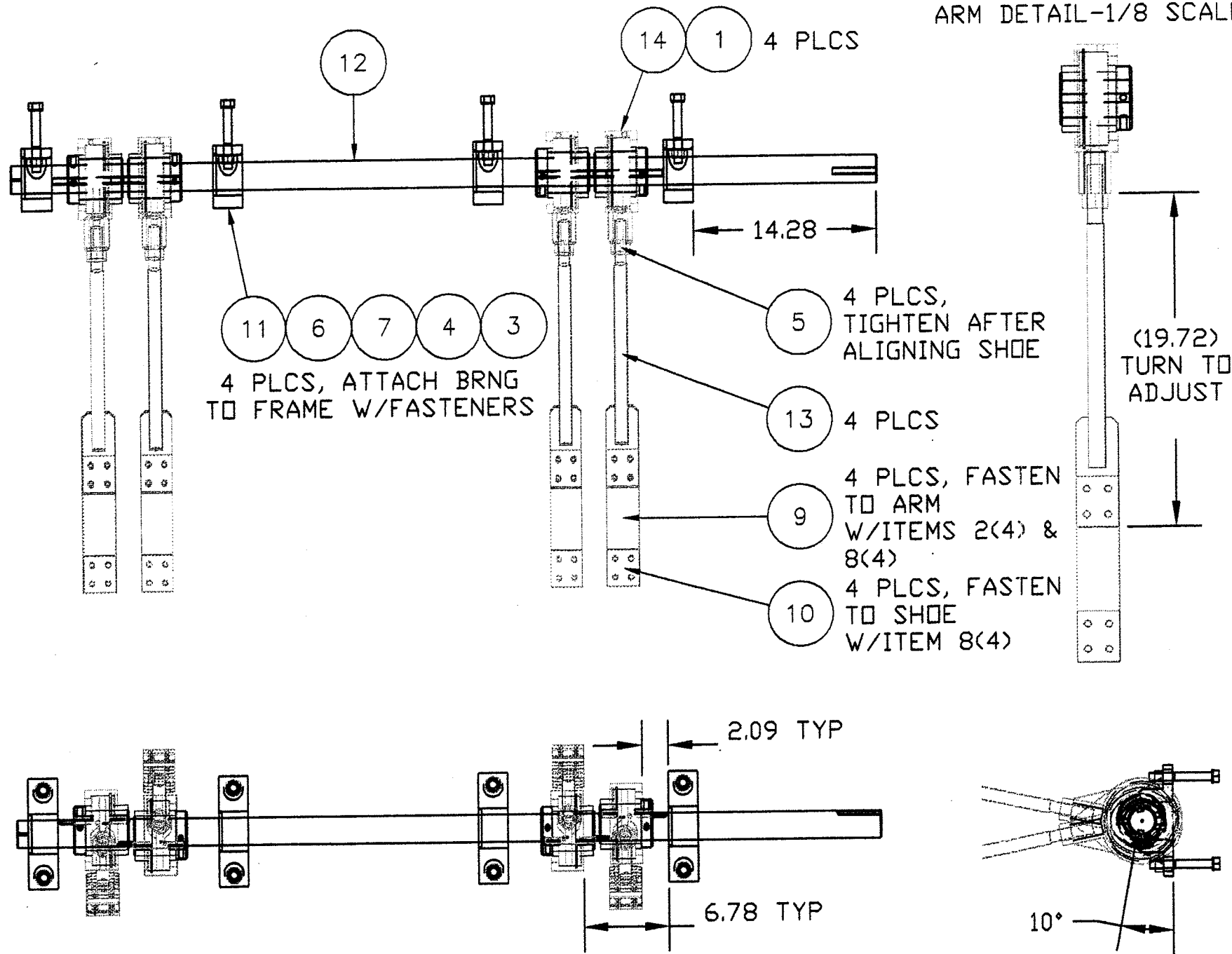


ARM DETAIL-1/8 SCALE



14	F92053051	4	ECC ASSY NG 2.18" .5T
13	F90006027	4	PITMAN ARM WLDMT, NG
12	F66680067	1	ECC SHAFT 2.18" 468-968 AC LH
11	F40000081	4	BEARING-PB 2.18" RAK
10	F11303666	4	BACK PLATE, PITMAN CONNECTOR
9	F11303662	4	PITMAN CONNECTOR
8	66784400	32	NUT, HEX SERR FLANGE LOCK 3/8-16
7	66445800	8	WASHER, LOCK 5/8"
6	66405800	8	WASHER, FLAT 5/8" PLT
5	66087400	4	NUT, HEX 1-8 PLT
4	66085800	8	NUT, HEX 5/8-11 PLT
3	62585855	8	HHCS, 5/8-11X 5.00"
2	62584426	16	HHCS, 3/8-16 X 1.25"
1	49001064	4	KEY, 1/2" SQ X 4.00"

NOTES:  
 1: DO NOT SCALE FROM DRAWING.  
 2: ONE PIECE REQUIRED PER F61000121 & -123: CNQST 586 LH & LH/LH, ASSY.

This drawing is the property of Bluffton Agri/Industrial Corp. and must be returned immediately upon request. No part of this drawing may be reproduced, stored in a retrieval system or transmitted in any form or by any means, without the prior written consent of Bluffton Agri/Industrial Corp.

CAD  
NO MANUAL  
CHANGES

TOLERANCES  
(EXCEPT AS  
NOTED)

DECIMAL:  
.XXX ± .005  
.XX ± .030

FRACTIONAL:  
± 1/32

ANGULAR:  
± 1/2°

**CLIPPER**  
SEPERATION  
TECHNOLOGIES  
SINCE 1869

A DIVISION OF BLUFFTON AGRICORP. BLUFFTON, INDIANA, U.S.A.

FINISH: NONE  
 SCALE: 3/16  
 DRAWN BY: DJ  
 APPROVED BY: X.X.X.

DRAWING TITLE:  
ECC ASSY, 2.18" 4 BRNG AC LH

DATE: 5/6/00  
 SIZE: B  
 DRAWING NO.: F61000065  
 SHEET: 1 of 1

—	F000034	5/6/00	RELEASE XXXXXX	DJ/XX
SYM:	ECN/NPR NO:	DATE:	DESCRIPTION OF CHANGE	DRICK