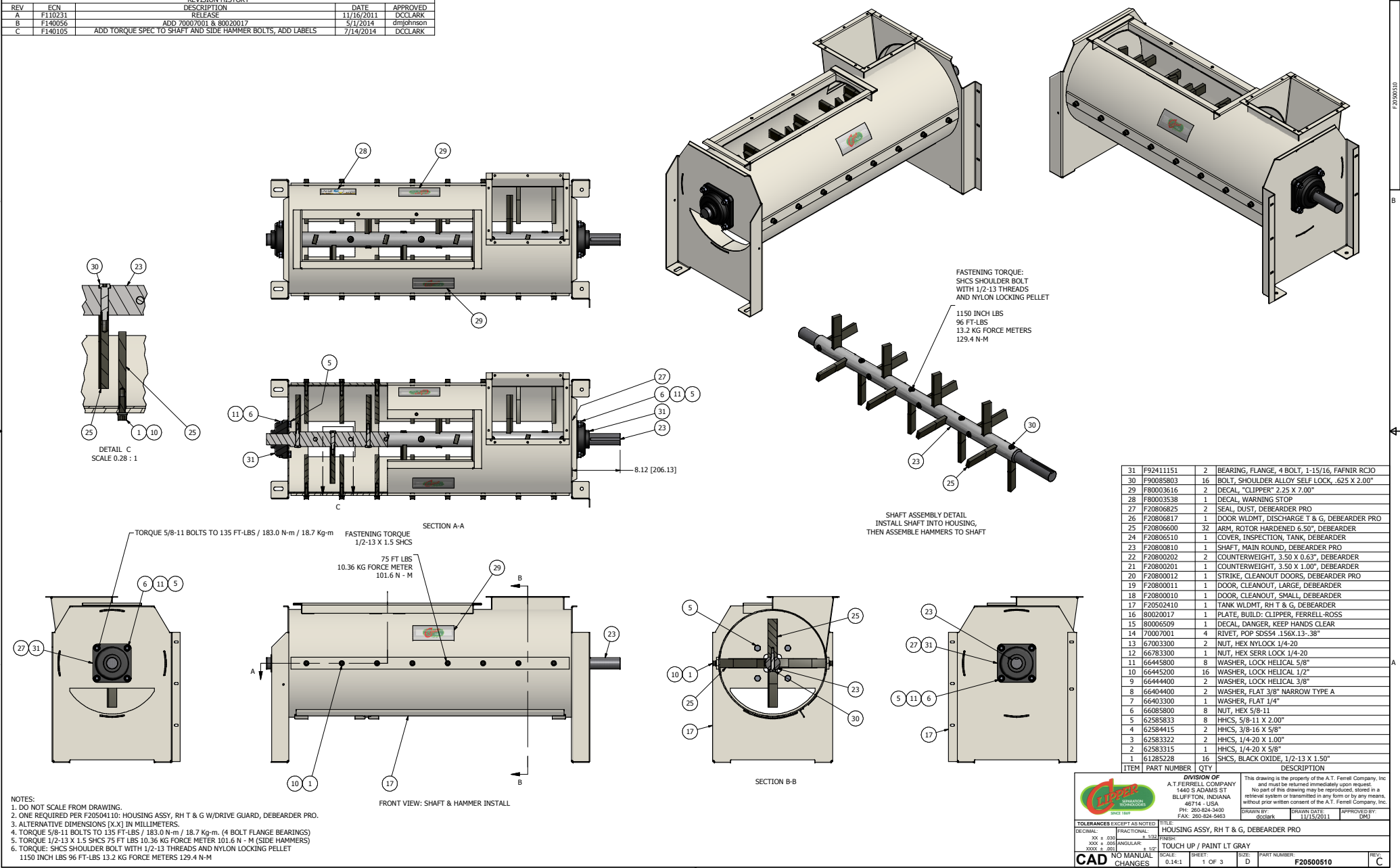


REVISION HISTORY				
REV	ECN	DESCRIPTION	DATE	APPROVED
A	F110231	RELEASE	11/16/2011	DCCLARK
B	F140056	ADD 70007001 & 80020017	5/1/2014	dmjohnson
C	F140105	ADD TORQUE SPEC TO SHAFT AND SIDE HAMMER BOLTS, ADD LABELS	7/14/2014	DCCLARK



- NOTES:**
- DO NOT SCALE FROM DRAWING.
 - ONE REQUIRED PER F20504110: HOUSING ASSY, RH T & G W/DRIVE GUARD, DEBEARDER PRO.
 - ALTERNATIVE DIMENSIONS [X.X] IN MILLIMETERS.
 - TORQUE 5/8-11 BOLTS TO 135 FT-LBS / 183.0 N-m / 18.7 Kg-m. (4 BOLT FLANGE BEARINGS)
 - TORQUE 1/2-13 X 1.5 SHCS 75 FT LBS 10.36 KG FORCE METER 101.6 N - M (SIDE HAMMERS)
 - TORQUE: SHCS SHOULDER BOLT WITH 1/2-13 THREADS AND NYLON LOCKING PELLET
 1150 INCH LBS 96 FT-LBS 13.2 KG FORCE METERS 129.4 N-M

ITEM	PART NUMBER	QTY	DESCRIPTION
31	F92411151	2	BEARING, FLANGE, 4 BOLT, 1-15/16, FAFNIR RCJO
30	F9005803	16	BOLT, SHOULDER ALLOY SELF LOCK, .625 X 2.00"
29	F80003616	2	DECAL, "CLIPPER" 2.25 X 7.00"
28	F80003538	1	DECAL, WARNING STOP
27	F20806825	2	SEAL, DUST, DEBEARDER PRO
26	F20806817	1	DOOR WLDMT, DISCHARGE T & G, DEBEARDER PRO
25	F20806600	32	ARM, ROTOR HARDENED 6.50", DEBEARDER
24	F20806510	1	COVER, INSPECTION, TANK, DEBEARDER
23	F20800810	1	SHAFT, MAIN ROUND, DEBEARDER PRO
22	F20800202	2	COUNTERWEIGHT, 3.50 X 0.63", DEBEARDER
21	F20800201	1	COUNTERWEIGHT, 3.50 X 1.00", DEBEARDER
20	F20800012	1	STRIKE, CLEANOUT DOORS, DEBEARDER PRO
19	F20800011	1	DOOR, CLEANOUT, LARGE, DEBEARDER
18	F20800010	1	DOOR, CLEANOUT, SMALL, DEBEARDER
17	F20502410	1	TANK WLDMT, RH T & G, DEBEARDER
16	80020017	1	PLATE, BUILD: CLIPPER, FERRELL-ROSS
15	80005609	1	DECAL, DANGER, KEEP HANDS CLEAR
14	70007001	4	RIVET, POP SDS54 .156X.13-.38"
13	67003300	2	NUT, HEX NYLOCK 1/4-20
12	66783300	1	NUT, HEX SERR LOCK 1/4-20
11	6645800	8	WASHER, LOCK HELICAL 5/8"
10	66445200	16	WASHER, LOCK HELICAL 1/2"
9	6644400	2	WASHER, LOCK HELICAL 3/8"
8	66404400	2	WASHER, FLAT 3/8" NARROW TYPE A
7	66403300	1	WASHER, FLAT 1/4"
6	66085800	8	NUT, HEX 5/8-11
5	62585833	8	HHCS, 5/8-11 X 2.00"
4	62584415	2	HHCS, 3/8-16 X 5/8"
3	62583322	2	HHCS, 1/4-20 X 1.00"
2	62583315	1	HHCS, 1/4-20 X 5/8"
1	61285228	16	SHCS, BLACK OXIDE, 1/2-13 X 1.50"

CLIPPER
 FERRELL-ROSS
 MANUFACTURING

DIVISION OF
 A.T. FERRELL COMPANY
 1440 S ADAMS ST
 BLUFFTON, INDIANA
 46714 - USA
 PH: 260-624-5400
 FAX: 260-624-5463

DRIVER DATE: 11/15/2011
APPROVED BY: DMJ

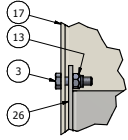
This drawing is the property of the A.T. Ferrell Company, Inc. and must be returned immediately upon request. No part of this drawing may be reproduced, stored in a retrieval system or transmitted in any form or by any means, without prior written consent of the A.T. Ferrell Company, Inc.

TOLERANCES EXCEPT AS NOTED:
 DECIMAL: FRACTIONS: FINISH:
 .XX ± .001 1/16 ± .001 1/32 ± .001
 .XXX ± .001 1/8 ± .001 1/16 ± .001

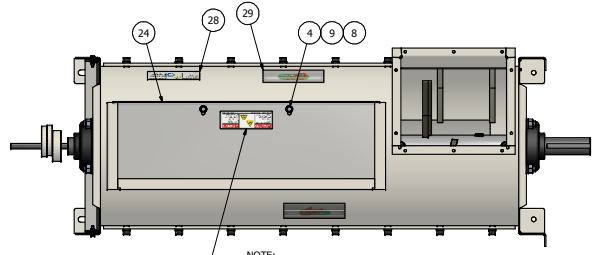
FILE: HOUSING ASSY, RH T & G, DEBEARDER PRO
FRSH:
TOUCH UP / PAINT LT GRAY

CAD NO MANUAL CHANGES
SCALE: 0.14:1
SHEET: 1 OF 3
DATE: D
PART NUMBER: F20500510
REV: C

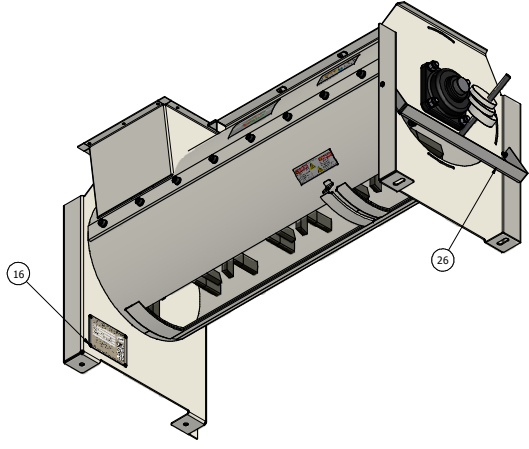
REVISION HISTORY				
REV	ECN	DESCRIPTION	DATE	APPROVED
A	F110231	RELEASE	11/16/2011	DCCLARK
B	F140056	ADD 70007001 & 80020017	5/1/2014	dmjohnson
C	F140105	ADD TORQUE SPEC TO SHAFT AND SIDE HAMMER BOLTS, ADD LABELS	7/14/2014	DCCLARK



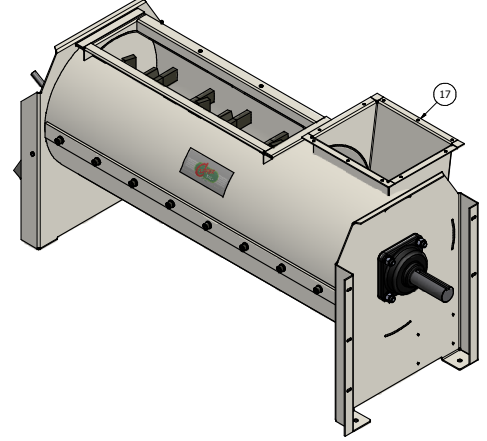
DETAIL E
 SCALE 0.5 : 1



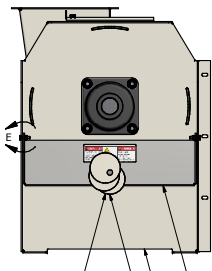
NOTE:
 WARNING LABELS ARE INCLUDED IN DOORS BILL OF MATERIALS
 TO ENSURE SHIPOUT DOORS RECEIVE WARNING LABELS



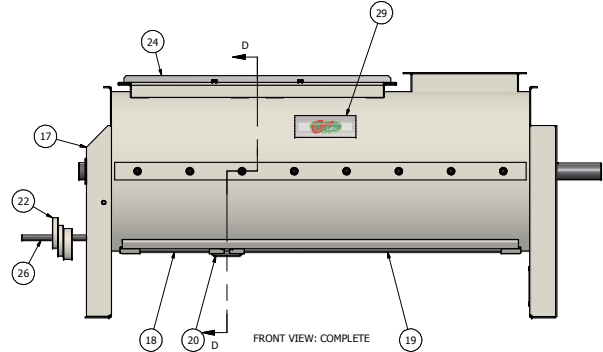
BOTTOM LEFT ISOMETRIC VIEW: DOORS SHOWN OPEN



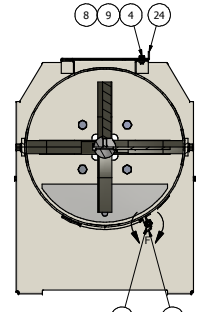
BOTTOM RIGHT ISOMETRIC VIEW: DOORS SHOWN OPEN



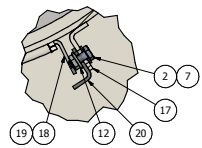
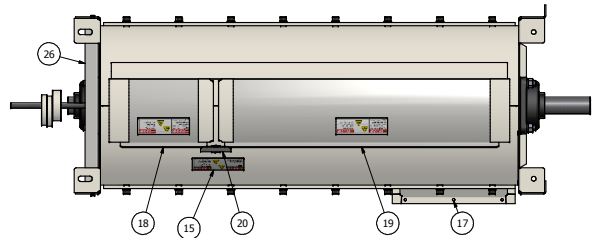
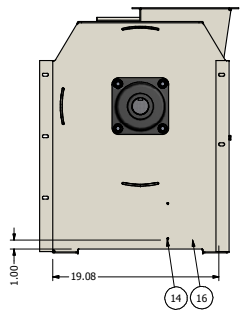
INCREASING WEIGHTS'
 DISTANCE FROM DOOR.
 WILL INCREASE PRODUCT
 RETENTION TIME



FRONT VIEW: COMPLETE



SECTION D-D



DETAIL F
 SCALE 0.5 : 1

ITEM	PART NUMBER	QTY	DESCRIPTION
31	F92411151	2	BEARING, FLANGE, 4 BOLT, 1-15/16, FAFNIR RCJO
30	F9005803	16	BOLT, SHOULDER ALLOY SELF LOCK, .625 X 2.00"
29	F8003616	2	DECAL, "CLIPPER" 2.25 X 7.00"
28	F8003538	1	DECAL, WARNING STOP
27	F2080625	2	SEAL, DUST, DEBEARDER PRO
26	F2080637	1	DOOR WLDMT, DISCHARGE T & G, DEBEARDER PRO
25	F20806600	32	ARM, ROTOR HARDENED 6.50", DEBEARDER
24	F20806510	1	COVER, INSPECTION, TANK, DEBEARDER
23	F20800810	1	SHAFT, MAIN ROUND, DEBEARDER PRO
22	F20800202	2	COUNTERWEIGHT, 3.50 X 0.63", DEBEARDER
21	F20800201	1	COUNTERWEIGHT, 3.50 X 1.00", DEBEARDER
20	F20800012	1	STRIKE, CLEANOUT DOORS, DEBEARDER PRO
19	F20800011	1	DOOR, CLEANOUT, LARGE, DEBEARDER
18	F20800010	1	DOOR, CLEANOUT, SMALL, DEBEARDER
17	F20502410	1	TANK WLDMT, RH T & G, DEBEARDER
16	80020017	1	PLATE, BUILD: CLIPPER, FERRELL-ROSS
15	80006509	1	DECAL, DANGER, KEEP HANDS CLEAR
14	70007001	4	RIVET, POP SDS54 .156X.13-.38"
13	67003300	2	NUT, HEX NYLOCK 1/4-20
12	66783300	1	NUT, HEX SERR LOCK 1/4-20
11	66445800	8	WASHER, LOCK HELICAL 5/8"
10	66445200	16	WASHER, LOCK HELICAL 1/2"
9	66444400	2	WASHER, LOCK HELICAL 3/8"
8	66404400	2	WASHER, FLAT 3/8" NARROW TYPE A
7	66403300	1	WASHER, FLAT 1/4"
6	66085800	8	NUT, HEX 5/8-11
5	62585833	8	HHCS, 5/8-11 X 2.00"
4	62584415	2	HHCS, 3/8-16 X 5/8"
3	62583322	2	HHCS, 1/4-20 X 1.00"
2	62583315	1	HHCS, 1/4-20 X 5/8"
1	61285228	16	SHCS, BLACK OXIDE, 1/2-13 X 1.50"

- NOTES:
- DO NOT SCALE FROM DRAWING.
 - ONE REQUIRED PER F20504110: HOUSING ASSY, RH T & G W/DRIVE GUARD, DEBEARDER PRO.
 - ALTERNATIVE DIMENSIONS [X.X] IN MILLIMETERS.
 - TORQUE 5/8-11 BOLTS TO 135 FT-LBS / 183.0 N-m / 18.7 Kg-m. (4 BOLT FLANGE BEARINGS)
 - TORQUE 1/2-13 X 1.5 SHCS 75 FT LBS 10.36 KG FORCE METER 101.6 N - M (SIDE HAMMERS)
 - TORQUE: SHCS SHOULDER BOLT WITH 1/2-13 THREADS AND NYLON LOCKING PELLET 1150 INCH LBS 96 FT-LBS 13.2 KG FORCE METERS 129.4 N-M

CLIPPER
 FERRELL-ROSS
 SINCE 1987

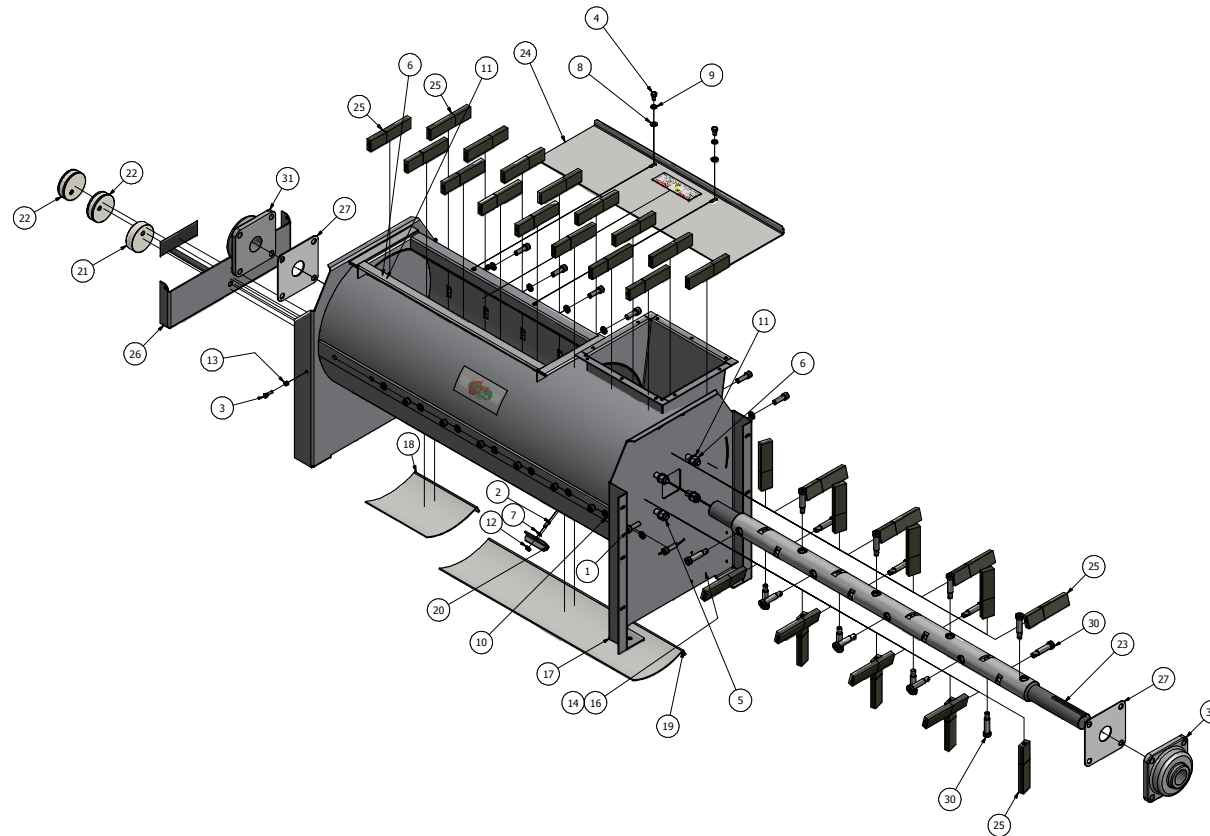
DIVISION OF
A.T. FERRELL COMPANY
 1440 S ADAMS ST
 BLUFFTON, INDIANA
 46714 - USA
 PH: 260-624-3400 FAX: 260-624-5463

This drawing is the property of the A.T. Ferrell Company, Inc. and must be returned immediately upon request. No part of this drawing may be reproduced, stored in a retrieval system or transmitted in any form or by any means, without prior written consent of the A.T. Ferrell Company, Inc.

Drawn by: dmjohnson
 Checked by: dcclark
 Date: 11/15/2011
 Approved by: DMJ


TOLERANCES EXCEPT AS NOTED:		TITLE: HOUSING ASSY, RH T & G, DEBEARDER PRO	
DECIMAL: FRACTIONS:	XX ± .001 8-1/32	FINISH:	TOUCH UP / PAINT LT GRAY
XXX ± .005	ANGULAR: ± 1/2	SCALE:	0.141: 2 OF 3
XXXX ± .001		SHEET:	D
CAD NO MANUAL CHANGES:		PART NUMBER:	F2050010

REVISION HISTORY				
REV	ECN	DESCRIPTION	DATE	APPROVED
A	F110231	RELEASE	11/16/2011	DCCLARK
B	F140056	ADD 70007001 & 80020017	5/1/2014	dmjohanson
C	F140105	ADD TORQUE SPEC TO SHAFT AND SIDE HAMMER BOLTS, ADD LABELS	7/14/2014	DCCLARK



ITEM	PART NUMBER	QTY	DESCRIPTION
31	F92411151	2	BEARING, FLANGE, 4 BOLT, 1-15/16, FAFNIR RCJO
30	F9005803	16	BOLT, SHOULDER ALLOY SELF LOCK, .625 X 2.00"
29	F80003616	2	DECAL, "CLIPPER" 2.25 X 7.00"
28	F80003538	1	DECAL, WARNING STOP
27	F20806825	2	SEAL, DUST, DEBEARDER PRO
26	F20806817	1	DOOR WLDMT, DISCHARGE T & G, DEBEARDER PRO
25	F20806600	32	ARM, ROTOR HARDENED 6.50", DEBEARDER
24	F20806510	1	COVER, INSPECTION, TANK, DEBEARDER
23	F20800810	1	SHAFT, MAIN ROUND, DEBEARDER PRO
22	F20800202	2	COUNTERWEIGHT, 3.50 X 0.63", DEBEARDER
21	F20800201	1	COUNTERWEIGHT, 3.50 X 1.00", DEBEARDER
20	F20800012	1	STRIKE, CLEANOUT DOORS, DEBEARDER PRO
19	F20800011	1	DOOR, CLEANOUT, LARGE, DEBEARDER
18	F20800010	1	DOOR, CLEANOUT, SMALL, DEBEARDER
17	F20502410	1	TANK WLDMT, RH T & G, DEBEARDER
16	80020017	1	PLATE, BUILD: CLIPPER, FERRELL-ROSS
15	80006509	1	DECAL, DANGER, KEEP HANDS CLEAR
14	70007001	4	RIVET, POP SDS54 .156X.13-.38"
13	67003300	2	NUT, HEX NYLOCK 1/4-20
12	66783300	1	NUT, HEX SERR LOCK 1/4-20
11	66445800	8	WASHER, LOCK HELICAL 5/8"
10	66445200	16	WASHER, LOCK HELICAL 1/2"
9	66444400	2	WASHER, LOCK HELICAL 3/8"
8	66404400	2	WASHER, FLAT 3/8" NARROW TYPE A
7	66403300	1	WASHER, FLAT 1/4"
6	66085800	8	NUT, HEX 5/8-11
5	62585833	8	HHCS, 5/8-11 X 2.00"
4	62584415	2	HHCS, 3/8-16 X 5/8"
3	62583322	2	HHCS, 1/4-20 X 1.00"
2	62583315	1	HHCS, 1/4-20 X 5/8"
1	61285228	16	SHCS, BLACK OXIDE, 1/2-13 X 1.50"

- NOTES:
- DO NOT SCALE FROM DRAWING.
 - ONE REQUIRED PER F20504110; HOUSING ASSY, RH T & G W/DRIVE GUARD, DEBEARDER PRO.
 - ALTERNATIVE DIMENSIONS [X.X] IN MILLIMETERS.
 - TORQUE 5/8-11 BOLTS TO 135 FT-LBS / 183.0 N-m / 18.7 Kg-m. (4 BOLT FLANGE BEARINGS)
 - TORQUE 1/2-13 X 1.5 SHCS 75 FT-LBS 10.36 KG FORCE METER 101.6 N - M (SIDE HAMMERS)
 - TORQUE: SHCS SHOULDER BOLT WITH 1/2-13 THREADS AND NYLON LOCKING PELLET 1150 INCH LBS 96 FT-LBS 13.2 KG FORCE METERS 129.4 N-M



CLIPPER
SINCE 1987

DIVISION OF
A.T. FERRELL COMPANY
 1440 S ADAMS ST
 BLUFFTON, INDIANA
 46714 - USA
 PH: 260-624-3400
 FAX: 260-624-5463

This drawing is the property of the A.T. Ferrell Company, Inc. and must be returned immediately upon request. No part of this drawing may be reproduced, stored in a retrieval system or transmitted in any form or by any means, without prior written consent of the A.T. Ferrell Company, Inc.

DESIGNED BY: dmjohanson
 DRAWN BY: dcclark
 APPROVED BY: dmjohanson
 DATE: 11/15/2011

TOLERANCES EXCEPT AS NOTED:		TITLE: HOUSING ASSY, RH T & G, DEBEARDER PRO	
DECIMAL:	FRACTIONAL:	FINISH:	SCALE: 1:1
XX ± .001	1/32	TOUCH UP / PAINT LT GRAY	SHEET: 3 OF 3
XXX ± .001	1/16		REV: C
XXXX ± .001	1/8		PART NUMBER: F20500510
CAD	NO MANUAL CHANGES		