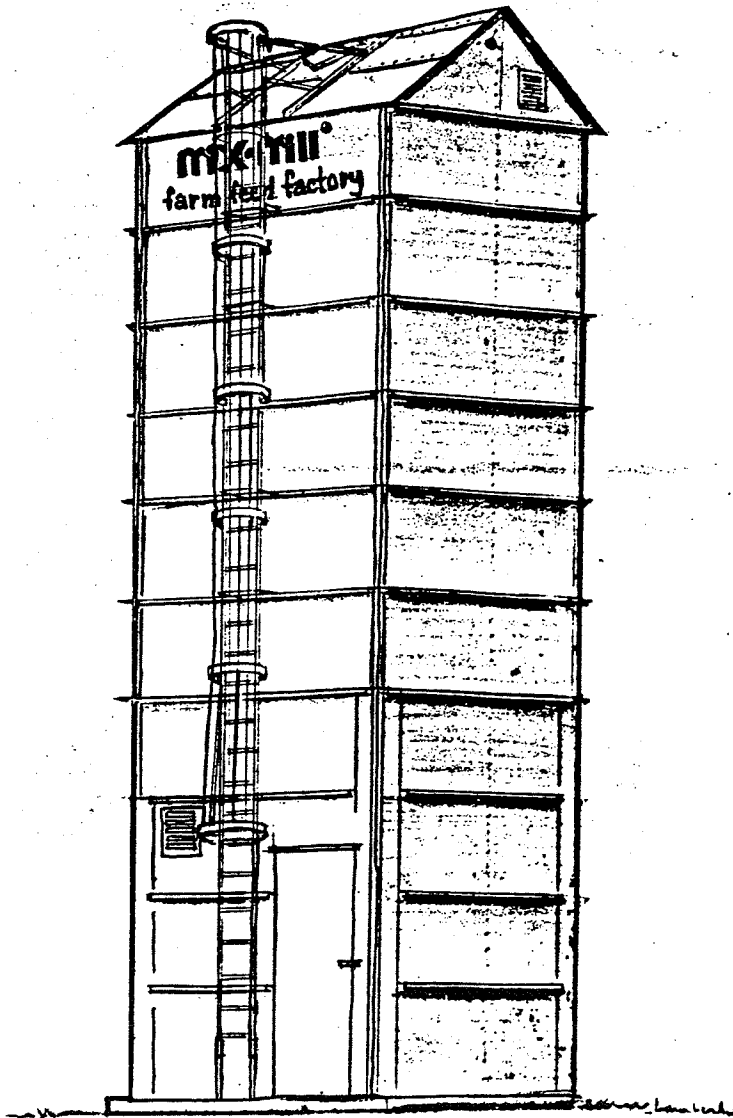


mix·mill®

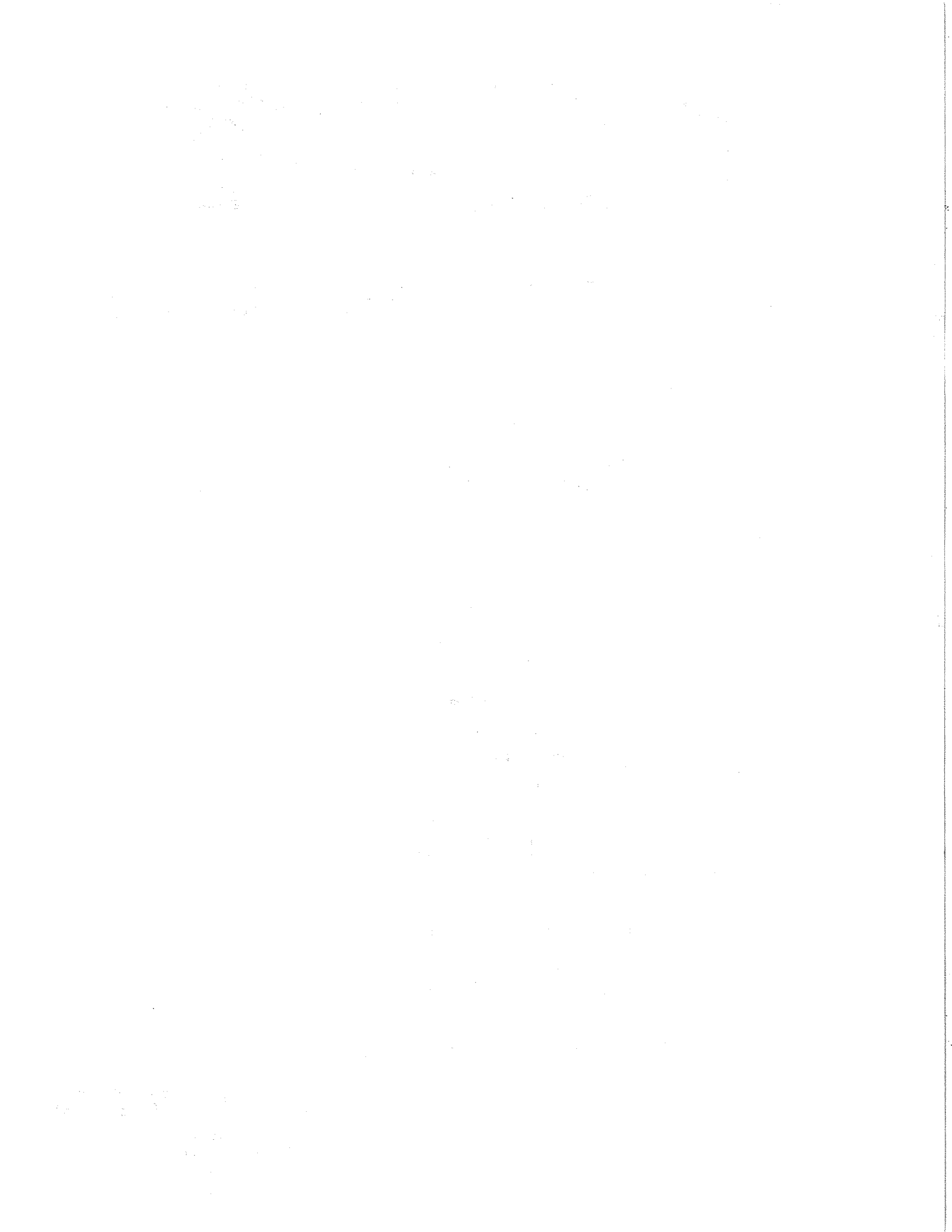
MIX-MILL Inc., Bluffton, Indiana U.S.A.

20-40 TON FARM FEED FACTORY



**CONSTRUCTION
MANUAL**

A 99960081



BE A SAFE OPERATOR

AVOID ACCIDENTS

Most accidents, whether they occur in industry, on the farm, at home, or on the highway, are caused by the failure of some individual to follow simple and fundamental safety rules or precautions. For this reason most accidents can be prevented by recognizing the real cause and doing something about it before the accident occurs.

Regardless of the care used in the design and construction of any type of equipment, there are many conditions that can not be completely safe guarded against without interfering with reasonable accessibility and efficient operation.

A CAREFUL OPERATOR IS THE BEST INSURANCE AGAINST AN ACCIDENT.

**THE COMPLETE OBSERVANCE OF ONE SIMPLE RULE WOULD PREVENT MANY THOUSAND SERIOUS INJURIES EACH YEAR.
THAT RULE IS:**

NEVER ATTEMPT TO CLEAN, OIL, OR ADJUST A MACHINE WHILE IT IS IN MOTION!

"NATIONAL SAFETY COUNCIL"

MIX-MILL,[®] INC. has made every effort to provide safe equipment, however, the following precautions should be carefully observed!

1. Disconnect main service switch before removing any housing covers or electrical boxes or switches.
2. Ground the mill frame to a ground rod driven six (6) feet into moist soil.
3. Ground any augers to feeders where livestock might contact either augers or feeders.
4. Keep all shields and covers in place.

Warranty

Mix-Mill,[®] Incorporated, warrants each new product of its manufacture when purchased from an authorized representative for a period of one year from the date of delivery to the Purchaser-User or 1500 hours of operation, whichever ever occurs first. This warranty shall apply to all parts and workmanship (except products or components not manufactured by Mix-Mill[®]) which shall appear to Mix-Mill[®] to have been defective in manufacture. Mix-Mill[®] 's sole and entire obligation under such warranty shall be satisfied by shipment to the Purchaser-User without charge, (except for transportation costs which shall be paid by Purchaser-User) of the part or parts, returned for inspection and parts intended to replace those acknowledged by Mix-Mill[®] to be defective. This warranty shall not apply and shall be void under the following conditions:

- (1) IF THE PRODUCTION IS TRANSPORTED FROM ORIGINAL INSTALLATION SITE.
- (2) IF THE PRODUCT IS INSTALLED OR ASSEMBLED BY OTHER THAN FACTORY TRAINED AUTHORIZED DISTRIBUTOR SERVICE PERSONNEL.
- (3) IF ANY PART OF THE PRODUCT HAS BEEN ALTERED, MODIFIED OR CHANGED, EXCEPT AT MIX-MILL'S FACTORY OR IS AUTHORIZED BY IT IN WRITING.
- (4) IF ATTACHMENTS OR DEVICES UNSUITABLE TO THE PRODUCT HAVE BEEN USED ON OR IN CONJUNCTION WITH THE PRODUCT.
- (5) IF THE PRODUCT HAS NOT BEEN INSTALLED, USED, OPERATED, HANDLED OR SERVICED IN ACCORDANCE WITH THE APPROPRIATE INSTRUCTION MANUAL.

Mix-Mill[®] reserves the right to make changes in design or improvements in its products without any obligation whatsoever to prior Purchaser-User of such products.

Mix-Mill[®] will pass on to a Purchaser-User only such warranty as it shall receive on products or components not of its manufacture from the manufacturer or supplier thereof.

This warranty is expressly in lieu of any other express or implied warranties, including any implied warranty of merchantability of fitness, and of any other obligation on the part of Mix-Mill[®] , and may not be altered, modified or changed in any way except by a writing signed by an officer of Mix-Mill.[®]

Mix-Mill[®] shall not be liable for any loss or damage, directly or indirectly arising from the use of its products or otherwise, or for any special or consequential damages of any nature.



MIX MILL, INC., Bluffton, Indiana 46714

Dear Mix-Mill Owner/Operator

Thank you for purchasing a Mix-Mill Farm Feed Factory. More than twenty years experience in the manufacture of feed milling equipment has made Mix-Mill the leader in the field of electric powered, on-the-farm feed making systems and grain storage.

This owner's manual will aid in assembling a large Farm Feed Factory in a manner consistent with sound, safe construction procedures.

Other quality products from Mix-Mill, along with this feed factory, will produce a complete system to store and move grain and make, move and store finished feed.

For further information on products and usage, please contact your Mix-Mill dealer. He can help you obtain information on this and other Mix-Mill equipment and parts and planning further growth.

Sincerely,

MIX-MILL, INC.

20/40 TON FARM FEED FACTORY

INTRODUCTION:

This manual has been prepared to help you to properly assemble your new Mix-Mill farm feed factory.

PLEASE READ THIS MANUAL *BEFORE* STARTING YOUR CONSTRUCTION.

There are many parts required for the assembly of this structure. These parts have been designed and manufactured of the finest available materials. When properly assembled, they will make a structure that will be rustproof, waterproof and long lasting.

Please refer to the individual identification drawings located at the back of this manual when unloading and checking out your building. Any damage or shortage should be noted on the freight bill before accepting the shipment, and claims for shortage or damage should be filed with the trucking company. Also, notify the dealer that you purchased the equipment from.

NOTE: THESE INSTRUCTIONS ARE INTENDED TO SERVE AS A GUIDE TO COVER AS MANY CONTINGENCIES AS POSSIBLE IN THE CONSTRUCTION OF YOUR FARM FEED FACTORY AND SHOULD BE FOLLOWED CLOSELY.

These instructions have been compiled using the knowledge gained in the construction of thousands of buildings. Failure to follow these directions can seriously affect the quality of your structure and also your factory warranty.

UNLOADING, CHECKING AND STORAGE:

A shipping or packing list is included in the manual and will be found on pages 31-35. Use of this packing list will enable you to check off and identify each part in the shipment.

DO NOT DISCARD ANY BAGS, CARTONS, PACKAGES, ETC. UNTIL ALL PARTS HAVE BEEN ACCOUNTED FOR.

NOTE: Storage of galvanized materials should be indoors and preferably in a heated building. Subjecting galvanized materials to changing temperatures and humidity conditions can lead to a "white rust" oxidation caused by galvanic action of the metal and humidity. A special coating was applied at the factory to minimize the possibility of this "white rust" oxidation occurring—but precautions should be taken on site.

Mix-Mill will not be responsible for "white rust" oxidation damage to any galvanized parts during shipping or storage. GALVANIZED METAL WILL NOT OXIDIZE ON A SURFACE THAT IS EXPOSED TO AIR.

Do not use plastic film to cover any galvanized material!!!

PRE-ERECTION PROCEDURES:

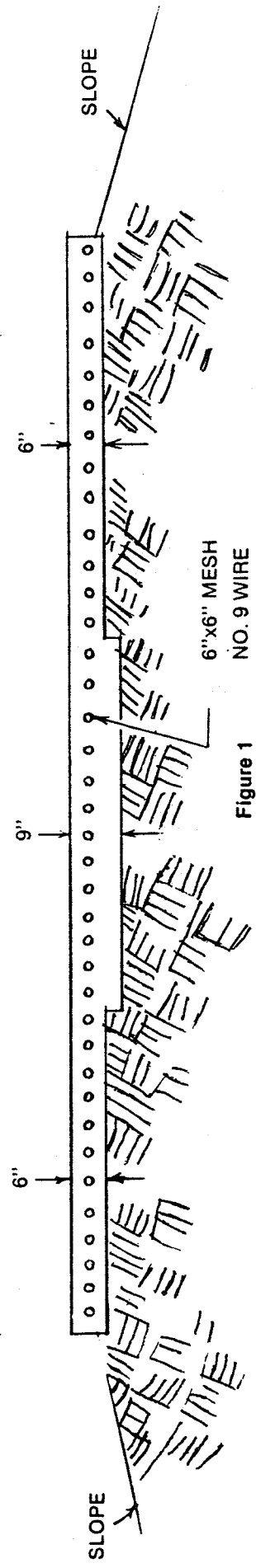
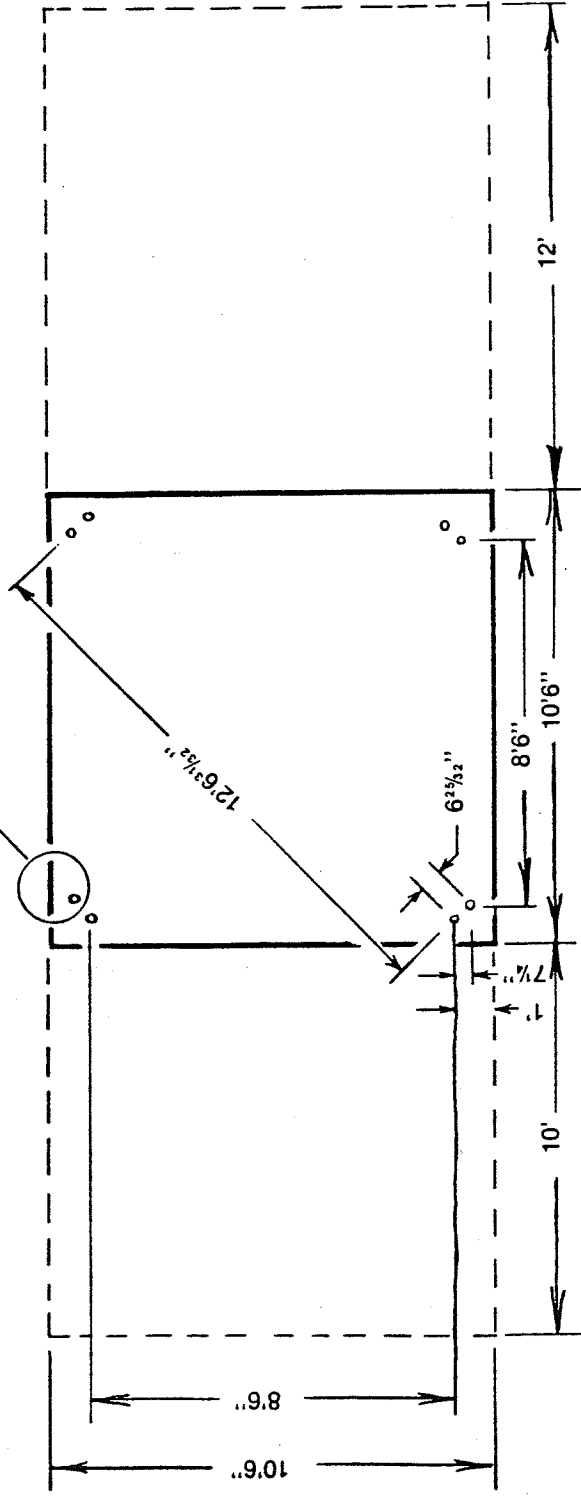
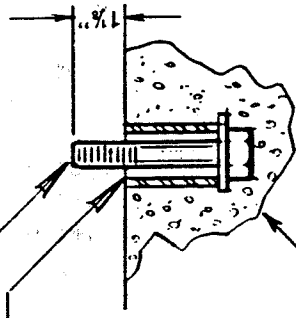
A soil load bearing test should be conducted to insure that the site selected will support your F.F.F. This test should be made at frost line and a minimum acceptable test pressure of 5000 P.S.I. should be obtained. Failure to make this test or to obtain the minimum 5000 P.S.I. reading could lead to future structural damage to the building.

NOTE: DO NOT SELECT A SITE THAT IS SUBJECT TO FLOODING OR STANDING WATER.

If these conditions exist special precautions must be taken by the builder to prevent future problems. The Mix-Mill engineering department should be contacted for instructions to insure a proper foundation.

A-3022 ANCHOR BOLT ASSEMBLY

A-3025 TUBE (8 REQ'D)



6"x6" MESH
NO. 9 WIRE

Figure 1

CONCRETE:

Use parts package 9303-1531 for anchor hardware. Refer to the standard foundation layout drawing on page 4, Figure #1. These instructions should be followed using a proper concrete mix, rebar as required, and steel reinforcing wire as specified. Install the anchor bolts as shown in the foundation layout.

BOLTS AND SCREWS:

A special neoprene head bolt is furnished for the assembly of your F.F.F. Two lengths are provided and should be used where specified in the following instructions. Unless otherwise specified these machine bolts should be installed with the neoprene head to the *outside* on all *vertical joints* and roof panels, and to *inside* of building on all *horizontal joints*.

SPECIAL NOTE: The bolt head must be held securely during any tightening operation while the nut is tightened using an impact wrench. **DO NOT TIGHTEN ANY BOLTS OR NUTS UNTIL INSTRUCTED TO DO SO.**

CAULKING:

Leakage of a farm feed factory can and will occur unless the proper caulking is used and the cor-

rect procedures are followed during construction. It is much simpler and much less expensive to caulk properly as the parts are assembled than to try to correct a leakage problem. Please follow these simple rules:

- A. Follow the step-by-step instructions and use caulking in all areas specified.
- B. Wipe off any excess oil or dirt from the caulking surface **before** applying the caulking.
- C. Use only the caulking as supplied by Mix-Mill or an equivalent type material. Two types of caulking are being supplied by Mix-Mill with their buildings. They are as follows:
 1. Silastic— 8001-1501—for use with a caulking gun.
 2. Strip type— 9304-1586

CONSTRUCTION AIDS AND HAND TOOLS:

NOTE: For greatest efficiency during construction, a crew of either three or five men is recommended. We also recommend that each man be furnished with a hard hat during construction. The following hand tools should be readily available.

ITEM#	QTY.	DESCRIPTION
1	2	Heavy duty reversible electric impact wrenches
2	2	1/2" heavy duty impact sockets
3	6	Long shank tapered pin punches 3/16" end diameter
4	2	Long shank tapered pin punches 1/4" end diameter
5	1	Transit
6	1*	Mix-Mill scaffold plank kit 9200-0028
7	2	50' three wire extension cords
8	2	16 or 20 ounce ball peen hammers
9	1	3/8" or 1/2" heavy duty electric drill
10	1	Assorted drill bits
11	1	50' steel tape
12	1	Chalk line
13	1	Acetylene torch
14	75 ft.	1/2" manila or nylon rope, with a pulley, and hooks suitable for pulling sheet metal parts from ground level to the top of the scaffolding
15	1	Set of 3/8" or 1/2" drive sockets
16	1	Nail apron for each crew member.

STAGING:

Sufficient staging (scaffolding) will be required for the assembly of the exterior of the building. Staging will usually be used on two sides of the building to heights of approximately 20' for a twenty ton and 28' for a forty ton building. The staging should extend on each side of the 114" wide building to provide support for planking for the two remaining building sides.

*The 9200-0028 scaffold plank kit provides heavy duty clips and hardware needed to assemble eight scaffold boards for using inside the structure. Instructions included in each package.

CONSTRUCTION:

The following list of parts and hardware will be required for the assembly of the lower sub-structure of your Farm Feed Factory.

All hardware (nuts and bolts) packages are listed below to help you locate and identify your parts.

ITEM NO.	QUANTITY REQUIRED	PART NO.	DESCRIPTION
1	4	1027-5800	Angle, main support
2	4	9000-0580	Leg assembly
3	8	9302-9820	Gusset assembly
4	1	9303-1570	100—5/16-18 x 1¼" bin bolt
5	As Req.	9303-1560	800 5/16-18 x ¾" bin bolt
6	As Req.	9303-1580	200 5/16-18 x ¾" bin bolt
7	As Req.	9307-2501	475 5/16-18 x ¾" bin bolt
8	As Req.	9303-1590	2150 5/16-18 Hex nuts
9	As Req.	9303-1600	800 5/16-18 Hex nuts
10	As Req.	9303-1610	475 5/16-18 Hex nuts
11	1	9303-6141	Ventilator Package
12	1	9303-1531	Anchor hardware package
13	1	9307-2511	200 5/16-18 Hex nuts
14	4	1120-0530	corner leg reinforcing angle
15	1	9200-0412	4 compartment center hopper

Fill your nail aprons with the 3/4" long bin bolts and the 5/16-18 nuts. Next place two of the number 90000580 leg assemblies on top of the foundation as shown in Figure #2 page 7. Next assemble one of the main support angles 1027-

5800 to the top of the two leg assemblies. Place a 9302-9320 gusset as shown and assemble. Repeat for the assembly of the second gusset on the other leg. The gussets should have the flanges towards the inside of the building.

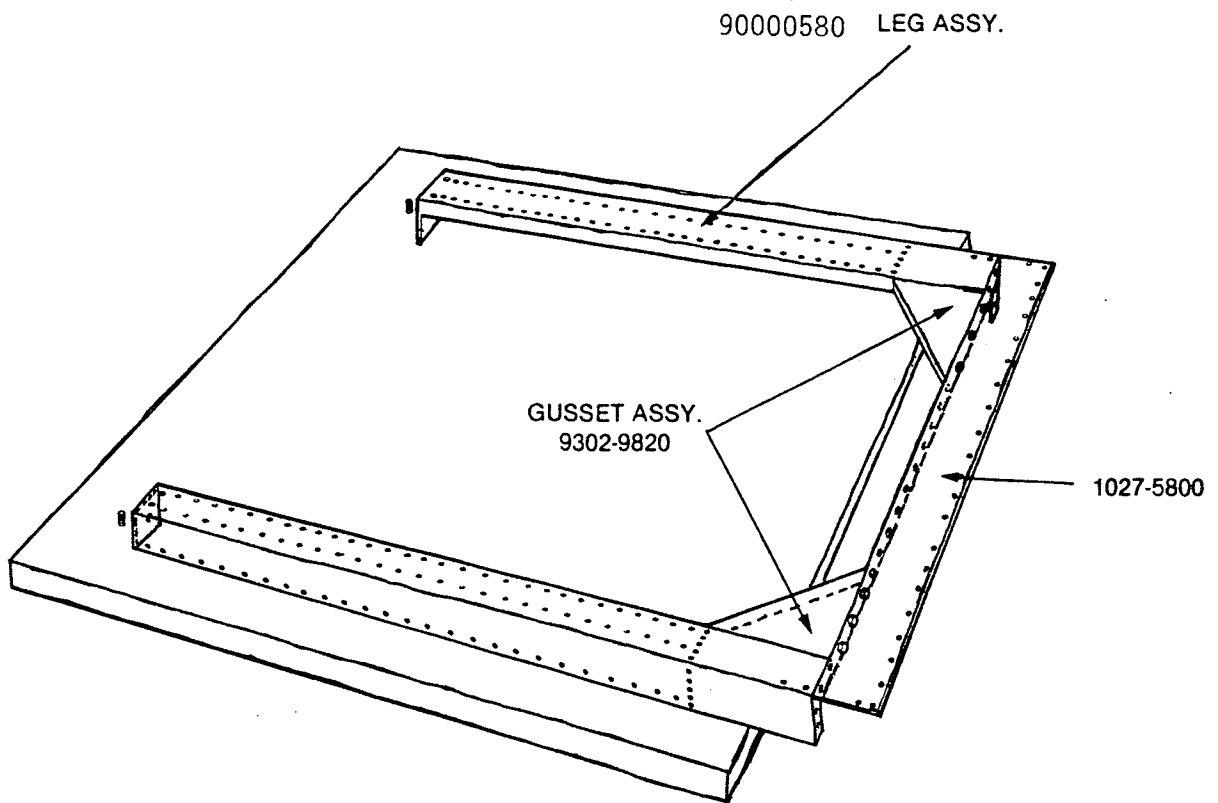


Figure 2

Next lift this completed assembly, keeping the leg (bolt down) plates, on the concrete foundation. Place each leg over an anchor bolt and hold in place with a 5/8" flat washer 6640-5600 and a 1/2" flat washer 6640-5200 and a 6608-5200-

1/2"-13-hex nut. Snug down the nut only enough to hold the assembly in place.

Repeat the above procedure for the assembly and installation of the third and fourth legs.

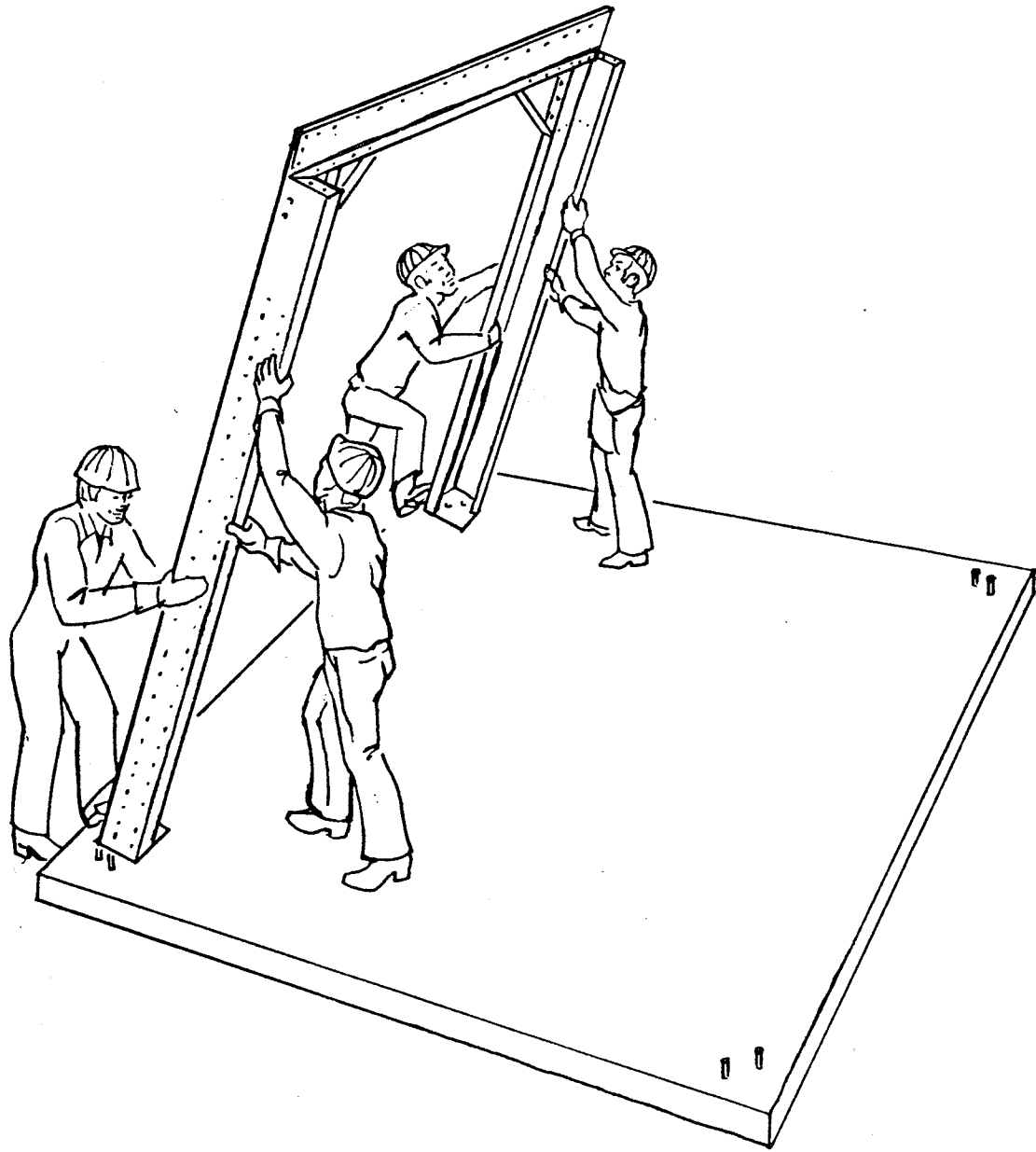


Figure 6

Referring to the drawing in figure #3 on page 9 assemble the two remaining main support angles and also the remaining gusset assemblies. At

this time you should now have assembled all four legs, four main angles and eight gusset assemblies.

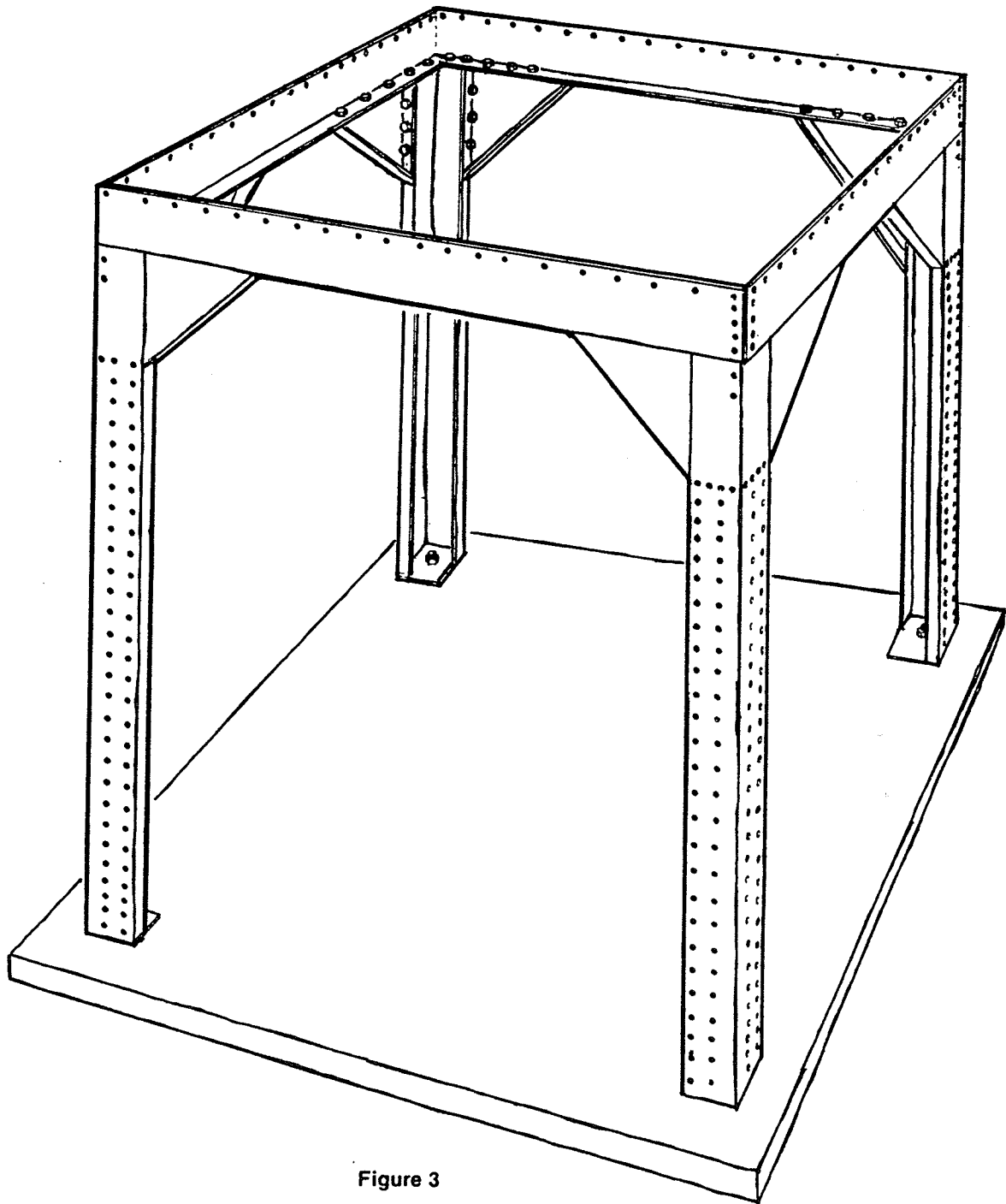


Figure 3

SQUARING THE FRAMEWORK:

The following procedures are most critical to insure a proper structure and to minimize hole alignment problems during the remaining construction. The transit should be used to check out your framework at this time. Should one leg

be lower than the others, due to an unlevel condition in the concrete, we suggest you use a full-size metal shim plate under the short leg. Repeat until all legs are the same height on your transit readings.

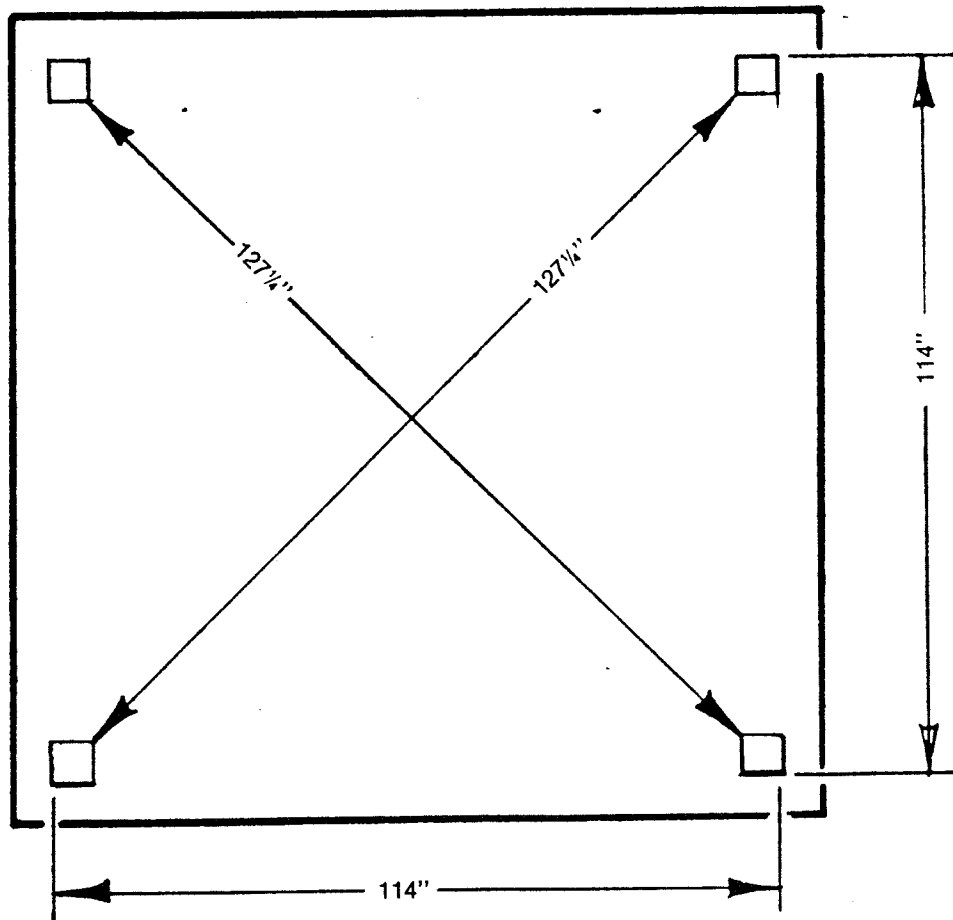
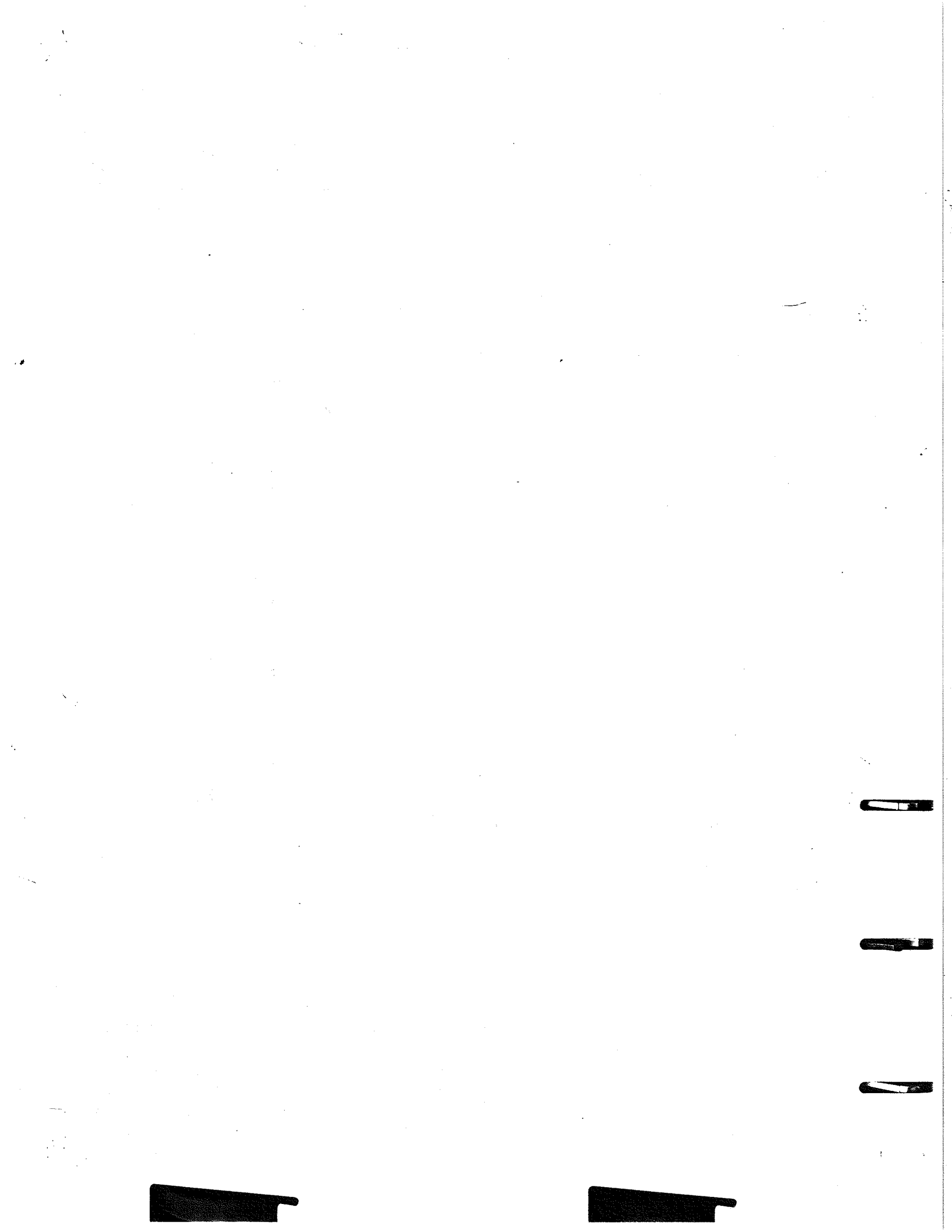


Figure 4

After the framework has been leveled move the individual legs as needed to obtain the dimensions as shown in figure #4 page 10. It is important that you maintain a square building as shown by the diagonal figures as well as maintaining the 114" outside dimensions. Snug down all four corner leg nuts. A tolerance of plus or

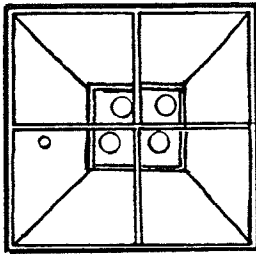
minus 1/8" is permissible, on the dimensions shown in figure #4.

You must now decide the location of the entrance door and location of the mill discharge auger. If a hi-cap auger or elevator fill system is being installed the location of these items should be planned so as not to interfere with each other.



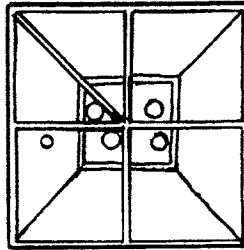
90000092

4 COMPARTMENT



90000093

5 COMPARTMENT



90000094

6 COMPARTMENT

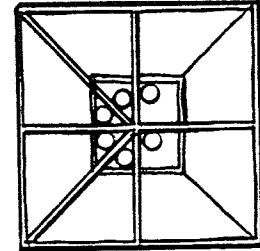


Figure 6

CENTER HOPPER LAYOUTS

Assemble the long divider panel 1029-2200 figure #8 Page 14. Make sure the panel edge is lapped on the side opposite the spinner housing. This should place the 1029-2200 long panel along the top of the long divider panel of the center hopper. Bolt in place using the standard short bin bolts and nuts.

Next place one each of the hopper bottom an-

gles 1029-1901 and 1029-1902 as shown in the "angle assembly sketch" figure #8 page 14. The bottom edges of these two angles should be flush with, but not overlap the center hopper divider panel. These two angles should follow the angle pattern of the outer edge of the 1029-2200 divider panel. Bolt together with standard bin bolts and nuts. Omit the top bolt and nut in the hopper panel.

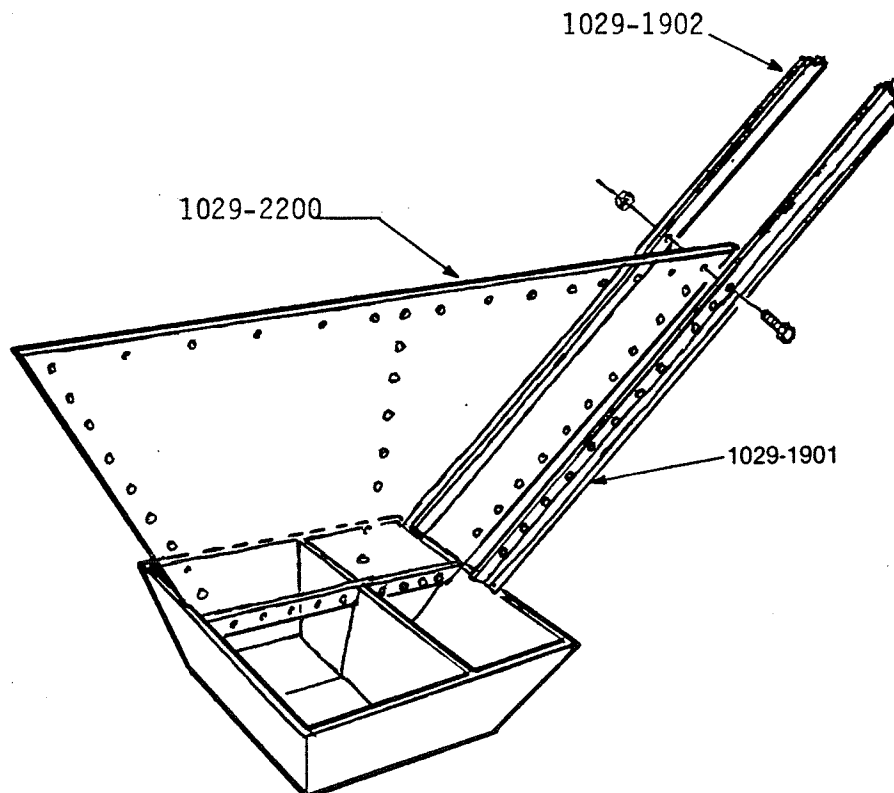


Figure 7

The following parts will now be needed to assemble the hopper bottom of the feed factory:

FOR A FOUR COMPARTMENT BUILDING

ITEM #	QTY.	PART NO.	DESCRIPTION
1	1	9200-0412	Center Hopper-4 Compartment
2	4	1029-1400	Panel, Top Hopper (2914)
3	4	1029-1500	Panel, Middle Hopper (2915)
4	4	1029-1600	Panel, Lower Hopper (2916)
5	4	1029-1700	Angle, Hopper-corner (2917)
6	4	1029-1901	Angle, Hopper Divider (2919-01)
7	4	1029-1902	Angle, Hopper Divider (2919-02)
8	2	1029-2400	Angle, Hopper Divider Center (2924)
9	1	1029-2200	Panel, Lower Divider-Long (2922)
10	2	1029-2300	Panel, Lower Divider-Short (2923)
11	4	1029-2500	Channel, hopper reinforcement (2925)
12	2	1029-2100	Divider panel, upper hopper-short (2921)
13	1	1029-2000	Divider panel, upper hopper-long (2920)
14	1	9200-0477	Support Assembly

*OPTIONAL EQUIPMENT—Order Separately.

NOTE: For construction of five or six compartment FFF refer to page 25 for obtaining the part numbers of the parts that are to be substituted for the above parts. Construction procedures will be the same for all buildings unless special instructions have been given.

CONSTRUCTION PROCEDURE:

Set the 9000-0412 center hopper assembly on the 9200-0477 support assembly. Place this assembly approximately in the center of the concrete. Measure to each corner leg of the center hopper to a corner leg of the FFF structure. Center if necessary. Make sure the center hopper section containing the spinner tube housing is placed where it will be convenient to operate. When assembled this will be the device that will orient the spinner spout in the top of the FFF for fill-

ing each compartment. Refer to the center-hopper layout diagram in figures #6 Page #13.

***NOTE** This support assembly is used only to facilitate construction of the upper and lower enclosure sections of the building. It is not a permanent part of your farm feed factory and will be removed. On the remaining construction **DO NOT TIGHTEN ANY BOLTS AND NUTS UNTIL THE ENTIRE STRUCTURE HAS BEEN ASSEMBLED.**

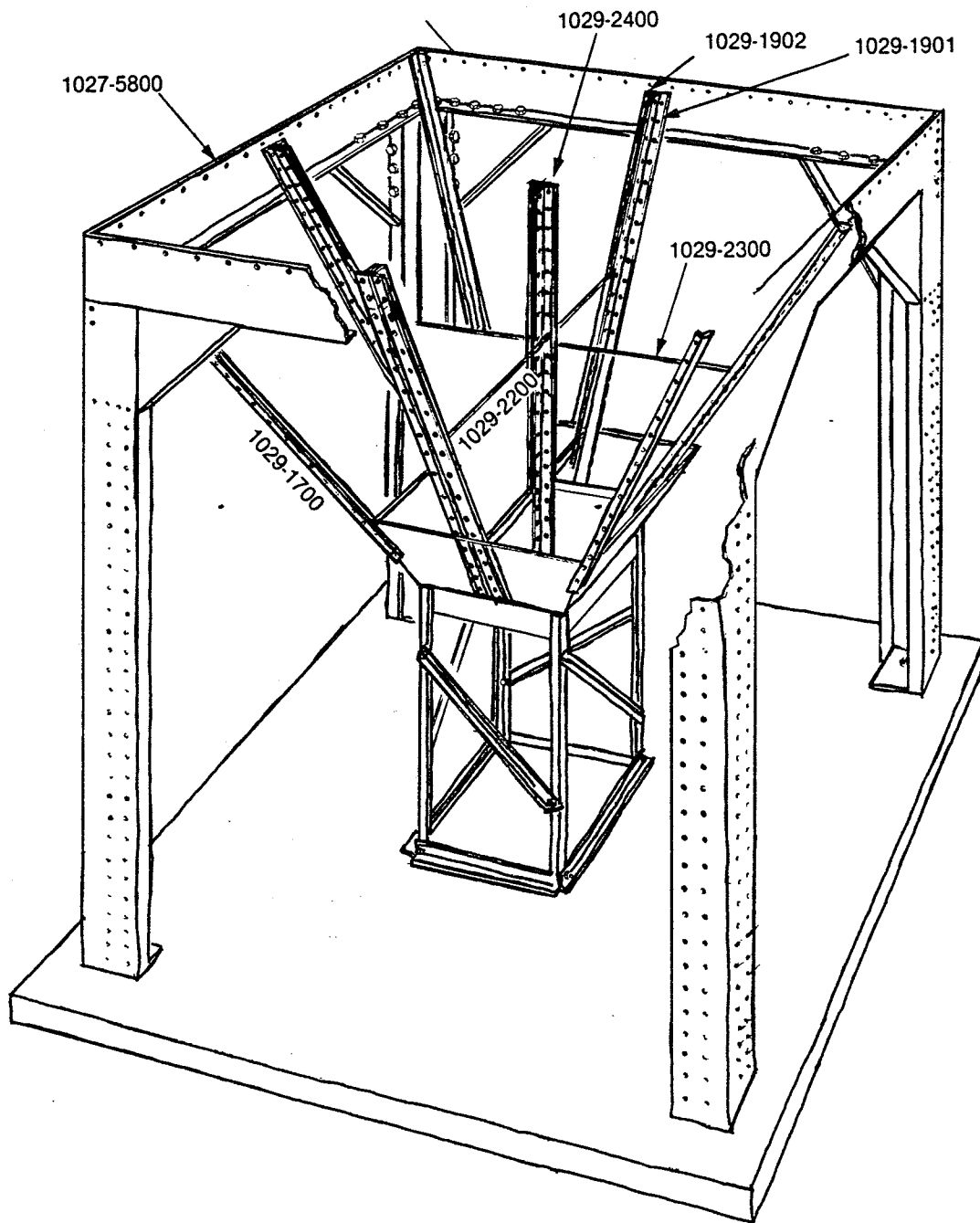


Figure 8

Next bolt two 1029-2400 divider angles to the center of the 1029-2200 panel. These angles should be flush with the top of the center hopper but should not overlap the center hopper. These two center divider angles provide support for the two short divider panels 1029-2300 panels to be installed next. After one of the 1029-2300 panels has been bolted to the center hopper and center divider angles you can then install the second 1029-2300 on the opposite side. Lap panels in a clockwise direction.

Next install the remaining 1029-1901 and 1029-1902 hopper divider angles to the outside edge of each 1029-2300 panels. These angles should be installed exactly as you installed the two previous sets of angles to the 1029-2200 long divider panel.

All 1029-1901 and 1029-1902 angles should be flush with the top of the 1027-5800 main support angles. The 1029-2400 center support angles should also be flush with the 1027-5800 main support angles.

Do not assemble bolts in the top row of holes in any panels installed. The reason for omitting these bolts is because the next panel to be installed thru both panels.

Next install a 1029-1600 lower hopper panel to the center hopper with the lower edge inside the center hopper. The notch in the panel will slip down over the welded in partition of the center hopper.

Repeat the above procedure to install the three remaining 1029-1600 lower hopper panels. Bolts and nuts should be assembled in the 1029-1600 panels and thru the 1029-1901 and 1029-1902 divider angles installed previously. Leave the bolts out of the holes in line with the top row of holes on the panel.

The next step is to install a 1029-1700 hopper corner angle at each corner junction of the 1029-1600 panels. The pointed (angled) end of the 1029-1700 corner angles must be placed up, and the square corner ends must be placed over the outside corners of the centerhopper. Align the holes in the bottom of the angles and the center hopper and install bolts and nuts.

At this point recheck the center hopper and angles already assembled and move the assembly if necessary to insure alignment of the corner angles and the outer legs of the FFF structure.

Next assemble the four 1029-1500 center hopper panel sheets making sure that these panels are lapped inside of the 1029-1400 panels previously installed.

Next install the four 1029-1400 upper hopper enclosure panels using the same procedures that was described previously. Install only two or three bolts in this panel to the upper 1027-5800 upper main angles. These bolts are only temporary and will be removed when installing the upper enclosure panels.

Next install the long hopper divider panel 1029-2000 between the two center divider angles 1029-2400. This panel should be installed by overlapping the bottom edge over the 1029-2200 long hopper panel previously installed. Next install the two 1029-2100 short hopper panels as previously described. All panels should now be flush with the top of the outside main angles and the center hopper divider angles.

Next install the 1029-2500 hopper reinforcing angles. There will be one of these hopper angles in each compartment. Viewed from the outside of the structure the angle should be on the left side of the panel. Install an angle where the two panels overlap and with the 45° angle toward the center of the building. The bin bolts will be assembled thru both panels and the angles.

Install the three remaining angles in the other compartments. Install bolts in all remaining holes except the top row of holes in the main support angle around the top of the substructure. These procedures complete the lower hopper substructure assembly. Check each inside corner of the substructure and caulk to prevent dust leakage down into the farm feed factory mill area.

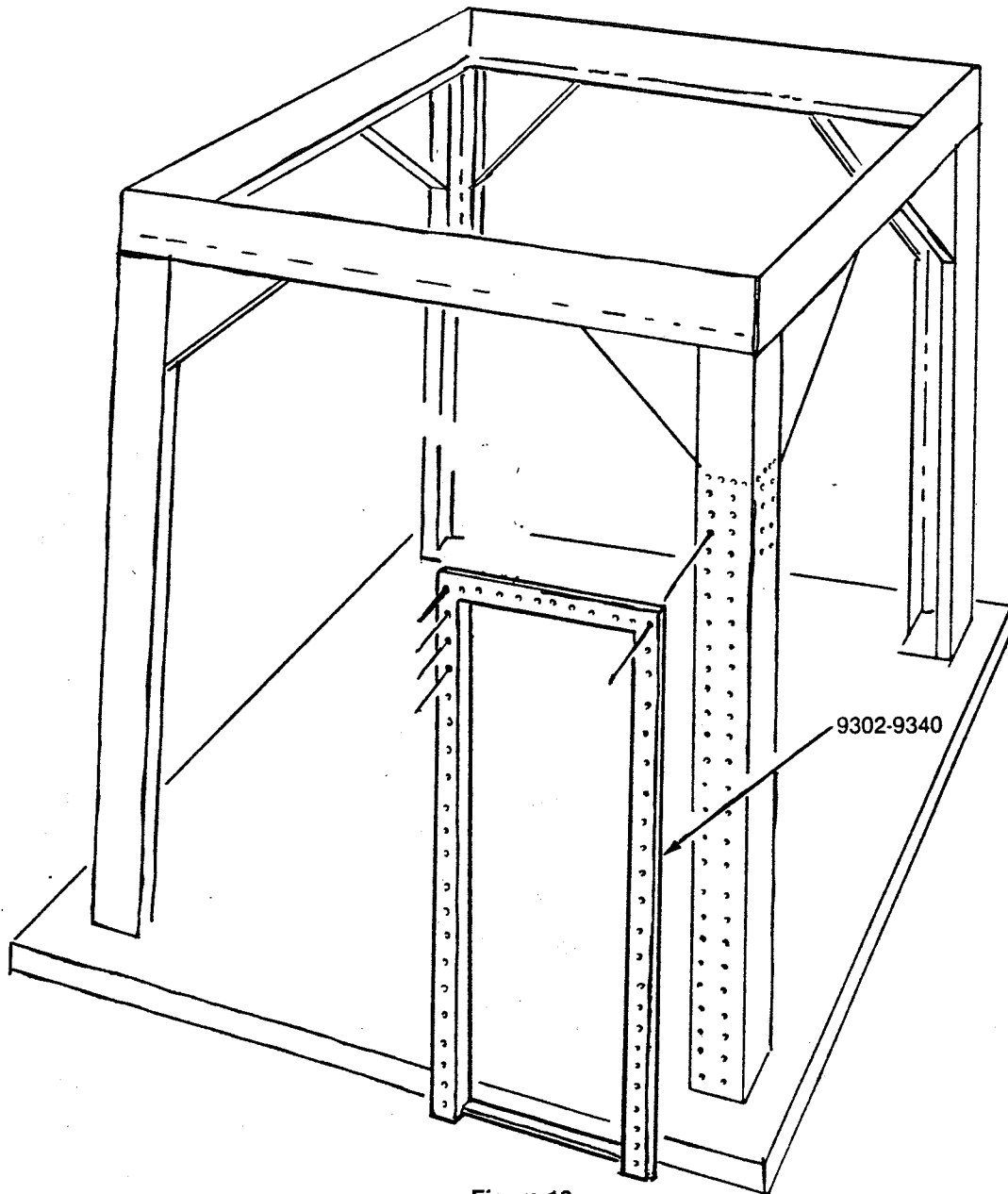


Figure 10

Determine the side that the entrance door will be located on, and attach the 9302-9340 door frame to the right leg as shown in the enclosure drawing, figure #10 page 17.

Next apply a liberal coating of an asphalt base roof cement (buy locally) to the bottom of the three inch lip of the 1029-2900 bottom enclosure panel. With the lip to the outside of the building, assemble this panel to the left corner leg and to the entrance door frame.

Next assemble a 11203560 enclosure panel with the lap over the outside of the 1029-2900 bottom enclosure panel just installed. Also at this

time install a 1048-6200 reinforcing channel over the lap joint of these two panels.

Next assemble a 8001-7505 ventilator in the 11210840 top enclosure panel as shown in the drawing. The louvers of the ventilator should point down when the panel is assembled. Make sure the louver is placed correctly and then secure to panel by bending over each edge flap. This may be done with a short 2" x 4" and a hammer. Install the 11210840 panel with the lap over the outside of the 1029-3100 panel. Also install the reinforcing channel at the junction of the two panels.

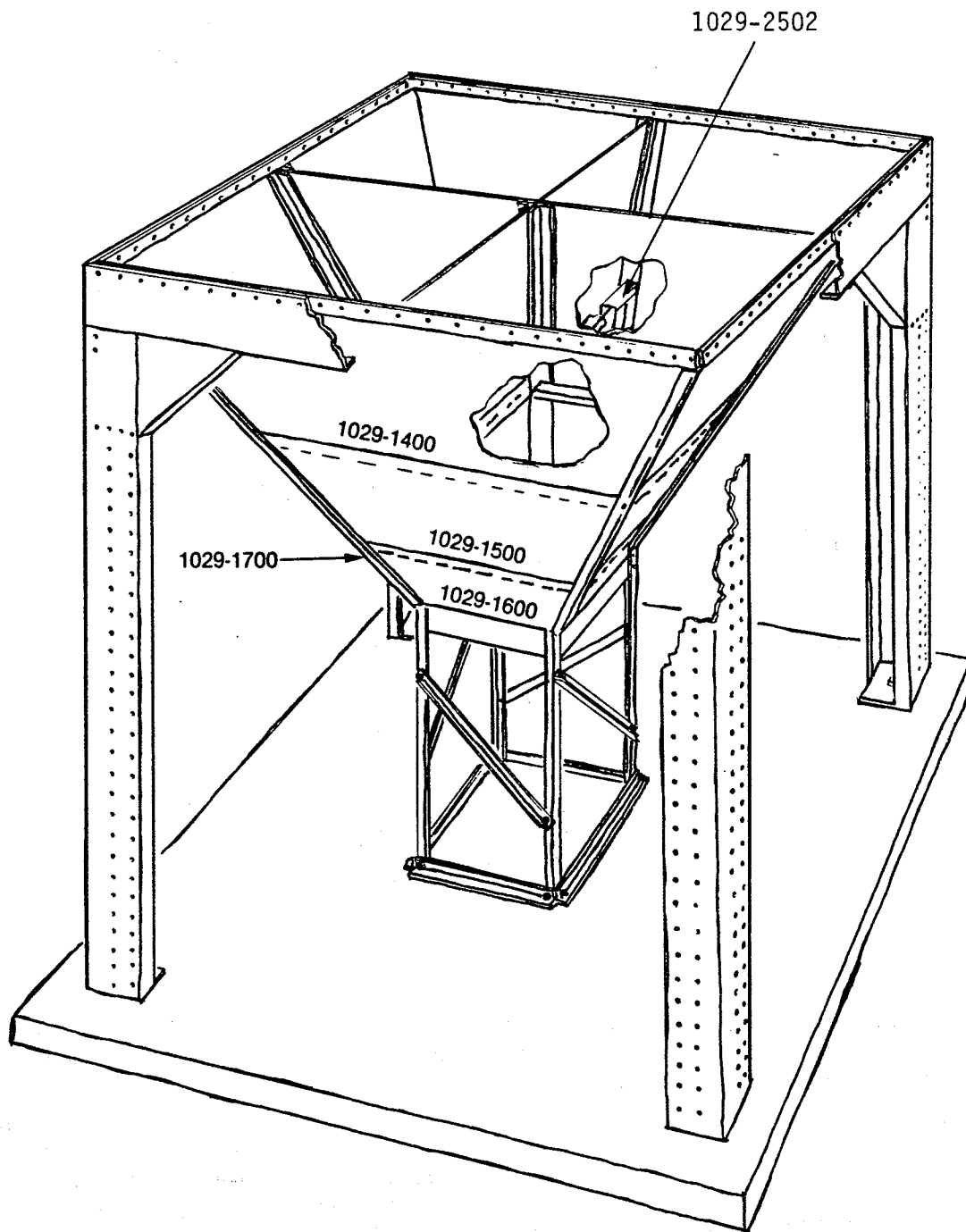


Figure 9

DIVIDER ANGLES				
No. of Tiers	Lower angles at Building wall	Upper angles at Building wall	Lower angles at Center of Divider	Upper angles at Center of Dividers
3	1027-6300	None	1027-6300	None
6	11276300	1027-6300	1027-6300	1027-6300

CORNER ANGLES				
No. of Tiers	Lower Outside	Upper Outside	Lower Inside	Upper Inside
3	9303-0090	None	1027-6500	None
6	1030-0700	1029-9700	1030-0800	1027-6500

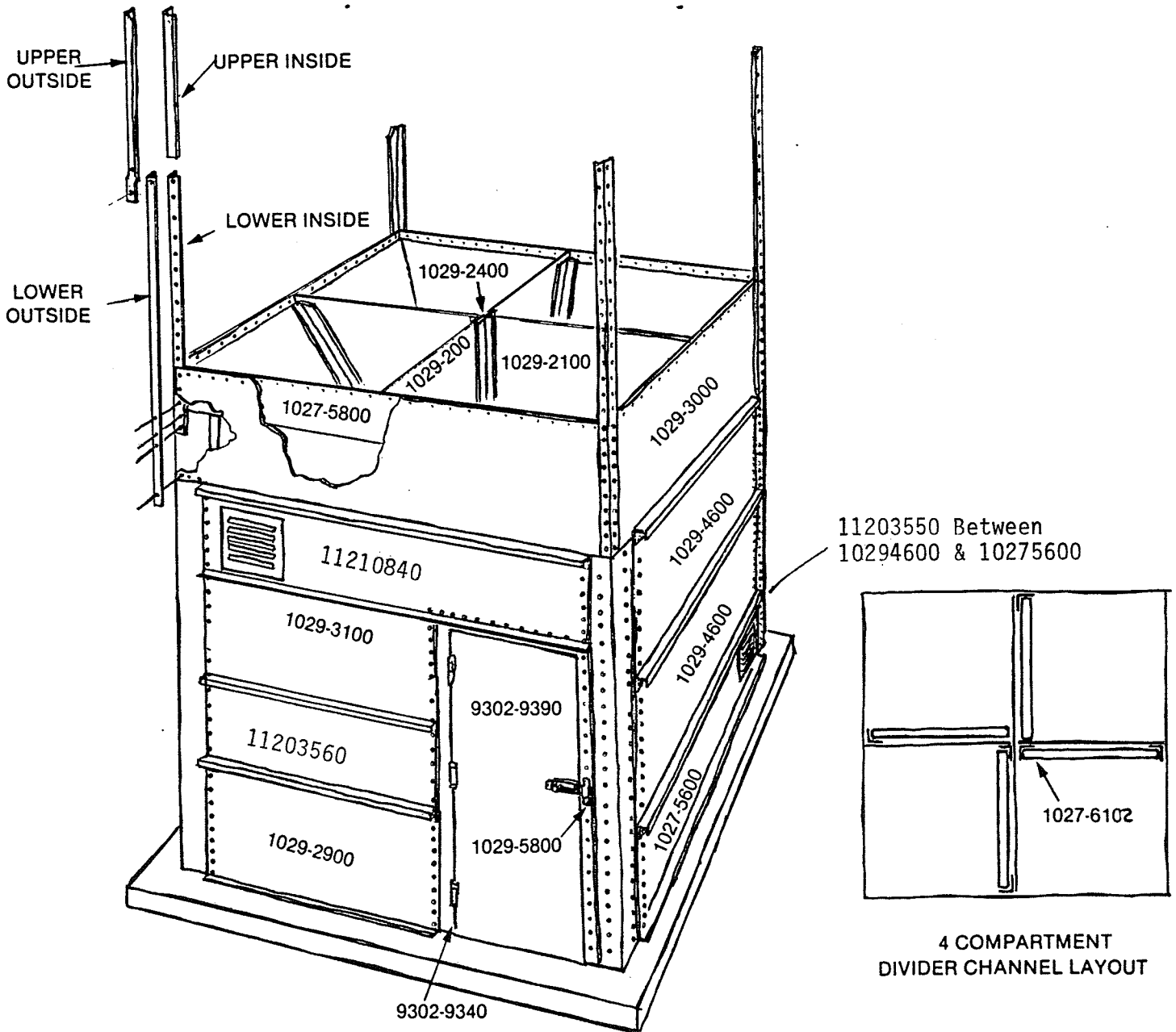


Figure 11

LOWER ENCLOSURE ASSEMBLY

The following parts are required to enclose the mill area of your farm feed factory:

ITEM #	PART NO.	QTY.	DESCRIPTION
1	1027-5600	1	Panel, bottom enclosures with vent cut-out
2	1029-2800	2	Panel, bottom enclosure
3	1029-2900	1	Panel, bottom enclosure, door side
4	1029-3000	4	Panel, enclosure top
5	1029-3100	1	Panel, enclosure, door side
6	11203560	1	Side panel, short
7	11203550	3	Extension side panel
8	1029-4600	6	Panel, enclosure
9	11210840	1	Panel, enclosure with vent cut-out
10	1048-6200	2	Channel, reinforcing, door side
11	1048-6102	10	Channel, reinforcing
12	9302-9340	1	Door frame assembly
13	9302-9390	1	Door assembly
*14	1029-5800	1	Strikeplate, door
*15	6028-3317	11	1/4"-20 Carriage bolt
*16	6608-3300	11	1/4"-20 Hex nut
*17	6640-4400	9	3/8" Flat spacer washer
18	8001-7505	2	Ventilator assembly

*NOTE: Items 14 thru 17 will be found in anchor hardware package 9303-1531.

5 & 6 COMPARTMENT				
CORNER ANGLES			DIVIDER ANGLES	
No. of Tiers	Lower Inside	Upper Inside	Lower Angles at center of dividers	Upper Angles at center of dividers
3	9303-4830	None	9303-4770	None
6	9303-4790	9303-4810	9303-4770	1034-7700

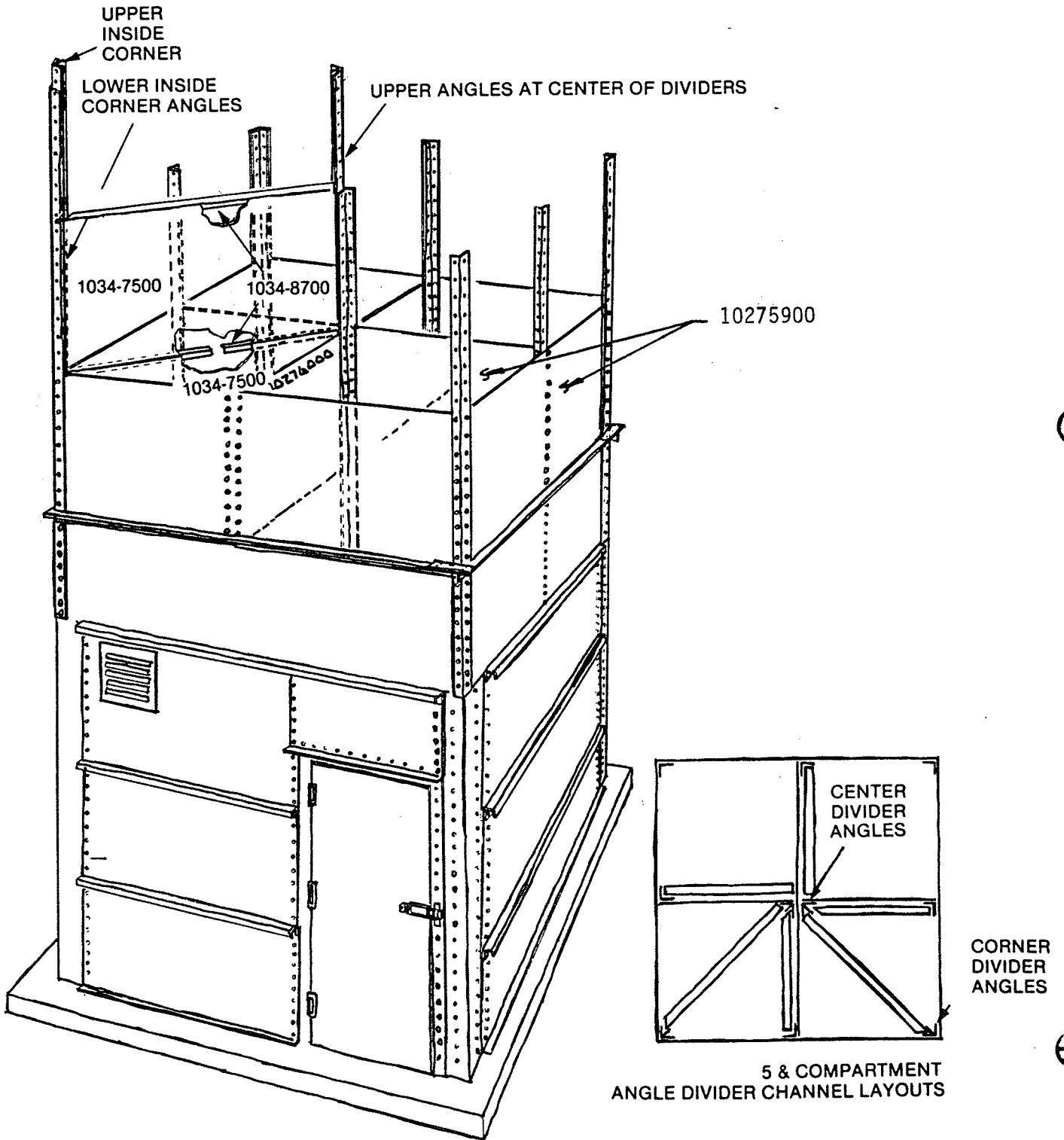


Figure 12

Install the second 8001-7505 ventilator assembly in the 1027-5600 bottom enclosure panel. Apply a liberal coating of the asphalt sealer to the bottom of the three inch lip of the panel and install on one side of the building.

Place a liberal coating of asphalt sealer to the 1029-2800 panels and install to the two remaining sides of the building.

Following the same assembly procedures as above, assemble the 11203550 panel and the six 10294600 panels.

ASSEMBLE

1048-6102 reinforcing channels to each side of the building.

Next, install the 1029-5800 strike plate and the 9302-9390 door assembly. Use the 3/8" washers for spacers behind the strike plate. This will permit the door latch to operate freely.

Install one of the 1029-3000 panels and one reinforcing channel at the top of the hopper.

Install any bolts that have been omitted, but do not tighten any bolts and nuts at this time.

UPPER ENCLOSURE ASSEMBLY

The following parts will be required to construct the upper enclosure section of a four compartment 40 ton farm feed factory. **

ITEM NO.	PART NO.	QTY.	DESCRIPTION
1	1027-5900	30	Panel and inside divider
2	1027-6000	12	Divider panel, short
3	1027-6102	28	Channel, divider reinforcing
4	1027-6200	24	Channel, banding
5	1027-6300	12	Angle, panel divider
6	1027-6500	4	Angle, upper inside corner
7	1027-6600	24	Bar, corner tie
8	1029-9700	4	Angle, upper outside corner
9	1030-0700	4	Angle, lower outside corner
10	1030-0800	4	Angle, lower inside corner
11	8001-1503	10 rolls	Sealer, extruded
12	8001-2501	1	Mix-Mill sign-40"x16"
*13	9200-0107	1	Ladder and cage parts

*See packing list for parts included under this 9200-0107 part number.

**See page #20 for instructions to complete a divided compartment, five or six compartment model.

FOUR COMPARTMENT MODELS				
CORNER ANGLES				
* No Tiers	Lower Outside	Upper Outside	Lower Inside	Upper Inside
3	9303-0090	none	1027-6500	none
6	1030-0700	1029-9700	1030-0800	1027-6500

*NOTE: 20 Ton models are 3 tier.

40 Ton Models are 6 tier.

Select an inside corner angle and an outside corner angle, part numbers as shown in the above chart, for the building you are assembling. The following construction procedure will be for a six tier model.

Refer to the picture of the inside and outside corner angles shown in figure #11 page 18. Assemble the angles in pairs, holding together with one bolt and nut, placed close to the top of the angles. The two inch dimension from the top end of the inside corner angle to the centerline of the first hole must be two inches. If this dimension

does not check out you have the inside corner angle reversed.

The pairs of angles should be assembled to the base corner legs and over the outside edges of the 1029-3000 upper hopper enclosure panel. Install a second 1029-3000 panel and a second pair of corner angles. Repeat this procedure until all four corner angle pairs have been assembled. Next install one 1027-5900 panel by following the procedure described below. This procedure will be followed for the remaining exterior panel construction of your farm feed factory.

- A. Wipe any excess oil off of each outside vertical edge of the panel for a minimum of three inches on each side.
- B. Place a bead of the extruded caulking on each vertical edge of the panel as shown in figure #12A page 23.
- C. Spread the inside and outside corner angles apart with a screwdriver blade and insert one end of the 1027-5900 panel between the angles. This panel should lap the lower 1029-3000 panel on the outside of the building. Do not place any bolts on the horizontal lap because a banding channel must also be installed at this location. Place two or three bolts in the vertical row of holes to align the panel. Slightly bow the center of the panel towards the outside of the building and slip the opposite side of the panel between the corner angles. Install two or three bolts in this edge. *NOTE: Center row of holes in this panel are slightly off-center. Each panel must be installed the same as the first panel. Next install a 1027-6200 banding channel over the lap joint of the 1029-3000 panel and the 1027-5900 panel just installed.

Repeat the above procedure for the installation of three more 1027-5900 panels around the top of the factory.

Next install one 1027-6300 divider angle at the center of each of the 1027-5900 panels. Assemble the end down, that has the two inch spacing,

from the end of the angle to the first hole. These angles should be assembled so they are flush against the top of the 1027-5800 main angle.

Next install a 1027-5900 panel as a full length divider panel in line with and lapped over the long divider below. Attach both ends of this divider to the 1027-6300 angles just installed. Make certain the center vertical row of holes in the 1027-5900 are aligned with the holes in the 1027-6300 divider angles.

Next install two 1027-6300 angles in the corner of the building and in line with the lower divider angles. Again the angles should be oriented with the two inch spaced hole down.

Next install two short divider panels 1027-6000. These panels should overlap the lower panels installed previously. Install one 1027-6102 divider channel in each compartment to reinforce the lapped joint of the divider panels. Viewed from the outside of the factory each divider channel will be located on the left side of the hopper divider.

The top of your building panels should all be level at this time with only the corner and center angles extending above the panels.

Next assemble a row of banding channels 1027-6200, around the farm feed factory at the junction of the lapped panels on the exterior of the building. The 1 1/4" long bin bolts from the 9303-1570 parts package will be used for the assembly of the banding channels at the hopper top level.

NOTE: When viewed from the outside of the building the right end of the banding channel will be flush with the building corner. The left end will extend past the building corner by approximately three inches.

Install one 1027-6600 tie plate at each building corner. Use the 3/4" long bin bolts for this assembly. This completes "one tier".

DO NOT TIGHTEN ANY BOLTS. Repeat the above procedure to complete the assembly for the next two tiers to your building.

If you are building a twenty ton feed factory you should omit the assembly instructions for the assembly of the next three tiers.

The outside and inside corner angles for the upper three tiers are 1029-9700 (outside and 1027-6500 inside. You will note that the 1029-9700 has an expanded section on one end. This expanded section will overlap the top of the outside corner angle of the first three tiers. The inside corner angle 1027-6500 is a symmetrical angle and may be installed either end up and be correct. This angle must butt against the end of the inside corner angle of the lower inside corner angle.

If installed properly the top of the corner angles will now be flush. Install the angles at the other three corners.

Repeat the assembly procedure used for the panel and divider installation of the first three tiers until the fourth, fifth, and sixth tiers have been completed. There will not be any banding channels around the top of the top tier.

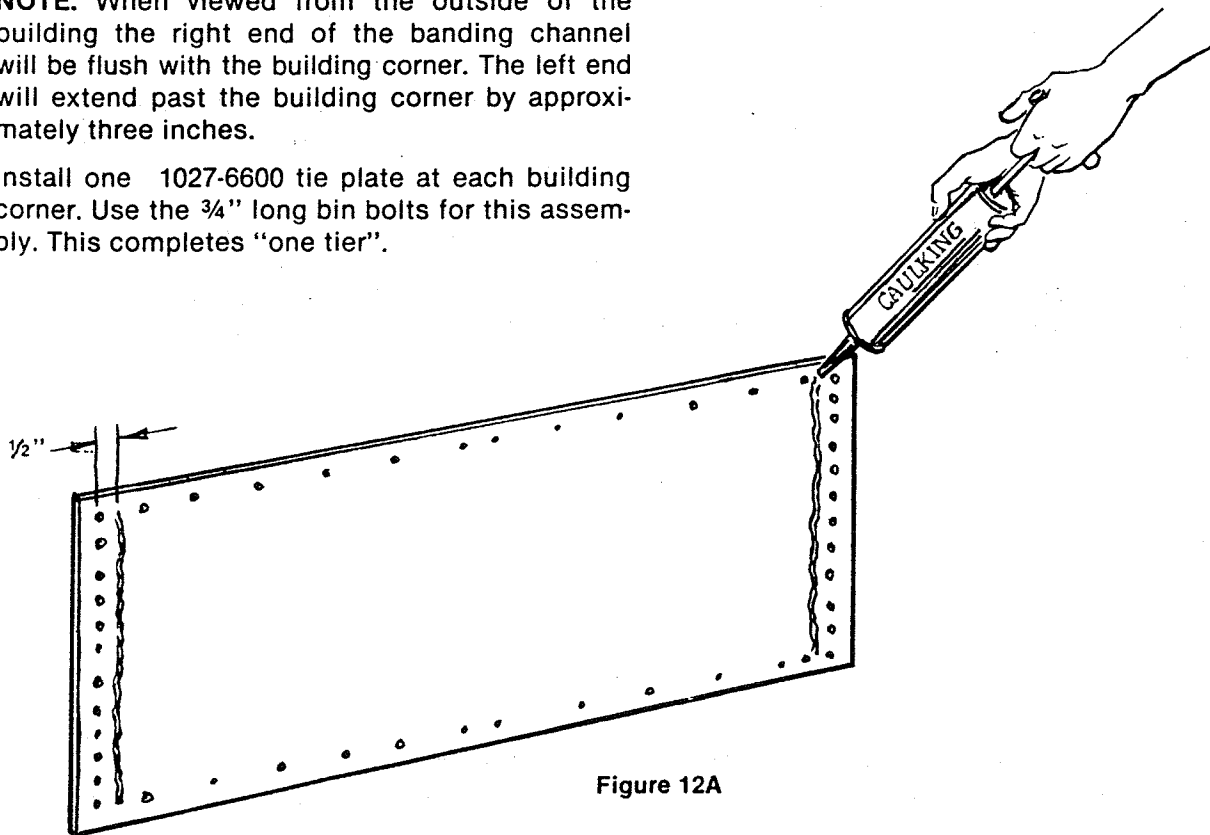


Figure 12A

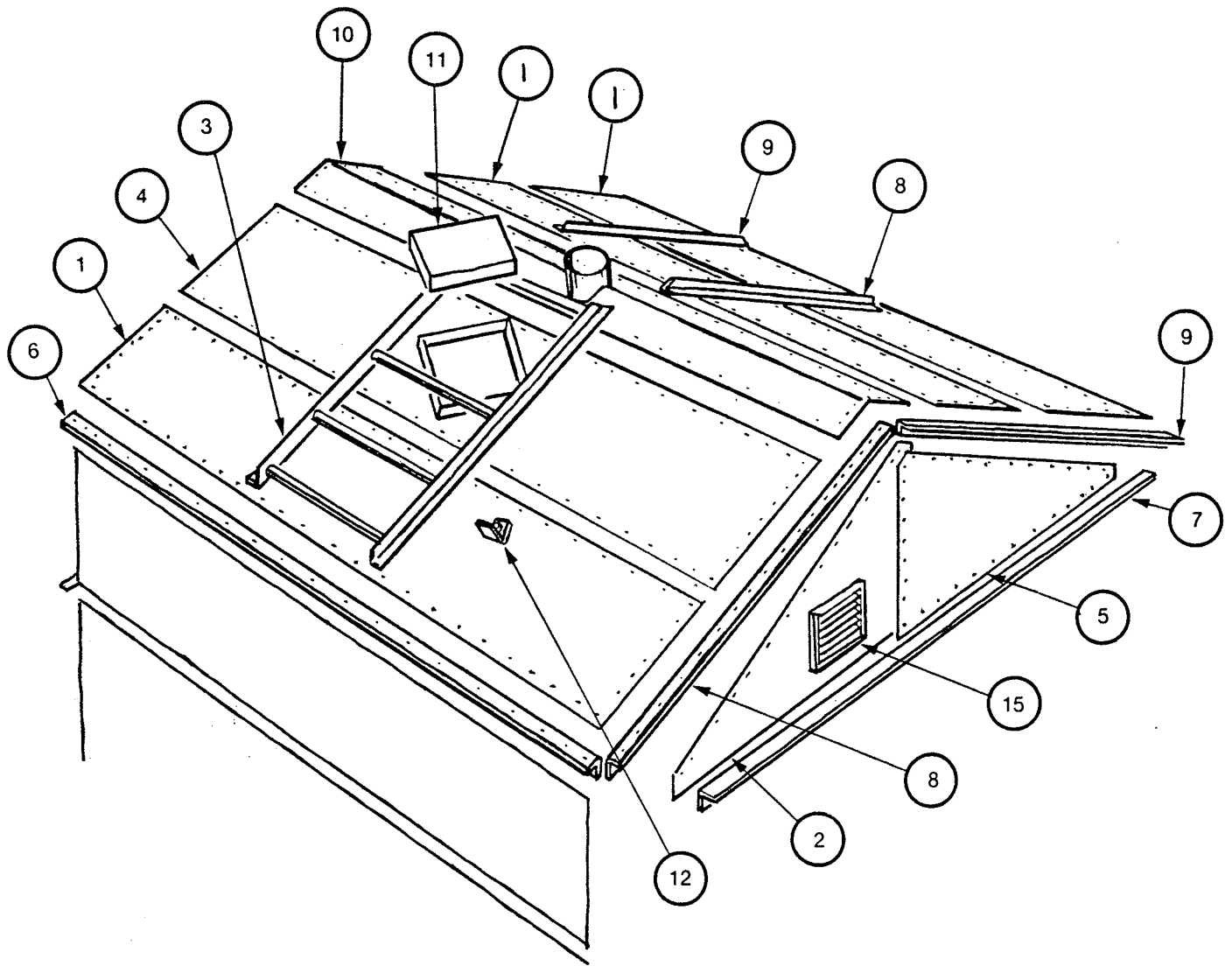


Figure 13

Install a ventilator assembly in one of the 1029-8100 gable panels. Next assemble a 1029-4500 gable channel to the outside top edge of the 1029-8100 gable panel. (This may be done at ground level.) Next assemble a 1029-4400 gable to the outside top edge of one 1029-4100 gable panel. The gable channels must be on the outside of the building when assembled. Repeat the above procedures to complete the opposite side.

Place one completed assembly on top of the FFF and lapped over the outside edge. Align the holes with the top of the top tier. Place a 1029-4300 top bin side angle over the junction and install bolts and nuts to hold in place. Hold in place to support until the other side has been installed.

Place the 90000578 roof ridge over the two gable

ends and temporarily hold in place with nuts and bolts. This will support both gable ends.

Next install the two 1029-4200 roof eave angles on the two remaining sides of the FFF.

NOTE: It is very important that the turning rod (11210820 or 90000495) be placed down inside the FFF before the roof sheets are installed. The turning rod may require polishing or filing to remove any burrs or nicks. Make sure the 9302-9640 guard tube will slide over the rod freely. Place the guard tube so that the small end will be towards the top of the FFF. Hold in place with a set screw. Leave enough of the turn rod protruding through the guard tube to go through the center hopper and down into the mill room.

ROOF ASSEMBLY

The roof peak may be installed facing either direction. The roof must be installed, however, so that the ladder and access door in the roof are all on the same side. When this has been determined proceed as follows.

The following parts will be needed for the roof assembly: **NOTE:** all building roofs are identical.

ITEM NO.	PART NO.	QTY.	DESCRIPTION
1	1029-4700	3	Roof Panel
2	1029-8100	2	Gable panel/louver
3	9302-9841	1	Roof ladder assy.
4	9302-9990	1	Roof panel/manhole
5	1029-4100	2	Gable panel/plain
6	1029-4200	2	Angle, roof eave
7	1029-4300	2	Angle, top bin side
8	1029-4400	3	Channel, gable
9	1029-4500	3	Channel, gable
10	90000578	1	8" Roof ridge assembly
11	1021-0800	1	Roof door
12	1026-3700	1	Hanger clip, roof door
13	11210820	1	Spinner adjusting rod - 20 ton
or	90000495	1	Spinner adjusting rod - 40 ton (not shown)
14	1038-5500	2	Bracket, turn rod (not shown)
15	8001-7505	2	Ventilator
16	9302-9640	1	Guard tube (not shown)

NOTE: Items #11 and 12 will be found in parts package 9303-1491. Other small parts listed will be found in parts package 9310-0075.

See Figure #13 page 25 for exploded view of roof parts.

Install the two 1038-5500 brackets at the top of the third tier and top of the sixth tier levels using the holes at the lap joints. See the spinner rod assembly drawing figure #14 page 26.

Next assemble the roof sheets as shown in the diagram. Caulk all the vertical and horizontal joints in the roof assembly.

The roof ladder will provide structural strength on the side where the manhole panel is located. The opposite site be reinforced by installing the remaining 1029-4400 and 1029-4500 gable channel as shown in the roof drawing figure #13 page 25. These channels will divide the roof into three equal sections.

Install the roof door clip close to the roof ladder and roof manhole for convenience.

Assemble the Mix-Mill sign to an upper tier panel. This sign is part number 8001-2501.

Tightening the FFF. Start at the top of the building and tighten all nuts using an impact wrench. **DO NOT TURN THE BOLT HEADS.**

If the bolt heads are turned the neoprene washer will be damaged and a leak could occur.

Tighten all nuts at this time.

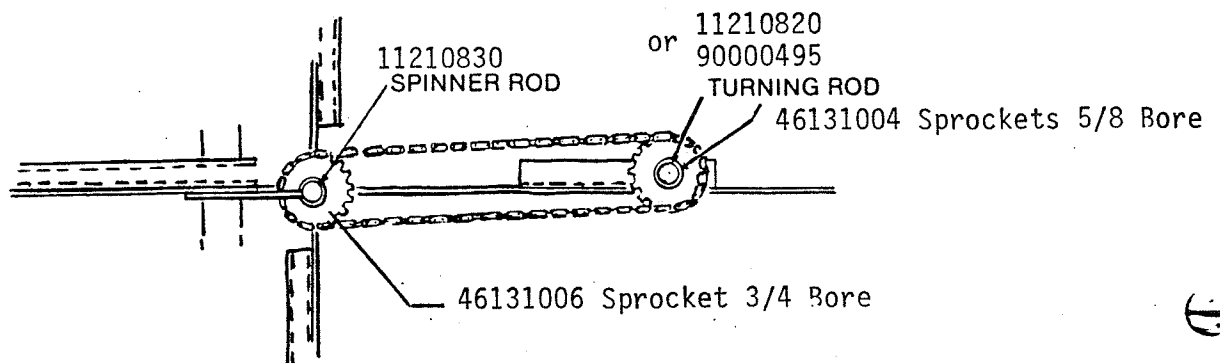
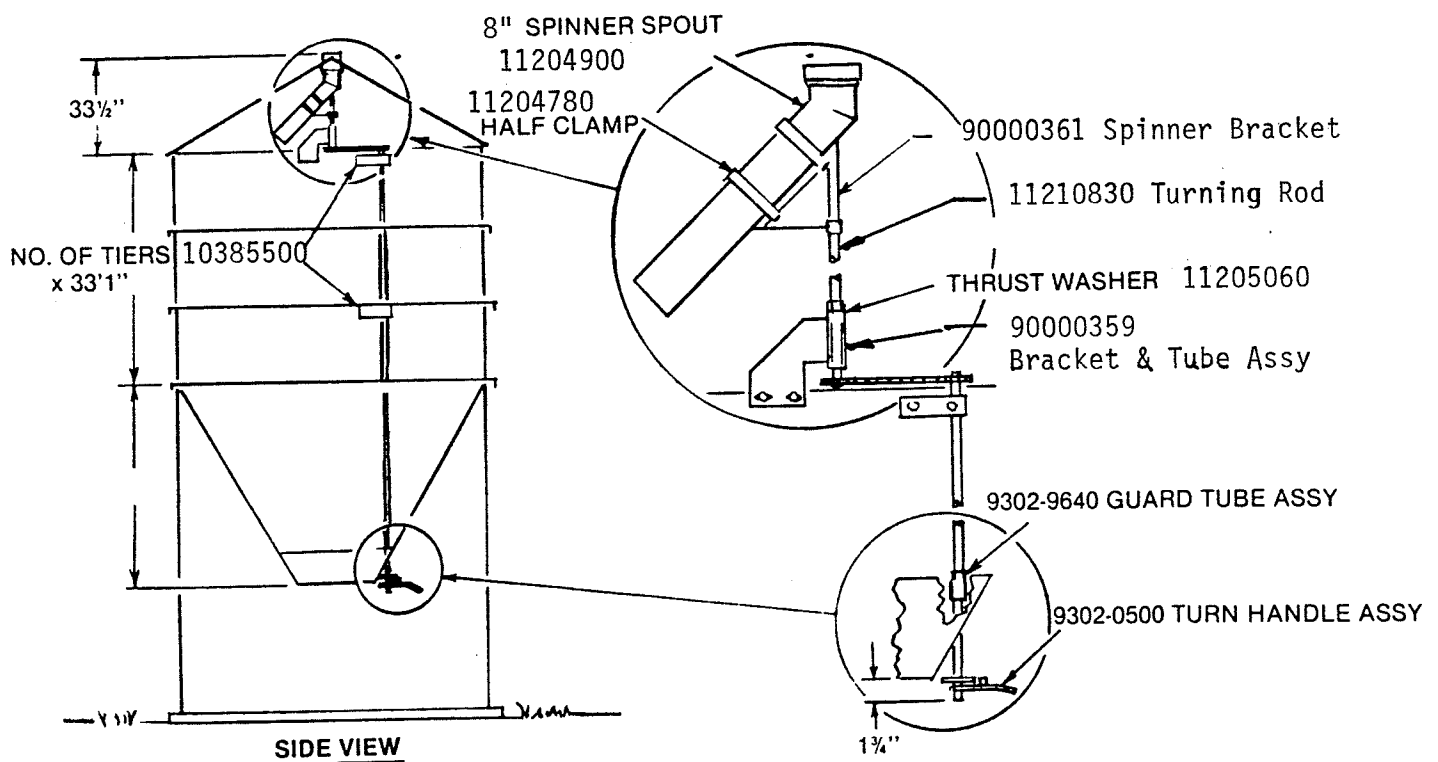
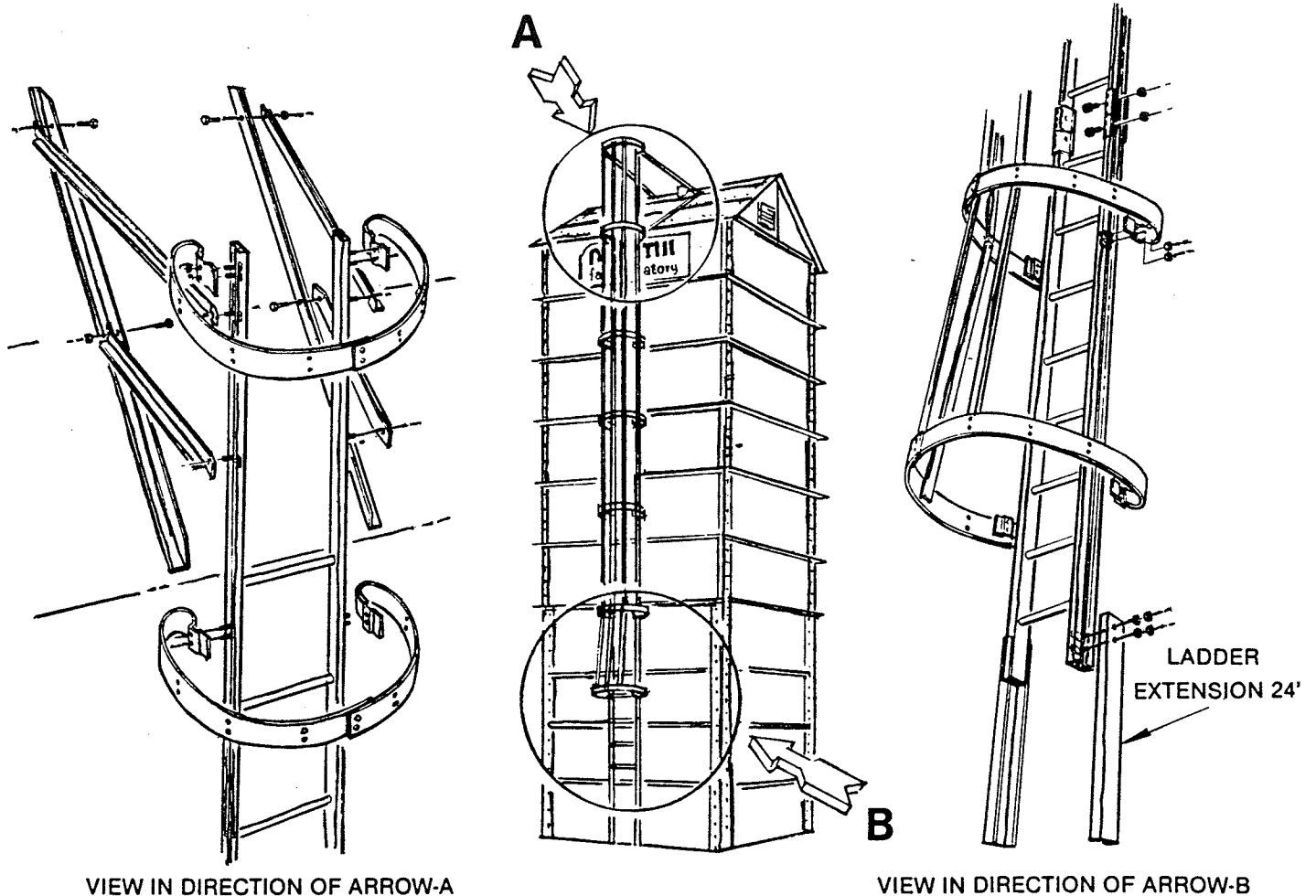


Figure 14

NOTE-

See 8" Spinner Spout Assy Instructions (99960096)
 Found in Spinner Parts Package (92000307)



VIEW IN DIRECTION OF ARROW-A

VIEW IN DIRECTION OF ARROW-B

Figure 15

LADDER ASSEMBLY:

Refer to figure #15 page 27. Each Mix-Mill ladder and safety cage assembly has been designed to meet or exceed OSHA requirements.

The ladders may be assembled a section at a time during the building construction and may be used for access to the scaffolding at the upper levels. If you prefer you may install the ladder after the building has been complete.

Check the packing sheet page 33 for parts that have been included with your FFF for the ladder and cage assembly. Assemble the parts as shown in the ladder assembly drawing.

After the ladder has been assembled the safety cage can be assembled or the safety cage can be assembled as you go if you prefer.

The safety cage will have two 1119-0520 flare half hoops that will provide an enlarged opening at the lower end of the assembly. The entire cage assembly is adjustable and can be assembled

any place along the length or height of the ladder. Therefore by starting at the top of the ladder will properly position the entire assembly.

A safety cage is included only on 40 ton unit.

SPINNER SPOUT ASSEMBLY:

Assemble the turn handle to the end of the turn rod on the center hopper. See figure #14 page 26. After the turn rod is positioned drill a 3/16" hole thru the turn handle and turning rod and install a spring pin. An optional method would be to drill a 1/4" hole and install a 1/4" bolt.

At the top of the FFF, install the bracket and tube assembly part 90000359 as shown in the drawing.

If necessary remove any burrs from the 11210830 spinner rod with a file or emery cloth. This rod should then be assembled thru the tube of the 90000359 bracket. Next slip a 11204790 set

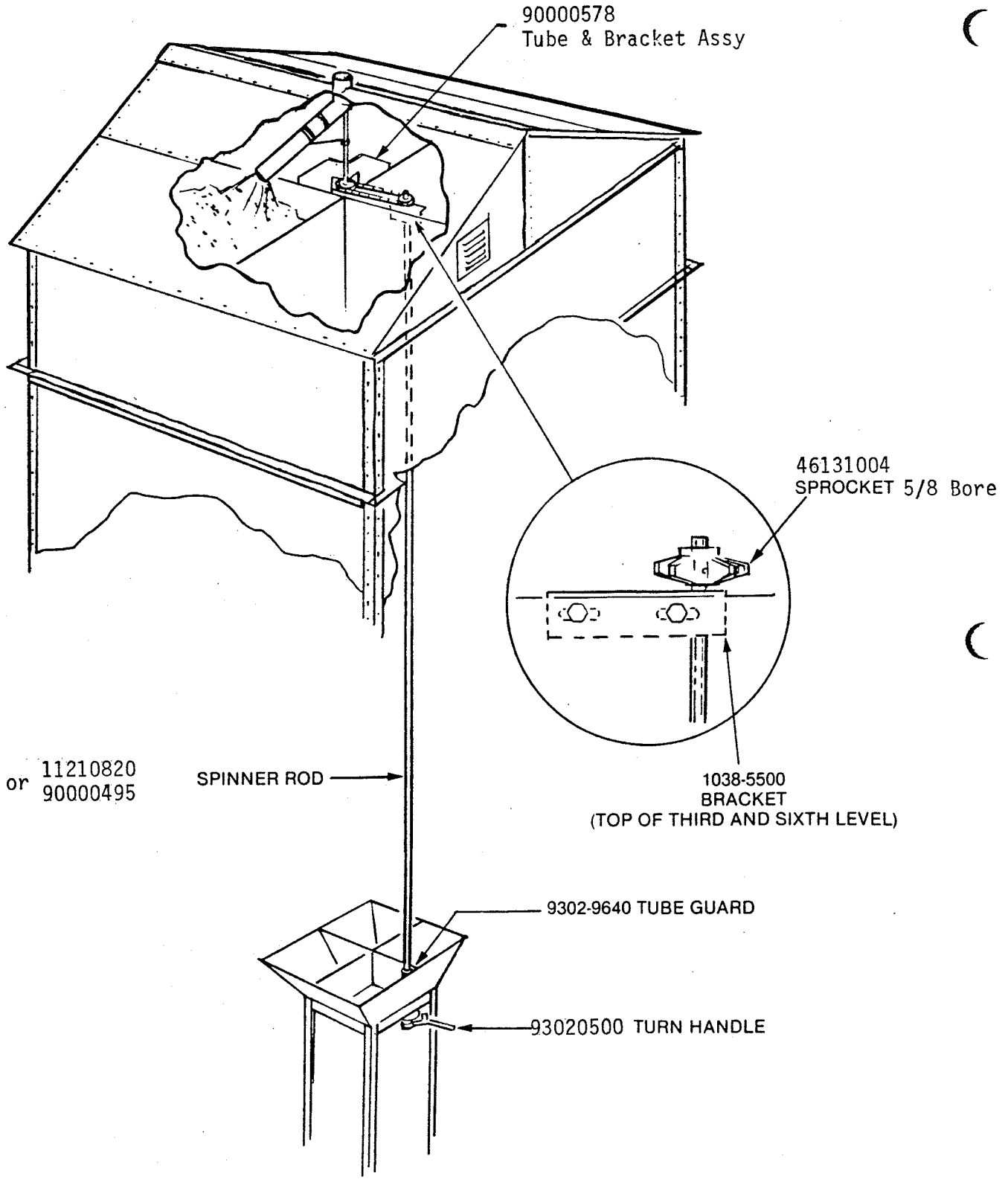


Figure 17

collar after assembling 11205060, 80014508(2) & 80014509 thrust washers. Also install a 46131006 sprocket. Adjust the position of the rod by placement of the lock collar.

Next assemble the 90000361 spinner bracket to the 11204900 spinner spout with the two 1120-4780 half clamps. Place this assembly under the eight inch round entrance tube in the roof ridge.

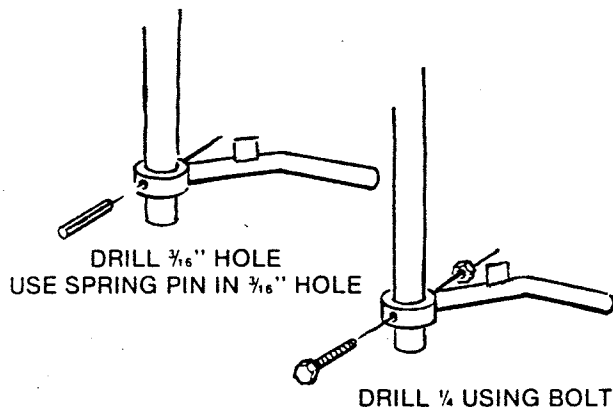


Figure 16

Adjust the short 11210820 spinner rod and assemble into the tube of the spinner spout bracket assembly. Tighten all set screws.

Assemble the other sprocket and 8001-4502 thrust washer over the long turning rod.

Place the drive chain over the two sprockets and adjust the mounting brackets to tighten the chain. The spinner spout and the turn handle in the mill house should be assembled in line with each other so that the handle will point towards the compartment that is being filled.

Check the 9302-9640 tube guard and adjust if necessary to prevent leakage of feed down into the mill room through the spinner rod tube guide.

Adjust the 1038-5500 turn rod brackets if necessary to insure free turning of the spinner spout assembly.

Five and six compartment buildings are basically four compartment buildings that have one compartment or two compartments divided.

The following parts and procedures are used for the construction of a divided compartment. Note that when a compartment is divided sometimes a substitute part will be listed and the standard four compartment part will be omitted.

ITEM #	PART #	5 COMP. QTY.	6 COMP. QTY.	OMIT 4 COMP. PRT.	DESCRIPTION
1	1034-7600	1	2	-	Inside corner angle
2	1034-7400	1	2	-	Top hopper panel divider
3	1034-8600	1	2	-	Short hopper channel reinforcing
4	1034-7300	1	2	-	Divider panel lower hopper
5	9303-4840	1	2	-	Hopper divided angle, center
6	9200-0413	1	0	9200-0413	Center hopper assy.-5 comp.
7	9200-0414	0	1	9200-0413	Center hopper assy.-6 comp.
8	9303-4770	2	4	-	Angle assy. divider center
9	9303-4790	1	2	1027-6500 1030-0800	Inside corner angle lower
10	9303-4810	1	2	1027-6500	Inside corner angle, upper
11	1034-8700	7	14	-	Channel, bin diagonal
12	1034-7500	6	12	-	Panel, bin divider diagonal

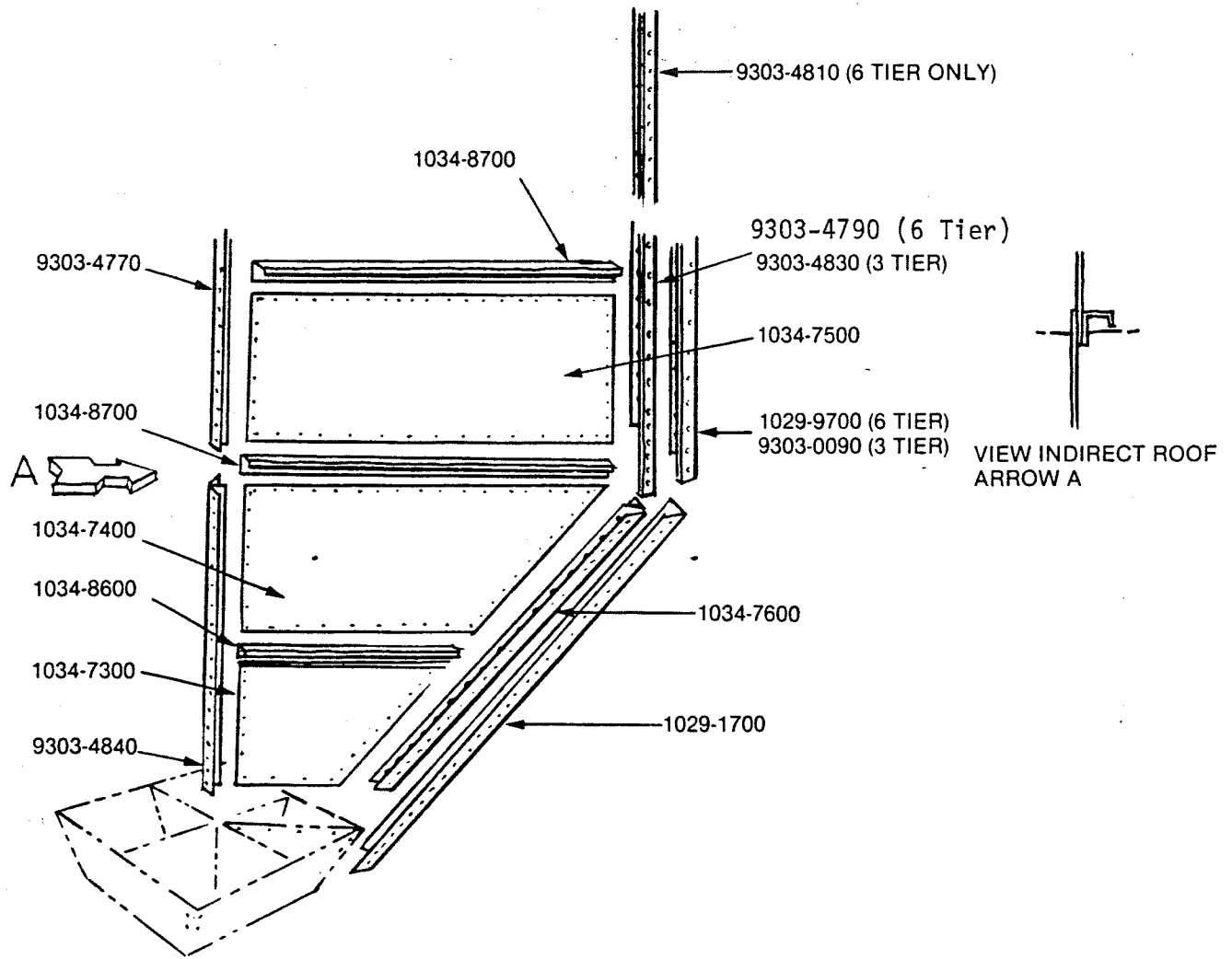


Figure 17

Follow the same procedures used for constructing a four compartment building. Refer to the exploded view figure #17 page 30 of a split compartment section. Assemble the parts as shown in the drawing.

The vee-shaped angle part 1034-7600 is the inside corner angle for attaching the divider panels to the hopper corners. It should be installed, along

with the panels and outside corner angle 1029-1700, in line with the angle divider of the center hopper assembly as shown in the drawing.

The upper construction of a divided compartment is very similar to a standard compartment construction. The working room will be more cramped and the Mix-Mill scaffold planks will provide a good working platform for these close areas.

PACKING SLIPS

20-40 TON FARM FEED FACTORY

PACKING LIST FOR MISC. PARTS OF 9303-1491 CONTAINS THE FOLLOWING:

ITEM #	PART NO.	QTY.	DESCRIPTION
1	1021-0800	1	Roof Door
3	1029-5800	1	Strike plate, door
4	6028-3317	11	1/4"-20 carriage bolt
5	6608-3300	11	1/4"-20 hex nut
6	6640-4400	9	3/8"-flat washer
7	8001-0501	1	Snap-in-blank
8	9303-6141	1	Ventilator
9	1026-3700	1	Hanger clip

ANCHOR HARDWARE PKG. #9303-1531

ITEM #	PART NO.	QTY.	DESCRIPTION
1	1030-2500	8	Tube, anchor
2	6608-5200	8	1/2"-13-hex nut
3	6640-5200	8	1/2"-flat washer
4	6640-5600	8	5/8" flat washer
5	7000-5501	74	Concrete nails
6	9303-0220	8	Anchor bolt assy.

HEX NUT PACKAGE #9303-1610

ITEM #	PART NO.	QTY.	DESCRIPTION
1	6608-3800	475	5/16"-18 hex nut
2	8000-0004	1	Burlap bag

HEX NUT PACKAGE #9303-1590

ITEM #	PART NO.	QTY.	DESCRIPTION
1	6608-3800	2150	5/16"-18"-hex nut
2	8000-0002	1	Burlap bag

HEX NUT PACKAGE #9303-1600

ITEM #	PART NO.	QTY.	DESCRIPTION
1	6608-3800	800	5/16"-18-hex nut
2	8000-0004	1	Burlap bag

HEX NUT PACKAGE #9307-2511

ITEM #	PART NO.	QTY.	DESCRIPTION
1	6608-3800	200	5/16"-18-hex nut
2	8000-0004	1	Burlap bag

PACKING SLIPS, Continued

BIN BOLT PACKAGES

BIN BOLT PACKAGE #9307-2501

ITEM #	PART NO.	QTY.	DESCRIPTION
1	7000-0501	475	5/16-18 x 3/4" Neoprene head bin bolt
2	8000-0004	1	Burlap bag

BIN BOLT PACKAGE #9303-1560

ITEM #	PART NO.	QTY.	DESCRIPTION
1	7000-0501	800	5/16-18 x 3/4" Neoprene head bin bolt
2	8000-0004	1	Burlap bag

BIN BOLT PACKAGE #9303-1580

ITEM #	PART NO.	QTY.	DESCRIPTION
1	7000-0501	200	5/16-18 x 3/4" Neoprene head bin bolt
2	8000-0004	1	Burlap bag

BIN BOLT PACKAGE #9303-1570

ITEM #	PART NO.	QTY.	DESCRIPTION
1	7000-0503	100	5/16-18 x 1 1/4" Neoprene head bin bolt
2	8000-0004	1	Burlap bag

SPINNER PARTS PACKAGE 92000307

ITEM #	PART NO.	QTY.	DESCRIPTION
* 1	11204790	1	Set collar
2	11204780	2	8" Half clamp
3	1038-5500	2	Spinner rod bracket
4	11210830	1	Spinner rod
* 5	49000416	2	Key 3/16 x 1
* 6	48005066	1	Endless chain #40 (66 Pitches)
* 7	46131004	1	Sprocket 5/8 Bore
* 8	66444400	7	3/8 Lock Washer
* 9	11205060	1	Support - Thrust Washer
* 10	6258-3817	6	Hex cap screw 5/16-18 x 3/4"
* 11	62584417	1	3/8 - 16 x 3/4 Hex Hd. Cap Scr.
* 12	62584422	6	3/8 - 16 x 1 Hex Hd. Cap Scr.
* 13	80014508	2	Thrust Washer
* 14	66084400	7	3/8 - 16 Hex Nut
* 15	6608-3800	4	5/16-18-hex nut
* 16	8001-4502	1	Thrust washer
* 17	80014508	2	Thrust Washer
18	9302-0500	1	Turning handle assy.
19	99960081	1	Instruction Manual
20	9302-9640	1	Guard tube assy.
21	90000359	1	Bracket and tube assy.
22	99960096	1	Assy Instructions
23	90000361	1	Spinner bracket assy.

32	* 24	46131006	1	Sprocket 3/4 Bore
	25	80011503	250	Sealer
	* 26	92000701	1	Hdw. Pkg. 8" Spinner Parts

* Belong to 26

20 TON FARM FEED FACTORY LADDER PARTS

ITEM NO.	PART NO.	QTY.	DESCRIPTION
1	11210940	2	Ladder extensions 18"
2	1119-1040	2	Support bracket, bottom
3	1119-1050	2	Support bracket, top
4	92000700	1	12 foot ladder, 9 rungs
5	92000702	1	12 foot ladder, 12 rungs
6	9000-0204	3	Brace assy.-less hardware
*7	9200-0154	1	Hardware package

***ITEM 7 HARDWARE PACKAGE CONTAINS:**

7-1	1119-1060	2	Ladder connector brackets
7-2	6258-3817	16	5/16-18 x 3/4" hex-cap screws
7-3	6258-4426	4	3/8-16 x 1 1/4" hex cap screw
7-4	6608-3800	16	5/16-18 hex nut
7-5	6608-4400	18	3/8-16 hex nut
7-6	6644-3800	16	5/16-lock washer
7-7	6644-4400	18	3/8-lock washer
7-8	8000-0002	1	Burlap bag
7-9	92000705	14	Clip and bolt assy.
7-10	9996-0003	1	Instruction sheet

92000793

40 TON FARM FEED FACTORY LADDER & SAFETY CAGE PARTS

ITEM NO.	PART NO.	QTY.	DESCRIPTION
1	1119-0520	2	Flare half hoop
2	1119-0530	12	Standard half hoop
3	11210940	2	Ladder extensions 18 inch.
4	1119-1040	2	Support bracket, bottom
5	1119-1050	2	Support bracket, top
6	92000027	3	Vertical bar
7	92000700	1	12 foot ladder-9 rungs
8	92000699	2	10 foot ladder standard
9			
10	9000-0204	4	Brace assembly, less hardware
* 11	9200-0155	1	Hardware package

*** ITEM 11 HARDWARE PACKAGE CONTAINS**

11-1	1119-1060	4	Ladder connector brackets
11-2	6028-3317	88	1/4-20 x 3/4" carriage bolts
11-3	6258-3817	24	5/16-18 x 3/4" hex cap screw
11-4	6258-4426	4	3/8-16 x 1 1/4" cap screw
11-5	6608-3300	88	1/4-20 hex nut
11-6	6608-3800	24	5/16-18 hex nut
11-7	6608-4400	48	3/8-16 hex nut
11-8	6644-3300	88	1/4 lock washer
11-9	6644-3800	24	5/16 lock washer
11-10	6644-4400	48	3/8 lock washer
11-11	8000-0002	1	Burlap bag
11-12	92000705	44	Clip and bolt assembly
11-13	9996-0004	1	Instruction sheet

PACKING SLIPS, Continued

LOOSE PARTS PACKAGE FOR FOUR COMPARTMENT CENTER HOPPER

ITEM NO.	PART NO.	QTY.	DESCRIPTION
1	1024-8100	4	Slide plate
2	1066-9706	4	Grain entrance tube
3	7001-0501	12	#6 self drilling screws

LOOSE PARTS PACKAGE FOR FIVE COMPARTMENT CENTER HOPPER

1	1024-8100	3	Slide plate
2	1034-6301	1	Slide plate
3	1034-6302	1	Slide plate
4	1066-9706	5	Grain entrance tube
5	7001-0501	15	#6 self-drilling screws

LOOSE PARTS PACKAGE FOR SIX COMPARTMENT FARM FEED FACTORY

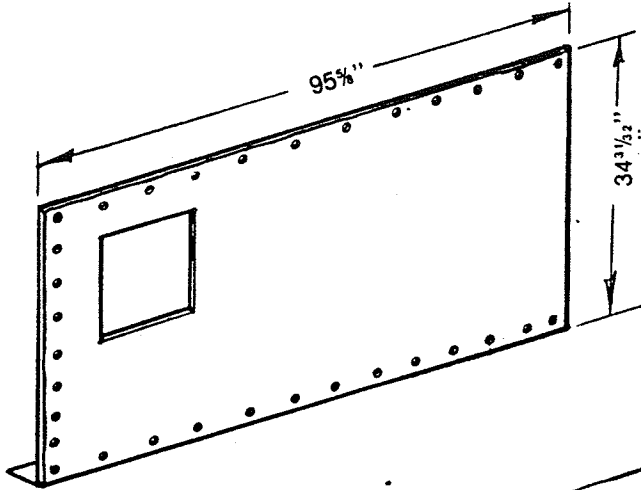
1	1024-8100	2	Slide plate
2	1034-6301	2	Slide plate
3	1034-6302	2	Slide plate
4	1066-9706	6	Grain entrance tube
5	7001-0501	18	#6 self drilling screw

#9303-6141

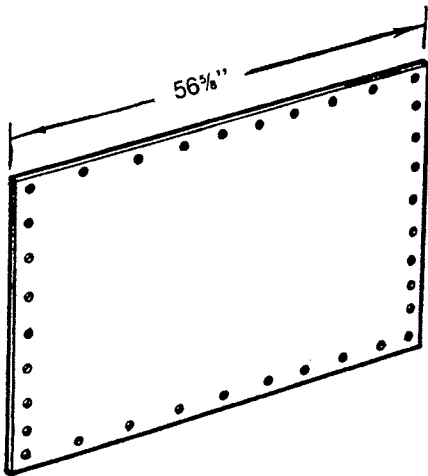
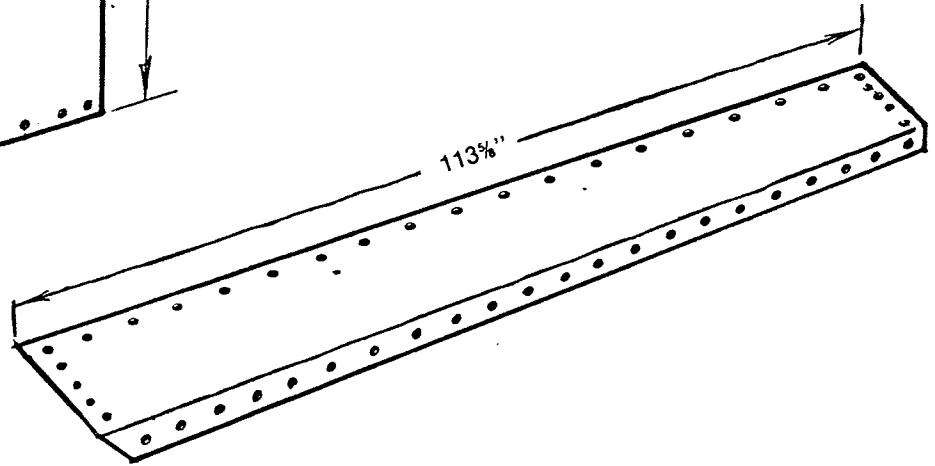
VENTILATOR PACKAGE

1	8001-7505	4	Ventilator assemblies
---	-----------	---	-----------------------

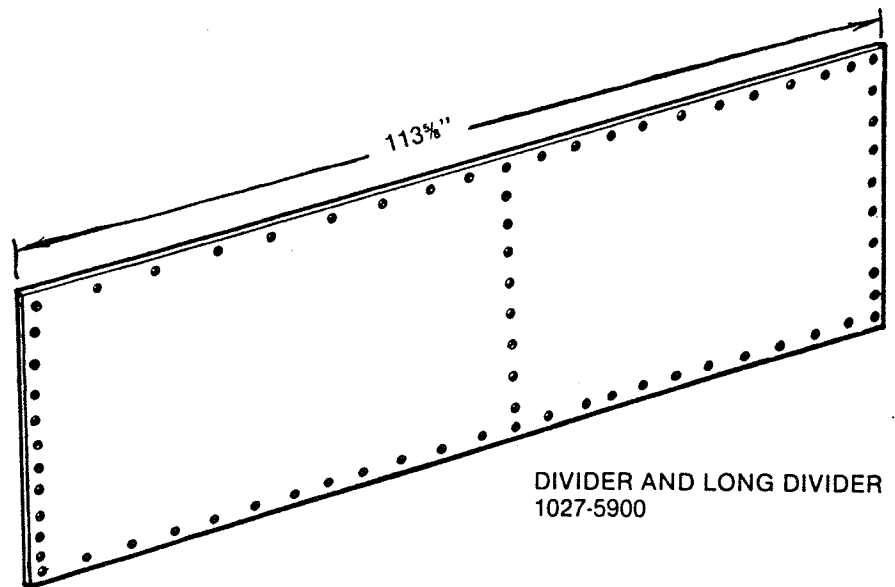
BOTTOM ENCLOSER PANEL
1027-5600



MAIN SUPPORT ANGLE
1027-5800

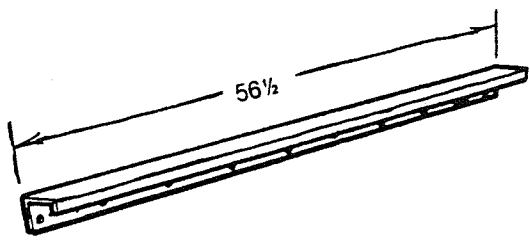


BIN DIVIDER SHORT
1027-6000

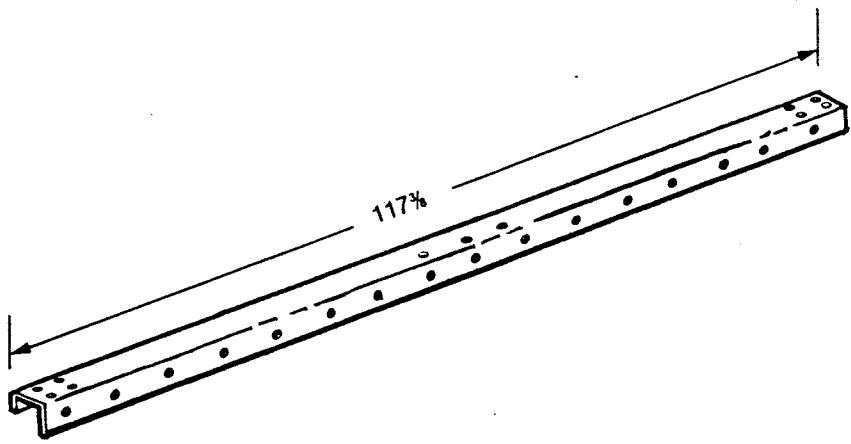


DIVIDER AND LONG DIVIDER
1027-5900

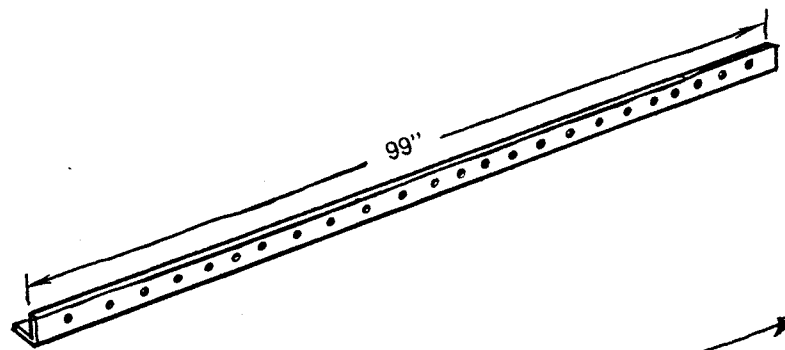
CHANNEL DIVIDER
1027-6102



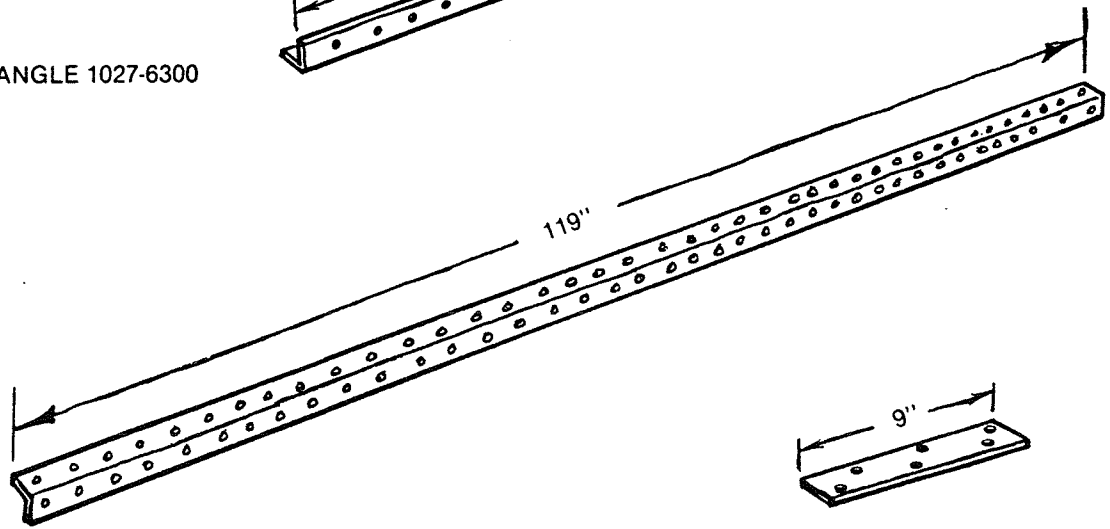
BANDING CHANNEL
1029-6200



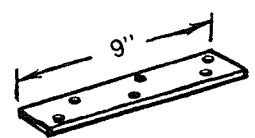
BIN DIVIDER ANGLE 1027-6300

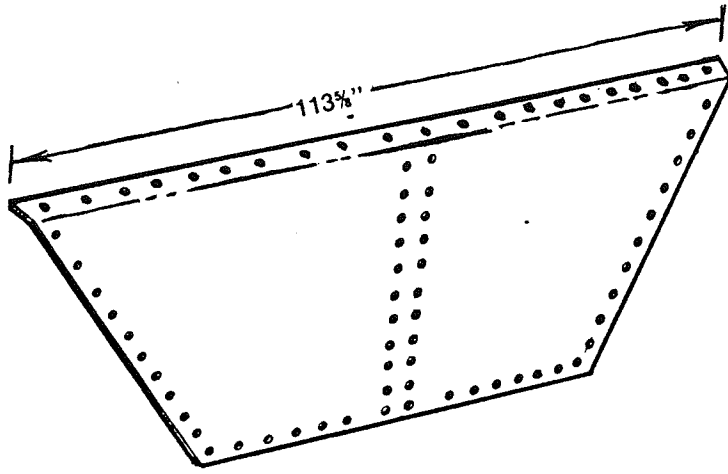


INSIDE CORNER ANGLE 1027-6500

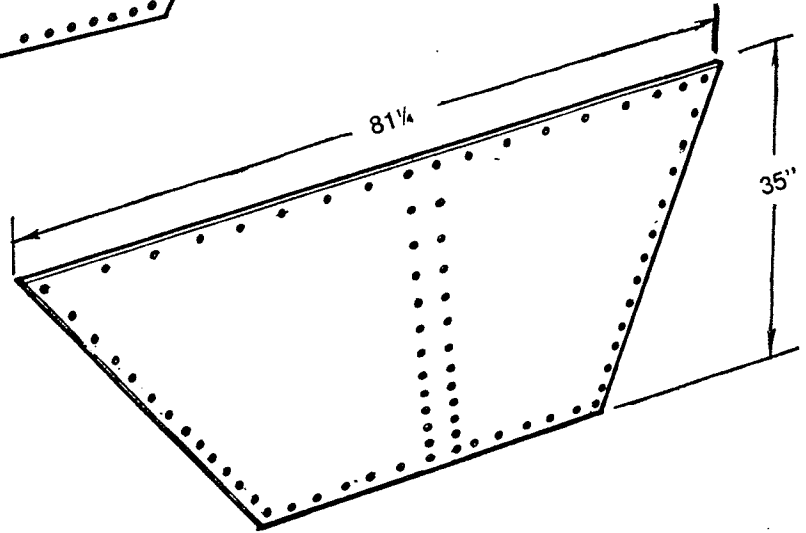


CORNER TIE BAR 1027-6600

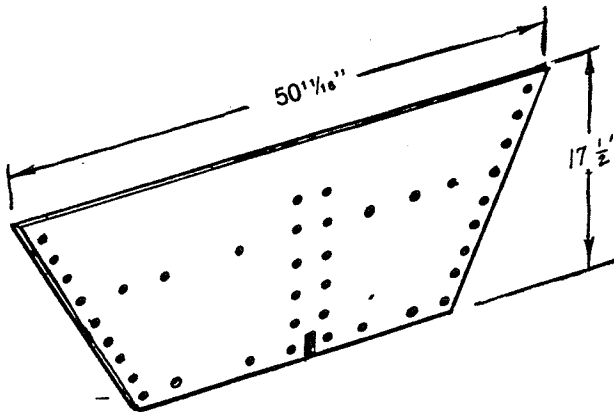




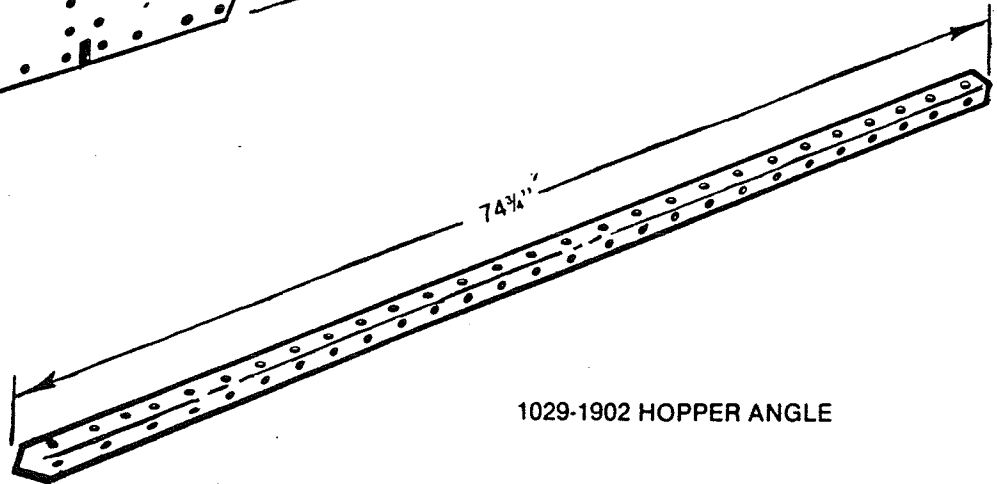
PANEL TOP HOPPER 1029-1400



TOP CENTER PANEL
1029-1500

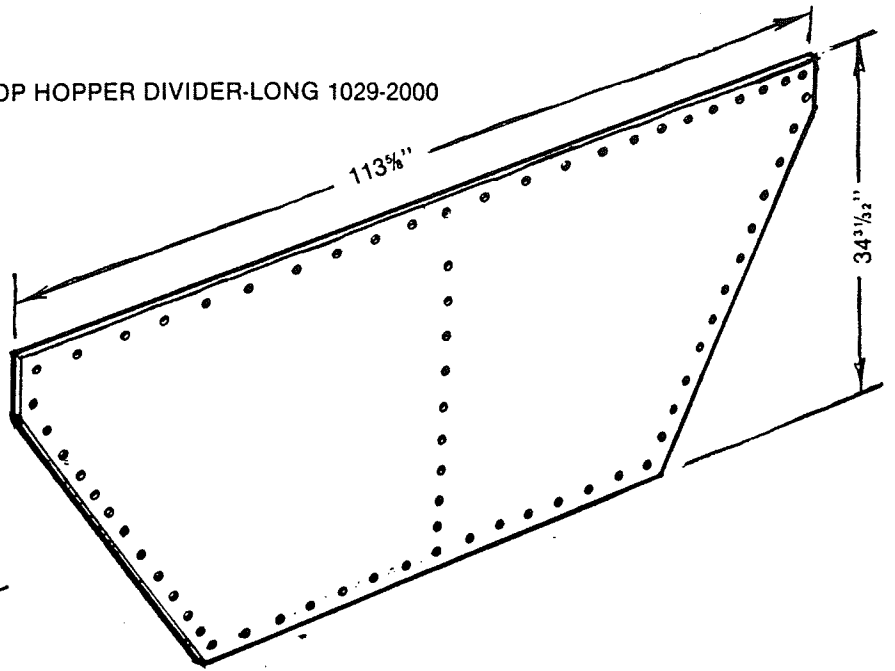


LOWER HOPPER PANEL 1029-1600

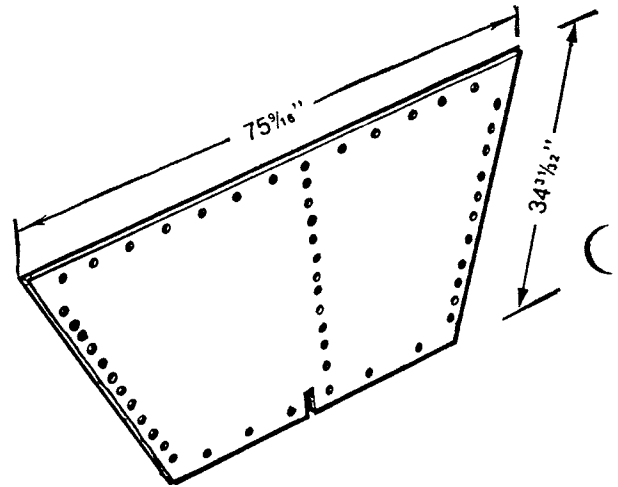
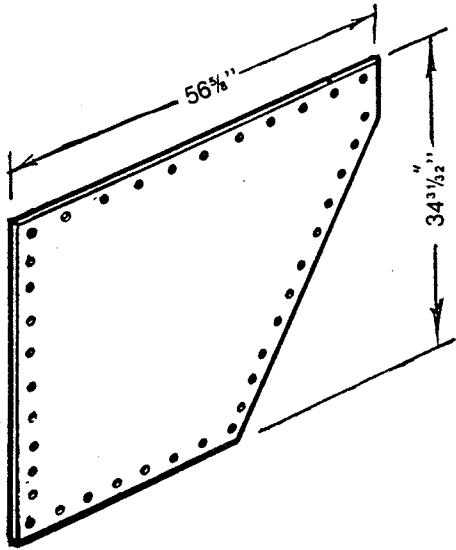


1029-1902 HOPPER ANGLE

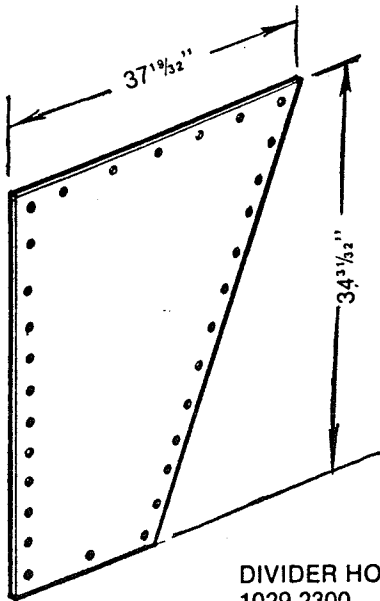
TOP HOPPER DIVIDER-LONG 1029-2000



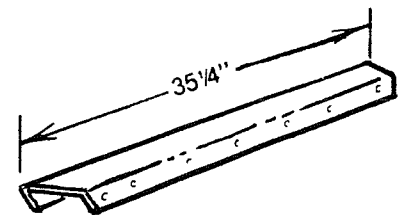
1029-2100
TOP HOPPER PANEL DIVIDER



DIVIDER PANEL LOWER
1029-2200

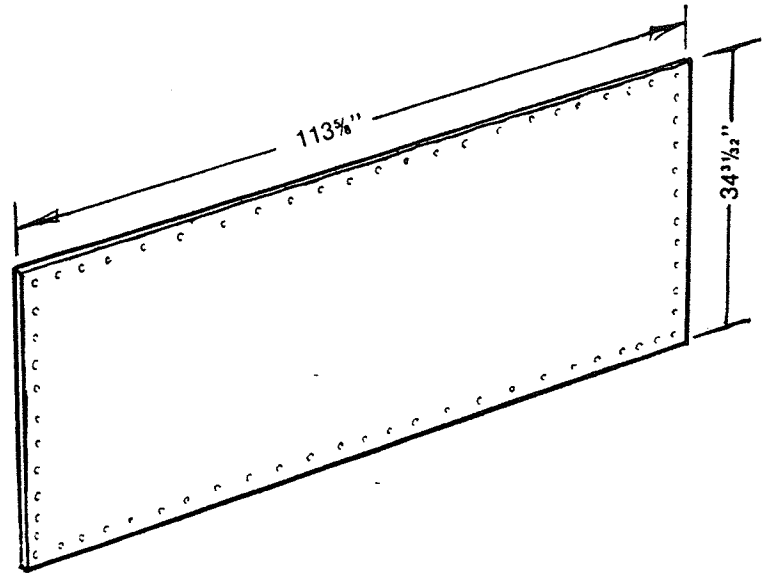


DIVIDER HOPPER LOWER
1029-2300

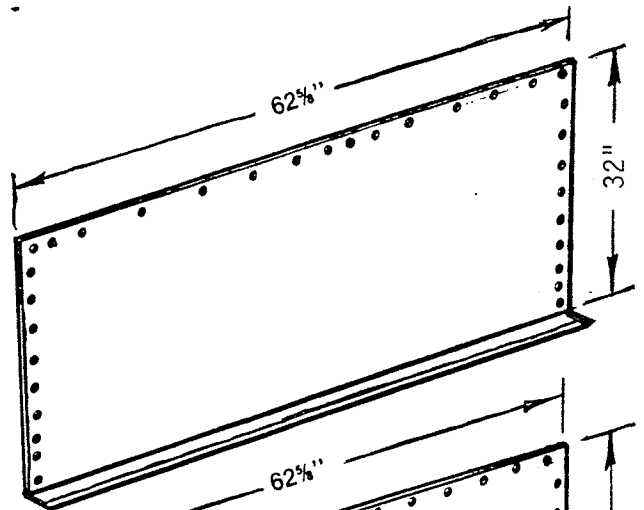


CHANNEL HOPPER DIVIDER
1029-2502

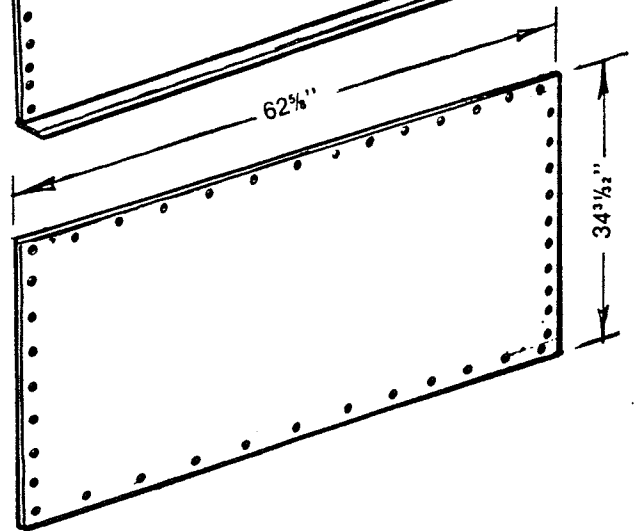
PANEL ENCLOSURE TOP
1029-3000

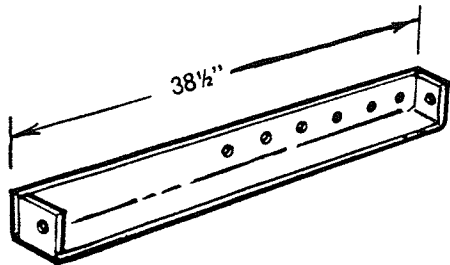


BOTTOM ENCLOSURE PANEL
DOOR SIDE 1029-2900

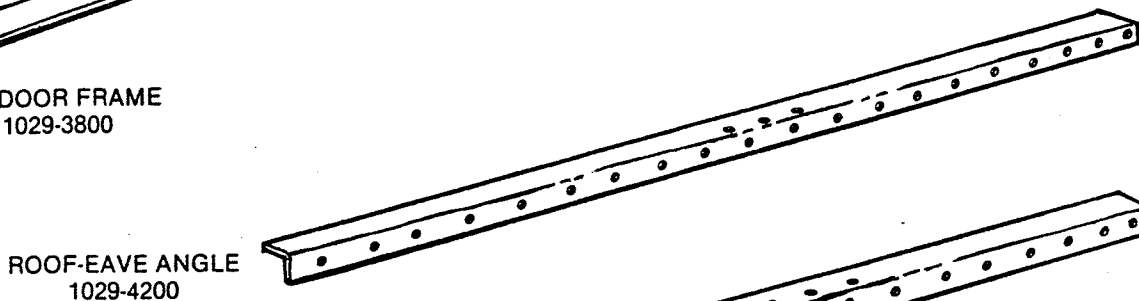


ENCLOSURE PANEL—DOOR SIDE
1029-3100

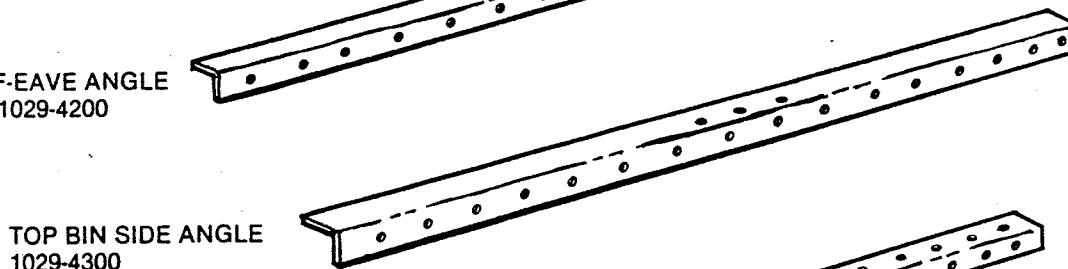




TIE-DOOR FRAME
1029-3800

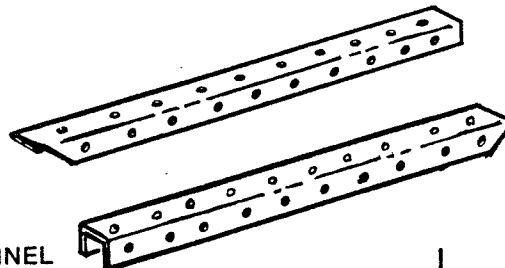


ROOF-EAVE ANGLE
1029-4200

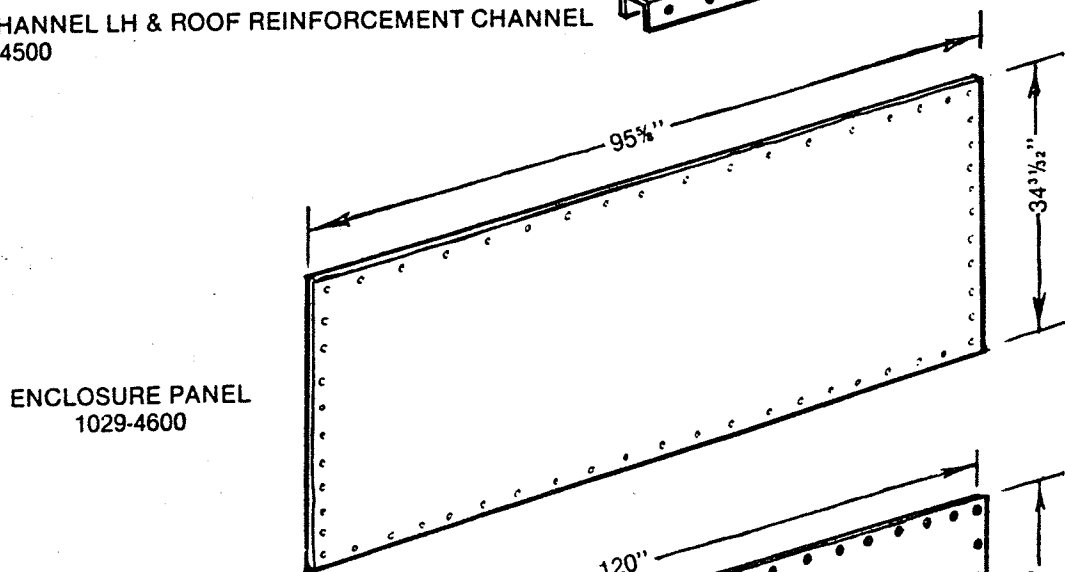


TOP BIN SIDE ANGLE
1029-4300

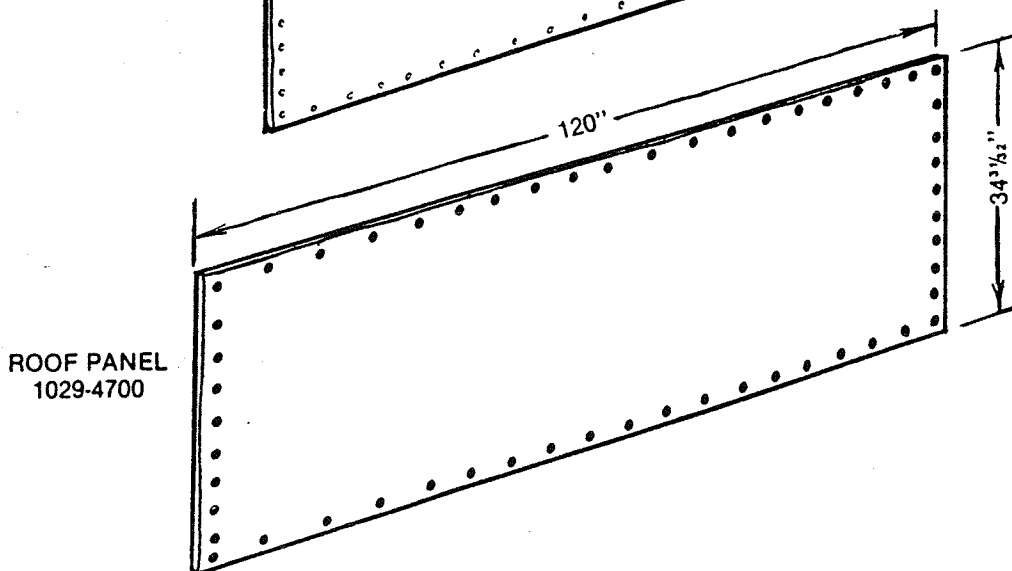
GABLE CHANNEL LH AND
ROOF REINFORCEMENT ANGLE 1029-4500



GABLE CHANNEL LH & ROOF REINFORCEMENT CHANNEL
1029-4500

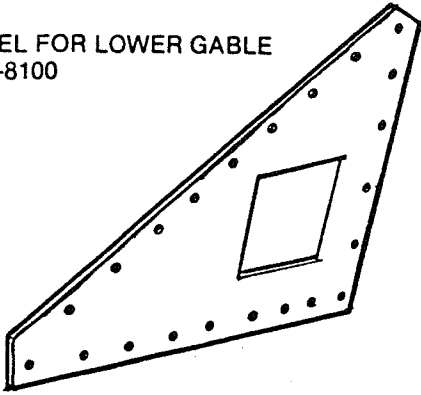


ENCLOSURE PANEL
1029-4600

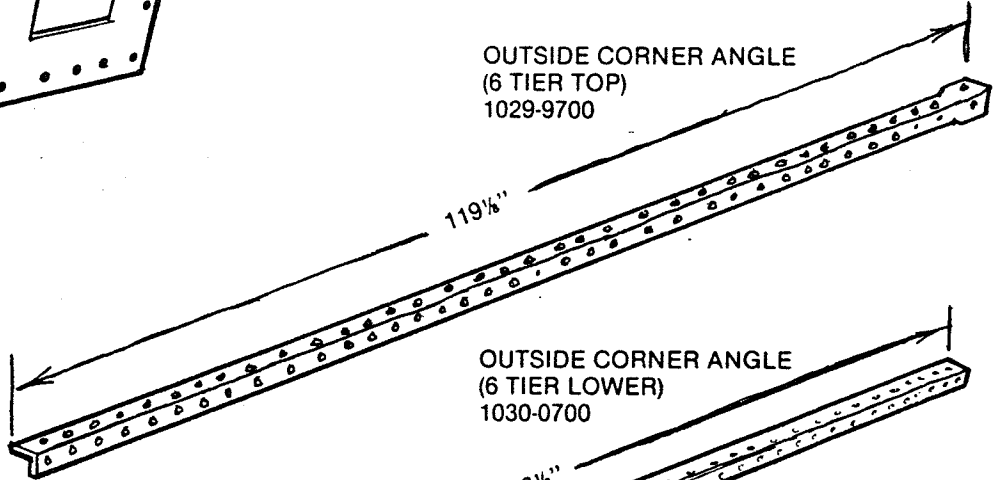


ROOF PANEL
1029-4700

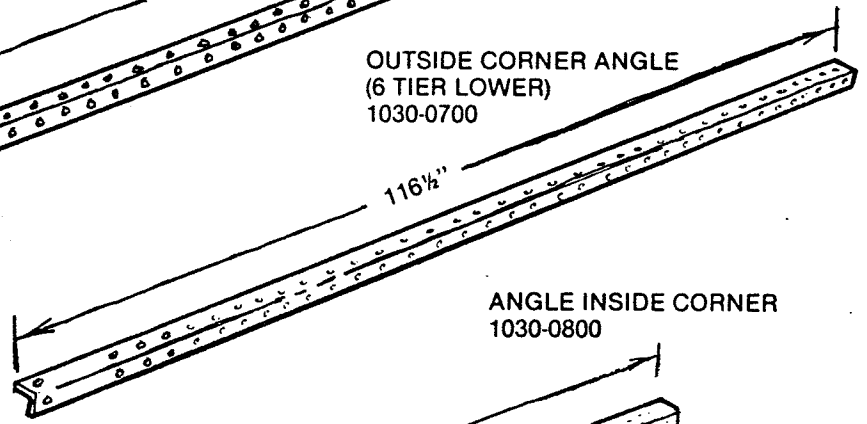
PANEL FOR LOWER GABLE
1029-8100



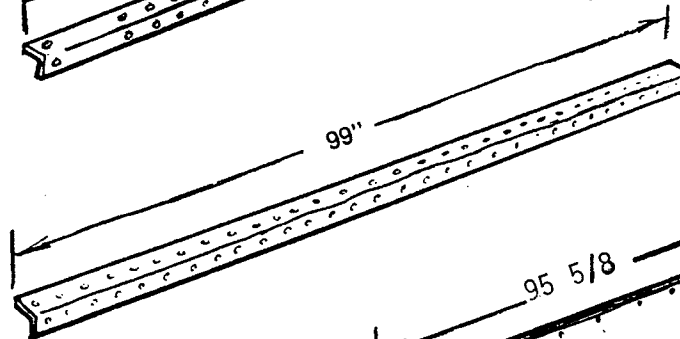
OUTSIDE CORNER ANGLE
(6 TIER TOP)
1029-9700



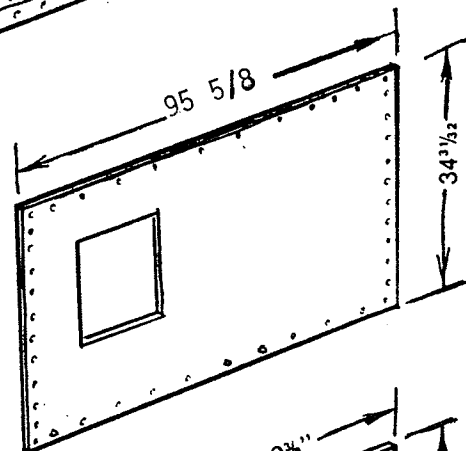
OUTSIDE CORNER ANGLE
(6 TIER LOWER)
1030-0700



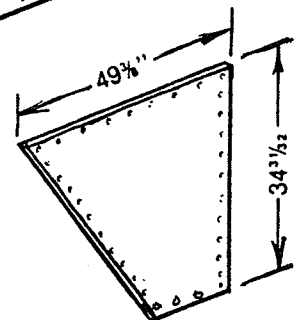
ANGLE INSIDE CORNER
1030-0800

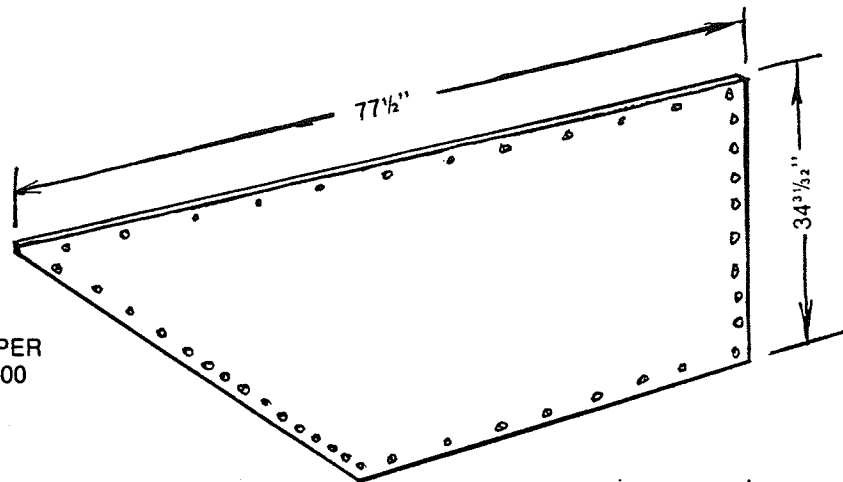


ENCLOSURE-PANEL WITH VENT
11210840

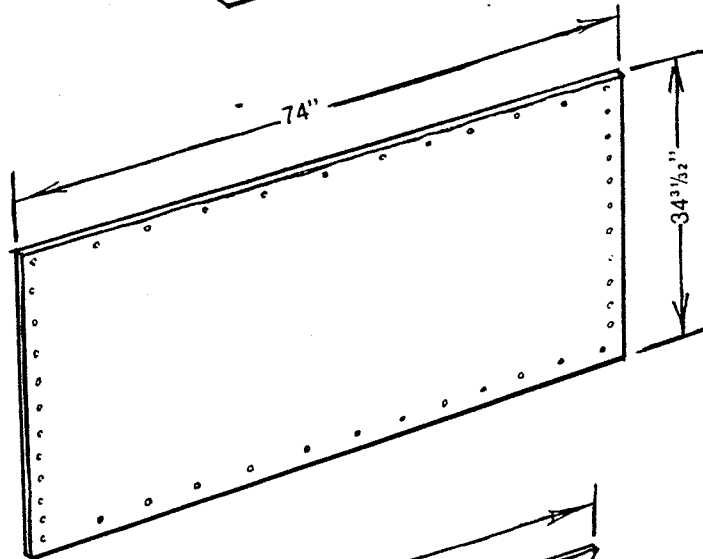


DIVIDER HOPPER LOWER DIAGONAL
1034-7300

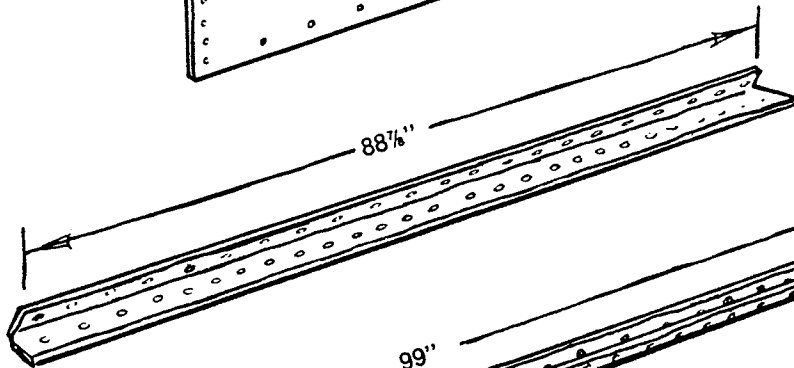




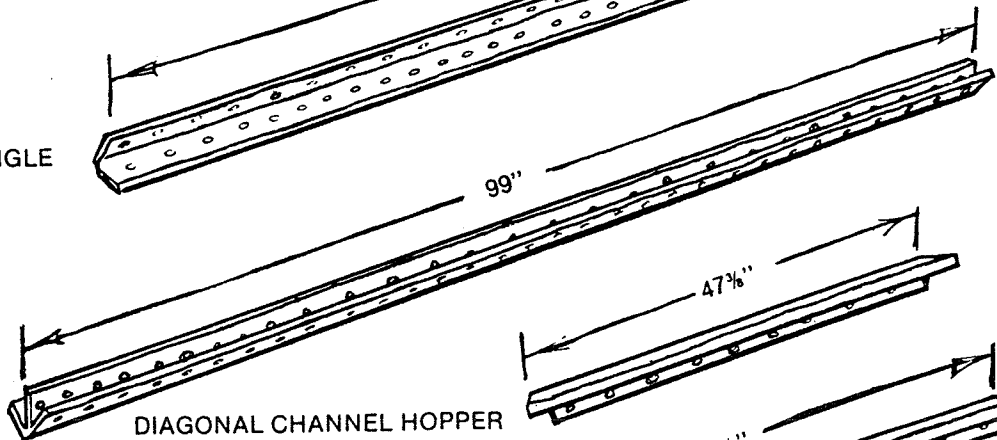
DIVIDER TOP HOPPER
DIAGONAL 1034-7400



DIVIDER BIN DIAGONAL
1034-7500

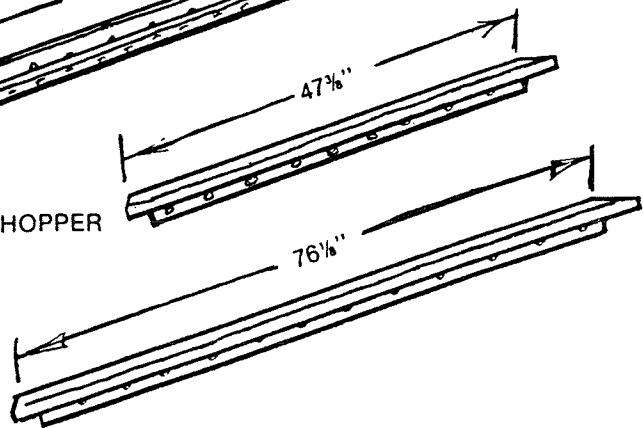


CORNER ANGLE
1034-7600



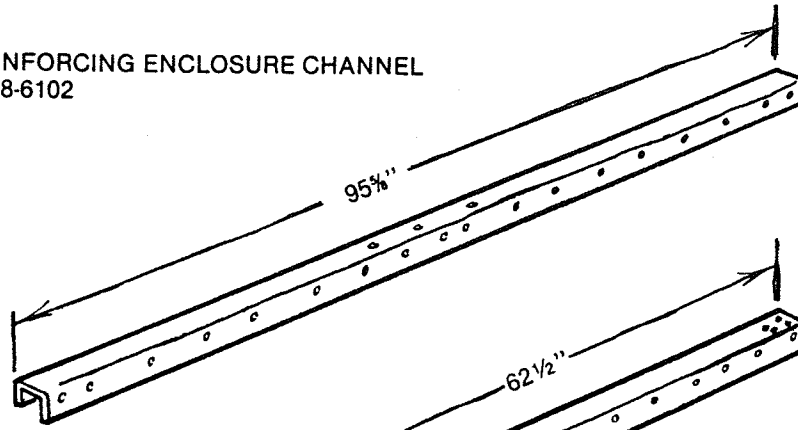
DIAGONAL CHANNEL HOPPER
1034-8600

ANGLE DIVIDER ASSY
9303-4770

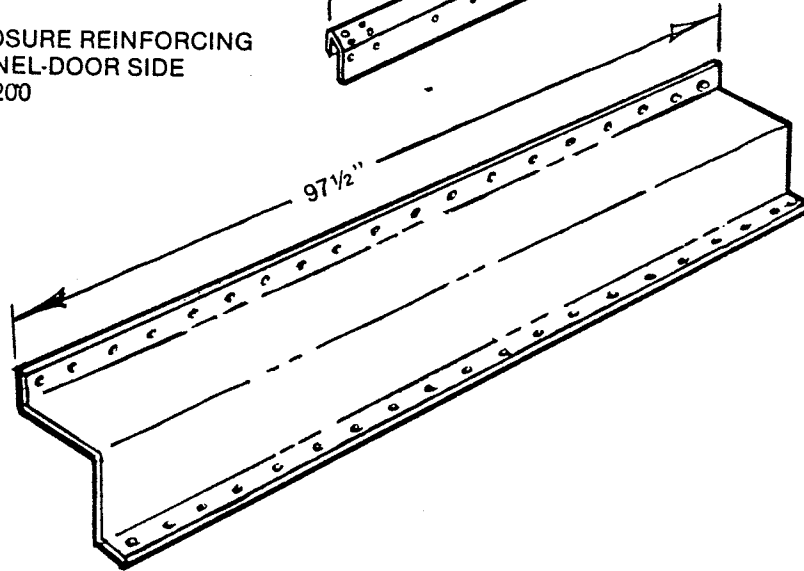
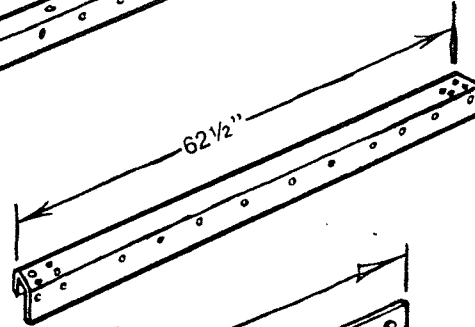


CHANNEL BIN DIAGONAL
1034-8700

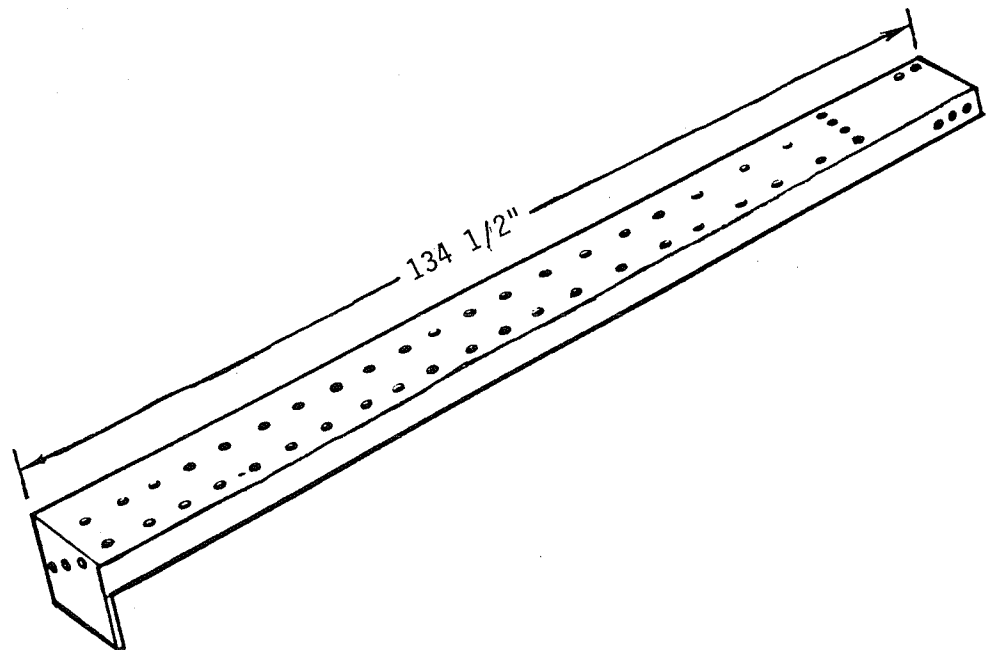
REINFORCING ENCLOSURE CHANNEL
1048-6102



ENCLOSURE REINFORCING
CHANNEL-DOOR SIDE
1048-6200

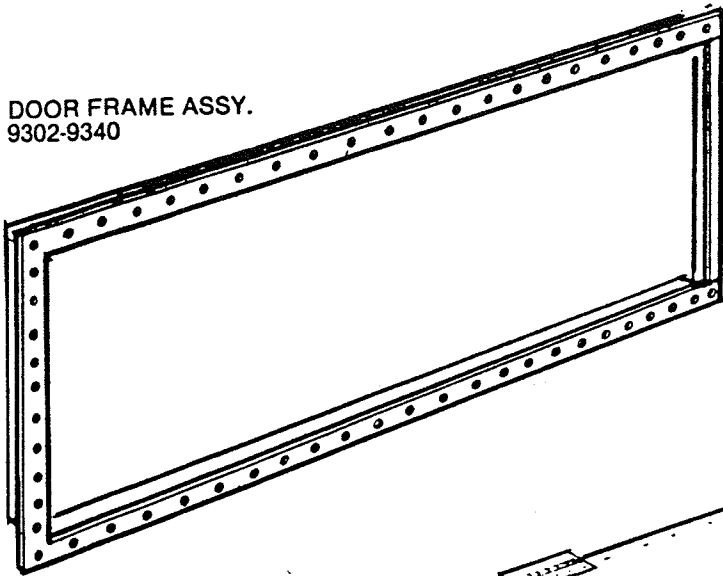


CORNER REINFORCING LEG ANGLE
1120-0530

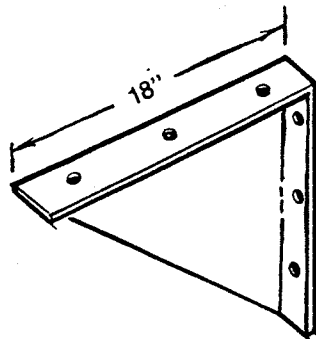
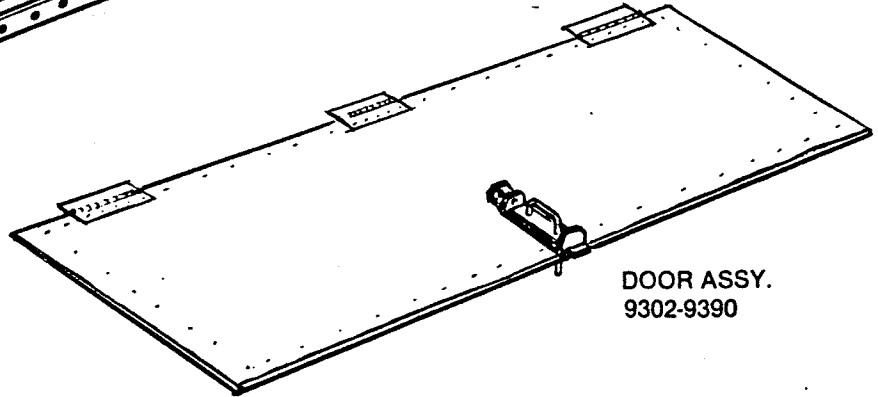


LEG ASSY.
9302-7720

DOOR FRAME ASSY.
9302-9340

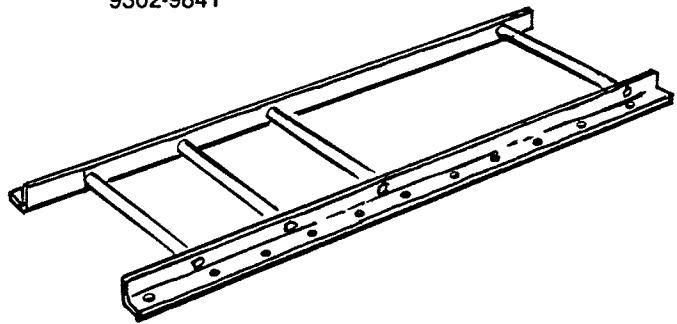


DOOR ASSY.
9302-9390

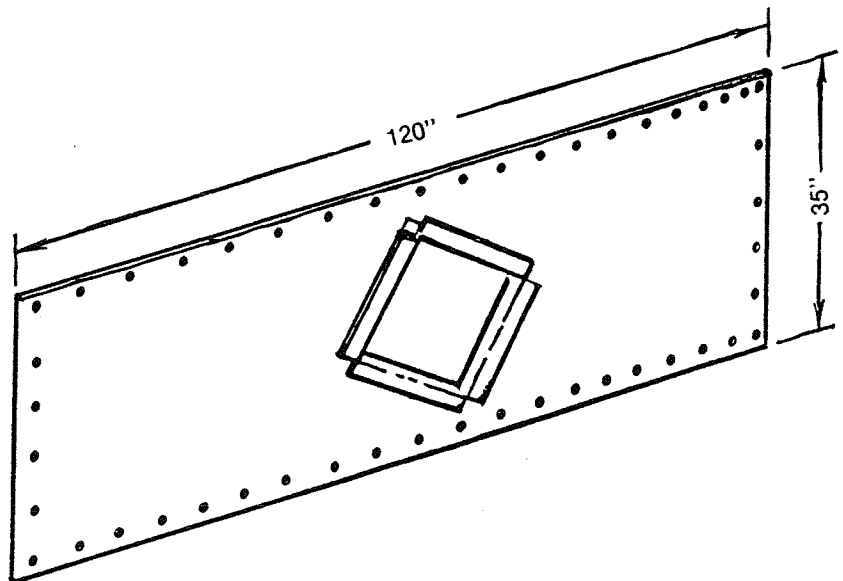


GUSSET ASSY.
9302-9820

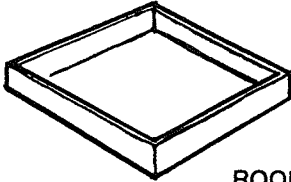
LADDER ASSY. ROOF
9302-9841



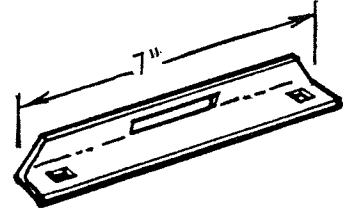
ENCLOSURE PANEL
9302-9990



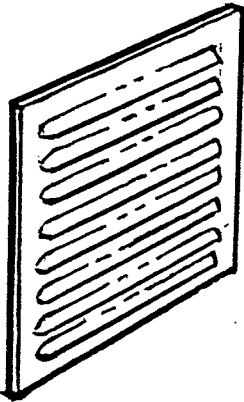
MISC. PARTS



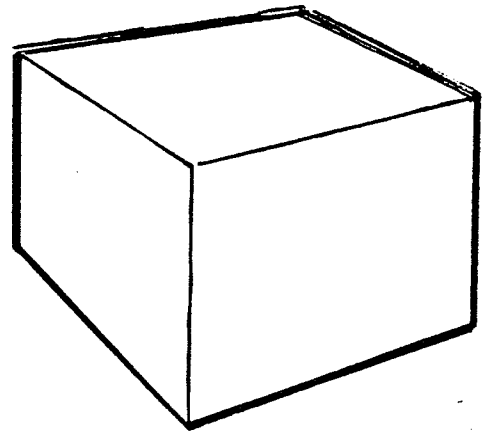
ROOF DOOR
1021-0800



STRIKE PLATE DOOR
1029-5800



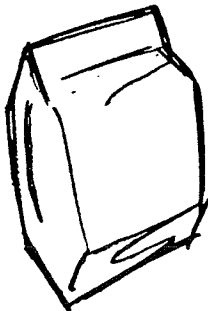
VENTILATORS 9303-1641
(4-IN SEPARATE CARTON)



MISC. PARTS CARTON 9303-1491

CONTAINS:

- (1) ROOF DOOR 1021-0800
- (2) STRIKE PLATE 1029-5800
- (3) PAPER BAG 8000-0001
- (4) VENTILATORS 9303-6141



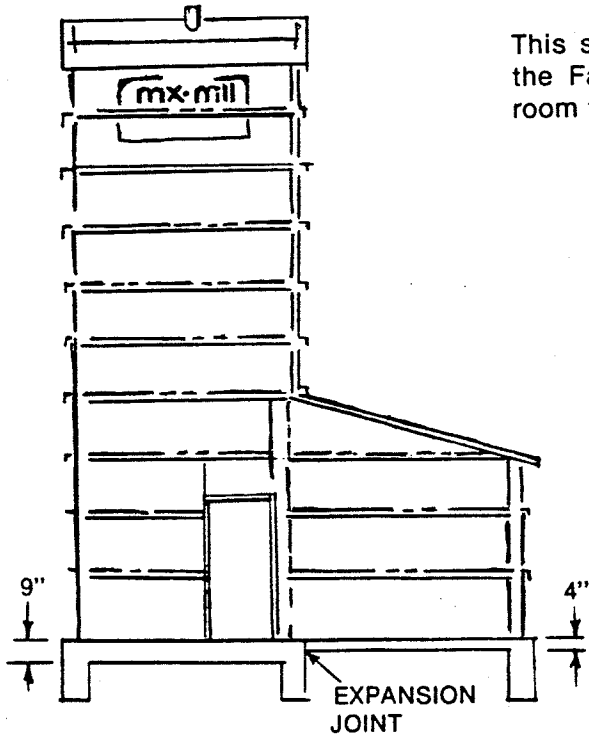
PAPER BAG 8000-0001

CONTAINS:

- (1) HANGER CLIP-ROOF DOOR 1026-3700
- (2) CARRIAGE BOLTS 6028-3317
- (3) $\frac{3}{8}$ " FLAT WASHERS 6640-4400
- (4) SNAP-IN BLANK 8001-0501

20-40 TON ADD-ON ROOM

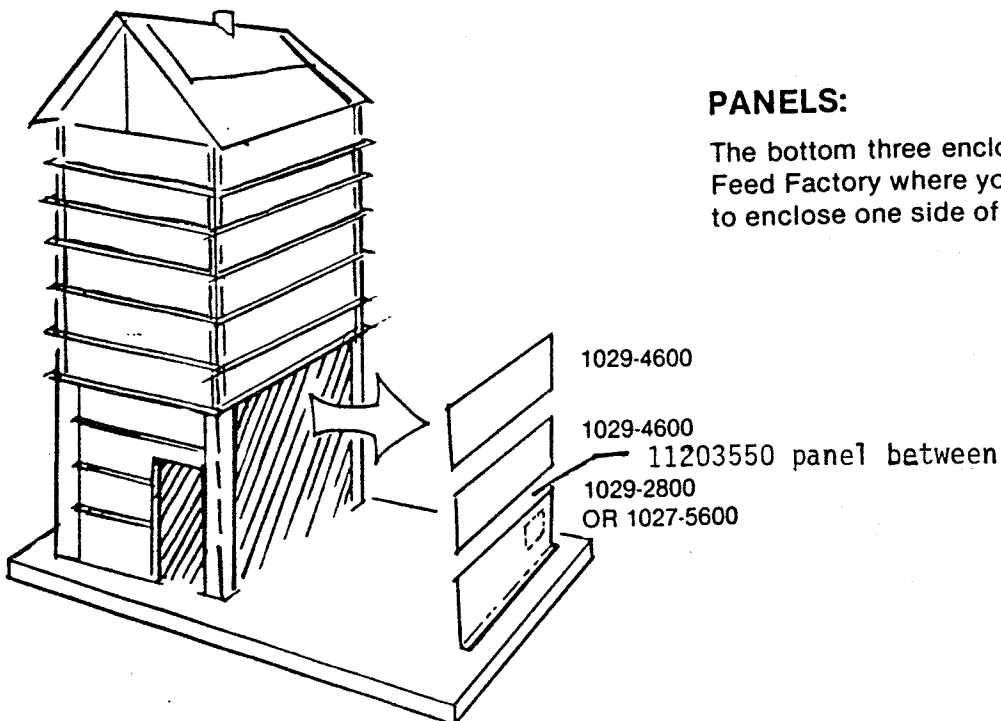
This sturdy, low-cost add-on room is designed to compliment the Farm Feed Factory and provides an extra 85.5 sq. ft. of room for bag storage or extra feed making equipment.



FOUNDATION:

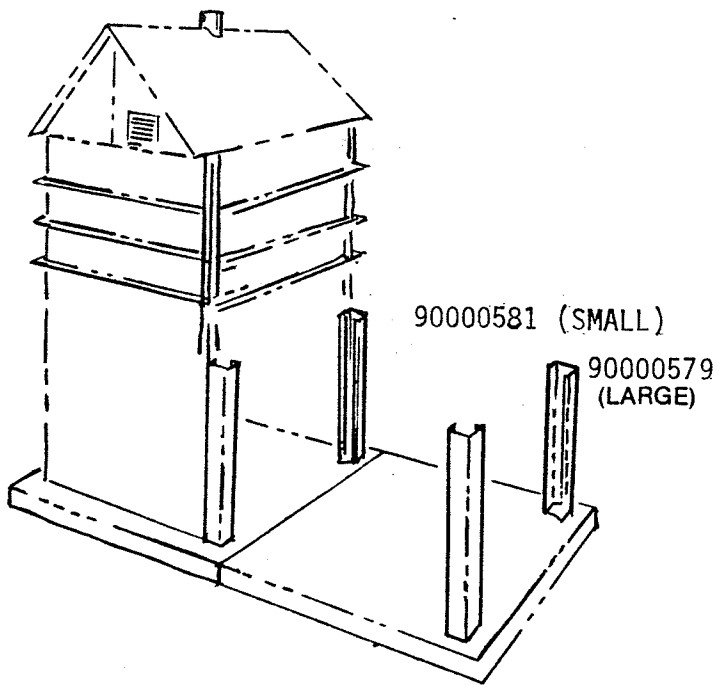
Before starting construction of the add-on room, it must be determined what type of equipment you will be housing inside this room and the type of soil composition your foundation will be

sitting on. If the soil conditions are ideal, a 4" thick pad would be sufficient to carry the weight of the add-on room itself, but we recommend the use of a foundation footer to freeze level, this will keep the floor free from damage and rodents.



PANELS:

The bottom three enclosure panels off side of the Feed Factory where you attach room will be used to enclose one side of the add-on room.



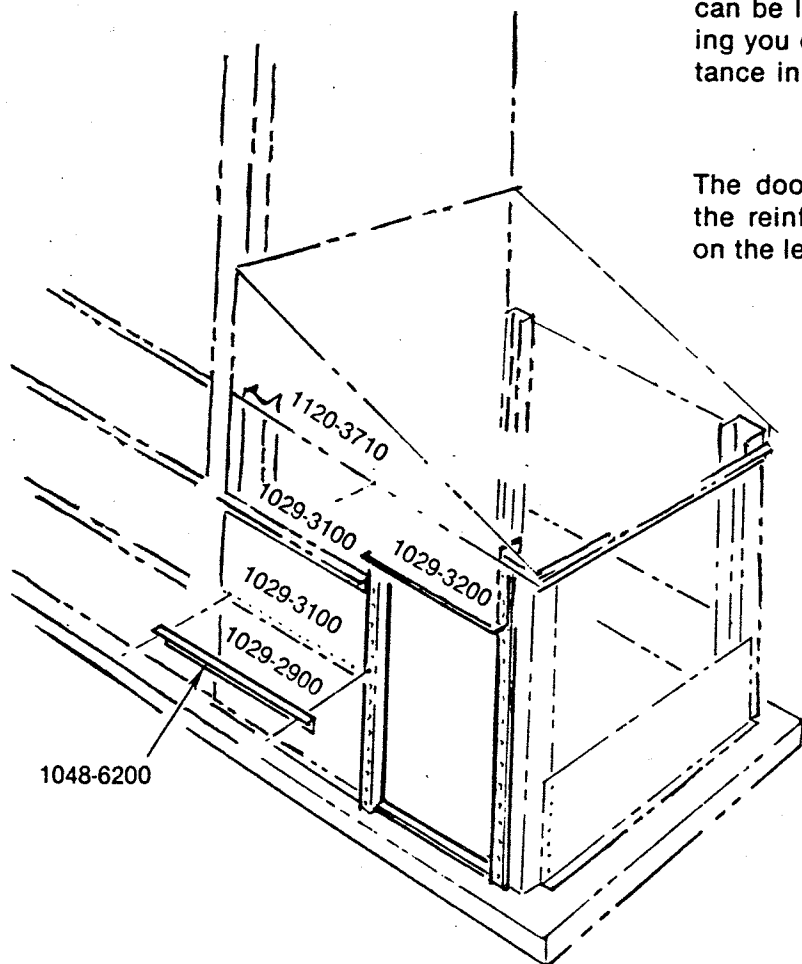
LEGS:

Next, attach front legs (90000581) to the main support legs on the FFF. Anchor the heavier legs (90000579) to the foundation by placing anchor plates in base of leg over bolts coming out of concrete. The anchor bolts should be placed by measuring diagonally across opposite corners to insure squareness of the room. These anchor bolts should be placed by measuring diagonally across opposite corners of structure.

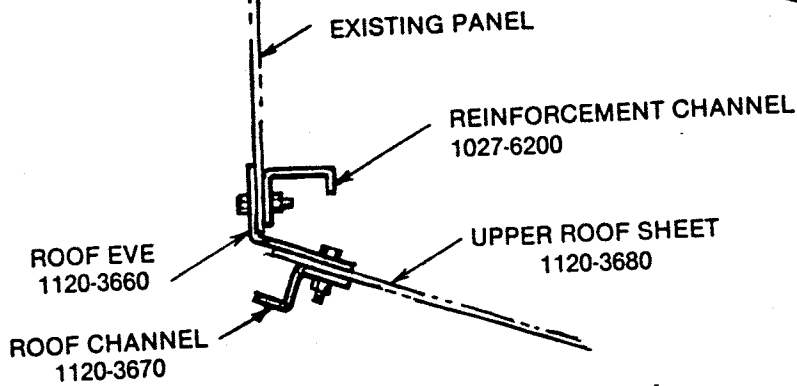
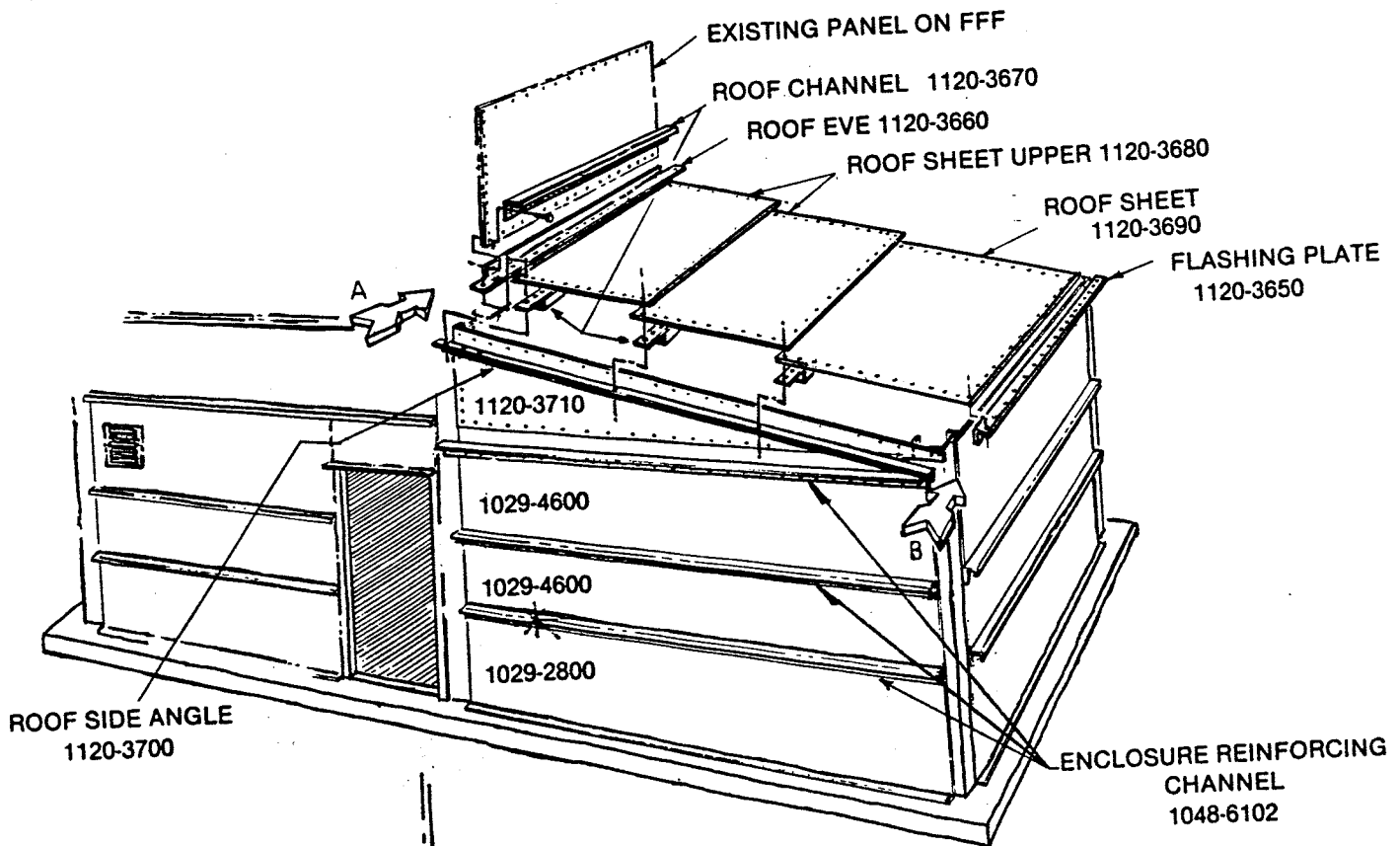
DOOR FRAME:

If your add-on room is equipped with a door it can be located on any of the sides of the building you choose, since each side is the same distance in length.

The door should be located to the right since the reinforcement channels are designed to go on the left side.

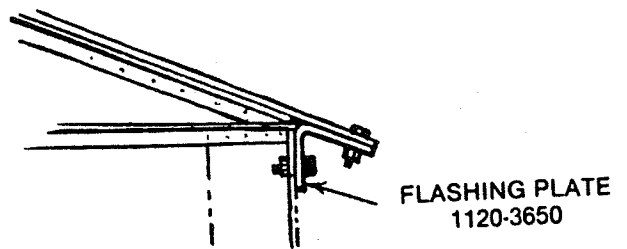


It is necessary to start at the bottom and work upward when installing enclosure panels, caulking of these panels should be done at time of assembly to avoid leakage later on. It is recommended you use the strip type 9304-1586 or the silastic 8001-1501 caulking supplied with the building for best results, proper caulking is essential when lapped edges of roof panels points into wind.



VIEW IN DIRECTION OF ARROW-A

*11203550 panel between 10294600 & 10292800



VIEW IN DIRECTION OF ARROW-B

PACKING SLIPS, Continued

92000795

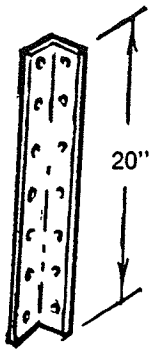
20-40 TON LEAN-TO BUILDING

ITEM NO.	PART NO.	QTY.	DESCRIPTION
1	1029-2800	2	Bottom Enclosure Panel
2	1029-4600	3	Enclosure Panel
3	1048-6102	7	Reinforcing Channel
4	1120-3650	1	Flashing Plate
5	1120-3660	1	Roof Eve
6	1120-3670	3	Roof Channel
7	1120-3680	2	Roof Sheet-Upper
8	1120-3690	1	Roof Sheet-Lower
9	1120-3700	2	Roof Side Angle
10	1120-3710	1	Roof Side-Left
11	1120-3720	1	Roof Side-Right
12	90000581	2	Front Leg-Welded
13	90000579	2	Back Leg-Welded
14	9200-0503	1	20-40 Ton Lean-To Hardware Package
15	11203550	2	Side Panel
16	11210840	1	Panel Enclosure w/Vent
17	80017505	1	Ventilator Assembly

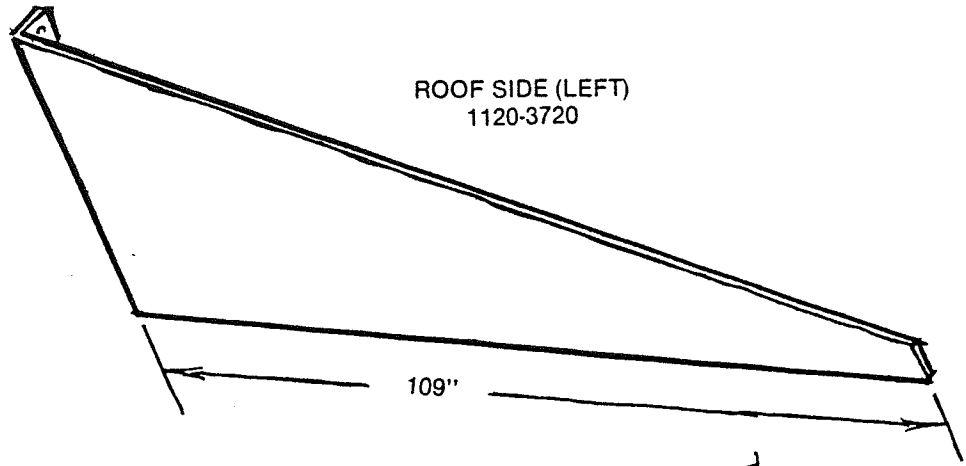
92000796

20-40 TON LEAN-TO BUILDING W/DOOR

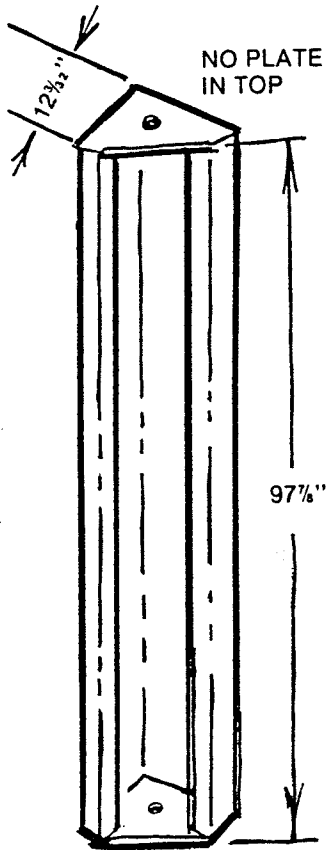
ITEM NO.	PART NO.	QTY.	DESCRIPTION
1	1029-2800	1	Bottom Enclosure Panel
2	1029-2900	1	Bottom Enclosure Panel-Door Side
3	1029-3100	1	Enclosure Panel-Door Side
4	1029-3200	1	Enclosure Panel Above Door
5	1029-4600	2	Enclosure Panel
6	1048-6102	3	Reinforcing Channel
7	1048-6200	2	Enclosure Reinforc. Channel-Door Side
8	1120-3650	1	Flashing Plate
9	1120-3660	1	Roof Eve
10	1120-3670	3	Roof Channel
11	1120-3680	2	Roof Sheet-Upper
12	1120-3690	1	Roof Sheet-Lower
13	1120-3700	2	Roof Side Angle
14	1120-3710	1	Roof Side-Left
15	1120-3720	1	Roof Side-Right
16	11210840	1	Panel - Above Door w/Vent.
17	90000581	2	Front Leg-Welded
18	90000579	2	Back Leg-Welded
19	9200-0503	1	20-40 Ton Lean-To Hardware Package
20	9302-9340	1	Door Frame Assembly
21	9302-9390	1	Door Assembly
22	11203560	1	Side Panel Short
23	11203550	1	Side Panel
24	80017505	1	Ventilator Assv



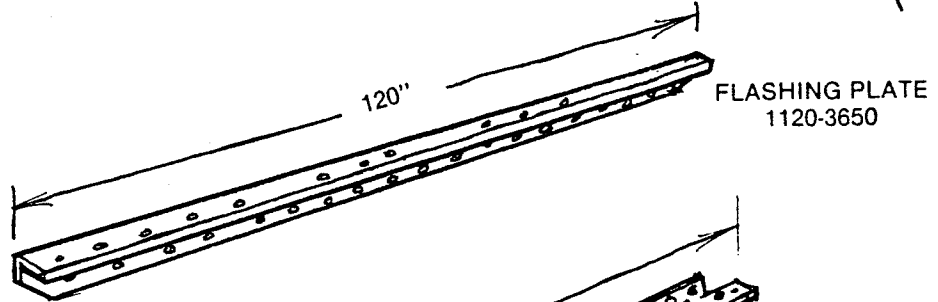
DOOR FRAME TIE
1120-3750



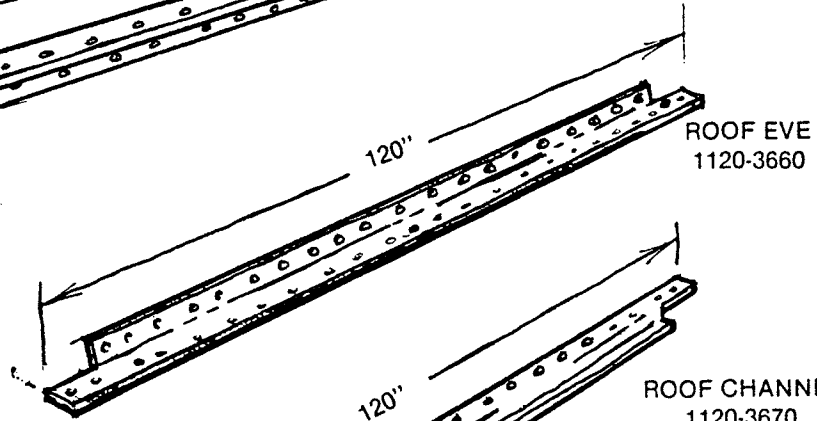
ROOF SIDE (LEFT)
1120-3720



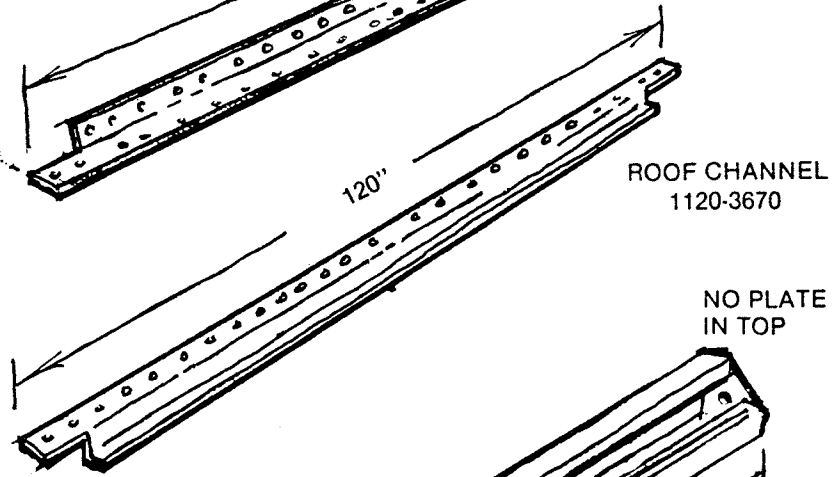
BACK LEG 9000-0316



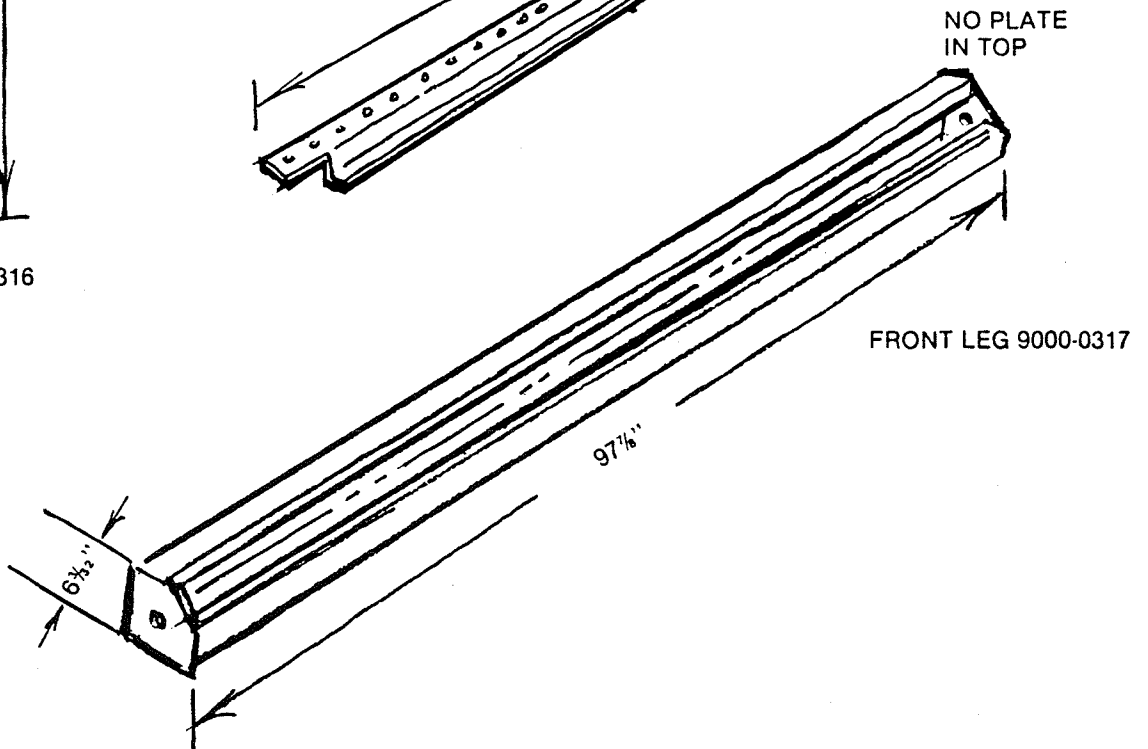
FLASHING PLATE
1120-3650



ROOF EVE
1120-3660



ROOF CHANNEL
1120-3670



FRONT LEG 9000-0317

