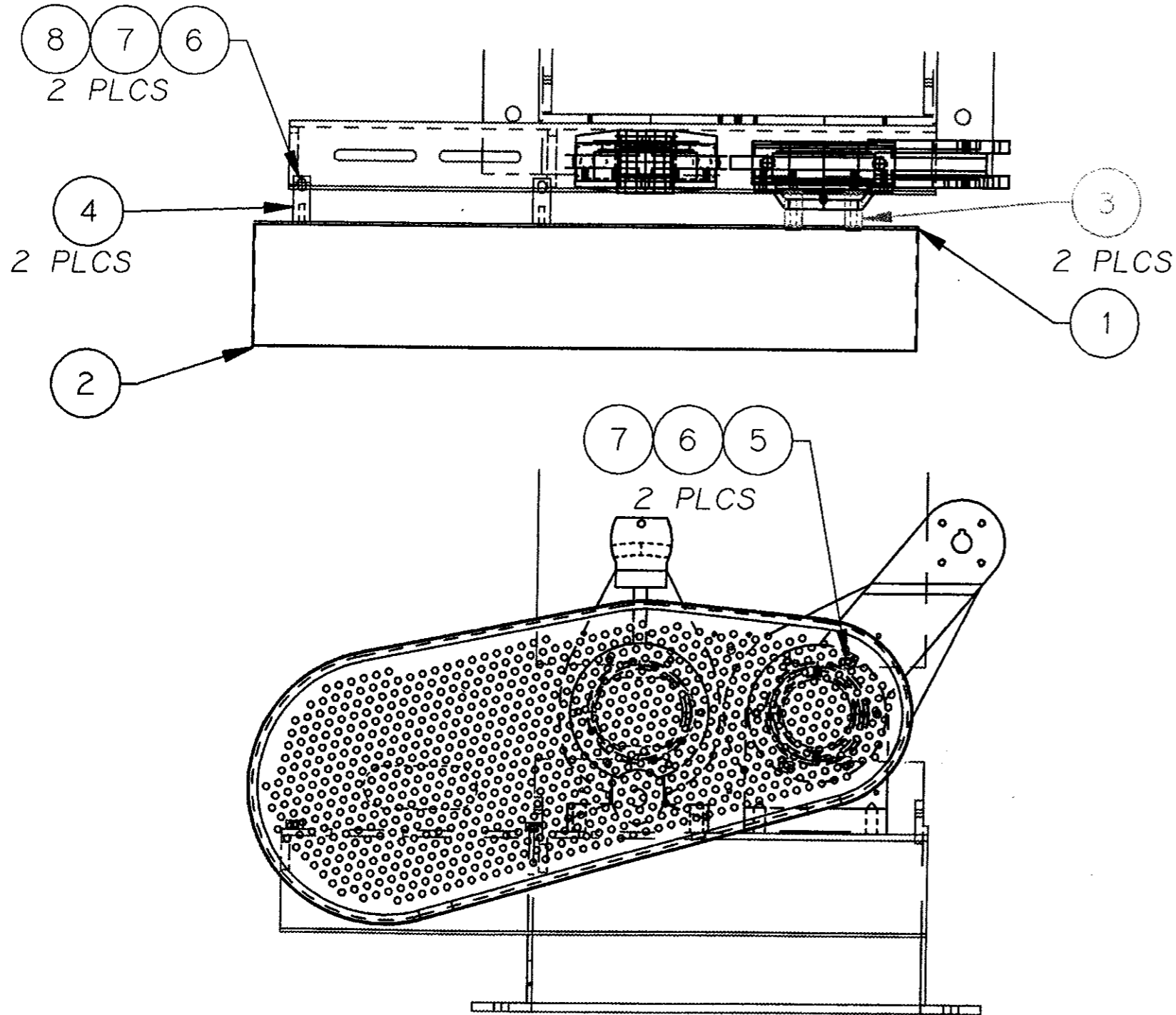


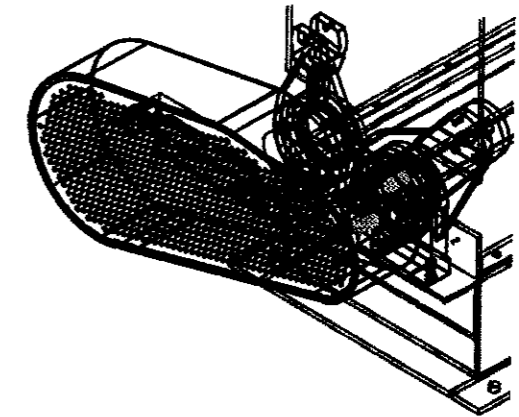
NOTES:

1.) DO NOT SCALE DRAWING



FASTEN COVER (ITEM 2) TO BACK (ITEM 1) WITH 5/16 SELF-TAPPING SCREWS (ITEM 9)

| SYM | EON/NFR NO. | DATE | DESCRIPTION OF CHANGE | DR | CK |
|-----|-------------|---------|-----------------------|----|----|
| - | K960005 | 2/12/96 | REDRAWN ON CAD | DJ | - |



ISOMETRIC VIEW 1/16 SCALE

| 9 | 65683812 | 13 | 5/16-12x1/2 HX WSH HD T/C SCW |
|------|------------|-----|-----------------------------------|
| 8 | 62584422 | 4 | 3/8-16X1.00 HHCS |
| 7 | 66444400 | 6 | 3/8 LOCK WASHER |
| 6 | 66394400 | 6 | 3/8 WASHER |
| 5 | 62584446 | 2 | 3/8-16X3-1/2 HHCS |
| 4 | K200-04340 | 2 | GUARD, DIFF MTG BRACKET 10" |
| 3 | K200-04339 | 2 | GUARD, DIFF SCW SPACER 10" |
| 2 | K200-02231 | 1 | CVR WLDMT, DIF GD 10" 5C LH 1.5:1 |
| 1 | K200-02223 | 1 | BK, DIFF GD 10" LH 1.5:1 |
| ITEM | PART NO. | QTY | DESCRIPTION |

| | | | |
|--|---------------------------------------|---|---------------------------|
| CAD NO MANUAL CHANGES | | | |
| Tolerances (EXCEPT AS NOTED) | | A DIVISION OF B.A.I.C. SINCE 1869 BLUFFTON, INDIANA, U.S.A. | |
| DECIMAL .XXX ± .005 .XX ± .030 | FINISH: TOUCH UP W/LT GRAY PAINT | SCALE 1/8 | DRAWN BY: DJ |
| FRACTIONAL ± 1/32 | TITLE ASSY, DIF GD 10" 5C LH 1.5:1 | | |
| ANGULAR ± 1/2° | DATE 2/12/96 | SIZE B | DRAWING NO. K100-00313 |
| | | | SHEET 1 OF 1 |