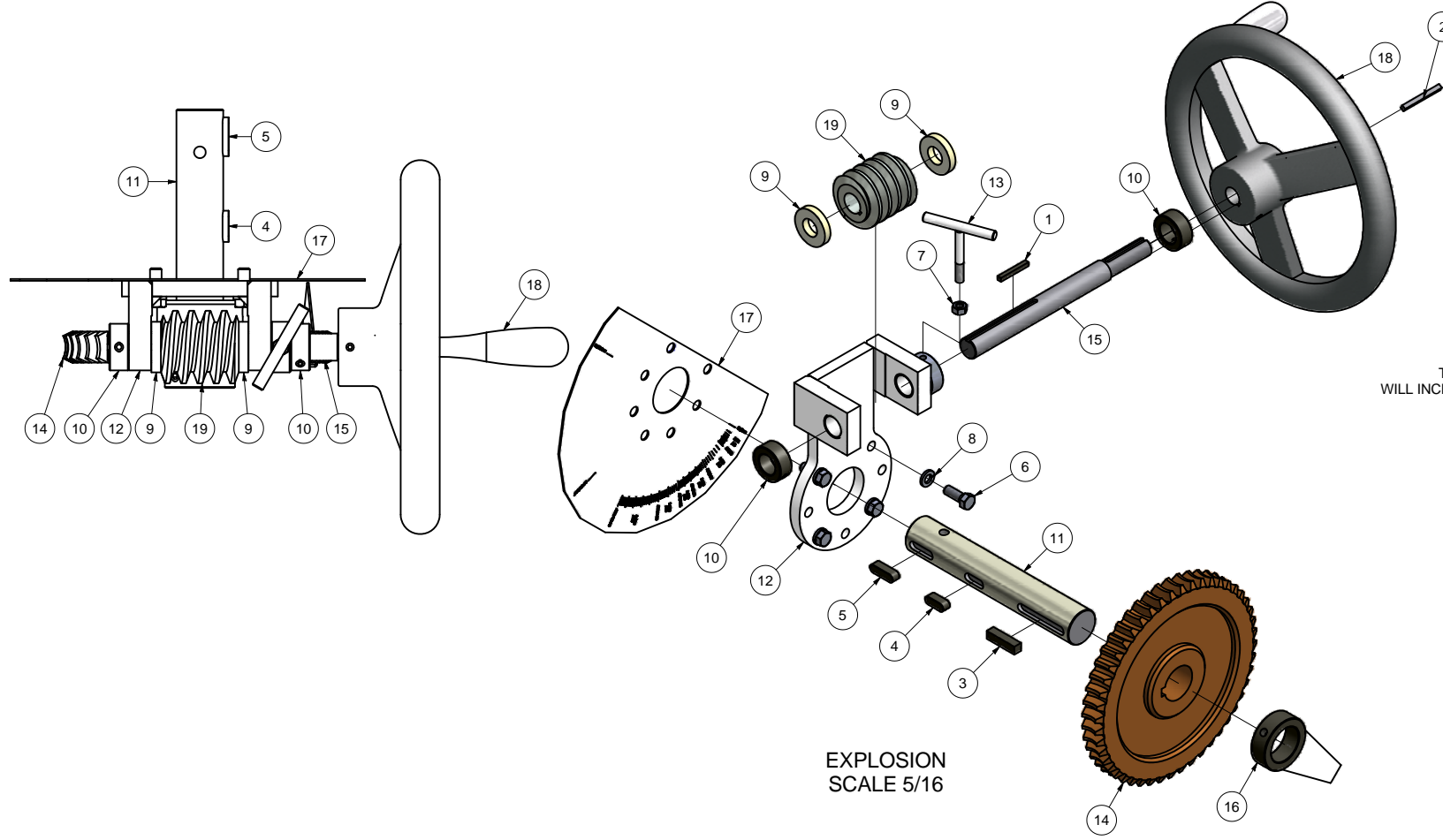
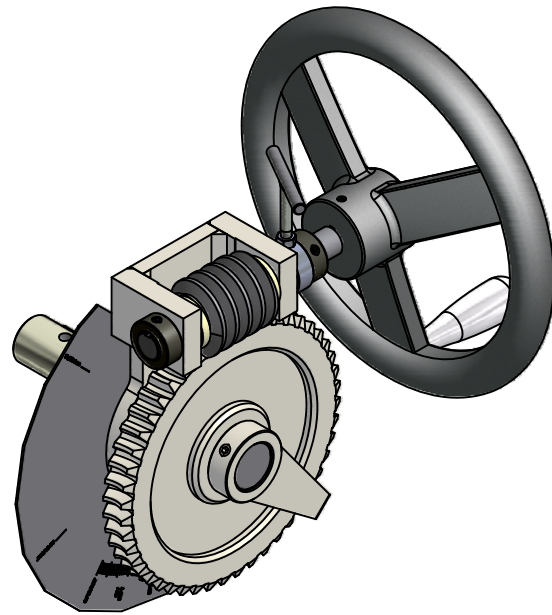
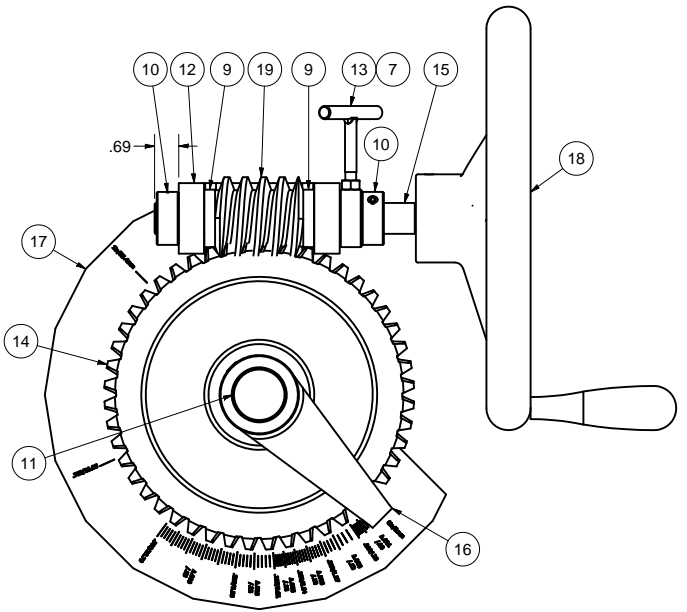
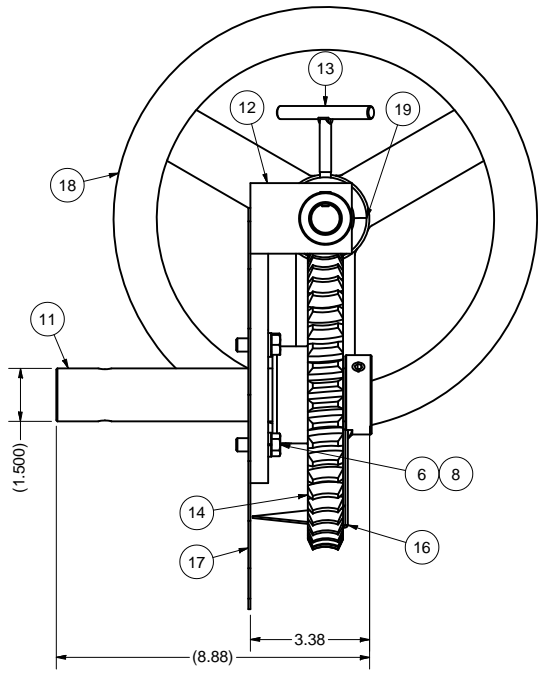
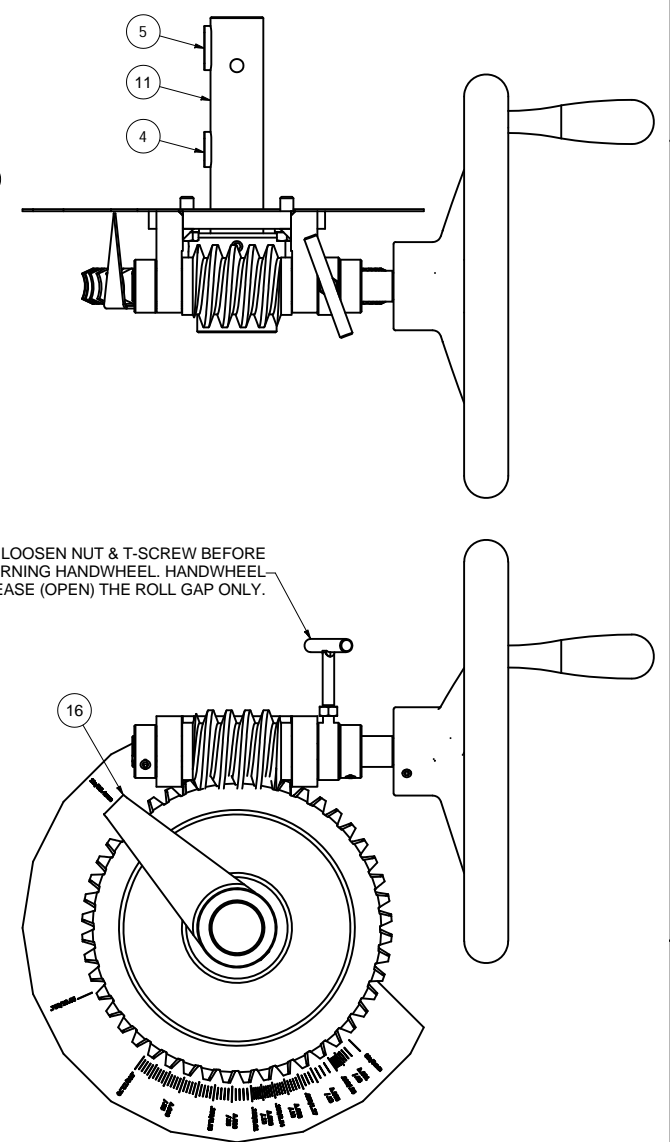


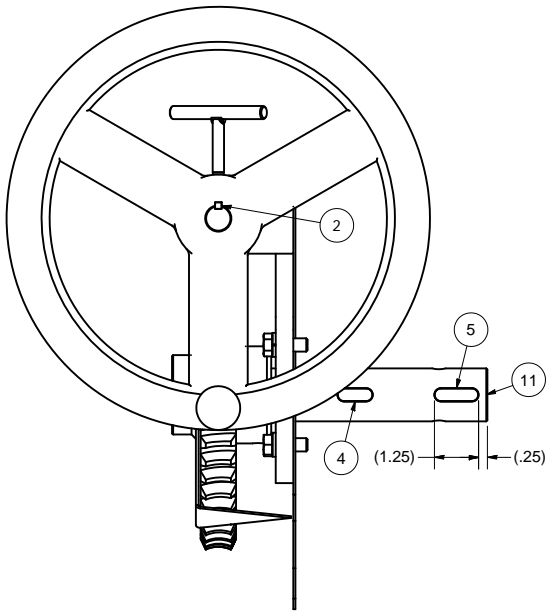
REVISION HISTORY				
REV	ECN	DESCRIPTION	DATE	APPROVED
A	K020060	REDRAWN CAD	8/8/2002	PGGALEA
B	K060159	REDRAWN INVENTOR, WAS B-SIZE	11/29/2006	DMJOHNSON
C	K110070	NEW K905-00201, ADD 49000432, K200-10039 WAS K200-10038	4/6/2011	dcclark
D	K110112	ROTATE K200-10039 DOWN 45 DEG	5/26/2011	dmjohnson



EXPLOSION  
SCALE 5/16



ROLLS CLOSED



ROLLS OPEN

19	K922-00401	1	WORM, STL UNHARD 6P 1T 14.5PA RH, 2.000" PD X 2.50 X .875ID
18	K905-00201	1	HANDWHEEL, AL, 12" OD 0.75" ID W/KEY
17	K200-10039	1	PLATE, INDICATOR, LH MICRO RL RLSE, 12/18"
16	K200-10030	1	POINTER W/LDMT, MICRO ROLL RLSE, 12/18"
15	K200-00686	1	SHAFT, ROLL ADJ, MICRO HANDWHEEL 12/18"
14	K200-00669	1	GEAR, WORM 8.00", MICRO HANDWHEEL
13	K200-00665	1	T SCREW W/LDMT, MICRO ROLL RELEASE
12	K200-00653	1	BRACKET W/LDMT, WORM GEAR LH 8", 12/18"
11	K200-00108	1	ROD, ECC, MICRO ROLL RELEASE 220, 12/18"
10	80012005	2	COLLAR, SET .875 X 1.50 X .56"
9	70011516	2	WASHER, FLAT .78X1.63X.30" NYLATRON
8	66444400	4	WASHER, LOCK HELICAL 3/8"
7	66083800	1	NUT, HEX 5/16-18
6	62584422	4	HHCS, 3/8-16 X 1.00"
5	49400820	1	KEY, SQUARE, RND END .375 X 1.25"
4	49400816	1	KEY, SQUARE, RND END .375 X 1.00"
3	49000824	1	KEY, SQUARE .375 X 1.50"
2	49000432	1	KEY CS 3/16 X 3/16 X 2
1	49000424	1	KEY, CS 3/16 X 3/16 X 1.5"

This drawing is the property of the A.T. Ferrell Company, Inc. and must be returned immediately upon request. No part of this drawing may be reproduced, stored in a retrieval system or transmitted in any form or by any means, without prior written consent of the A.T. Ferrell Company, Inc.	E C F NO MANUAL CHANGES EXCEPT AS NOTED		
	DIVISION OF A. T. FERRELL COMPANY SINCE 1867 BLUFFTON, INDIANA - USA	SCALE: 0.38:1 DRAWN BY: dcclark APPROVED BY: DMJ	TITLE: MICRO ROLL RELEASE ASSY, 220 LH 12/18" DATE: 11/29/2006 SIZE: D PART NUMBER: K100-00493 SHEET: 1 of 1

NOTES:  
1. DO NOT SCALE FROM DRAWING.  
2. LINE ITEM ON SALES ORDER, SEE SALES ORDER FOR REQUIREMENT.