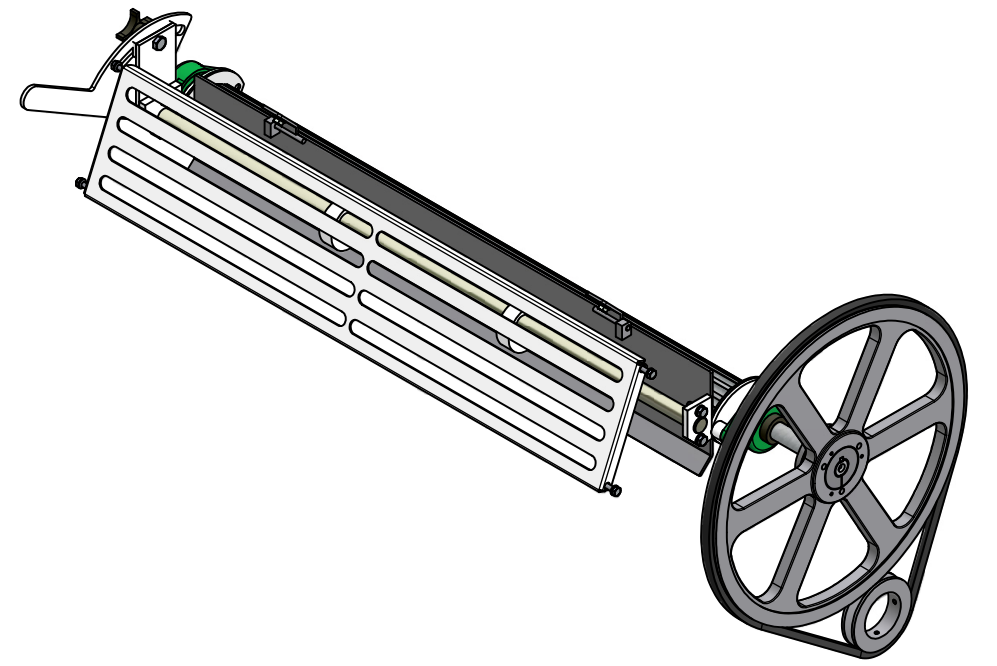
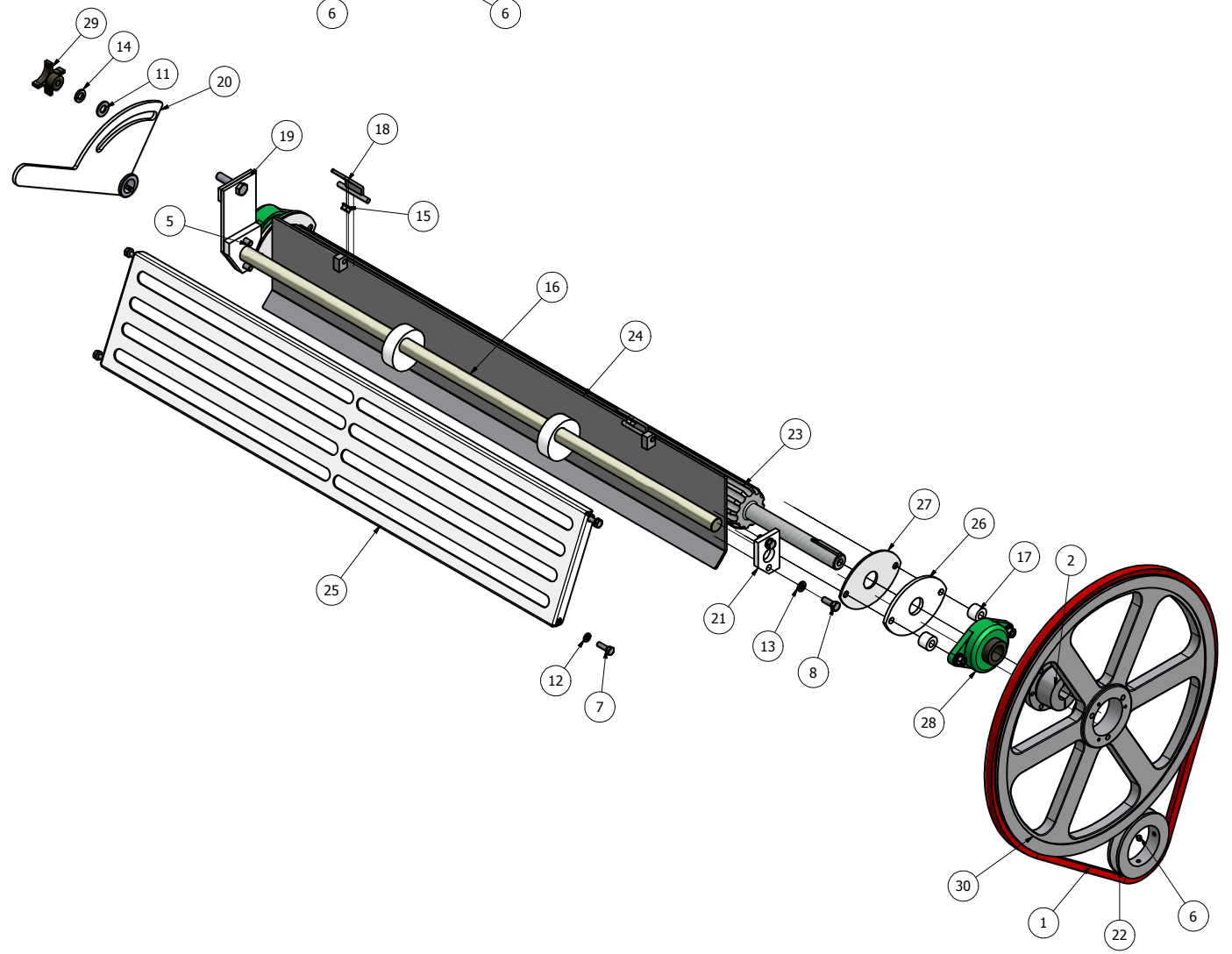
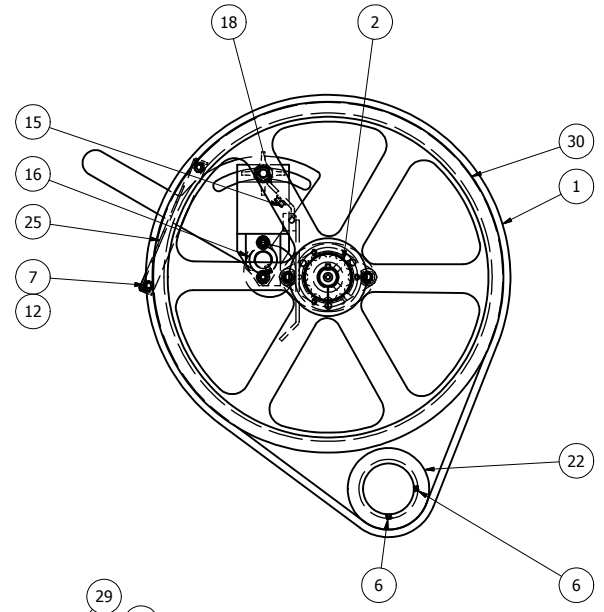
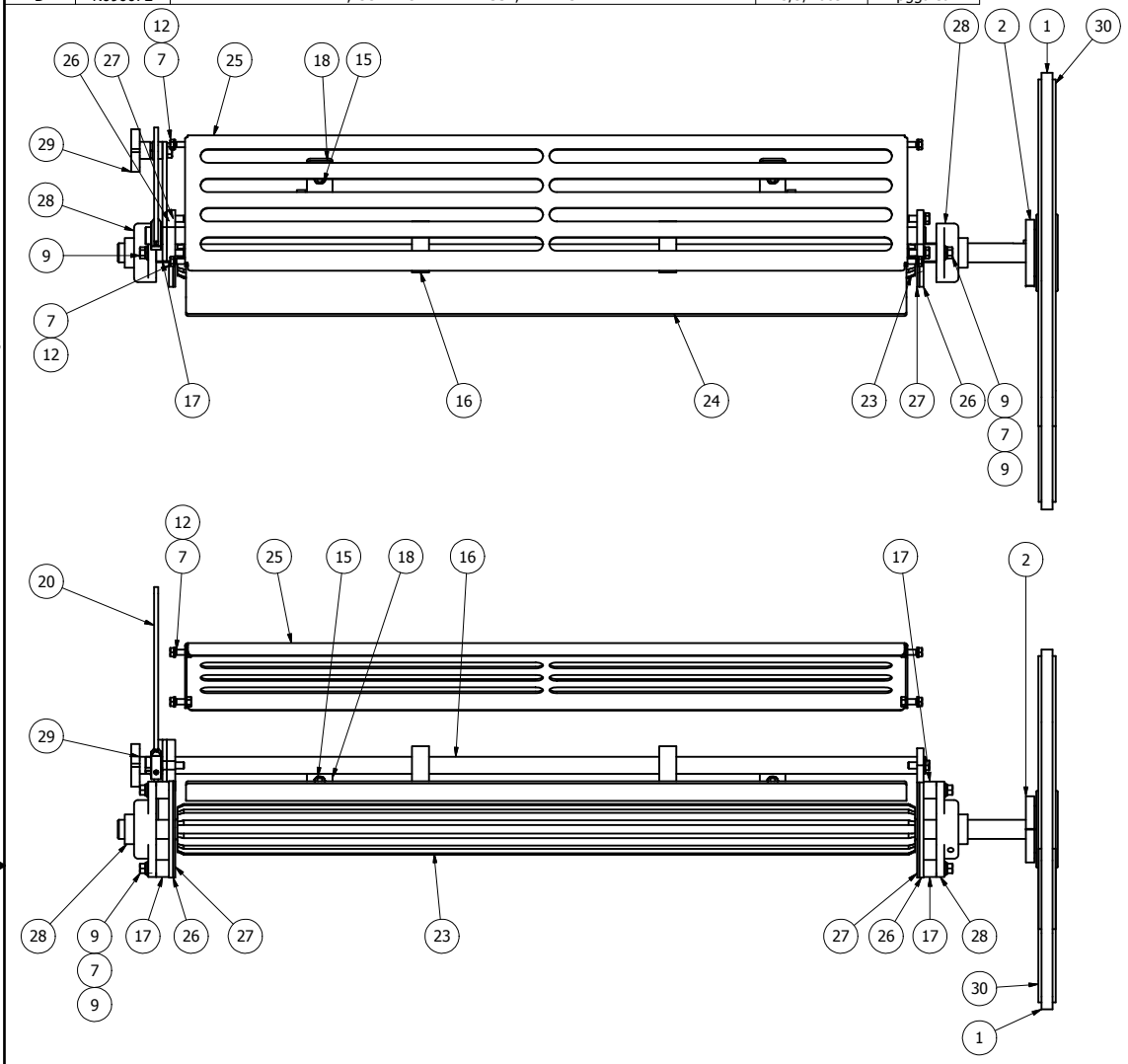


REV	ECN	REVISION HISTORY DESCRIPTION	DATE	APPROVED
A	K990047	RELEASED	7/15/1999	dmjohnson
B	K990057	REPLACE K200-01665W/K200-01664 IN K100-00611, 12 & 13	8/3/1999	dmjohnson
C	K080120	WAS SIZE "D" K100-00611-16	9/3/2008	pggalea
D	K090072	ADDED, CONTROL LEVER ASSY, FEED GATE RH	3/9/2009	pggalea



ITEM	PART NUMBER	QTY	DESCRIPTION
30	K915-14101	1	SHEAVE, 1B20.0 SK
29	K910-01261	1	KNOB, CAST 1/2-13 OPEN
28	K902-04401	2	BRNG, F2B-SXV-102 1.125" W/COLLAR
27	K201-05365	2	SPACER, FEED ROLL, TEFLON
26	K201-05364	2	SPACER, BRNG OUTER, FEED ROLL 10-12"
25	K200-05609	1	GUARD, NIP, ROLL FEED 10 X 42"
24	K200-01956	1	GATE WLDMT, FEED ROLL 10 X 42"
23	K200-01726	1	ROLL, FEED 10 X 42"
22	K200-01665	1	SHEAVE, DRIVE, FEED ROLL 2.94"
21	K200-00894	1	PLT, CVR FEED GATE ECC 10-12"
20	K200-00831	1	HANDLE WLDMT, ECC FEED GATE 10-12"
19	K200-00830	1	BRKT WLDMT, LEVER FEED GATE 10-12"
18	K200-00820	2	HINGE, FEEDER GATE 10-12"
17	K200-00787	4	BUSHING, FEED ROLL CDS 10"
16	K100-00626	1	SHAFT WLDMT, ECC FEED GATE 10X42"
15	66784400	2	NUT, HEX SERR LOCK 3/8-16
14	66445200	1	WASHER, LOCK HELICAL 1/2"
13	66444400	6	WASHER, LOCK HELICAL 3/8"
12	66443800	4	WASHER, LOCK HELICAL 5/16"
11	66405200	1	WASHER, FLAT 1/2" TYPE A
10	66404400	4	WASHER, FLAT 3/8" NARROW TYPE A
9	66084400	4	NUT, HEX 3/8-16
8	62584422	2	HHCS, 3/8-16 X 1.00"
7	62583822	4	HHCS, 5/16-18 X 1.00"
6	61663805	2	SCW, SET 5/16-18 X .25" HEX SCKT FLAT PT
5	61304426	2	SCW, CAP FLT SCKT HD 3/8-16X1.25"
4	49000632	1	KEY, 1/4" SA. 2.00"
3	49000608	1	KEY, 1/4" SQ X 1/2"
2	44010912	1	BUSHING, QD SK 1.125
1	40000520	6'	V-BELT SZ B LINK TYPE PWR CR

NOTES:  
 1. DO NOT SCALE FROM DRAWING.  
 2. ONE PIECE REQUIRED PER K000-01235: ROLLER MILL, SINGLE HI. ROLL FEED, 10 X 42".  
 3. RIGHT HAND MILL SHOWN, ASSEMBLE OPPOSITE FOR LEFT HAND, SEE SALES ORDER.  
 4. INSTALL CONTROL LEVER ASSY AND FEED GATE, BEFORE WELDING THE ECC SHAFT WELDMENT IN PLACE.  
 5. INSTALL DRIVE GUARD BACKPLATE BEFORE INSTALLING DRIVE AND DRIVEN FEED ROLL SHEAVES.

This drawing is the property of the A.T. Ferrell Company, Inc and must be returned immediately upon request. No part of this drawing may be reproduced, stored in a retrieval system or transmitted in any form or by any means, without prior written consent of the A.T. Ferrell Company, Inc.

**CAD**  
NO MANUAL CHANGES

**TOLERANCES**  
EXCEPT AS NOTED

DECIMAL: .005 ± .005  
 .030 ± .030  
 FRACTIONAL: 1/32 ± 1/32  
 ANGULAR: ± 1/2

FINISH: NONE

SCALE: 0.18:1

DRAWN BY: pggalea

APPROVED BY:

TITLE: FEED ROLL ASSY, SHEAVE DRIVE 10 X 42" MILL

DATE: 8/7/2008

SIZE: D

PART NUMBER: K100-00616

SHEET: 1 of 1

**Ferrell-Ross**  
MATERIALS PROCESSING & RECOVERY  
SINCE 1869  
DIVISION OF A. T. FERRELL COMPANY  
BLUFFTON, INDIANA - USA