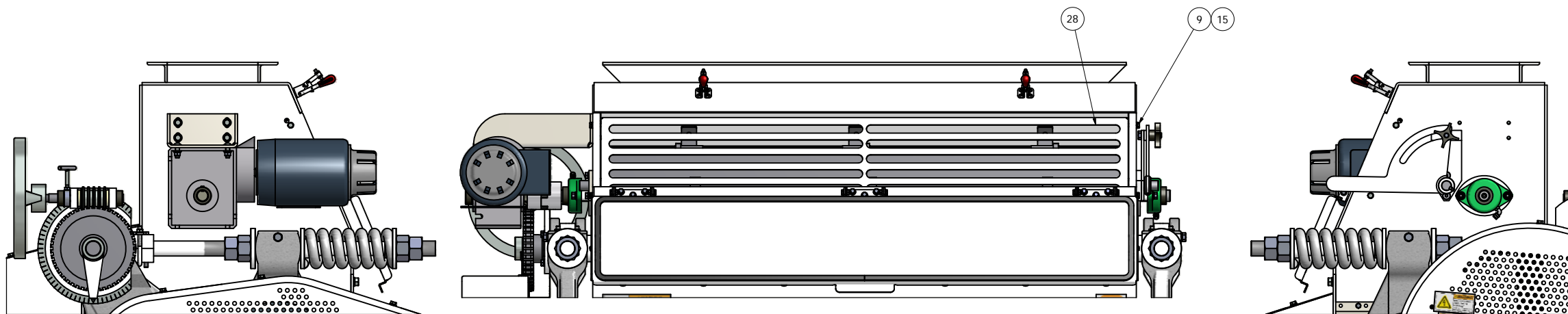
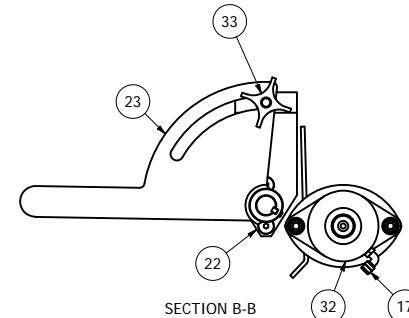
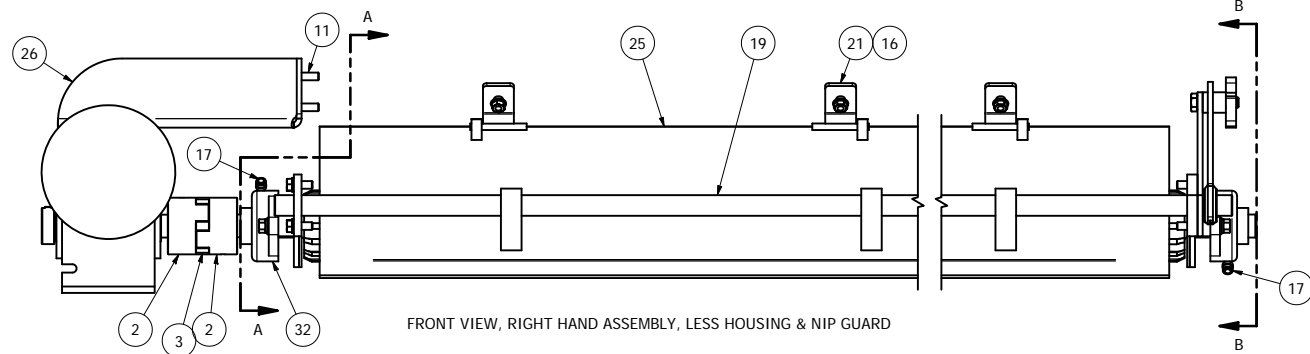
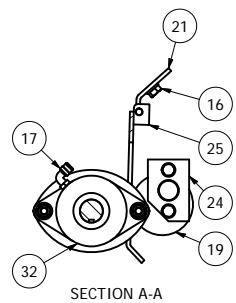
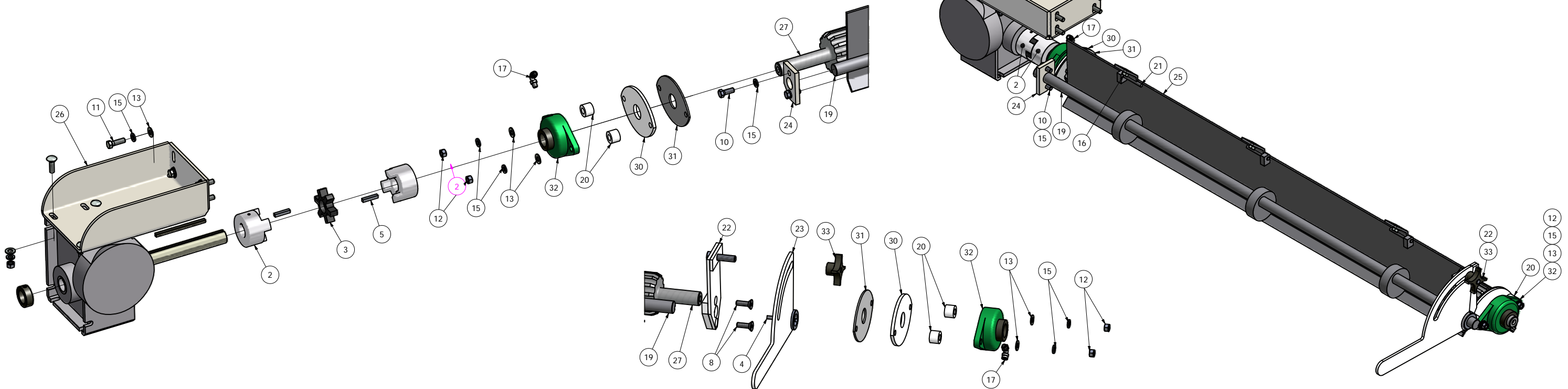


REVISION HISTORY

REV	ECN	DESCRIPTION	DATE	APPROVED
A	K020034	RELEASE	4/23/2002	dmjohnson
B	K020034	ADD 80012006, DELETE K200-01667, 49000624 WAS 49000632	5/2/2002	dmjohnson
C	K030079	ADD 49000608, 61304426, K200-00830, K200-00831, K200-00894 & K910-01261	11/20/2008	dmjohnson
D	K090021	UPDATED ASSY	1/20/2009	SH
E	K100264	ADD 40005520 & 49000820; DEL 49000672 & 80012006; 40002616, 62584417 & K200-05892 WAS 40002610, 60284426 & K200-01254; 40005518, 49000622, 62584422, 66084400 & 66444400 WAS 2X, 2X, 2X, 8X & 14X	12/1/2010	dmjohnson



- NOTES:
1. DO NOT SCALE FROM DRAWING.
  2. LINE ITEM ON SALES ORDER, ONE PIECE PER 12 X 52" ROLL FEED MILL.
  3. RIGHT HAND ASSEMBLY SHOWN, ASSEMBLE SYMMETRICALLY OPPOSITE FOR LEFT HAND DRIVE ARRANGEMENT.
  4. 3/4 HP C-FACE MOTOR & CONTROLLER ARE LINE ITEMS ON SALES ORDER.
  5. ALTERNATIVE DIMENSIONS IN MILLIMETERS.

INSTALL VIEWS  
SCALE 5/32

ITEM	PART NUMBER	QTY	DESCRIPTION
18	80012006	1	COLLAR, SET 1.125"
28	K200-01254	1	SHAFT, CPLG, SCR ROLL FD 1.13" 10-12"
7	60284426	4	BOLT, CARR 3/8-16 X 1.25"
6	49000672	1	KEY, SQUARE 1/4 X 4.50"
1	40002610	1	GEAR RDCR, 56C/1750 15:1 1.125"
33	K910-01261	1	KNOB, CAST 1/2-13 OPEN
32	K902-04401	2	BRNG, F2B-SXV-102 1.125" W/COLLAR
31	K201-05365	2	SPACER, FEED ROLL, TEFLON
30	K201-05364	2	SPACER, BRNG OUTER, FEED ROLL 10-12"
29	K200-05648	1	GUARD, NIP, ROLL FEED 12 X 52"
27	K200-01231	1	ROLL, FEED SCR 12 X 52"
26	K200-01024	1	MOUNT, REDUCER, SCR ROLL FEEDER, 10-12"
25	K200-00982	1	GATE WLDMT, FEED ROLL, 12 X 52"
24	K200-00894	1	PLATE, COVER, FEED GATE ECC, 10-12"
23	K200-00831	1	HANDLE WLDMT, ECC FEED GATE 10-12"
22	K200-00830	1	BRKT WLDMT, LEVER FEED GATE 10-12"
21	K200-00820	3	HINGE, FEEDER GATE 10-12"
20	K200-00787	4	BUSHING, FEED ROLL, 10"
19	K100-00627	1	SHAFT WLDMT, ECC FEED GATE 12 X 52"
17	70012050	2	CPLG, ELBOW 90 1/8-27M NPT X 1/4" TBG
16	66784400	3	NUT, HEX SERR LOCK 3/8-16
15	66444400	14	WASHER, LOCK HELICAL 3/8"
14	66443800	4	WASHER, LOCK HELICAL 5/16"
13	66404400	12	WASHER, FLAT 3/8" NARROW TYPE A
12	66084400	8	NUT, HEX 3/8-16
11	62584426	4	HHCS, 3/8-16 X 1.25"
10	62584422	2	HHCS, 3/8-16 X 1.00"
9	62583826	4	HHCS, 5/16-18 X 1.25"
8	61304426	2	SCW, CAP FLT SCKT HD 3/8-16X1.25"
5	49000622	2	KEY, SQUARE 1/4 X 1.38"
4	49000608	1	KEY, 1/4" SQ X 1/2"
3	40005519	1	INSERT, CPLG JS5N NEOPRENE
2	40005518	2	COUPLING, HALF 1.125" CHIPS

This drawing is the property of the A.T. Ferrell Company, Inc and must be returned immediately upon request. No part of this drawing may be reproduced, stored in retrieval system or transmitted in any form or by any means, without prior written consent of the A.T. Ferrell Company, Inc

**CAD**  
NO MANUAL CHANGES  
TOLERANCES EXCEPT AS NOTED

DEPARTMENT: DIVISION OF A. T. FERRELL COMPANY  
SCALE: 0.22:1  
DATE: 11/18/2008  
SIZE: D

TITLE: ROLL FEED ASSY, SCR, 12 X 52"  
PART NUMBER: K100-00637

FINISH: NONE  
SCALE: 0.22:1  
DRAWN BY: dmjohnson  
APPROVED BY: DMJ

SHEET: 1 of 1

