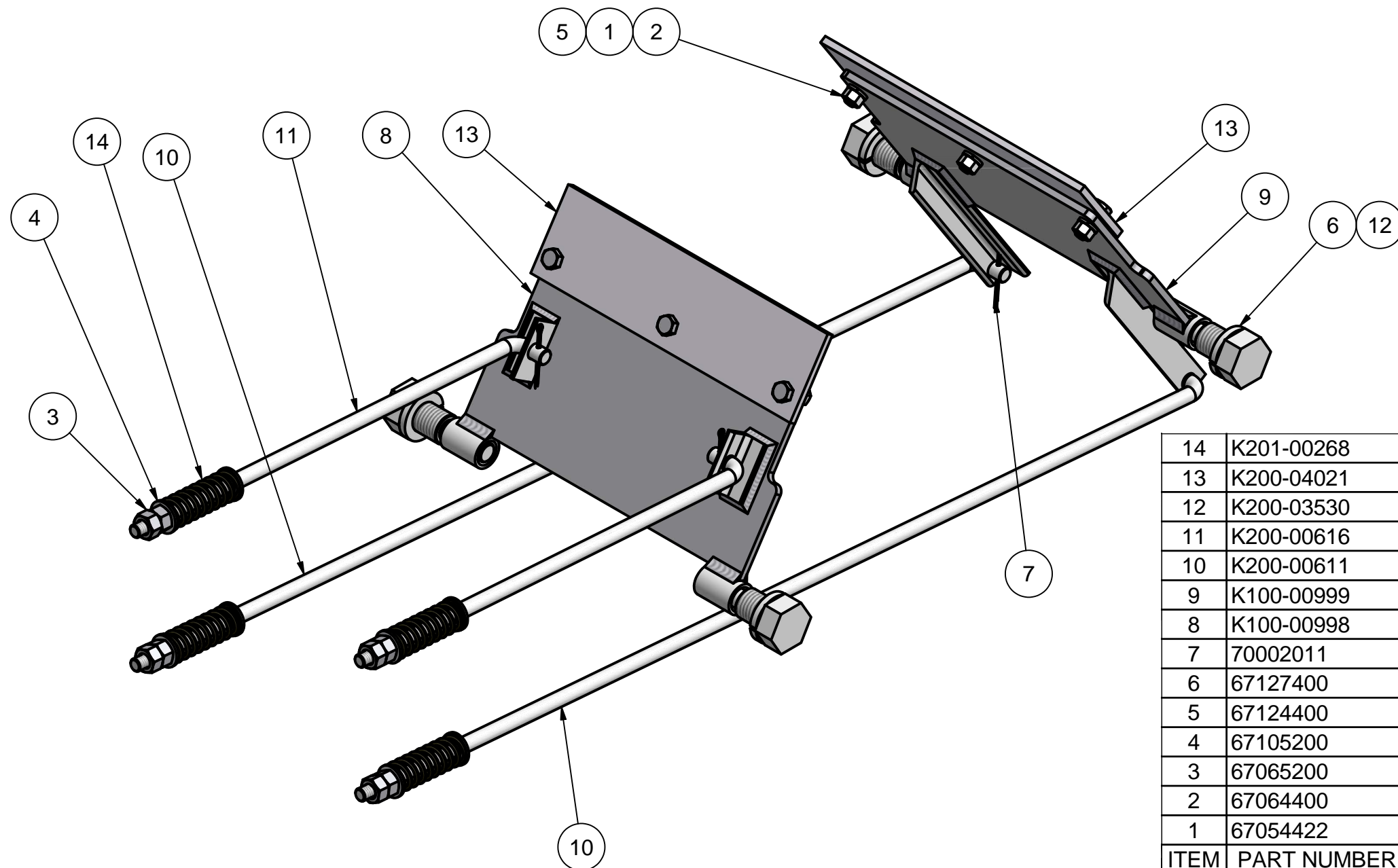



REVISION HISTORY				
REV	LTR	DESCRIPTION	DATE	APPROVED
A	K070029	RELEASED	2/27/2007	DMJOHNSON



14	K201-00268	4	SPRING, SCRAPER TENSION 2.75"
13	K200-04021	2	BLADE, SCRAPER .25", ALUM 18 X 12"
12	K200-03530	4	ROD, SCRAPER, REMOVEABLE 18/24"
11	K200-00616	2	ROD, SCRAPER TENSION, FRONT SS 18"
10	K200-00611	2	ROD, SCRAPER TENSION, REAR SS 18"
9	K100-00999	1	BRACKET WLDMT, SCRAPER, REAR SS 18/20 X 12"
8	K100-00998	1	BRACKET WLDMT, SCRAPER, FRONT SS 18/20 X 12"
7	70002011	4	PIN, COTTER 3/32 X 2.00" SS 18-8
6	67127400	4	WASHER, LOCK HELICAL T304 SS 1.00"
5	67124400	6	WASHER, LOCK HELICAL 18-8 SS 3/8"
4	67105200	8	WASHER, FLAT T18-8 SS TYPE A 1/2"
3	67065200	8	NUT, HEX T304 SS 1/2-13
2	67064400	6	NUT, HEX 18-8 SS 3/8-16
1	67054422	6	HHCS, 18-8 SS 3/8-16 X 1.00"
ITEM	PART NUMBER	QTY	DESCRIPTION

- NOTES:
- DO NOT SCALE FROM DRAWING.
  - ONE PC REQUIRED PER K000-00190: ROLLER MILL ASSY, HYDRAULIC DUAL DRIVE FL 18 X 12"
  - FOR UHMW SCRAPER ASSY, SEE K100-00784 : SCRAPER ASSY, UHMW 18/20 X 12".

This drawing is the property of the A.T. Ferrell Company, Inc and must be returned immediately upon request. No part of this drawing may be reproduced, stored in a retrieval system or transmitted in any form or by any means, without prior written consent of the A.T. Ferrell Company, Inc	E C F				
	NO MANUAL CHANGES				
	VQNGT CP E GU EXCEPT AS NOTED		DIVISION OF A. T. FERRELL COMPANY		
	DECIMAL: xxx ± .005 xx ± .030	FINISH: NONE	SCALE: 1:4	DRAWN BY: ajgager	APPROVED BY: AJG
FRACTIONAL: ± 1/32	TITLE: SCRAPER ASSY, FL 18/20 X 12"				
ANGULAR: ± 1/2-	DATE: 12/13/2006	SIZE: B	PART NUMBER: K100-00783	SHEET: 1 of 1	

K100-00783