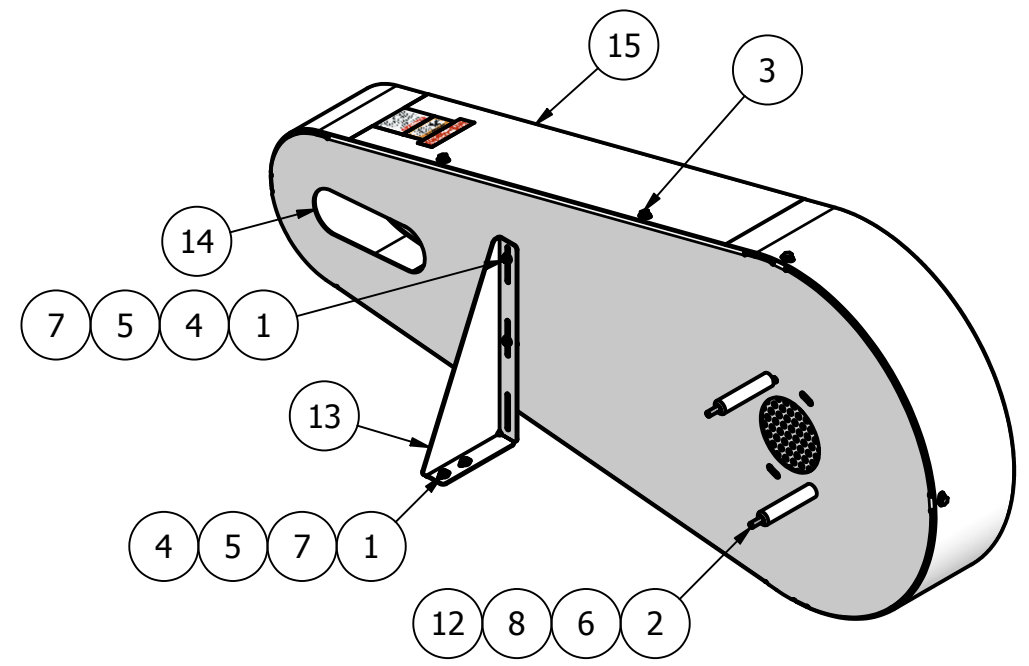
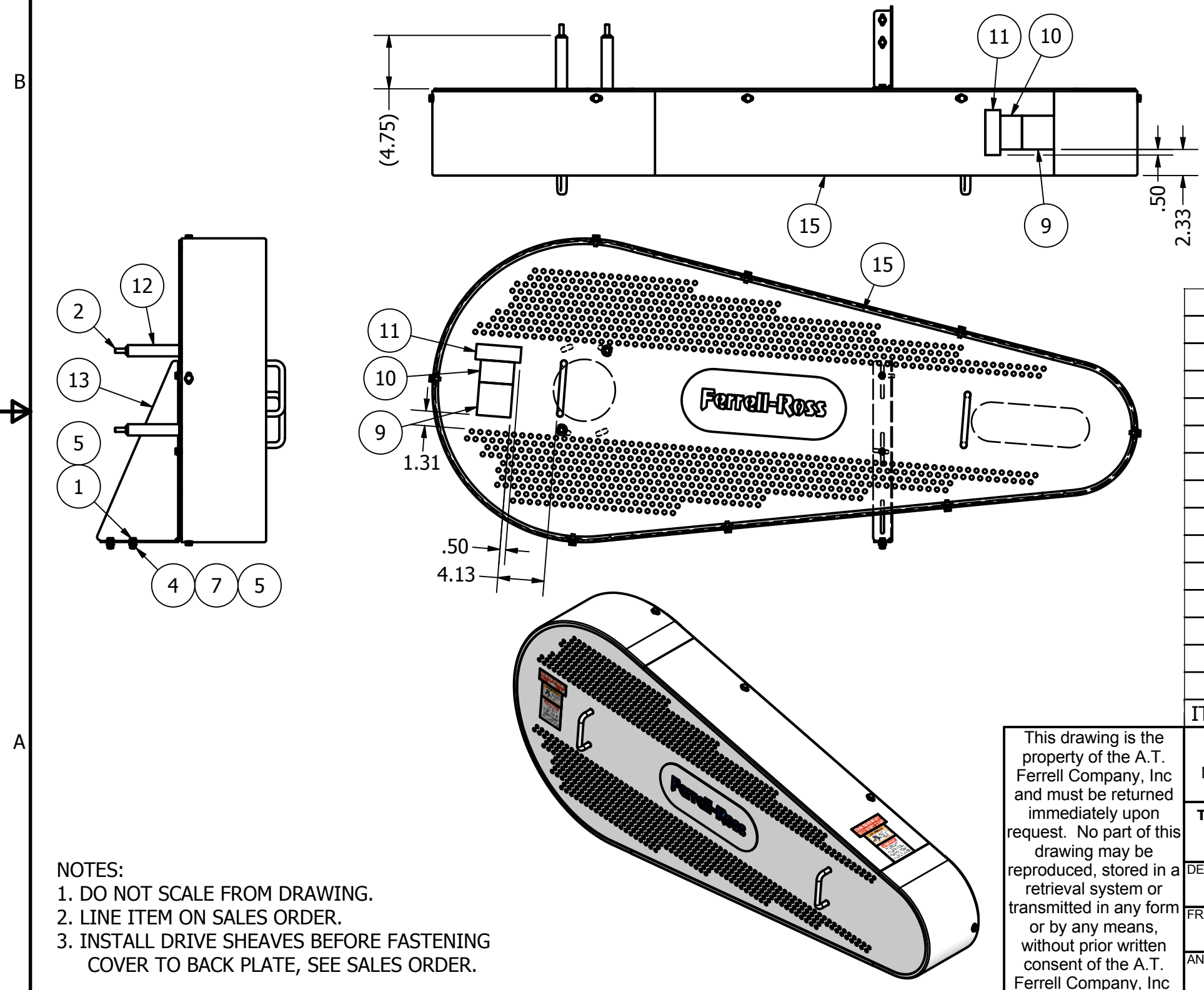


2

1


REVISION HISTORY				
REV	ECN	DESCRIPTION	DATE	APPROVED
A	K010031	RELEASED PRINT, ADDED MOUNT, BRACKET AND FASTENERS	4/9/2001	DJ
B	K080213	REDRAWN IN INVENTOR UPDATED ASSY	12/22/2008	SH
C	K090009	UPDATED ASSY, ADDED LABELS	1/13/2009	SH
D	K090074	62583317 WAS 62583322, 62584460 WAS 62584457, 66403300 WAS 4 PCS, ADD 66404400 & 66444400, DEL 80003658	3/11/2009	dmjohnson



ITEM	PART NUMBER	QTY	DESCRIPTION
15	K200-08038	1	COVER WLDMT, DRV GUARD, SGL RH VF 5C 39.2", 12"
14	K200-08035	1	BACK PLATE, DRIVE GUARD 12" SGL 39.2"
13	K200-06556	1	MOUNT B, GUARD, 18"
12	K200-04343	2	SPACER, GUARD, 4.75" 12"
11	80006506	2	DECAL, WARNING OPEN SWITCH
10	80003643	2	DECAL, WARNING, BELT & CHAIN
9	80003568	2	DECAL, DANGER, KEEP COVER SECURED
8	66444400	2	WASHER, LOCK HELICAL 3/8"
7	66443300	4	WASHER, LOCK HELICAL 1/4"
6	66404400	2	WASHER, FLAT 3/8" NARROW TYPE A
5	66403300	8	WASHER, FLAT 1/4"
4	66083300	4	NUT, HEX 1/4-20
3	62613817	8	SCW, HX WSHR HD CAP 5/16-18 X 3/4"
2	62584460	2	HHCS, 3/8-16 X 6.00"
1	62583317	4	HHCS, 1/4-20 X 3/4"

- NOTES:  
 1. DO NOT SCALE FROM DRAWING.  
 2. LINE ITEM ON SALES ORDER.  
 3. INSTALL DRIVE SHEAVES BEFORE FASTENING COVER TO BACK PLATE, SEE SALES ORDER.

This drawing is the property of the A.T. Ferrell Company, Inc and must be returned immediately upon request. No part of this drawing may be reproduced, stored in a retrieval system or transmitted in any form or by any means, without prior written consent of the A.T. Ferrell Company, Inc

<b>CAD</b> NO MANUAL CHANGES			
<b>TOLERANCES</b> EXCEPT AS NOTED			
DIVISION OF A. T. FERRELL COMPANY		BLUFFTON, INDIANA - USA	
DECIMAL: xxx ± .005 xx ± .030	FINISH: NONE	SCALE: 0.09:1	DRAWN BY: sahamman
APPROVED BY: DMJ		TITLE: GUARD ASSY, DRIVE, SINGLE RH VF 5C 39.2", 12"	
FRACTIONAL: ± 1/32	DATE: 12/22/2008	SIZE: B	PART NUMBER: <b>K100-01707</b>
ANGULAR: ± 1/2'	SHEET: 1 of 1		

2

1

K100-01707