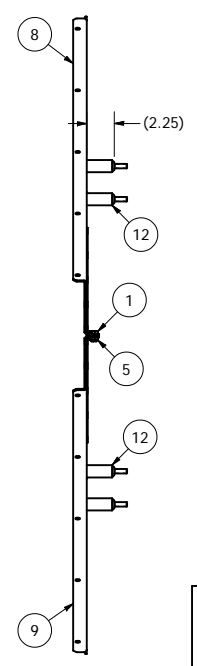
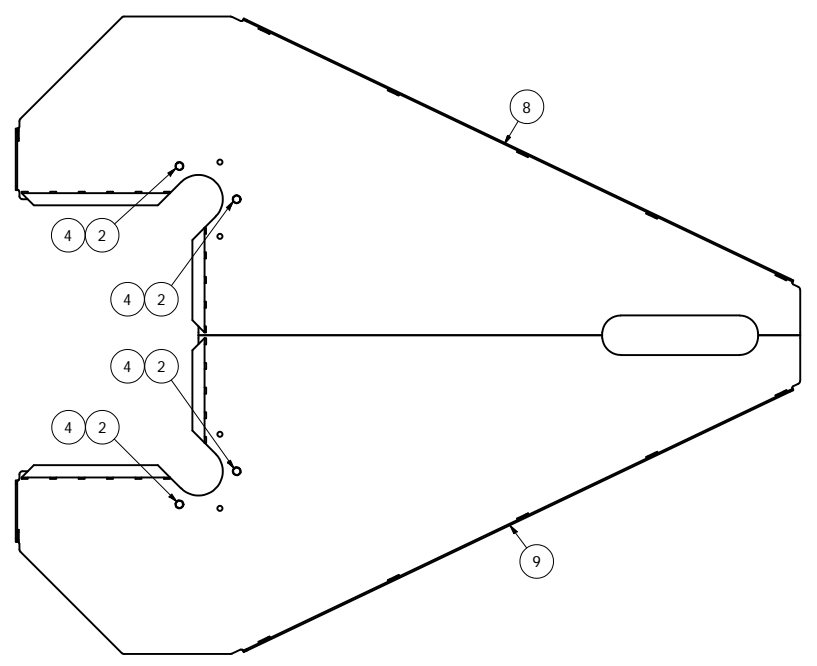
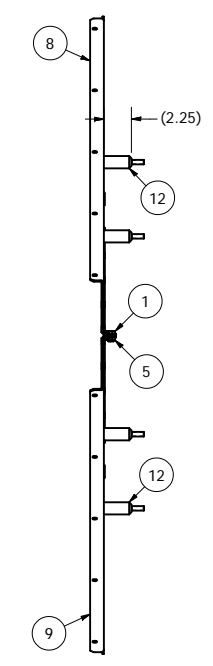
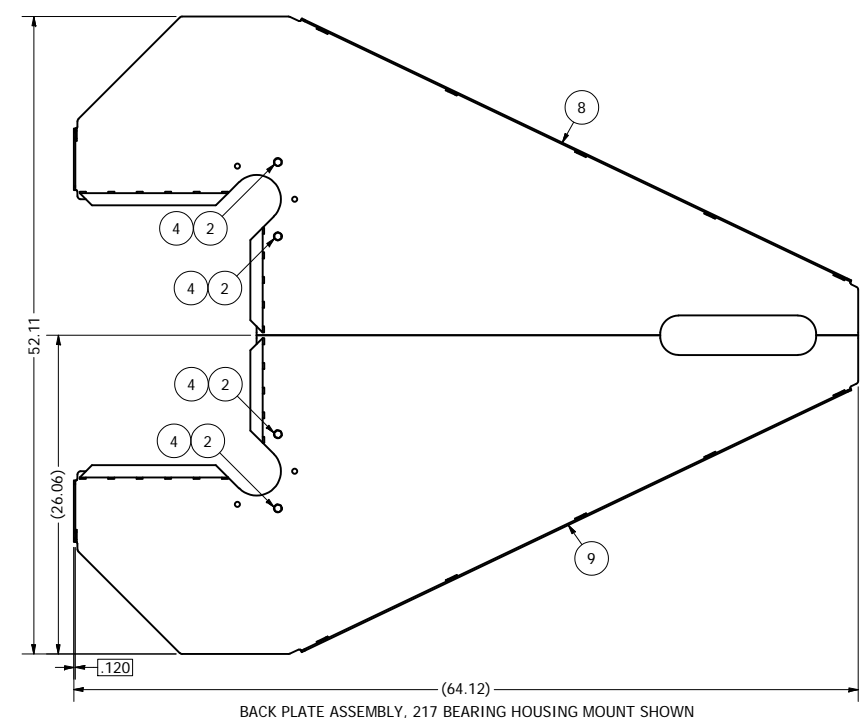
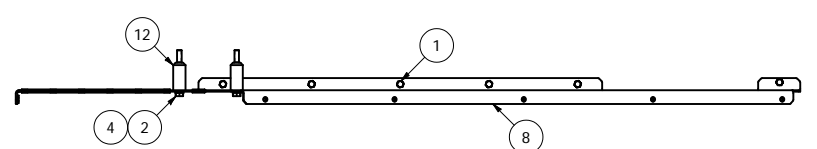
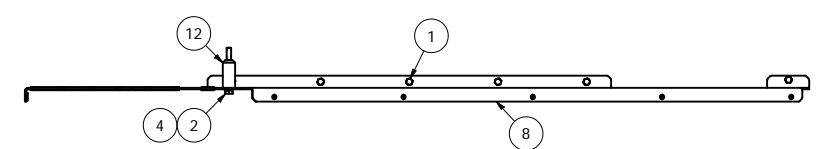
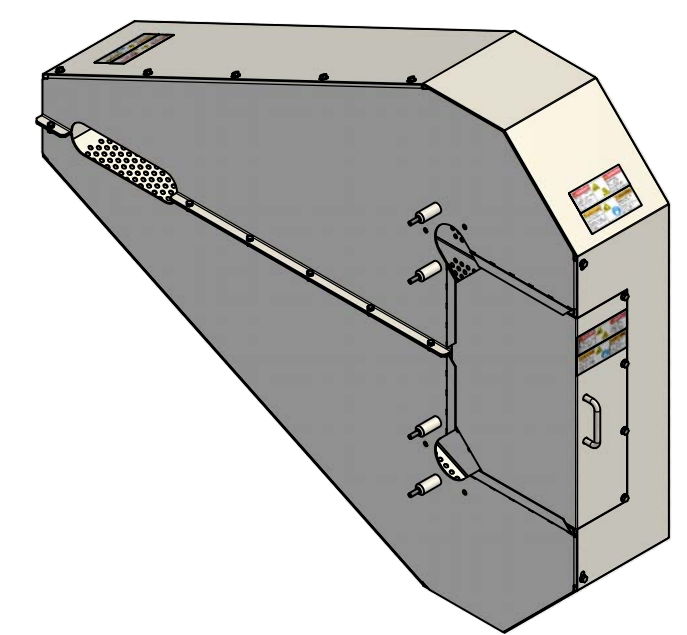
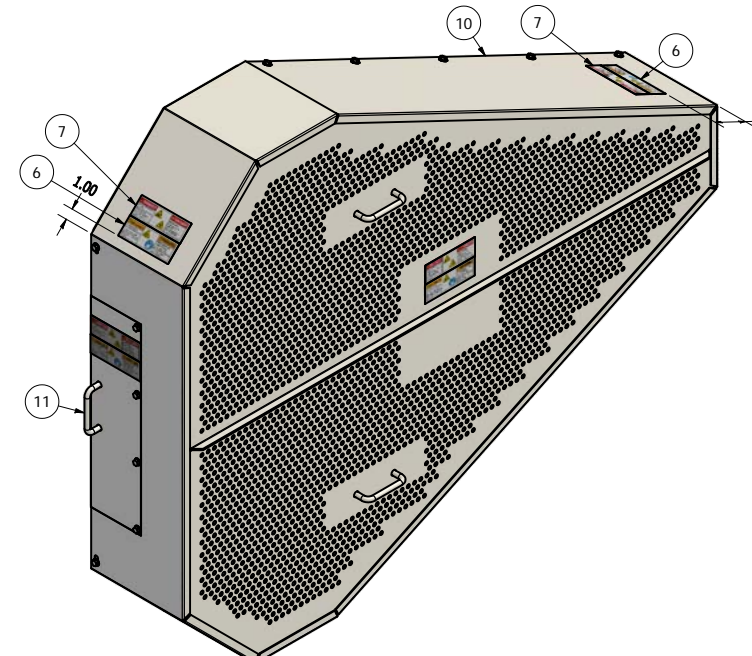
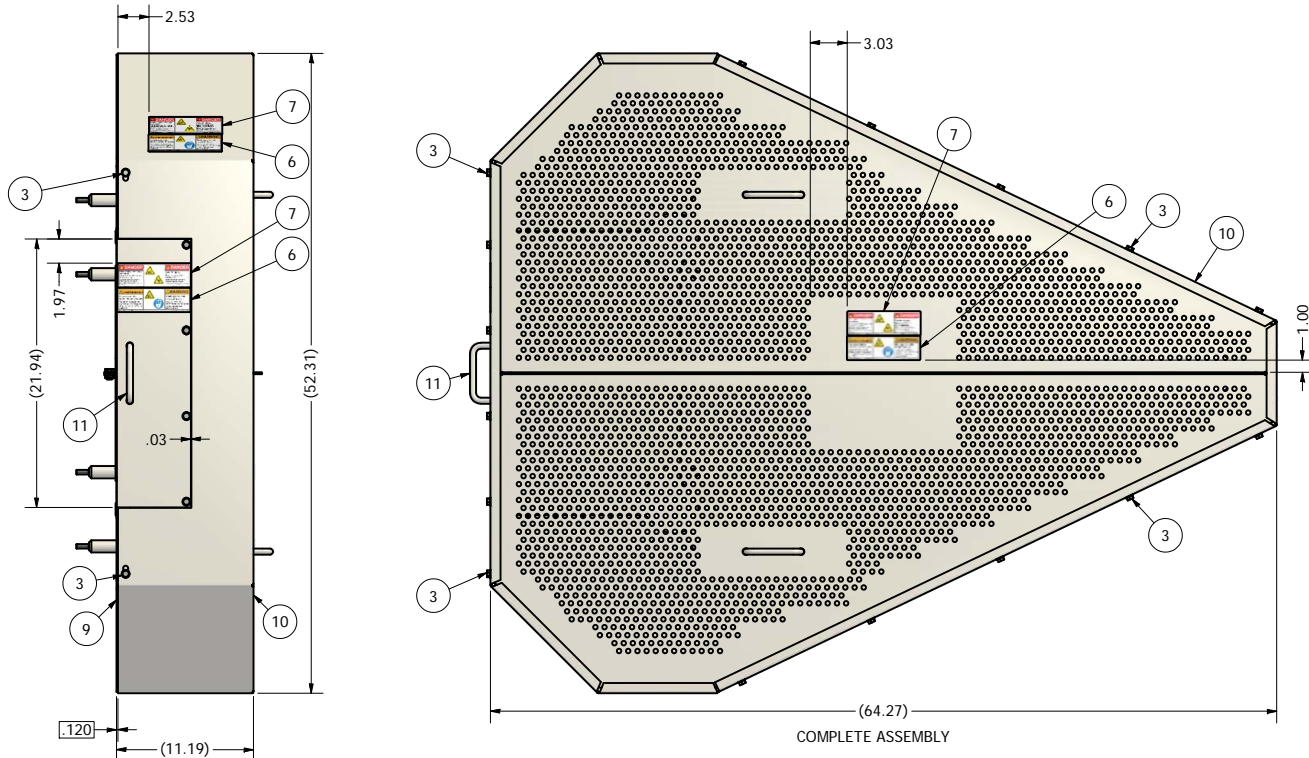


REVISION HISTORY				
REV	ECN	DESCRIPTION	DATE	APPROVED
A	K950198	RELEASE	1/15/1996	dmjohnson
B	K080231	ADD DECALS, 62583312, 62583815, 62613817, 66403300, 66443300, 66783800, K200-02844 & -02889	12/23/2008	dmjohnson
C	K090053	DEL 62583312, 66403300 & 66443300, 62613817 WAS 12X	2/13/2009	dmjohnson
D	K110015	80006509 WAS 80003568	1/17/2011	dmjohnson



BACK PLATE ASSEMBLY, 217 BEARING HOUSING MOUNT SHOWN

BACK PLATE ASSEMBLY, 215 BEARING HOUSING MOUNT SHOWN

NOTES:
1. DO NOT SCALE FROM DRAWING.

ITEM	PART NUMBER	QTY	DESCRIPTION
12	K200-04339	4	SPACER, GUARD, 2.25" 10"
11	K200-02889	1	DOOR WLDMT, DRIVE GUARD, 2 HI, 10"
10	K200-02847	1	COVER WLDMT, DRIVE GUARD, 2 HI RH VF, 10"
9	K200-02844	1	BACK PLATE 2 WLDMT, DRV GUARD, 2 HI VF, 10"
8	K200-02841	1	BACK PLATE 1 WLDMT, DRV GUARD, 2 HI VF, 10"
7	80006509	4	DECAL, DANGER, KEEP HANDS CLEAR
6	80003643	4	DECAL, WARNING, BELT & CHAIN
5	66783800	6	NUT, HEX SERR LOCK 5/16-18
4	66444400	4	WASHER, LOCK HELICAL 3/8"
3	65683817	16	HHCS, SERR WASHER HEAD, 5/16-18 X 3/4"
2	62584446	4	HHCS, 3/8-16 X 3.50"
1	62583815	6	HHCS, 5/16-18 X 5/8"

This drawing is the property of the A.T. Ferrell Company, Inc and must be returned immediately upon request. No part of this drawing may be reproduced, stored in a retrieval system or transmitted in any form or by any means, without prior written consent of the A.T. Ferrell Company, Inc

CAD
NO MANUAL CHANGES
TOLERANCES EXCEPT AS NOTED

FINISH: NONE
SCALE: 0.13:1
DRAWN BY: dmjohnson
APPROVED BY: DMJ

Ferrell-Ross
MATERIALS PROCESSING & RECOVERY
SINCE 1897
BLUFFTON, INDIANA - USA

TITLE: GUARD ASSY, DRIVE, 2 HI RH VF 37.6-43.2, 10"
DATE: 12/21/2008
SIZE: D
PART NUMBER: K100-01758
SHEET: 1 of 1