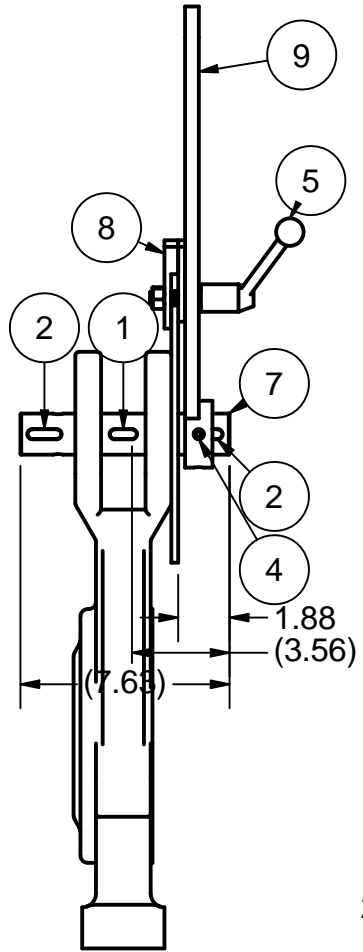
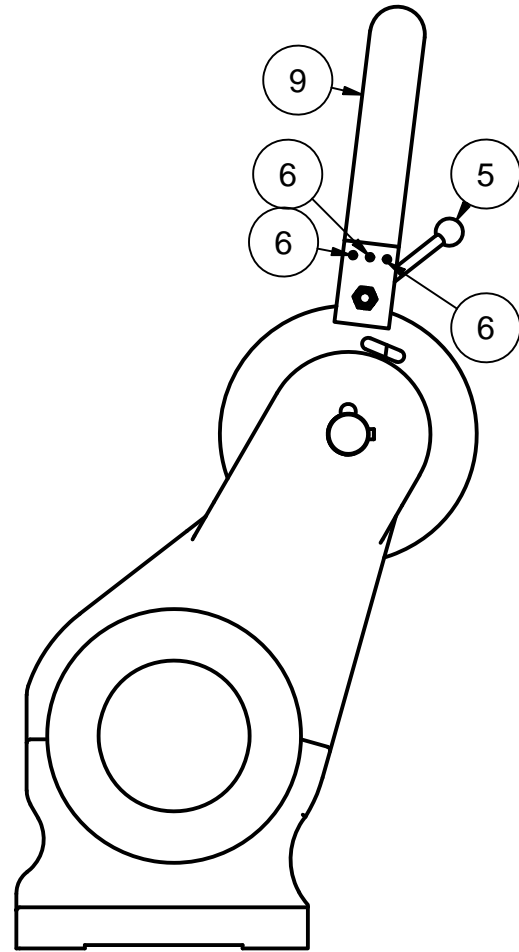
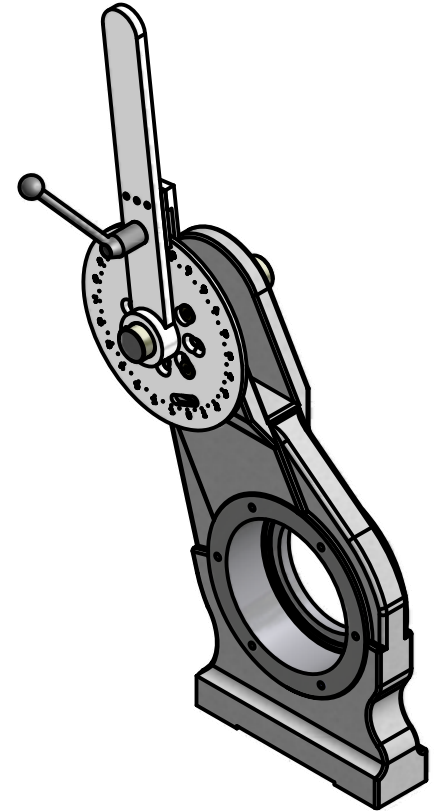
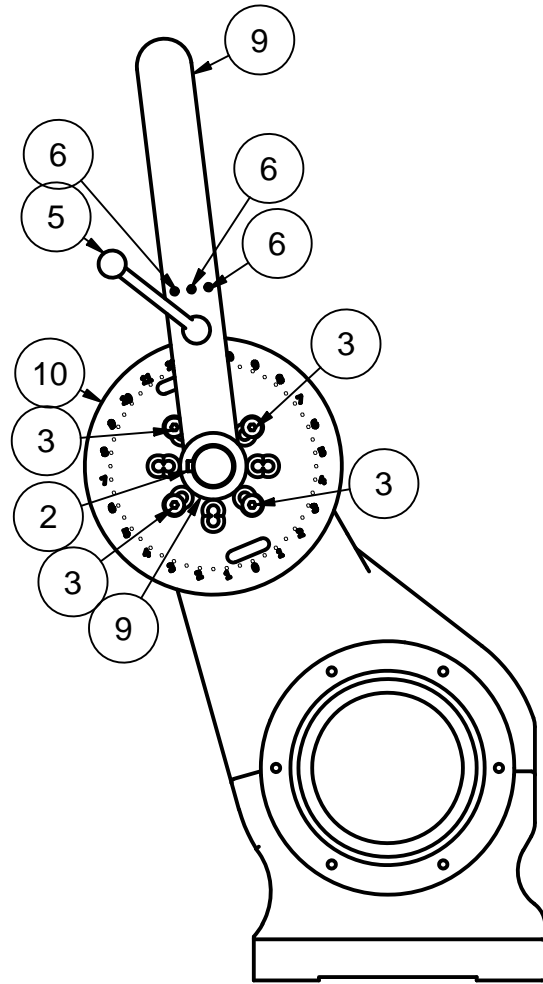


REVISION HISTORY				
REV	LTR	DESCRIPTION	DATE	APPROVED
A	K050030	RELEASE	3/29/2006	DMJOHNSON



2X




K100-01966

ITEM	PART NUMBER	QTY	DESCRIPTION
11	K200-00940	1	HOUSING, BEARING FIXED, 220-1L
10	K200-07142	1	DISK, MICRO ROLL RELEASE 10-12"
9	K200-07138	1	LEVER WLDMT, ROLL CONTROL RH, 12"
8	K200-07134	1	BRAKE, LEVER, ROLL RELEASE 10-12"
7	K200-00105	1	ROD, ROLL RELEASE ECC, LONG HD 12"
6	70008506	3	PIN, SPRING SLOTTED .25 X 1.25"
5	70003006	1	HANDLE, ADJ STL W/KNOB 1/2-13X1.77" STUD
4	61664408	2	SCW, SET 3/8-16 X .375" SCKT HD
3	61304417	4	FSHCS, 3/8-16 X .75"
2	49400820	2	KEY, SQUARE, RND END .375 X 1.25"
1	49400816	1	KEY, SQUARE, RND END .375 X 1.00"

- NOTES:
- DO NOT SCALE FROM DRAWING.
  - ONE PIECE REQUIRED PER K000-01951: ROLLER MILL ASSY, 2HI RF DUAL DRIVE 12 X 52".
  - LINE ITEM ON SALES ORDER FOR 12" MILLS.
  - ONE PIECE REQUIRED PER RH DIFFERENTIAL DRIVE 12" ROLL PAIR.
  - SIMILAR TO K100-01967: LEVER ASSY, ROLL CONTROL LH 12".

This drawing is the property of the A.T. Ferrell Company, Inc and must be returned immediately upon request. No part of this drawing may be reproduced, stored in a retrieval system or transmitted in any form or by any means, without prior written consent of the A.T. Ferrell Company, Inc

E C F				DIVISION OF A. T. FERRELL COMPANY		BLUFFTON, INDIANA - USA	
NO MANUAL CHANGES				FINISH: NONE		SCALE: 1:7	
VQNGT CP E GU EXCEPT AS NOTED		TITLE: LEVER ASSY, ROLL CONTROL RH 12"		DATE: 3/28/2006		SHEET: 1 of 1	
DECIMAL: xxx ± .005 xx ± .030		PART NUMBER: K100-01966		APPROVED BY: DMJ			
FRACTIONAL: ± 1/32							
ANGULAR: ± 1/2~							