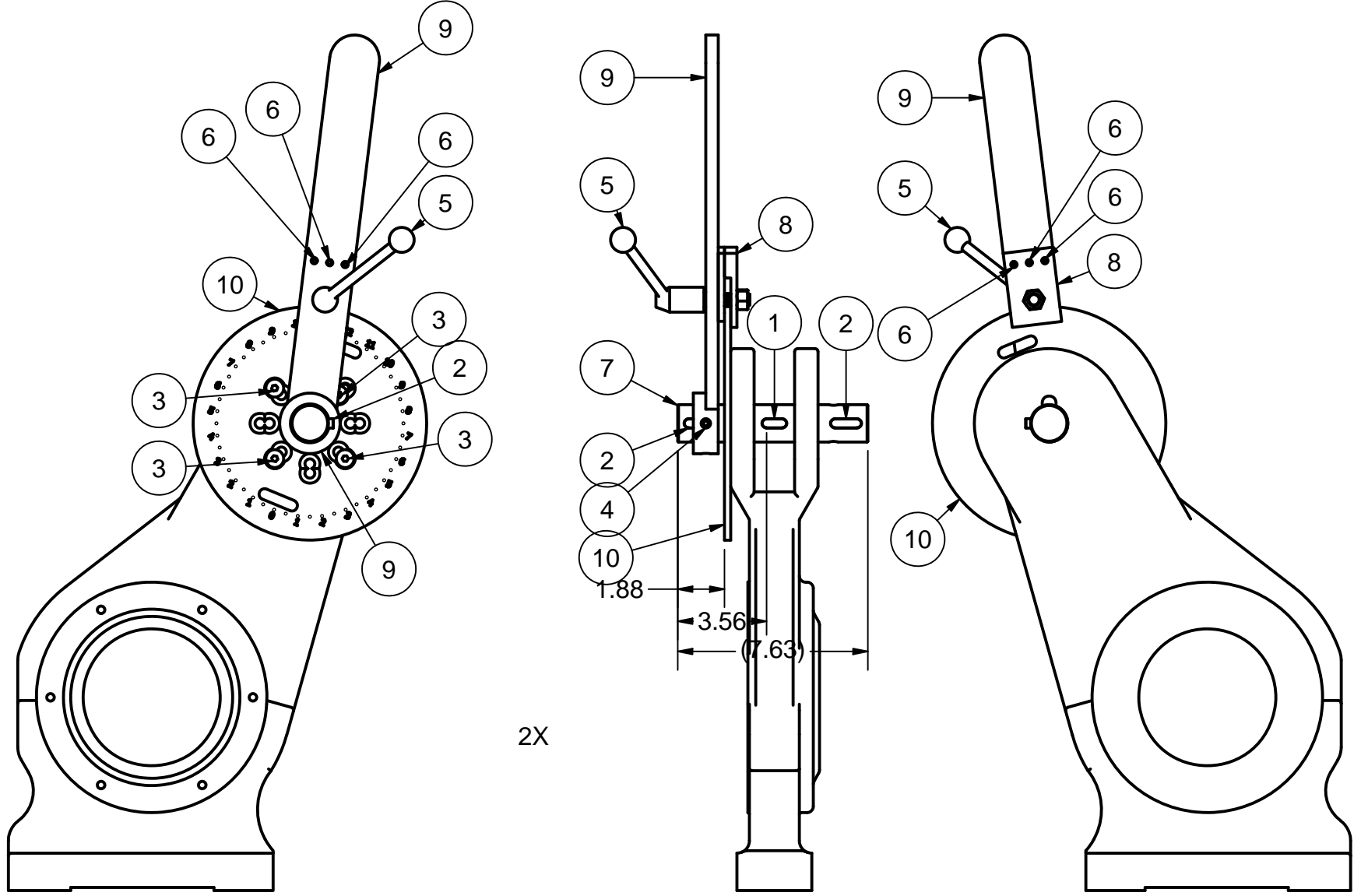



REVISION HISTORY				
REV	LTR	DESCRIPTION	DATE	APPROVED
A	K050030	RELEASE	3/29/2006	DMJOHNSON

K100-01967



ITEM	PART NUMBER	QTY	DESCRIPTION
11	K200-00941	1	HOUSING, BEARING FIXED, 220-1R
10	K200-07142	1	DISK, MICRO ROLL RELEASE 10-12"
9	K200-07139	1	LEVER WLDMT, ROLL CONTROL LH, 12"
8	K200-07134	1	BRAKE, LEVER, ROLL RELEASE 10-12"
7	K200-00105	1	ROD, ROLL RELEASE ECC, LONG HD 12"
6	70008506	3	PIN, SPRING SLOTTED .25 X 1.25"
5	70003006	1	HANDLE, ADJ STL W/KNOB 1/2-13X1.77" STUD
4	61664408	2	SCW, SET 3/8-16 X .375" SCKT HD
3	61304417	4	FSHCS, 3/8-16 X .75"
2	49400820	2	KEY, SQUARE, RND END .375 X 1.25"
1	49400816	1	KEY, SQUARE, RND END .375 X 1.00"

- NOTES:
- DO NOT SCALE FROM DRAWING.
 - LINE ITEM ON SALES ORDER FOR 12" MILLS.
 - ONE PIECE REQUIRED PER LH DIFFERENTIAL DRIVE 12" ROLL PAIR.
 - SIMILAR TO K100-01966: LEVER ASSY, ROLL CONTROL RH 12".

<p>This drawing is the property of the A.T. Ferrell Company, Inc and must be returned immediately upon request. No part of this drawing may be reproduced, stored in a retrieval system or transmitted in any form or by any means, without prior written consent of the A.T. Ferrell Company, Inc</p>	E C F					
	NO MANUAL CHANGES					DIVISION OF A. T. FERRELL COMPANY
	VQNGT CP E GU EXCEPT AS NOTED		FINISH:	SCALE:	DRAWN BY:	APPROVED BY:
	DECIMAL: xxx ± .005 xx ± .030		NONE	1:6	dmjohnson	DMJ
FRACTIONAL: ± 1/32		TITLE: LEVER ASSY, ROLL CONTROL LH 12"				
ANGULAR: ± 1/2~		DATE:	SIZE:	PART NUMBER:	SHEET:	
		3/30/2006	B	K100-01967	1 of 1	

