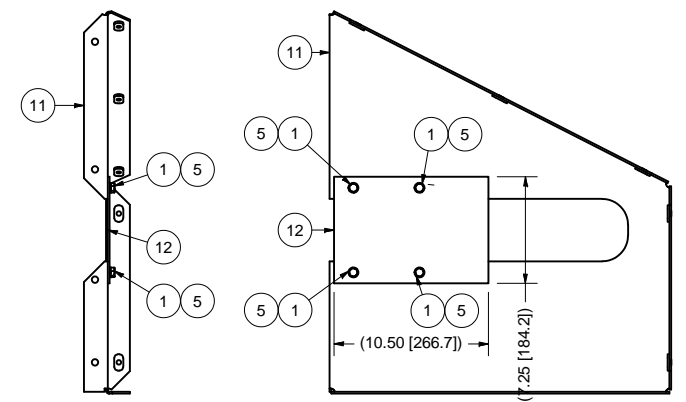
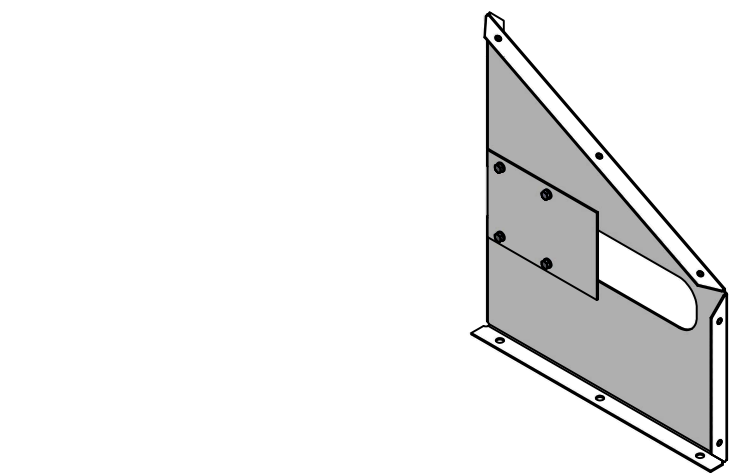
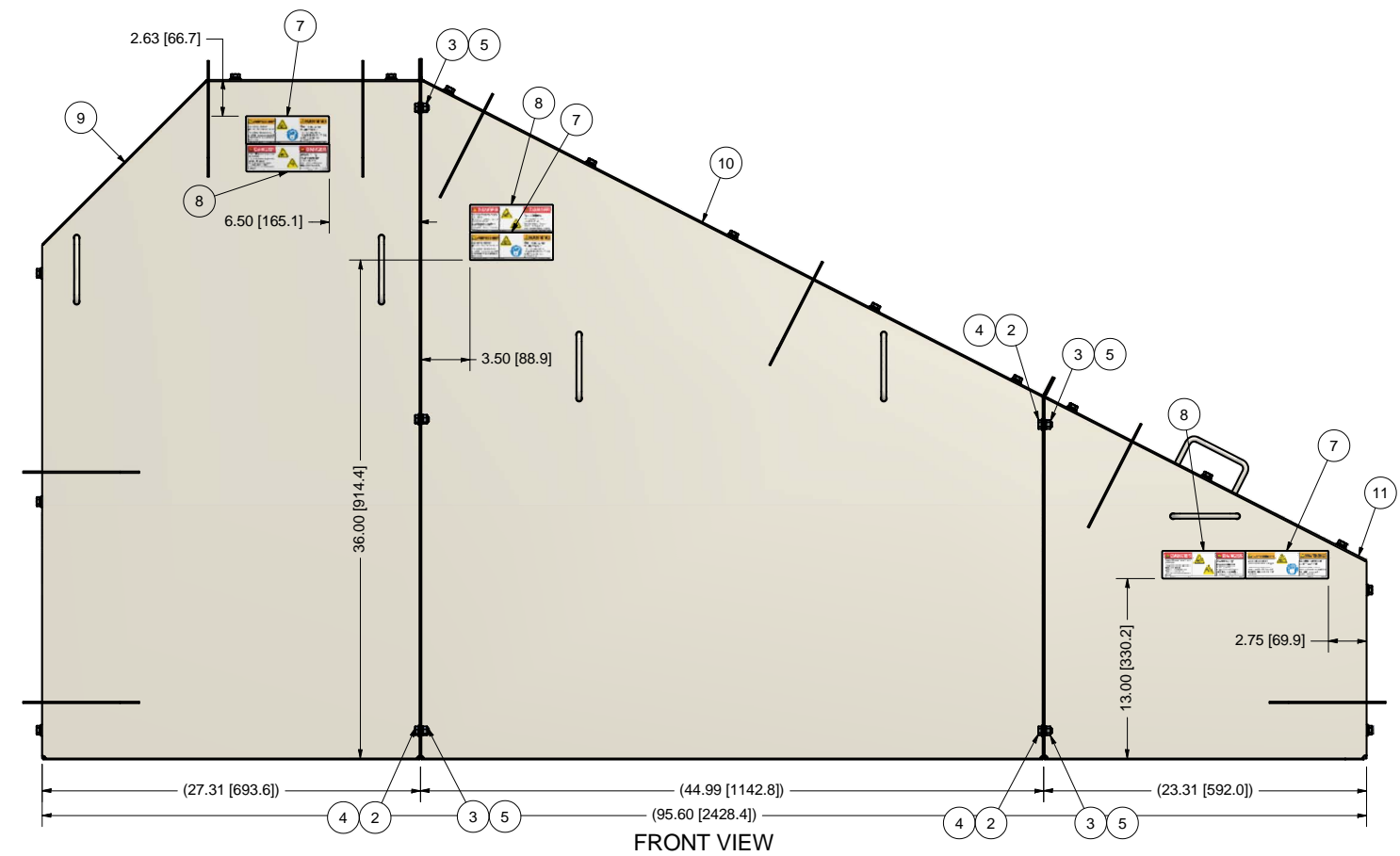
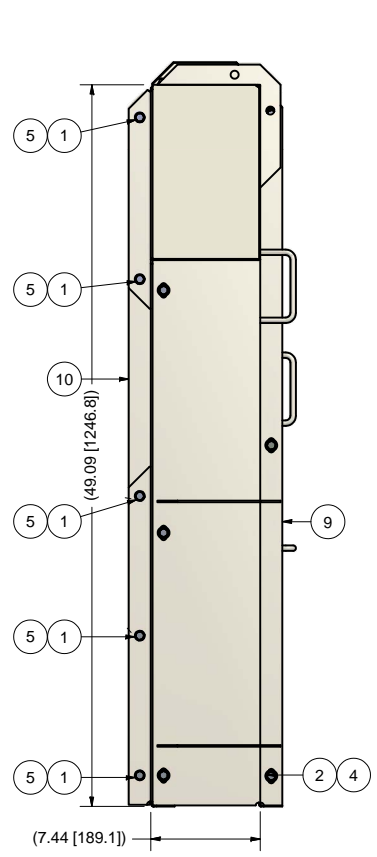
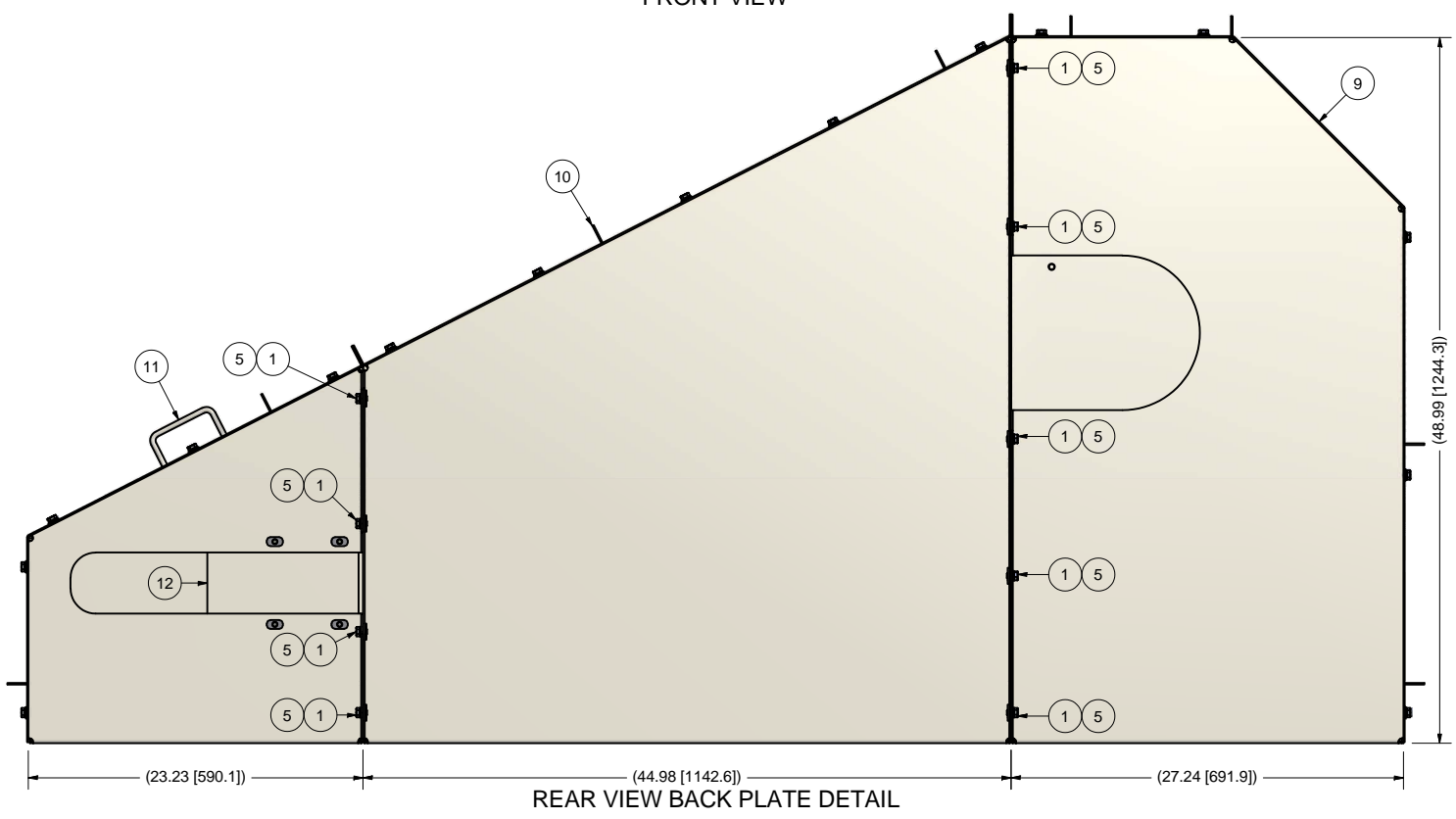
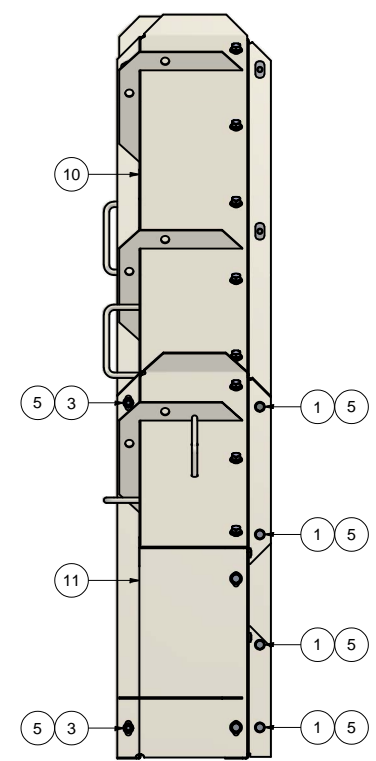


REV	ZONE	LTR	REVISION HISTORY	DATE	APPROVED
A	1	K010075	DESCRIPTION	8/15/2001	DMJOHNSON
B		K050023	RELEASE	7/25/2005	DMJOHNSON
			REDRAWN INVENTOR		



INSERT DETAIL



REAR VIEW BACK PLATE DETAIL

ITEM	PART NUMBER	QTY	DESCRIPTION
12	K200-05968	1	INSERT, BK PLT, GUARD REAR DL DRV 24"
11	K200-05960	1	GUARD WLDT/ASSY, REAR FIXED RH DL DRV 24"
10	K200-05950	1	GUARD WLDMT/ASSY, CTR FIXED RH DL DRV 24"
9	K200-05940	1	GUARD WLDMT/ASSY, FNT FIXED RH DL DRV 24"
8	80006509	3	DECAL, DANGER, KEEP HANDS CLEAR
7	80003643	3	DECAL, WARNING, BELT & CHAIN
5	66444400	19	WASHER, LOCK HELICAL 3/8"
4	66404400	5	WASHER, FLAT 3/8" NARROW TYPE A
3	66084400	6	NUT, HEX 3/8-16
2	62584417	5	HHCS, 3/8-16 X 3/4"
1	62584412	13	HHCS, 3/8-16 X 1/2"

This drawing is the property of the A.T. Ferrell Company, Inc. and must be returned immediately upon request. No part of this drawing may be reproduced, stored in a retrieval system or transmitted in any form or by any means, without prior written consent of the A.T. Ferrell Company, Inc.

E C F
NO MANUAL CHANGES
EXCEPT AS NOTED

Division of A. T. Ferrell Company
Bluffton, Indiana - USA

Ferrell-Ross
MATERIALS PROCESSING & RECOVERY

FINISH: TOUCH-UP PAINT
SCALE: 0.16:1
DRAWN BY: dmjohnson
APPROVED BY: DMJ

TITLE: GUARD ASSY, DRIVE FIXED RH DUAL DRIVE 24"
DATE: 7/25/2005
SIZE: D
PART NUMBER: K100-02420
SHEET: 1 of 1

K100-02420