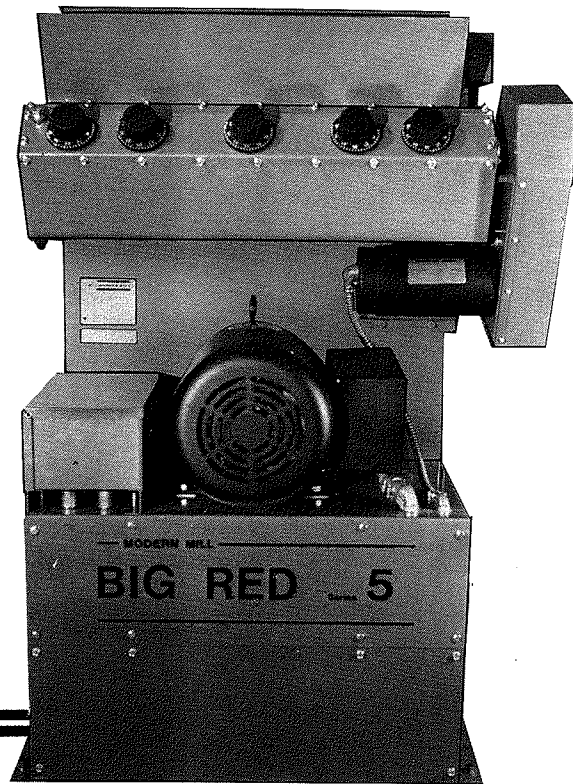
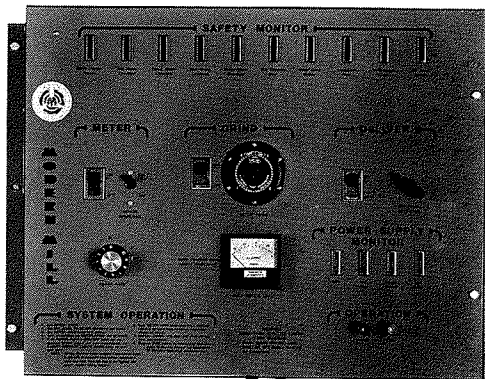


MODERN MILL



SERIES 5 Replacement Parts Catalog

INTRODUCTION

Your Modern Mill dealer or distributor is equipped to provide repair service and replacement parts. Contact him first should a question or service problem arise. In the event your dealer or distributor is unable to provide the service or parts you require, the Modern Mill Field Services Department, Bluffton, Indiana is available for your assistance.

TABLE OF CONTENTS

SECTION I MILL REPLACEMENT PARTS

Mill Control Panel (Front).....	1-1
230 V. Mill Control Panel (Inside).....	1-3
460 V. and 575 V. Mill Control Panel (Inside).....	1-5
Single Phase Heater Strip Selection Chart.....	1-7
Three Phase Heater Strip Selection Chart.....	1-8
Metering Hopper Assembly (Prior to Serial No. 2533).....	1-9
Metering Hopper Assembly (Serial No. 2533 and later).....	1-11
Metering Unit Assembly.....	1-13
Metering Unit Cover.....	1-14
Metering Unit — Internal Parts.....	1-15
Mill Housing and Mill Motor.....	1-17
Mill Back Assembly.....	1-20
Meter Drive (Prior to Serial No. 2533).....	1-21
Meter Drive (Serial No. 2533 and later).....	1-22
Reversing Switch Box.....	1-23
Beater Hub Assembly.....	1-25
Sample Chute.....	1-26
Wire Harness and Junction Box Components.....	1-27

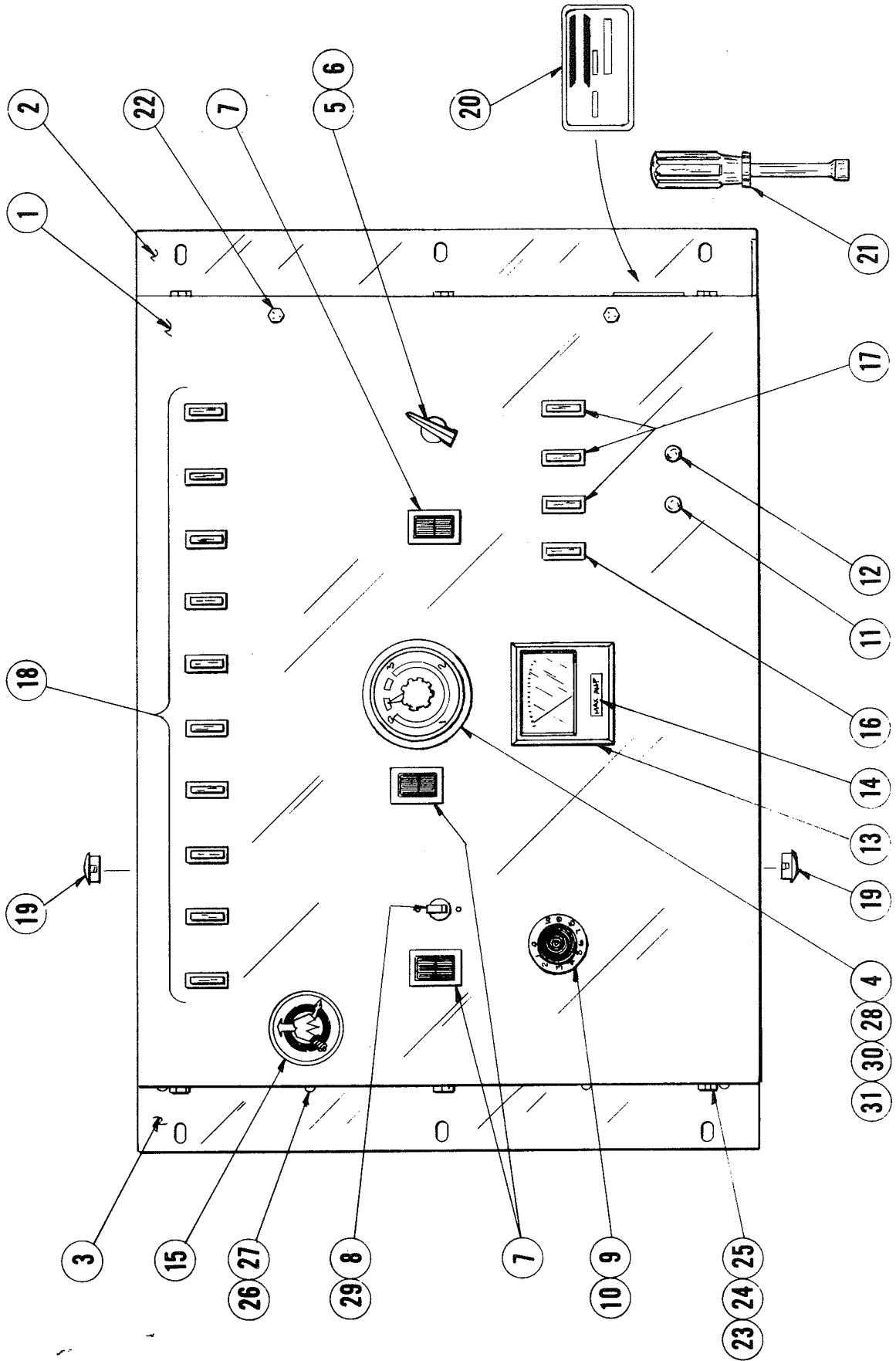
SECTION II CONTROL HOPPER REPLACEMENT PARTS

30A27 Control Hopper.....	2-1
30B27 Control Hopper.....	2-3
30A28 Premixer Control Hopper.....	2-5
Switch Box Sub-Assembly (For 30A28 Control Hopper).....	2-7
Switch Box Sub-Assembly (For 30A29 Control Hopper).....	2-8
30A29 Control Hopper.....	2-9
30A30 and 30A31 Control Hoppers.....	2-11
Control Hopper Support Frames.....	2-13

SECTION III DISCHARGE AUGER REPLACEMENT PARTS

4" Transfer Corner Components	3-1
4" Base Auger and Complete Transfer Corner	3-2
4" G.P. Auger, Tube Splice, & Extension Auger	3-3
0° (Vertical) Outlets for 4" Augers	3-5
45° Outlets for 4" Augers	3-6
60° Outlets for 4" Augers	3-7
90° Outlets for 4" Augers	3-8
2A186 Switch Sub Assembly	3-9
2A187 Switch Sub Assembly	3-10
4" Horizontal Auger Drive Kit Components	3-11
4" Vertical Auger Drive Kit Components	3-13
Safety Shields for 4" Horizontal & Vertical Augers	3-15
Weather Cover for 4" Auger Corner	3-16
6" Transfer Corner Components	3-18
6" Base Auger and Complete Transfer Corner	3-20
6" Extension Auger Assembly	3-21
0° (Vertical) Discharge Heads for 6" Augers	3-22
60° Discharge Heads for 6" Augers	3-24
90° Discharge Heads for 6" Augers	3-26
6" Horizontal Auger Drive Kit Components	3-28
6" Vertical Auger Drive Kit Components	3-30
Safety Shield for 6" Horizontal Auger	3-32
Weather Cover for 6" Auger Corner	3-33

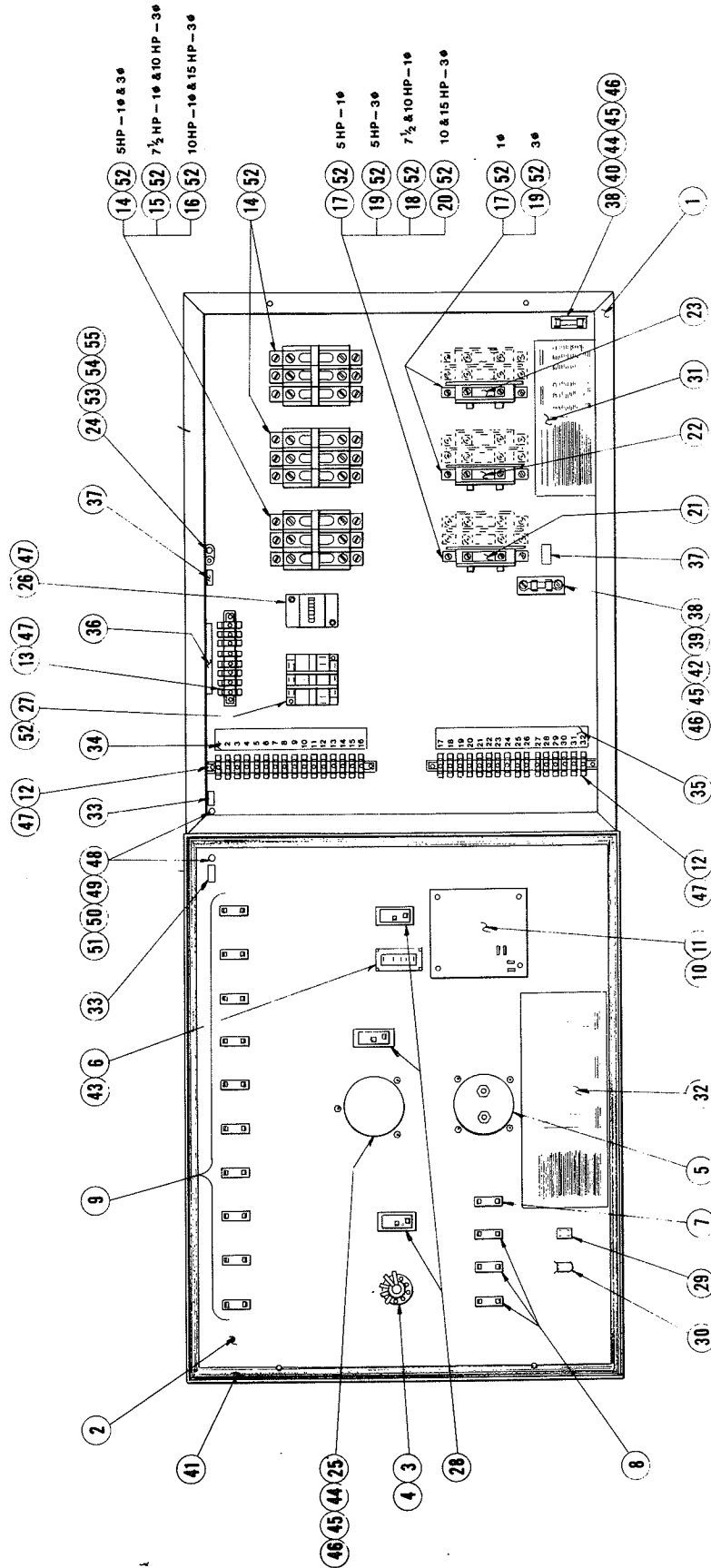
MILL CONTROL PANEL (FRONT)



MILL CONTROL PANEL (FRONT)

ITEM	PART NO.	DESCRIPTION	QUANTITY													
			5 HP-1Ø 230V.	7 ½ hp-1Ø 230V.	10 HP-3Ø 208-230V.	5 HP-3Ø 208-230V.	10 HP-3Ø 208-230V.	15 HP-3Ø 208-230V.	5 HP-3Ø 480V.	10 HP-3Ø 480V.	15 HP-3Ø 480V.	5 HP-3Ø 575V.	10 HP-3Ø 575V.	15 HP-3Ø 575V.		
1	2A784	Panel Front w/Hinge	1	1	1	1	1	1	1	1	1	1	1	1	1	1
2	2A782	Mtg. Angle Assy., R.H.	1	1	1	1	1	1	1	1	1	1	1	1	1	1
3	1A919G2	Mtg. Angle, L.H.	1	1	1	1	1	1	1	1	1	1	1	1	1	1
4	4A187	Timer — Electric	1	1	1	1	1	1	1	1	1	1	1	1	1	1
5	4A137	Rotary Switch	1	1	1	1	1	1	1	1	1	1	1	1	1	1
6	4A142	Knob — Rotary Switch	1	1	1	1	1	1	1	1	1	1	1	1	1	1
7	4A192	Rocker Switch, SPSST	3	3	3	3	3	3	3	3	3	3	3	3	3	3
8	4A172	Circuit Breaker — 3.2 Amp.	1	1	1	1	1	1	1	1	1	1	1	1	1	1
9	4A237	D.C. Motor Controller	1	1	1	1	1	1	1	1	1	1	1	1	1	1
10	4A177	Knob — Motor Controller	1	1	1	1	1	1	1	1	1	1	1	1	1	1
11	4A235	Push Button Switch — Start w/Green Cap	1	1	1	1	1	1	1	1	1	1	1	1	1	1
12	4A236	Push Button Switch — Stop w/Red Cap	1	1	1	1	1	1	1	1	1	1	1	1	1	1
13	4A171	Ammeter (0-75 Amp.)	1	1	1	1	1	1	1	1	1	1	1	1	1	1
	4A250	Ammeter (0-30 Amp.)			1											
14	9A205G1	Decal — Max. 21 Amp.	1													
	9A205G2	Decal — Max. 33 Amp.		1												
	9A205G3	Decal — Max. 40 Amp.			1											
	9A205G4	Decal — Max. 12 Amp.				1										
	9A205G5	Decal — Max. 24 Amp.					1									
	9A205G6	Decal — Max. 34 Amp.						1								
	9A205G7	Decal — Max. 6 Amp.							1							
	9A205G9	Decal — Max. 17 Amp.								1						
	9A205G10	Decal — Max. 4.8 Amp.											1			
	9A205G11	Decal — Max. 9.6 Amp.													1	
	9A205G12	Decal — Max. 13.6 Amp.														1
15	9A216	Decal — Modern Mill Logo	1	1	1	1	1	1	1	1	1	1	1	1	1	1
16	4A173	Light — Amber 115V.	1	1	1	1	1	1	1	1	1	1	1	1	1	1
17	4A174	Light — Amber 230V.	3	3	3	3	3	3	3	3	3	3	3	3	3	3
	4A175	Light — Amber 115V.														
18	4A175	Light — Green 115V.	10	10	10	10	10	10	10	10	10	10	10	10	10	10
19	4A189G2	Hole Plug (½" Conduit)	AR	AR	AR	AR	AR	AR	AR	AR	AR	AR	AR	AR	AR	AR
20	4A169G3	Hole Plug (¾" Conduit)	AR	AR	AR	AR	AR	AR	AR	AR	AR	AR	AR	AR	AR	AR
21	9A237	Decal — Identification	1	1	1	1	1	1	1	1	1	1	1	1	1	1
22	9A208	Wrench — Spinttle	1	1	1	1	1	1	1	1	1	1	1	1	1	1
23		1/4" - 20 x 1/2" Hex Hd. Cap Screw	2	2	2	2	2	2	2	2	2	2	2	2	2	2
24		5/16" - 18 x 3/4" Hex Hd. Cap Screw	6	6	6	6	6	6	6	6	6	6	6	6	6	6
25		5/16" - 18 Hex Nut	6	6	6	6	6	6	6	6	6	6	6	6	6	6
26		5/16" Lock Washer	6	6	6	6	6	6	6	6	6	6	6	6	6	6
27		#10-32 x 1/2" S.T. Mach. Screw	5	5	5	5	5	5	5	5	5	5	5	5	5	5
28		#10 Lock Washer	5	5	5	5	5	5	5	5	5	5	5	5	5	5
29		#6-32 x 3/8" Rd. Hd. Mach. Screw	3	3	3	3	3	3	3	3	3	3	3	3	3	3
30		#6-32 x 3/16" Rd. Hd. Mach. Screw	2	2	2	2	2	2	2	2	2	2	2	2	2	2
31		#6-32 Hex Nut	3	3	3	3	3	3	3	3	3	3	3	3	3	3
		#6 Lock Washer	3	3	3	3	3	3	3	3	3	3	3	3	3	3

230V. MILL CONTROL PANEL (INSIDE)



	5HP-1Ø	7 ½ HP-1Ø	10HP-1Ø	5HP-3Ø	10HP-3Ø	15HP-3Ø
Mill Motor Wire Harness	10A74G1	10A74G1	10A74G2	10A74G3	10A74G3	10A74G3
Control Circuit Wire Harness	10A75	10A75	10A75	10A75	10A75	10A75

230V. MILL CONTROL PANEL (INSIDE)

ITEM	PART NO.	DESCRIPTION	QUANTITY				
			5 HP-1Ø 230V.	7 1/2 HP-1Ø 230V.	10 HP-1Ø 230V.	5 HP-1Ø 230V.	10 HP-3Ø 208-230V.
1	10A71G1	Control Panel Assy. — Complete	REF				
2	10A71G2	Control Panel Assy. — Complete		REF			
3	10A71G3	Control Panel Assy. — Complete			REF		
4	10A72G1	Control Panel Assy. — Complete				REF	
5	10A72G2	Control Panel Assy. — Complete					REF
6	10A72G3	Control Panel Assy. — Complete					REF
7	2A781	Panel Housing Assy.	1	1	1	1	1
8	2A785	Panel Front — W/Hinge	1	1	1	1	1
9	4A137	Rotary Switch	1	1	1	1	1
10	4A142	Knob — Rotary Switch	1	1	1	1	1
11	4A250	Ammeter (0-30 Amp.)					1
12	4A171	Ammeter (0-75 Amp.)	1	1	1	1	1
13	4A172	Circuit Breaker (3.2 Amp)	1	1	1	1	1
14	4A173	Light — Amber 115V	1	1	1	1	1
15	4A174	Light — Amber 230V.	3	3	3	3	3
16	4A175	Light — Green 115V.	10	10	10	10	10
17	4A237	D.C. Motor Controller	1	1	1	1	1
18	4A177	Knob — Motor Controller	1	1	1	1	1
19	4A178	Terminal Block — 16 Terminal	2	2	2	2	2
20	4A179	Terminal Block — 8 Terminal	1	1	1	1	1
21	4A181	Contact — 30 Amp. (3 pole)	3	2	2	3	3
22	4A182	Contact — 40 Amp. (3 pole)					1
23	4A183	Contact — 50 Amp. (3 pole)					1
24	4A157	Overload Block — 25 Amp. (single pole)	3	2	2		
25	4A159	Overload Block — 60 Amp. (single pole)					
26	4A76	Overload Tri-Block — 30 Amp. (3 pole)				3	2
27	4A128	Overload Tri-Block — 60 amp. (3 pole)					1
28	4A77G17	Heater K61	1				
29	4A77G11	Heater K68		1			
30	4A77G18	Heater K70			1		
31	4A77G19	Heater K53				3	
32	4A77G1	Heater K64					3
33		Horiz. Auger Motor Heater Strips - see Index for Size Selection Charts	1	1	1	3	3

ITEM	PART NO.	DESCRIPTION	QUANTITY				
			5 HP-1Ø 230V.	7 1/2 HP-1Ø 230V.	10 HP-1Ø 230V.	5 HP-3Ø 208-230V.	10 HP-3Ø 208-230V.
23		Vert. Auger Motor Heater Strips — see Index for Size Selection Charts	1	1	1	3	3
24	4A184	Ground Lug	1	1	1	1	1
25	4A187	Timer — Electric	1	1	1	1	1
26	4A188	Elapsed Hour Meter	1	1	1	1	1
27	4A189	Control Relay (12 Amp. - 125 V.)	1	1	1	1	1
28	4A192	Rocker Switch — SPST	3	3	3	3	3
29	4A235	Push Button Switch — Start w/Green Cap	1	1	1	1	1
30	4A236	Push Button Switch — Stop w/Red Cap	1	1	1	1	1
31	9A229	Decal — Heater Table	1	1	1		
32	9A230	Decal — Heater Table				1	1
33	9A228	Decal — Power Hookup	1	1	1	1	1
34	9A69	Decal — Ground	3	3	3	3	3
35	9A200	Decal — Terminal Block (1-16)	1	1	1	1	1
36	9A201	Decal — Terminal Block (17-32)	1	1	1	1	1
37	9A204	Decal — Interconnection Block	1	1	1	1	1
38	9A227	Decal — Fuse	1	1	1	1	1
39	4A253	1/4 Amp Dual Element Fuse	2	2	2	2	2
40	4A245	Fuse Block	1	1	1	1	1
41	4A246	Spare Fuse Holder	1	1	1	1	1
42	9A53	Sealing Tape	92"	92"	92"	92"	92"
43		#6-32 x 1/2" Flat Hd. Mach. Screw	2	2	2	2	2
44		#6-32 x 3/16" Rd. Hd. Mach. Screw	2	2	2	2	2
45		#6-32 x 3/8" Rd. Hd. Mach. Screw	4	4	4	4	4
46		#6-32 Hex Nut	8	8	8	8	8
47		#6 Lock Washer	8	8	8	8	8
48		#8-32 x 1/2" S.T. Mach. Screw	8	8	8	8	8
49		#8-32 x 3/4" Rd. Hd. Mach. Screw	2	2	2	2	2
50		#8-32 Hex Nut	4	4	4	4	4
51		#8 Flat Washer	4	4	4	4	4
52		#8 Lock Washer	4	4	4	4	4
53		#10-32 1/2" S.T. Mach. Screw	23	23	23	23	23
54		1/4-20 x 1/2" Hex Hd. Cap Screw	1	1	1	1	1
55		1/4-20 Hex Nut	1	1	1	1	1
56		1/4" Lock Washer	1	1	1	1	1

460V. AND 575V. MILL CONTROL PANEL (INSIDE)

ITEM	PART NO.	DESCRIPTION	QUANTITY							
			5 HP-3Ø 460V.	10 HP-3Ø 460V.	15 HP-3Ø 460V.	5 HP-3Ø 575V.	10 HP-3Ø 575V.	15 HP-3Ø 575V.		
1	10A103G1	Control Panel Assy. — Complete	REF							
2	10A103G2	Control Panel Assy. — Complete		REF						
3	10A103G3	Control Panel Assy. — Complete			REF					
4	10A104G1	Control Panel Assy. — Complete				REF				
5	10A104G2	Control Panel Assy. — Complete					REF			
6	10A104G3	Control Panel Assy. — Complete						REF		
7	2A781	Panel Housing — Assy.	1	1	1	1	1	1	1	1
8	2A785	Panel Front — w/Hinge	1	1	1	1	1	1	1	1
9	4A137	Rotary Switch — Bin Level Selector	1	1	1	1	1	1	1	1
10	4A142	Knob — Rotary Switch	1	1	1	1	1	1	1	1
11	4A250	Ammeter (0-30 Amp)	1	1	1	1	1	1	1	1
12	4A172	Circuit Breaker (3.2 Amp.)	1	1	1	1	1	1	1	1
13	4A173	Light — Amber 115V.	4	4	4	4	4	4	4	4
14	4A175	Light — Green 115V.	10	10	10	10	10	10	10	10
15	4A237	D.C. Motor Controller	1	1	1	1	1	1	1	1
16	4A177	Knob	1	1	1	1	1	1	1	1
17	4A178	Terminal Block — 16 Terminal	2	2	2	2	2	2	2	2
18	4A179	Terminal Block — 8 Terminal	1	1	1	1	1	1	1	1
19	4A181	Contact — 30 Amp. — 3 Pole	3	3	3	3	3	3	3	3
20	4A176	Overload Tri-Block	3	3	3	3	3	3	3	3
21	4A243G13	Heater E49	3							
22	4A243G17	Heater E56	3							
23	4A243G19	Heater E61		3						
24	4A243G11	Heater E46			3					
25	4A243G15	Heater E54				3				
26	4A243G18	Heater E57					3			
27		Horiz. Auger Motor Heater Strips - See Index for Size Selection Charts	3	3	3	3	3	3	3	3
28		Vert. Auger Motor Heater Strips - see Index for Size Selection Charts	3	3	3	3	3	3	3	3
29	4A240	Transformer (460V. to 120V.)	3	3	3					
30	4A241	Transformer (575V. to 120V.)				3	3	3		
31	4A184	Ground Lug	1	1	1	1	1	1	1	1
32	4A187	Timer — Electric	1	1	1	1	1	1	1	1

ITEM	PART NO.	DESCRIPTION	QUANTITY					
			5 HP-3Ø 460V.	10 HP-3Ø 460V.	15 HP-3Ø 460V.	5 HP-3Ø 575V.	15 HP-3Ø 575V.	
21	4A188	Elapsed Hour Meter	1	1	1	1	1	1
22	4A189	Control Relay (12 Amp. — 125V)	1	1	1	1	1	
23	4A192	Rocker Switch (SPST)	3	3	3	3	3	
24	4A235	Push Button Switch — Start w/Green Cap	1	1	1	1	1	
25	4A236	Push Button Switch — Stop w/Red Cap	1	1	1	1	1	
26	9A231	Decal — Heater Table	1	1	1	1	1	
27	9A228	Decal — Power Hookup	1	1	1	1	1	
28	9A69	Decal — Ground	3	3	3	3	3	
29	9A200	Decal — Terminal Block (1-16)	1	1	1	1	1	
30	9A201	Decal — Terminal Block (17-32)	1	1	1	1	1	
31	9A204	Decal — Interconnection Block	1	1	1	1	1	
32	9A227	Decal — Fuse	1	1	1	1	1	
33	4A253	1/4 Amp. Dual Element Fuse	5	5	5	5	5	
34	4A245	Fuse Block	1	1	1	1	1	
35	4A251	Fuse Block	3	3	3	3	3	
36	4A246	Spare Fuse Holder	1	1	1	1	1	
37	9A53	Sealing Tape	92"	92"	92"	92"	92"	
38		#6-32 x 1/2" Flat Hd. Mach. Screw	2	2	2	2	2	
39		#6-32 x 3/16" Rd. Hd. Mach. Screw	2	2	2	2	2	
40		#6-32 x 3/8" Rd. Hd. Mach. Screw	4	4	4	4	4	
41		#6-32 Hex Nut	8	8	8	8	8	
42		#6 Lock Washer	8	8	8	8	8	
43		#8-32 x 1/2" S.T. Mach. Screw	8	8	8	8	8	
44		#8-32 x 3/4" Rd. Hd. Mach. Screw	2	2	2	2	2	
45		#8-32 Hex Nut	4	4	4	4	4	
46		#8 Flat Washer	4	4	4	4	4	
47		#8 Lock Washer	4	4	4	4	4	
48		#10-32 x 1/2" S.T. Mach. Screw	29	29	29	29	29	
49		1/4-20 x 1/2" Hex Hd. Cap Screw	1	1	1	1	1	
50		1/4-20 Hex Nut	1	1	1	1	1	
51		1/4" Lock Washer	1	1	1	1	1	

SINGLE PHASE HEATER STRIP SELECTION CHART
For 230V. Horizontal and Vertical Auger Motor Overload Protectors

PART #	FULL LOAD MOTOR AMPS. MIN.	FULL LOAD MOTOR AMPS. MAX.	HEATER CODE NO.	PART #	FULL LOAD MOTOR AMPS. MIN.	FULL LOAD MOTOR AMPS. MAX.	HEATER CODE NO.
*	1.85	2.05	K21	4A77G29	7.74	8.47	K42
*	2.06	2.35	K22	4A77G9	8.48	9.51	K43
4A77G31	2.36	2.63	K24	*	9.52	10.4	K49
4A77G3	2.84	2.95	K27	4A77G15	10.5	11.1	K50
4A77G21	2.96	3.31	K28	4A77G2	11.2	12.4	K52
4A77G30	3.32	3.51	K29	4A77G19	12.5	13.5	K53
4A77G6	3.52	3.87	K31	*	13.6	14.5	K54
4A77G28	3.88	4.31	K32	*	14.6	15.9	K55
*	4.32	4.79	K33	*	16.0	17.1	K57
*	4.80	5.21	K34	4A77G47	17.2	18.5	K58
4A77G22	5.22	5.75	K36	*	18.6	19.9	K60
*	5.76	6.11	K37	4A77G17	20.0	21.1	K61
4A77G8	6.12	6.95	K39	4A77G16	21.2	23.4	K62
4A77G23	6.96	7.73	K41	*	23.5	25	K63

*Obtain locally - not available from Modern Mill

THREE PHASE HEATER STRIP SELECTION CHARTS

**For 230V. Horizontal and Vertical Auger
Motor Overload Protectors**

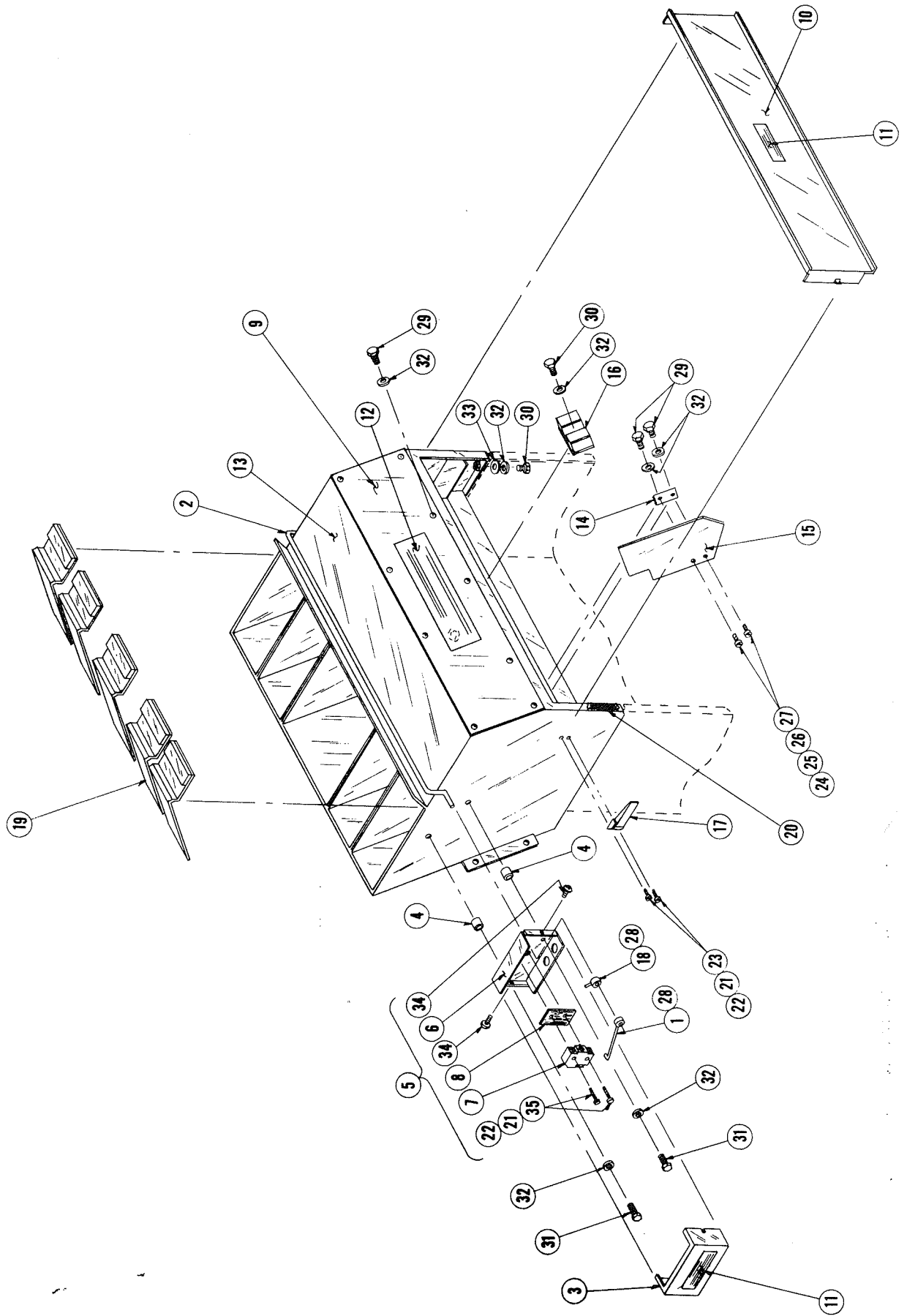
PART #	MIN.	MAX.	HEATER CODE NO.	PART #	FULL LOAD MOTOR AMPS. MIN.	FULL LOAD MOTOR AMPS. MAX.	HEATER CODE NO.
*	1.52	1.65	K21	4A77G9	6.84	7.83	K43
*	1.66	1.79	K22	*	7.84	8.23	K49
*	1.80	1.94	K23	4A77G15	8.24	9.59	K50
4A77G31	1.95	2.15	K24	4A77G2	9.60	9.90	K52
*	2.16	2.37	K26	4A77G19	10.00	10.7	K53
*	2.38	2.56	K27	*	10.8	11.6	K54
4A77G21	2.57	2.87	K28	*	11.7	12.3	K55
*	2.88	3.13	K29	4A77G4	12.4	13.4	K56
4A77G6	3.14	3.37	K31	*	13.5	14.2	K57
4A77G28	3.38	3.72	K32	4A77G27	14.3	15.1	K58
*	3.73	4.00	K33	*	15.2	17.5	K60
*	4.01	4.35	K34	4A77G17	17.6	18.7	K61
4A77G22	4.36	4.99	K36	4A77G16	18.8	20.0	K62
*	5.00	5.38	K37	*	20.1	21.5	K63
4A77G8	5.39	5.79	K39	4A77G1	21.6	23.9	K64
4A77G23	5.80	6.43	K41	4A77G13	24.0	25.8	K67
4A77G29	6.44	6.83	K42				

*Obtain locally - not available from Modern Mill

**For 460V. and 575V. Horizontal and Vertical Auger
Motor Overload Protectors**

PART #	MIN.	MAX.	HEATER CODE NO.	PART #	FULL LOAD MOTOR AMPS. MIN.	FULL LOAD MOTOR AMPS. MAX.	HEATER CODE NO.
*	.35	.37	E5	*	2.89	3.14	E38
*	.38	.40	E6	*	3.15	3.40	E39
*	.41	.43	E7	*	3.41	3.81	E41
*	.44	.48	E8	*	3.82	4.25	E42
*	.49	.53	E9	*	4.26	4.62	E44
*	.54	.57	E11	*	4.63	5.09	E46
*	.58	.62	E12	*	5.10	5.61	E47
*	.63	.66	E13	*	5.62	5.91	E48
*	.67	.72	E14	*	5.92	6.15	E49
*	.73	.80	E16	*	6.16	6.70	E50
*	.81	.85	E17	*	6.71	7.54	E51
*	.86	.92	E18	*	7.55	8.29	E52
*	.93	.99	E19	*	8.30	8.99	E53
*	1.00	1.08	E23	*	9.00	9.85	E54
*	1.09	1.23	E24	*	9.86	10.4	E55
*	1.24	1.37	E26	*	10.5	12.0	E56
*	1.38	1.54	E27	*	12.1	13.6	E57
*	1.55	1.69	E28	*	13.7	15.6	E60
*	1.70	1.80	E29	*	15.7	17.0	E61
*	1.81	1.94	E31	*	17.1	19.4	E62
*	1.95	2.07	E-32	*	19.5	20.9	E65
*	2.08	2.26	E33	*	21.0	22.5	E66
*	2.27	2.54	E34	*	22.6	25.6	E67
*	2.55	2.69	E36	*	25.7	29.1	E69
*	2.70	2.88	E37	*	29.2	30.0	E70

METERING HOPPER ASSEMBLY PRIOR TO SER. NO. 2533

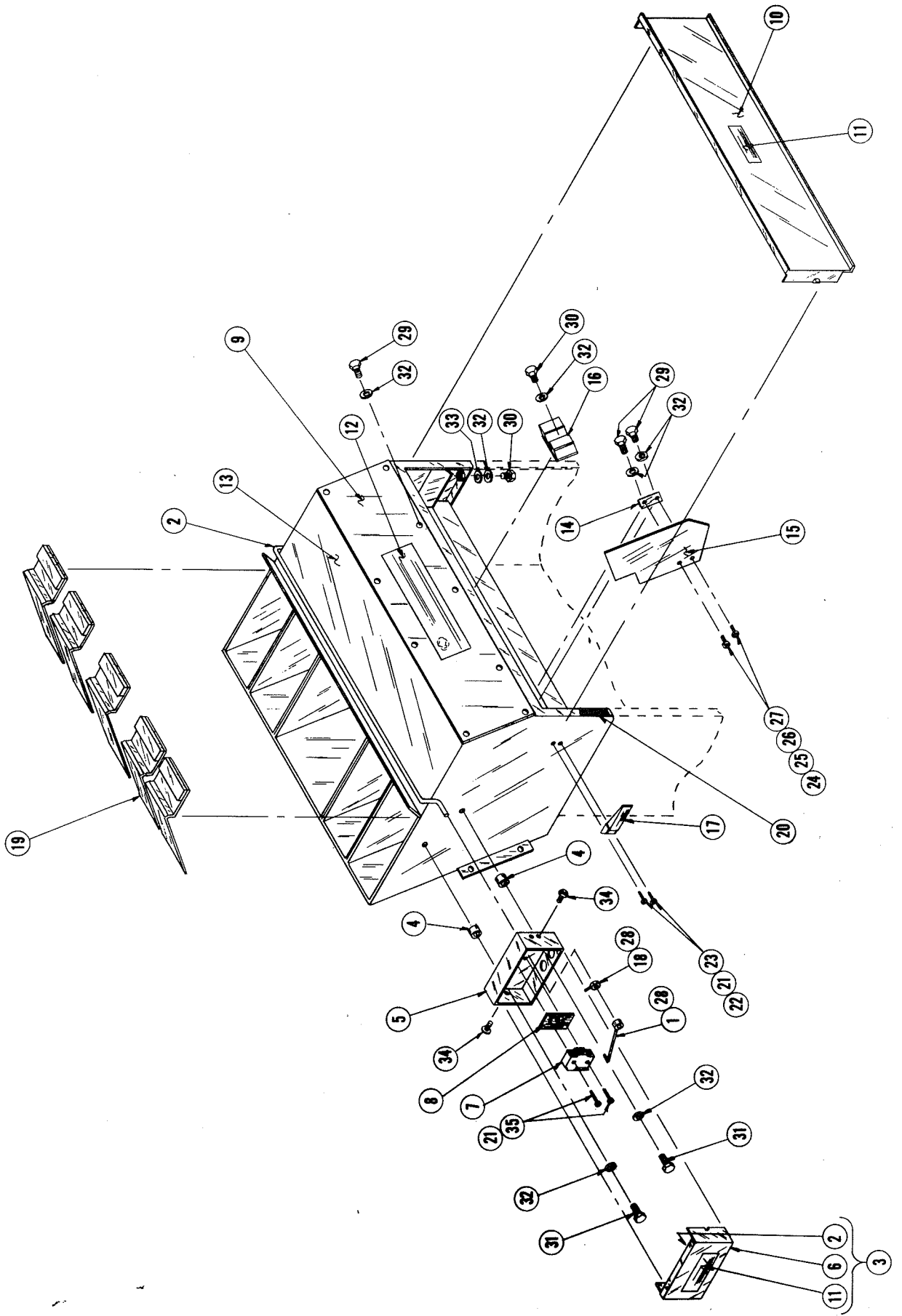


METERING HOPPER ASSEMBLY PRIOR TO SER. NO. 2533

ITEM	PART NO.	DESCRIPTION	QTY.
1	2A53	Bell Crank Lever Assy.	1
2	2A54	Bell Crank	1
3	2A57	Cover — Switch Box	1
4	2A103	Spacer — Switch Box	2
5	2A201	Switch Box Assy.	1
6	2A56	Switch Box	1
7	4A10G2	Micro Switch	1
8	4A55	Insulation	1
9	2A840	Cover Plate	1
10	2A772	Cover Assy. — Computer Hopper Back	1
11	9A49	Decal — Warning	2
12	9A50	Decal — Modern Mill	1
13	2A747	Computer Hopper — Welded	1
14	2A73	Bracket — Aluminum Divider	2
15	2A776	Aluminum Divider	2
16	9A217	Magnet	4
17	9A18	Camloc Latches	2
18	8A8	Collar & Pin Assy.	1

ITEM	PART NO.	DESCRIPTION	QTY.
19	2A24	Switch Paddle	5
20	9A53	Sealing Tape	178"
21		#6 Ext. Lock Washer	6
22		#6-32 Nut	6
23		#6-32 x 3/8" Rd. Hd. Mach. Screw	4
24		#8-32 x 1/2" Rd. Hd. Mach. Screw	4
25		#8-32 Hex Nut	4
26		#8 Lock washer	4
27		#8 Flat Washer	4
28		#10-24 x 1/4" Set Screw	2
29		1/4-20 x 1/2" Hex Hd. Cap Screw	13
30		1/4-20 x 3/4" Hex Hd. Cap Screw	15
31		1/4-20 x 1" Hex Hd. Cap Screw	2
32		1/4" Lock Washer	30
33		1/4" Flat Washer	11
34		#10-32 x 1/2" Phil. Pan Hd. S.T. Screw	2
35		#6-32 x 1 1/8" Rd. Hd. Mach. Screw	2

METERING HOPPER ASSEMBLY (SER. NO. 2533 AND LATER)

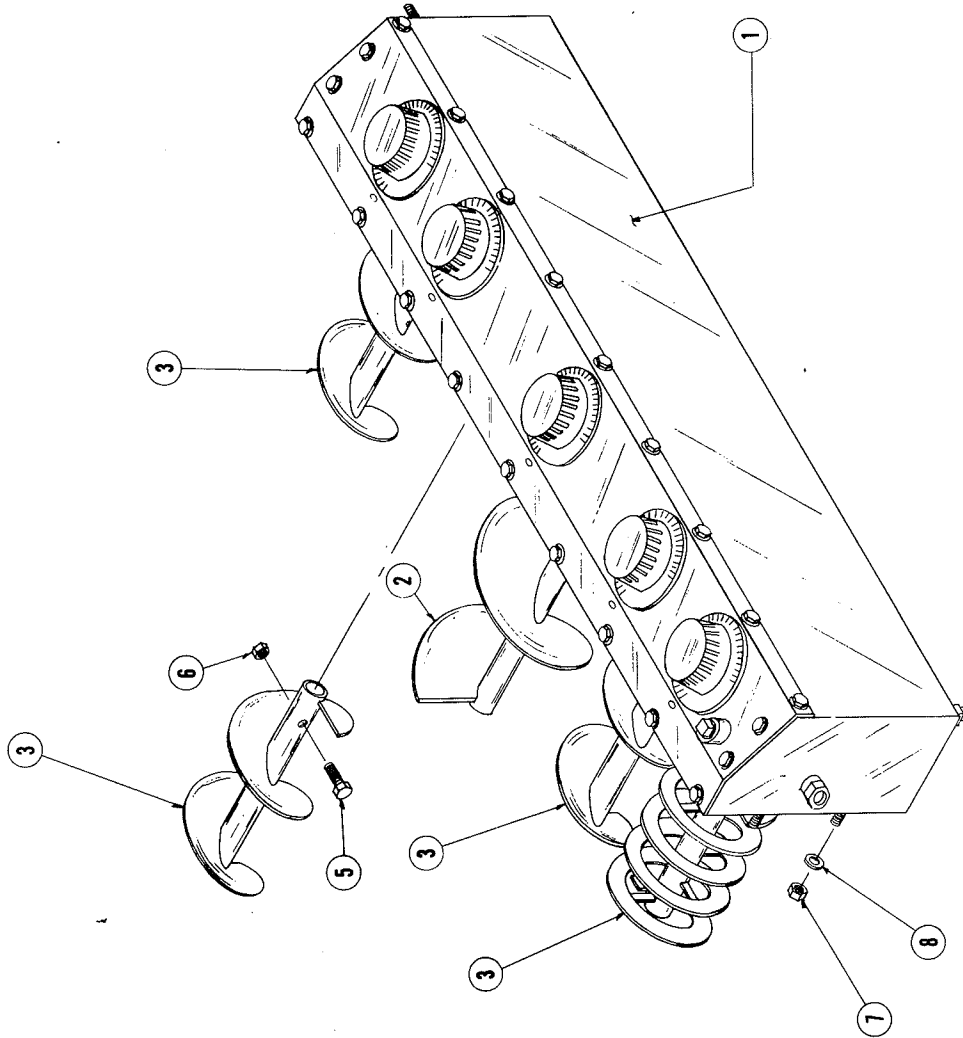
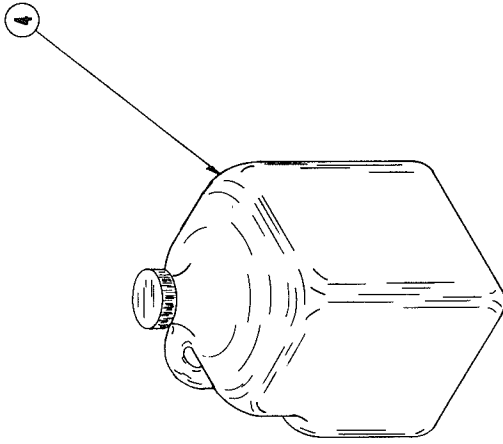


METERING HOPPER ASSEMBLY (SER. NO. 2533 AND LATER)

ITEM	PART NO.	DESCRIPTION	QTY.
1	2A53	Bell Crank Lever Assy.	1
2	2A54	Bell Crank	1
3	2A884	Cover Assy.	1
4	2A103	Spacer — Switch Box	2
5	2A885	Switch Box Assy.	1
6	1A1007	Cover — Switch Box	1
7	4A10G2	Micro Switch	1
8	4A55	Insulation	1
9	2A840	Cover Plate	1
10	2A772	Cover Assy. — Computer Hopper Back	1
11	9A49	Decal — Warning	2
12	9A50	Decal — Modern Mill	1
13	2A747	Computer Hopper — Welded	1
14	2A73	Bracket — Aluminum Divider	2
15	2A776	Aluminum Divider	2
16	9A217	Magnet	4
17	9A18	Camloc Latches	2
18	8A8	Collar & Pin Assy.	1

ITEM	PART NO.	DESCRIPTION	QTY.
19	2A24	Switch Paddle	5
20	9A53	Sealing Tape	178"
21		#6 Ext. Lock Washer	6
22		#8-32 Nut	4
23		#8-32 x 3/8" Rd. Hd. Mach. Screw	4
24		#8-32 x 1/2" Rd. Hd. Mach. Screw	4
25		#8-32 Hex Nut	4
26		#8 Lock Washer	4
27		#8 Flat Washer	4
28		#10-24 x 1/4" Set Screw	2
29		1/4-20 x 1/2" Hex Hd. Cap Screw	13
30		1/4-20 x 3/4" Hex Hd. Cap Screw	15
31		1/4-20 x 1" Hex Hd. Cap Screw	2
32		1/4" Lock Washer	30
33		1/4" Flat Washer	11
34		#10-32 x 1/2" Phill. Pan Hd. S.T. Screw	2
35		#8-32 x 1 1/8" Rd. Hd. Mach. Screw	2

METERING UNIT ASSEMBLY

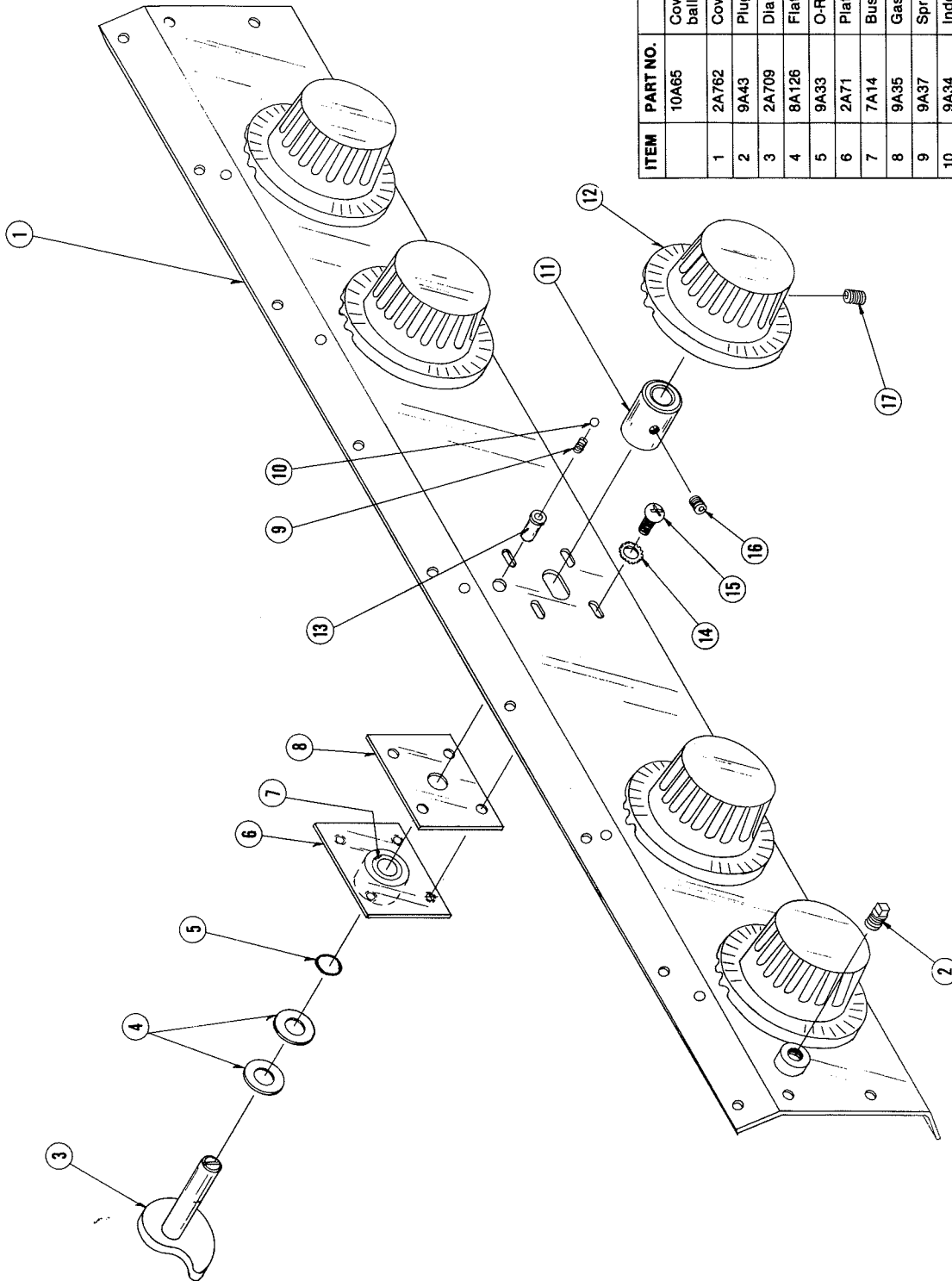


METERING UNIT ASSEMBLY

ITEM	PART NO.	DESCRIPTION	QTY.
1	10A66G3	Metering Unit Assy. (less Augers & Oil)	1
2	2A769	6" Metering Auger	1
3	2A770	4" Std. Metering Auger	REF
	2A768G1	4" x 1 3/4" Pitch Metering Auger	REF
	2A768G2	4" x 1 1/8" Pitch Metering Auger	REF
	2A767	Micro-Ingredient Auger	REF
4	9A11	Oil — Gallon	AR*
5		1/4" - 20 x 1 1/4" Hex Hd. Cap Screw	5
6		1/4" - 20 Lock Nut	5
7		5/16" - 18 Hex Nut	4
8		5/16" Lock Washer	4

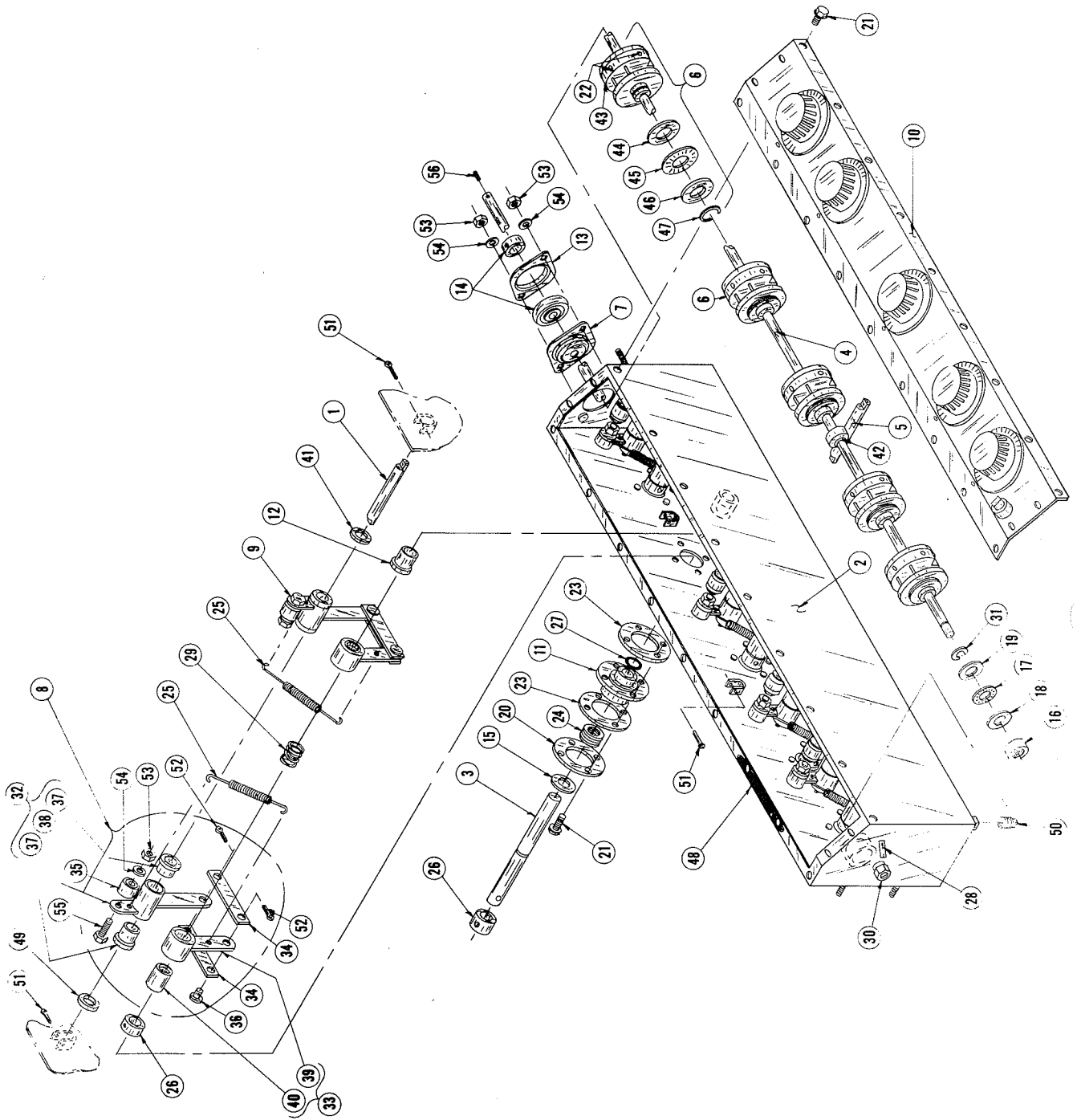
*Capacity — 2 1/4 Gal.

METERING UNIT COVER



ITEM	PART NO.	DESCRIPTION	QTY.
	10A65	Cover Sub Assy. (complete - less knobs, balls, & springs)	
1	2A762	Cover	1
2	9A43	Plug, Breather (3/8" NPT)	1
3	2A709	Dial Cam Assy.	5
4	8A126	Flat Washer (1/2" I.D. x 7/8" O.D. x .030")	10
5	9A33	O-Ring	5
6	2A71	Plate & Sleeve Assy. w/Bushing	5
7	7A14	Bushing	5
8	9A35	Gasket	5
9	9A37	Spring	5
10	9A34	Indent Ball	5
11	8A27	Dial Knob Collar	5
12	2A710	Dial Knob - 40 Notch	5
13	9A36	Well, Indent Ball Spring	5
14		External Tooth Lock Washer (#8)	20
15		Pan Hd. Mach. Screw (8-32x5/16")	20
16		Allen Hd. Set Screw (1/4"-20 x 1/4")	5
17		Allen Hd. Set Screw (1/4"-20 x 1/2")	5

METERING UNIT — INTERNAL PARTS

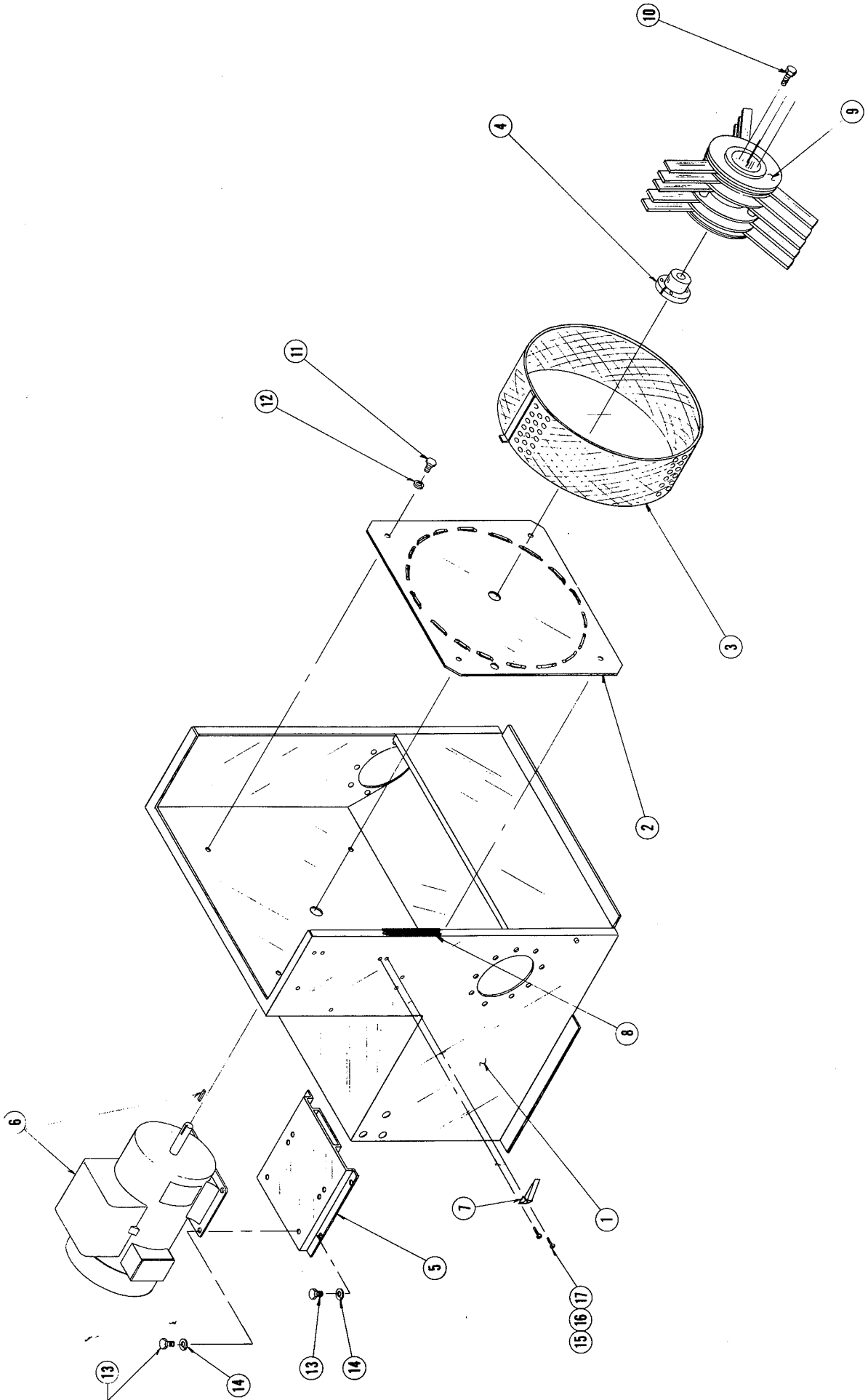


METERING UNIT — INTERNAL PARTS

ITEM	PART NO.	DESCRIPTION	QTY.
	10A66G3	Metering Unit Assembly (less Augers & Oil)	
1	2A34	Shaft - Rocker Arms	5
2	2A761	Housing - Assy.	1
3	2A764	Auger Shaft	5
4	2A765	Drive Shaft - Main	1
5	2A766	Center Support Bearing Assy. w/Bushing	1
6	10A7	Cam Assy. w/Thrust Washer	5
7	10A15	Flange & Oil Seal Assy.	1
8	10A54G1	Clutch & Rocker Assy. - R.H.	5
9	10A54G2	Clutch & Rocker Assy. - L.H.	5
10	10A65	Cover Sub Assy. (less knobs, balls, and springs)	See Page 1-14
11	7A1	Nylon Bearing (special)	5
12	7A4	Nylon Bushing - 5/8"	5
13	7A10	Bearing Flange	1
14	7A12	1/2" Bearing & Lock Collar	1
15	7A17	Bronze Washer 5/8" I.D. x 1 1/4" O.D. x 1/8"	5
16	7A28	Roller Bearing	1
17	7A29	Thrust Bearing	1
18	7A30	Thrust Washer	1
19	7A31	Thrust Washer	1
20	8A1	Rackup Washer	5
21	8A31	1/4" x 1/2" Swage Form Screw	42
22	8A28	Allen Hd. Set Screw (10-32 x 1/4")	20
23	9A1	Gasket	10
24	9A2	Felt Seal	5
25	9A12	Spring	10
26	9A20	Shaft Collar	10
27	9A27	O-Ring	5
28	9A46	Decal - Oil Level	1

ITEM	PART NO.	DESCRIPTION	QTY.
29	9A193	Spring - Clutch Bearing	5
30	9A206	Sight Glass	1
31	9A215	Retaining Ring	1
32	10A52	Rocker Arm Assy. w/Nylon Bushings	10
33	10A53	Clutch Arm Assy. w/7A26 Roller Clutch	10
34	2A33	Bar-Link	20
35	7A5	Cam Follower Bearing	10
36	8A30	Shoulder Pin (special)	20
37	7A3	Nylon Bearing - 1/2"	20
38	2A703	Rocker Arm	10
39	2A702	Clutch Arm	10
40	7A26	Roller Clutch Bearing	10
41	8A126	Shim Washer	AR
42	7A14	Bushing - Center Support	1
43	2A2	Cam Sub Assy.	5
44	7A8	Thrust Washer, Inner	5
45	7A7	Needle Bearing	5
46	7A9	Thrust Washer, Outer	5
47	9A16	Retaining Ring	5
48	9A45	Sealant - 12 oz. Tube	AR
49		7/8" O.D. x 1/2" I.D. x 18 GA Washer	10
50		3/8" Galv. Pipe Plug	1
51		Cotter Pin 3/32" x 1"	12
52		Cotter Pin 3/32" x 1/2"	20
53		1/4" x 20 Hex Nut	12
54		1/4" Lock Washer	12
55		1/4" - 20 x 1" Hex Hd. Cap Screw	10
56		1/4" - 28 x 1/4" Set Screw	1

MILL HOUSING AND MILL MOTOR

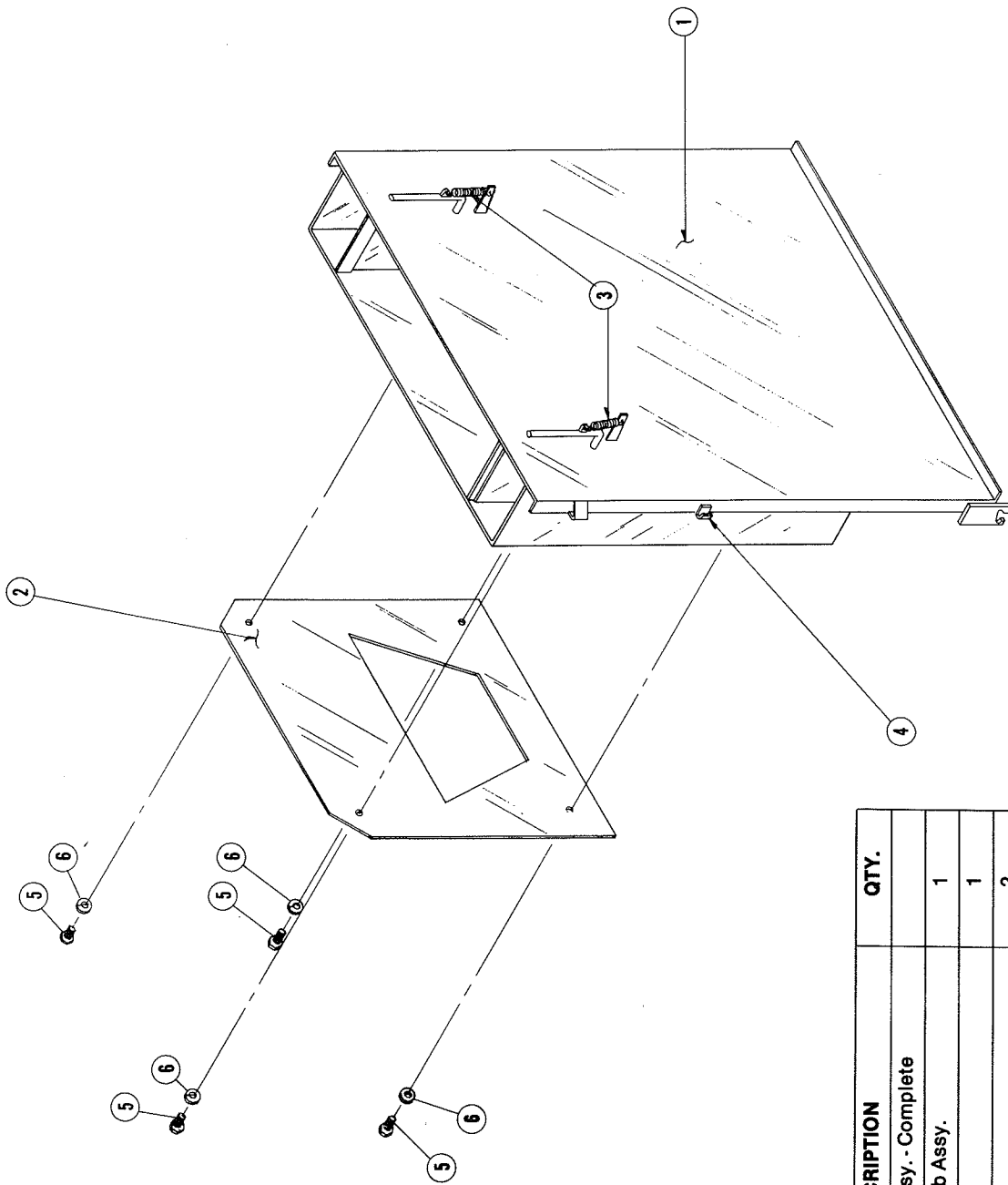


MILL HOUSING AND MILL MOTOR

ITEM	PART NO.	DESCRIPTION	QUANTITY													
			5 HP-10 230V.	7 1/2 HP-10 230V.	10 HP-10 230V.	5 HP-30 208-230V. & 460V.	10 HP-30 208-230V. & 460V.	15 HP-30 208-230V. & 460V.	5 HP-30 575V.	10 HP-30 575V.	15 HP-30 575V.					
1	2A755	Mill Housing Assy.	1	1	1	1	1	1	1	1	1	1	1	1	1	1
2	2A780	Inner Wear Plate	1	1	1	1	1	1	1	1	1	1	1	1	1	1
3	10A130	Screen (Specify Size) 1/16, 3/32, 1/8, 5/32, 3/16, 7/32, 1/4, 5/16, 3/8, 7/16, 1/2	1	1	1	1	1	1	1	1	1	1	1	1	1	1
4	6A79	SDx1 1/8" QD Bushing for Beater Hub	1													
	6A80	SDx1 3/8" QD Bushing for Beater Hub	1	1	1	1	1	1	1	1	1	1	1	1	1	1
5	2A773	Adapter Plate (for 184T Frame Motor Only)	1			1										
6	3A100	Mill Motor (w/1/4" x 1/4" x 1 1/4" Key)	1													
	3A101	Mill Motor (w/5/16" x 5/16" x 2 3/8" Key)		1												
	3A102	Mill Motor (w/5/16" x 5/16" x 2 3/8" Key)			1											
	3A103	Mill Motor (w/1/4" x 1/4" x 1 3/4" Key)				1										
	3A104	Mill Motor (w/5/16" x 5/16" x 2 3/8" Key)					1									
	3A105	Mill Motor (w/5/16" x 5/16" x 2 3/8" Key)						1								
	3A106	Mill Motor (w/1/4" x 1/4" x 1 3/4" Key)										1				
	3A107	Mill Motor (w/5/16" x 5/16" x 2 3/8" Key)													1	
	3A108	Mill Motor (w/5/16" x 5/16" x 2 3/8" Key)														1
7	9A18	Camloc Latches														
8	9A53	Sealing Tape	2	2	2	2	2	2	2	2	2	2	2	2	2	2
9	10A55	Beater Hub Assy.	112"	112"	112"	112"	112"	112"	112"	112"	112"	112"	112"	112"	112"	112"
10		1/4" - 20x 1" Hex Hd. Cap screw	3	3	3	3	3	3	3	3	3	3	3	3	3	3
11		5/16" - 18 x 3/4" Hex Hd. Cap Screw	4	4	4	4	4	4	4	4	4	4	4	4	4	4
12		5/16" Lock Washer	4	4	4	4	4	4	4	4	4	4	4	4	4	4
13		3/8" - 16 x 3/4" Hex Hd. Cap Screw	8			8										
		3/8"-16 x 1" Hex Hd. Cap Screw		4	4		4	4								
14		3/8" Lock Washer	8	4	4	8	4	4	8	4	4	8	4	4	4	4
15		#6-32 x 3/8" Rd. Hd. Mach. Screw	4	4	4	4	4	4	4	4	4	4	4	4	4	4
16		#6-32 Hex Nut	4	4	4	4	4	4	4	4	4	4	4	4	4	4
17		#6 Lock Washer	4	4	4	4	4	4	4	4	4	4	4	4	4	4

SEE PAGE 1-25

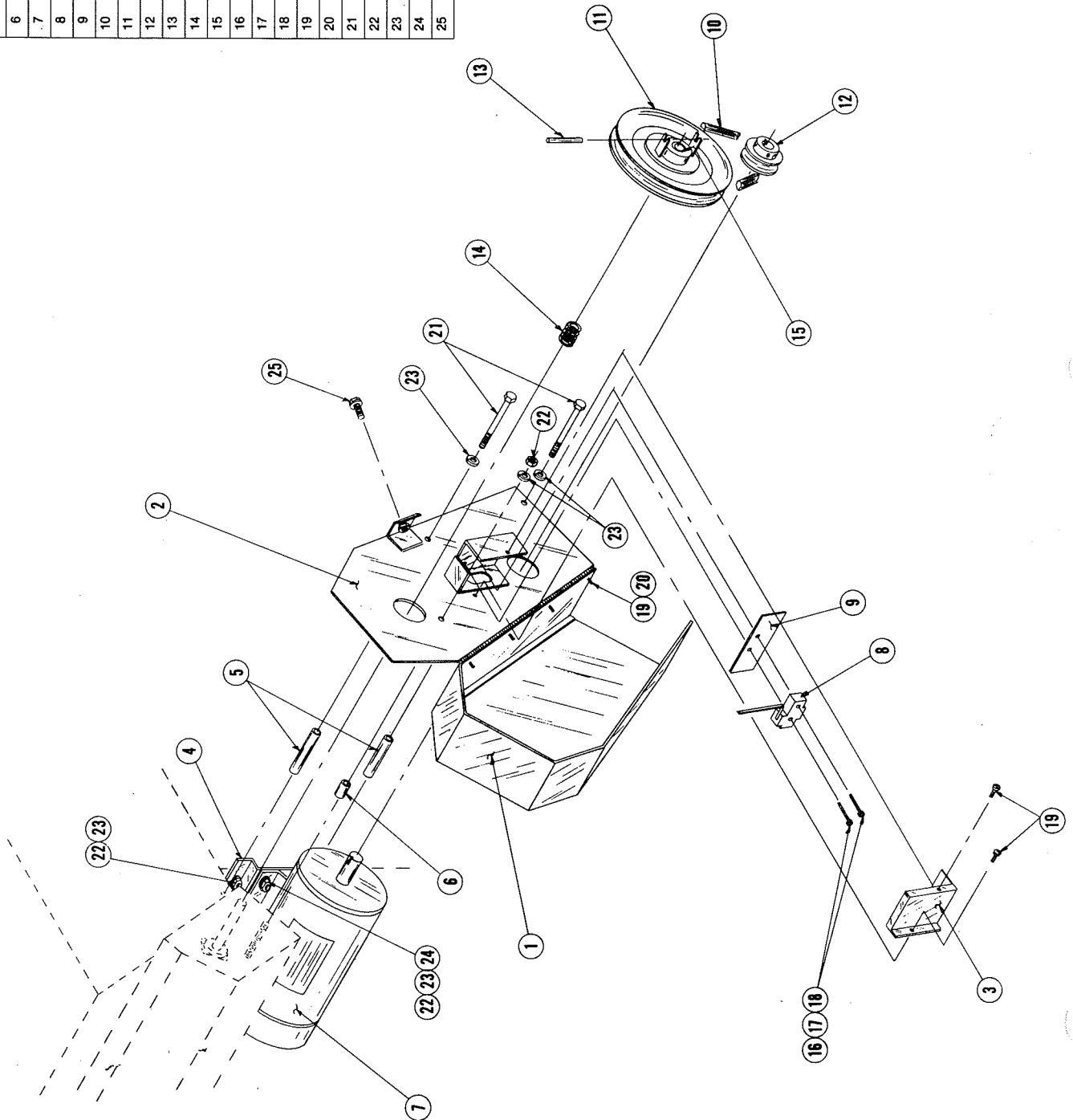
MILL BACK ASSEMBLY



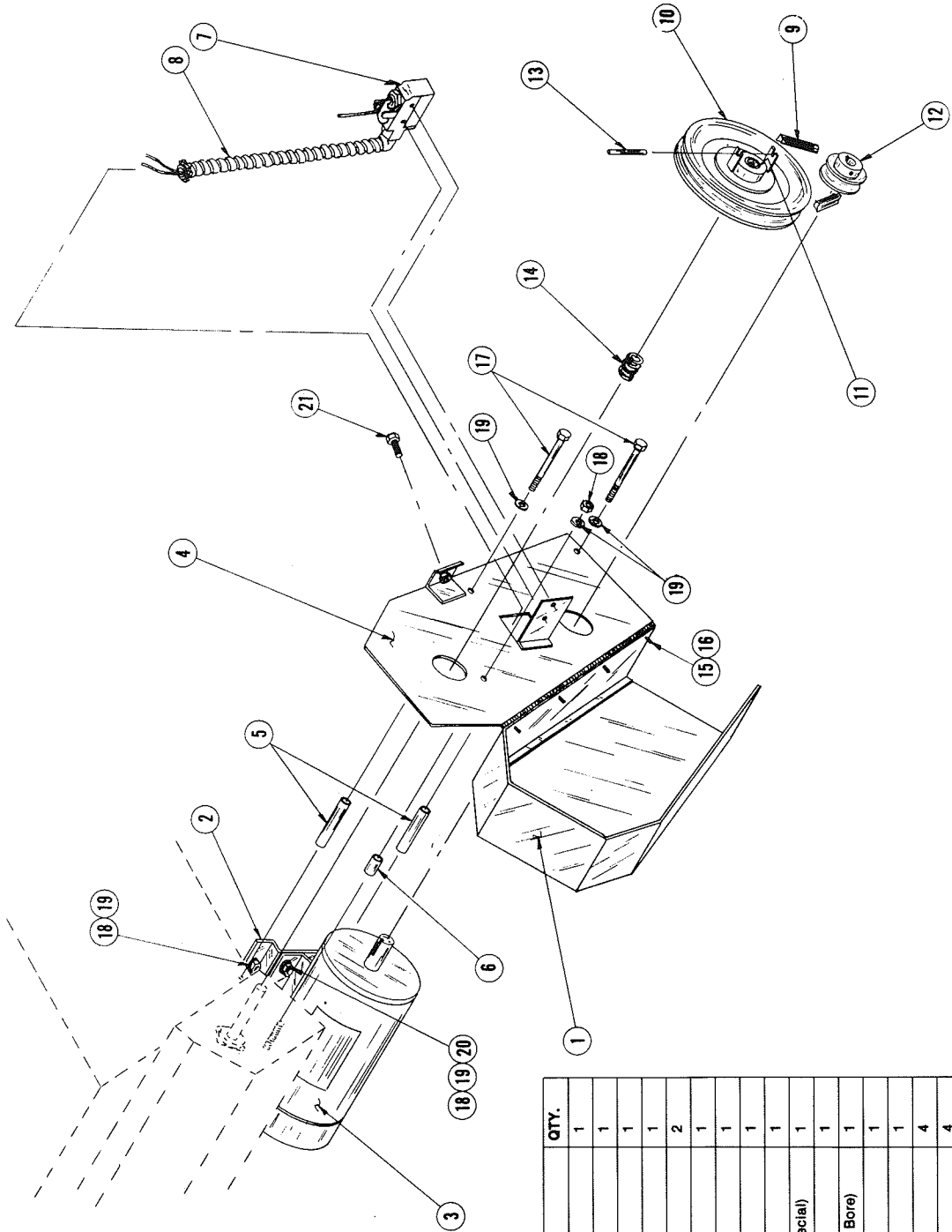
ITEM	PART NO.	DESCRIPTION	QTY.
	10A63	Mill Back Assy. - Complete	
1	2A749	Mill Back Sub Assy.	1
2	2A750	Wear Plate	1
3	9A7	Spring	2
4	9A17	Camloc Clip (available separately)	AR
5		5/16"-18 x 3/4" Hex Hd. Cap Screw	4
6		5/16" Lock Washer	4

METER DRIVE (PRIOR TO SER. NO. 2533)

ITEM	PART NO.	DESCRIPTION	QTY.
1	2A751	Cover Assy. - Belt Guard	1
2	2A752	Back Assy. - Belt Guard w/Hinge	1
3	2A753	Switch Cover	1
4	2A774	D.C. Motor Mtg. Plate	1
5	2A779G1	Spacer Tube	2
6	2A779G2	Spacer Tube	1
7	3A78	D.C. Motor - 1/4 H.P.	1
8	4A11G5	Micro Switch	1
9	2A866	Insulation	1
10	5A3G15	V-Belt (4L320)	1
11	6A1	V-Pulley - Drive w/Bushing (special)	1
12	6A4	V-Pulley - Motor (2" O.D. x 5/8" Bore)	1
13	9A4	Safety Pin	1
14	9A5	Spring - Drive Pulley	1
15	7A2	Bushing	1
16		#6-32 x 1 1/8" Rd. Hd. Mach. Screw	2
17		#6-32 Hex Nut	2
18		#6 Lock Washer	2
19		#10-32 x 1/2" S.T. Mach. Screw	6
20		#10 Lock Washer	4
21		5/16" - 18 x 3 1/2" Hex Hd. Cap Screw	2
22		5/16" - 18 Hex Nut	9
23		5/16" Lock Washer	11
24		5/16" Flat Washer	4
25		1/4" - 20 3/4" Hex Washer Hd. Mach. Screw	1

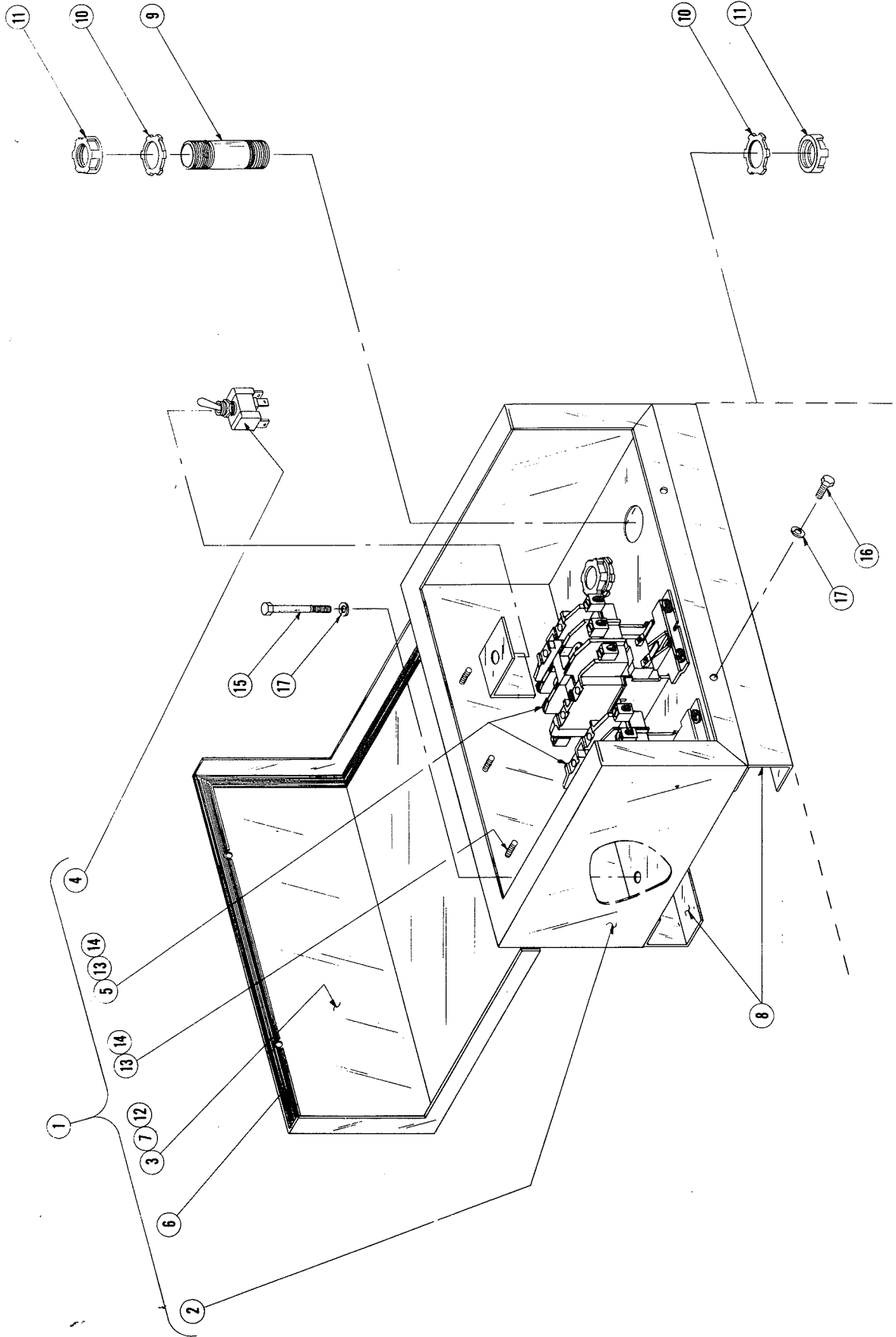


METER DRIVE (SER. NO. 2533 AND LATER)



ITEM	PART NO.	DESCRIPTION	QTY.
1	2A751	Cover Assy. - Belt Guard	1
2	2A774	D.C. Motor Mfg. Plate	1
3	3A78	D.C. Motor - 1/4 H.P.	1
4	2A875	Back Assy. w/Hinge	1
5	2A779G1	Spacer Tube	2
6	2A779G2	Spacer Tube	1
7	4A252G2	Micro Switch - Sealed	1
8	10A118	Wire Harness Assy.	1
9	5A3G15	V-Belt (4L320)	1
10	6A1	V-Pulley - Drive w/Bushing (Special)	1
11	7A2	Bushing	1
12	6A4	V-Pulley - Motor (2" O.D. x 5/8" Bore)	1
13	9A4	Safety Pin	1
14	9A5	Spring - Drive Pulley	1
15		#10-32 x 1/2" S.T. Mach. Screw	4
16		#10 Lock Washer	4
17		5/16" - 18 x 3/2" Hex Hd. Cap Screw	2
18		5/16" - 18 Hex Nut	9
19		5/16" Lock Washer	11
20		5/16" Flat Washer	4
21		1/4" - 20 x 1/4" Hex Washer Hd. Mach. Screw	1

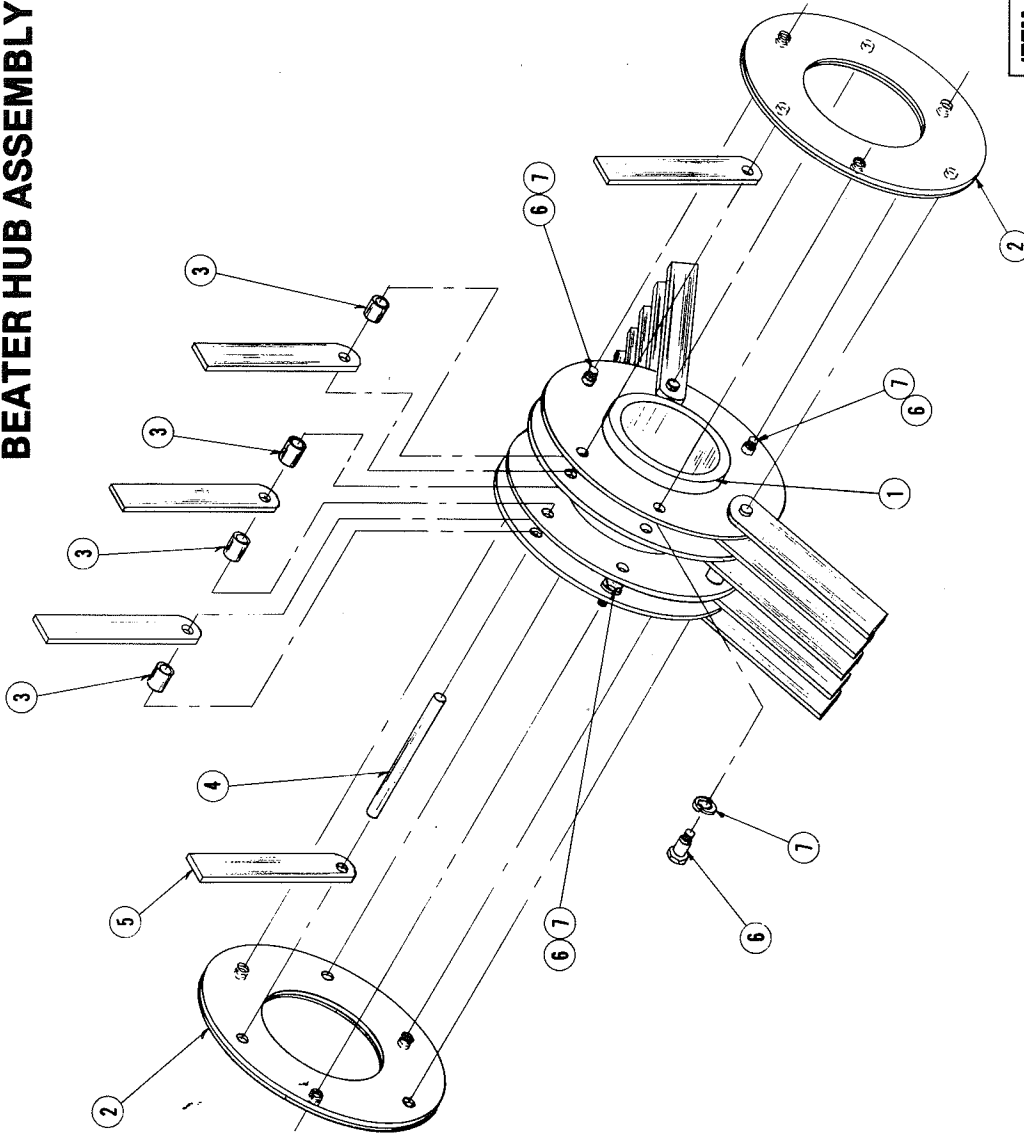
REVERSING SWITCH BOX



REVERSING SWITCH BOX

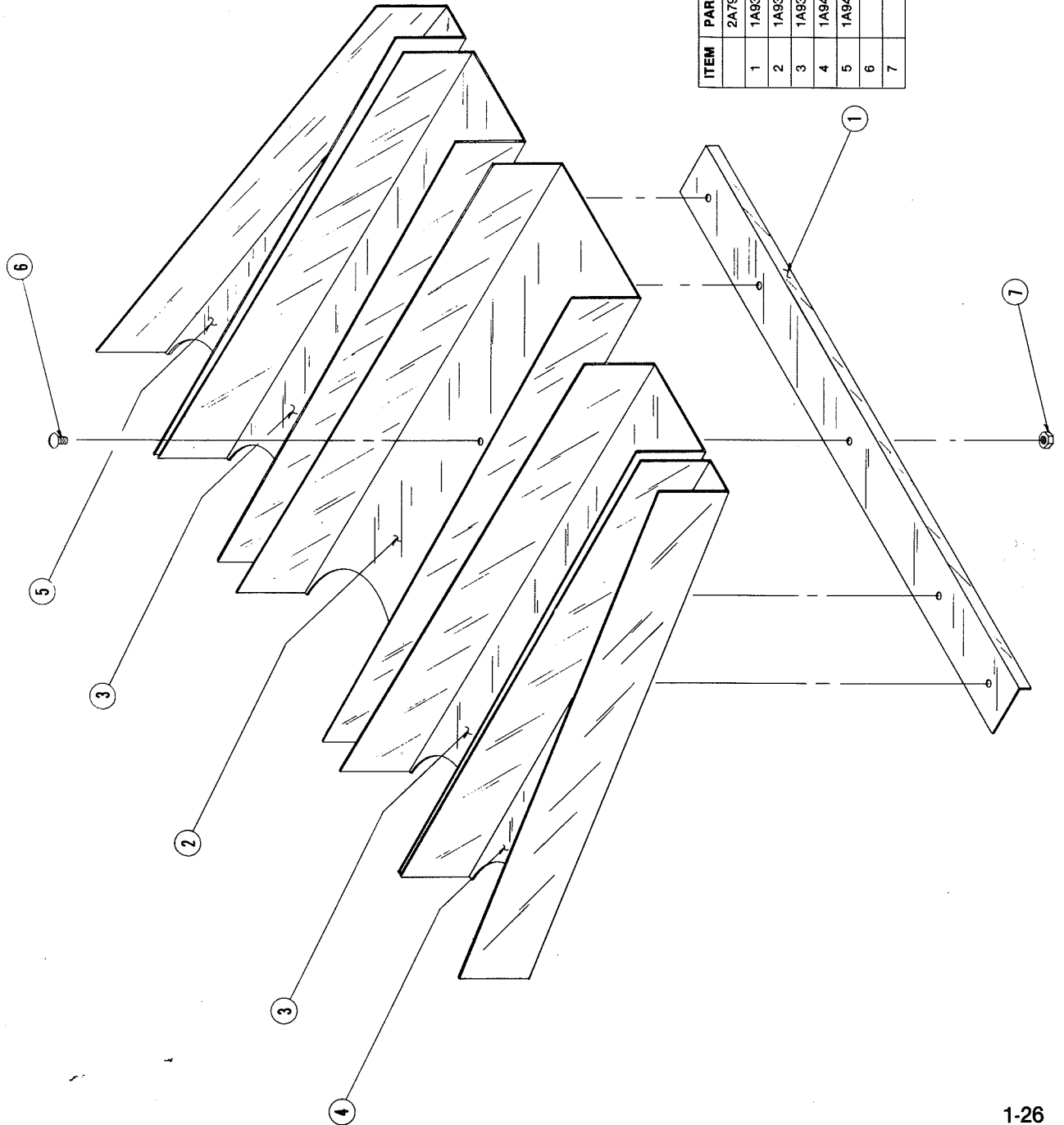
ITEM	PART NO.	DESCRIPTION	QUANTITY													
			5 HP-1Ø 230V.	7 1/2 HP-1Ø 230V.	10 HP-1Ø 230V.	5 HP-3Ø 208-230V. & 460V.	10 HP-3Ø 208-230V. & 460V.	15 HP-3Ø 208-230V. & 460V.	5 HP-3Ø 575V.	10 HP-3Ø 575V.	15 HP-3Ø 575V.					
1	10A89G1	Reversing Switch Box Assy. (complete)	1	1	1	1	1	1	1	1	1	1	1	1	1	1
	10A89G2	Reversing Switch Box Assy. (complete)							1							
2	2A827	Housing Assy.	1	1	1	1	1	1	1	1	1	1	1	1	1	1
3	2A828	Cover Assy. w/Hinge	1	1	1	1	1	1	1	1	1	1	1	1	1	1
4	4A223	Toggle Switch (DPST)	1	1	1	1	1	1	1	1	1	1	1	1	1	1
5	4A182	Contact 40 Amp. - 3 Pole	2	2	2	2	2	2	2	2	2	2	2	2	2	2
	4A183	Contact 50 Amp. - 3 Pole														
6	9A53	Sealing Tape	36"	36"	36"	36"	36"	36"	36"	36"	36"	36"	36"	36"	36"	36"
7	9A220	Decal - Instructions (for cover)	1	1	1	1	1	1	1	1	1	1	1	1	1	1
8	2B829	Mtg. Angle	2	2	2	2	2	2	2	2	2	2	2	2	2	2
9	9A221	3/4" x 2 1/2" Galv. Pipe Nipple	2	2	2	2	2	2	2	2	2	2	2	2	2	2
10	4A214	3/4" Conduit Lock Nut	4	4	4	4	4	4	4	4	4	4	4	4	4	4
11	4A225	3/4" Plastic Insulating Bushing	4	4	4	4	4	4	4	4	4	4	4	4	4	4
12	9A49	Decal - Warning (for cover)	1	1	1	1	1	1	1	1	1	1	1	1	1	1
13		#10-32 x 1/2" S.T. Screw	9	9	9	9	9	9	9	9	9	9	9	9	9	9
14		#10 Lock Washer	9	9	9	9	9	9	9	9	9	9	9	9	9	9
15		1/4" - 20 x 2 1/4" Hex Hd. Cap Screw	4	4	4	4	4	4	4	4	4	4	4	4	4	4
16		1/4" - 20 x 1/2" Hex Hd. Cap Screw	2	2	2	2	2	2	2	2	2	2	2	2	2	2
17		1/4" Lock Washer	6	6	6	6	6	6	6	6	6	6	6	6	6	6

BEATER HUB ASSEMBLY



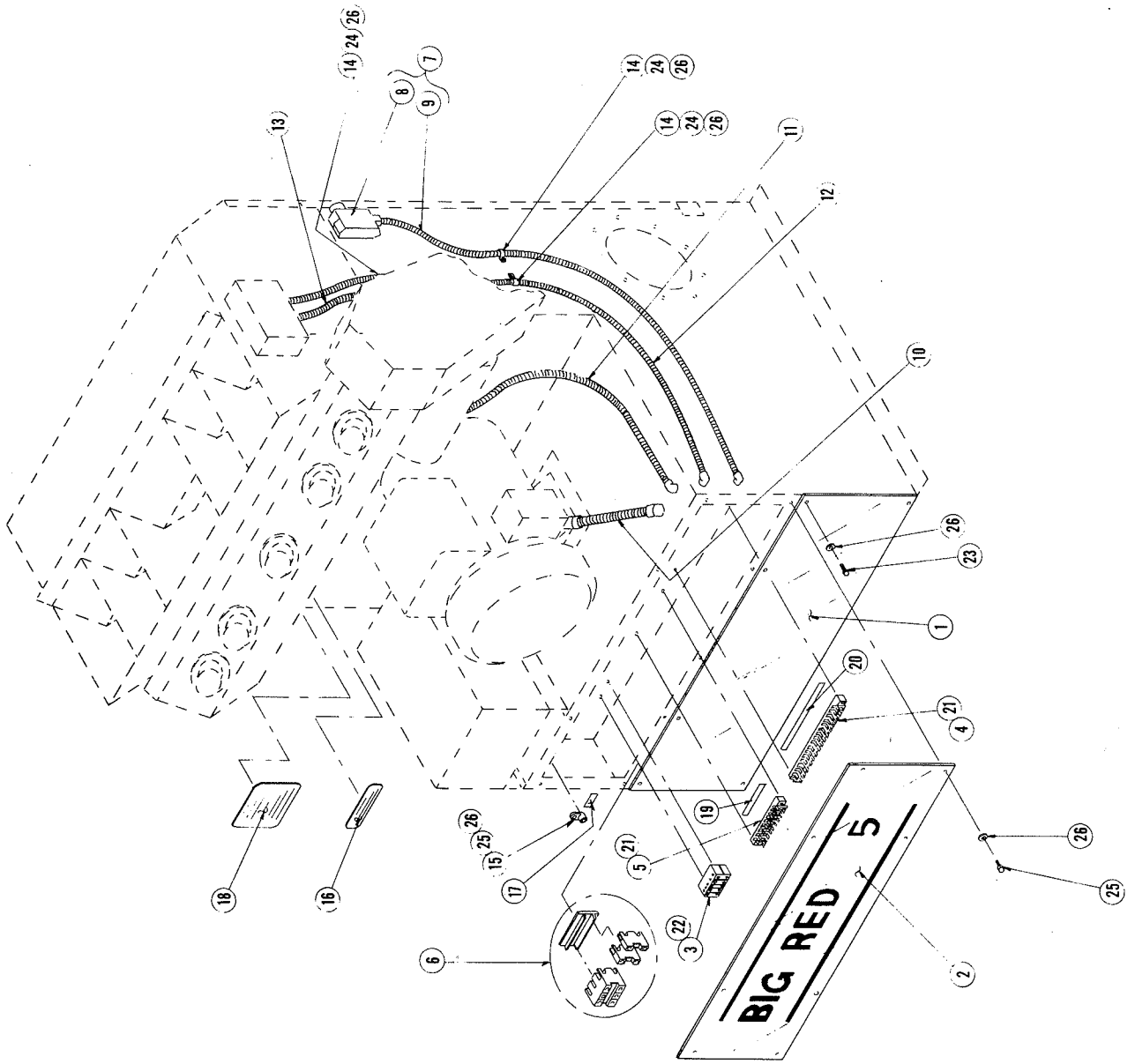
ITEM	PART NO.	DESCRIPTION	QTY.
	10A55	Beater Hub Assy. - Complete	
1	2A713	Hub	1
2	2A712	Cover Plate assy.	2
3	2A711	Spacer	12
4	2A660	Hinge Pin	3
5	2A718	Hammers Set (15 Hammers)	1
6	8A127	Shoulder Bolt (Special)	6
7		Spring Lock Washer (3/8" -Med.)	6

SAMPLING CHUTE



ITEM	PART NO.	DESCRIPTION	QTY.
1	2A797	Sampling Chute - Complete	1
2	1A937	Support Channel	1
3	1A938	6" Trough	1
4	1A939	4" Trough	2
5	1A940G1	End Trough - #6 Metering Auger	1
6	1A940G2	End Trough - #1 Metering Auger	1
7		1/4" - 20 x 1/2" Rd. Hd. Mach. Screw	5
		1/4" - 20 Lock Nut	5

WIRE HARNESS AND JUNCTION BOX COMPONENTS



WIRE HARNESS AND JUNCTION BOX COMPONENTS

ITEM	PART NO.	DESCRIPTION	QUANTITY												
			(5 HP-1Ø)	(7 ½ HP-1Ø)	(10 HP-1Ø)	(5 HP-3Ø; 208/230-460V.)	(10 HP-3Ø; 208/230-460V.)	(15 HP-3Ø; 208/230-460V.)	(5 HP-3Ø; 575V.)	(10 HP-3Ø; 575V.)	(15 HP-3Ø; 575V.)				
1	2A775	Cover Plate — Lower Front	1	1	1	1	1	1	1	1	1	1	1	1	1
2	2A778	Cover Plate-Junction Box w/Big Red Series 50	1	1	1	1	1	1	1	1	1	1	1	1	1
3	4A34	Terminal Block — 5 Terminal	1	1	1	1	1	1	1	1	1	1	1	1	1
4	4A178	Terminal Block — 16 Terminal	1	1	1	1	1	1	1	1	1	1	1	1	1
5	4A179	Terminal Block — 8 Terminal	1	1	1	1	1	1	1	1	1	1	1	1	1
6	4A238	Terminal Block — 3 Terminal	1	1	1	1	1	1	1	1	1	1	1	1	1
	4A239	Terminal Block — 1 Terminal			2										
	4A242	Mtg. Rail — Terminal Block			1										
7	10A83	Door Interlock Switch & Harness Assy.	1	1	1	1	1	1	1	1	1	1	1	1	1
8	4A134	Micro Switch — Sealed (Door Interlock)	1	1	1	1	1	1	1	1	1	1	1	1	1
9	10A115	Wire Harness — Door Interlock Switch	1	1	1	1	1	1	1	1	1	1	1	1	1
10	10A79G1	Wire Harness — Mill Motor	1												
	10A79G2	Wire Harness — Mill Motor	1												
	10A79G3	Wire Harness — Mill Motor			1										
	10A79G4	Wire Harness — Mill Motor						1							
	10A79G5	Wire Harness — Mill Motor							1						
11	10A80	Wire Harness — D.C. Motor	1	1	1	1	1	1	1	1	1	1	1	1	1
12	10A81	Wire Harness — Flow Switch Box	1	1	1	1	1	1	1	1	1	1	1	1	1
13	10A82	Wire Harness — Pulley Switch	1	1	1	1	1	1	1	1	1	1	1	1	1
14	4A69	3/8" Conduit Clamp	3	3	3	3	3	3	3	3	3	3	3	3	3
15	4A184	Ground Lug	1	1	1	1	1	1	1	1	1	1	1	1	1
16	9A68	Decal — Patent	1	1	1	1	1	1	1	1	1	1	1	1	1
17	9A69	Decal — Ground	1	1	1	1	1	1	1	1	1	1	1	1	1
18	9A144	Decal — Identification	1	1	1	1	1	1	1	1	1	1	1	1	1
19	9A202	Decal — Terminal Block (#2, #9, #20-25)	1	1	1	1	1	1	1	1	1	1	1	1	1
20	9A203	Decal — Terminal Block (#35-#46)	1	1	1	1	1	1	1	1	1	1	1	1	1
21		#8-32 x 1/2" S.T. Mach. Screw	4	4	6	4	4	4	4	4	4	4	4	4	4
22		#8-32 x 1 1/4" S.T. Mach. Screw	2	2		2	2	2	2	2	2	2	2	2	2
23		1/4" - 20 x 1/2" S.T. Mach. Screw	6	6	6	6	6	6	6	6	6	6	6	6	6
24		1/4" - 20 x 3/4" S.T. Mach. Screw	3	3	3	3	3	3	3	3	3	3	3	3	3
25		1/4" - 20 x 1/2" Hex Hd. Cap Screw	8	8	8	8	8	8	8	8	8	8	8	8	8
26		1/4" Lock Washer	17	17	17	17	17	17	17	17	17	17	17	17	17