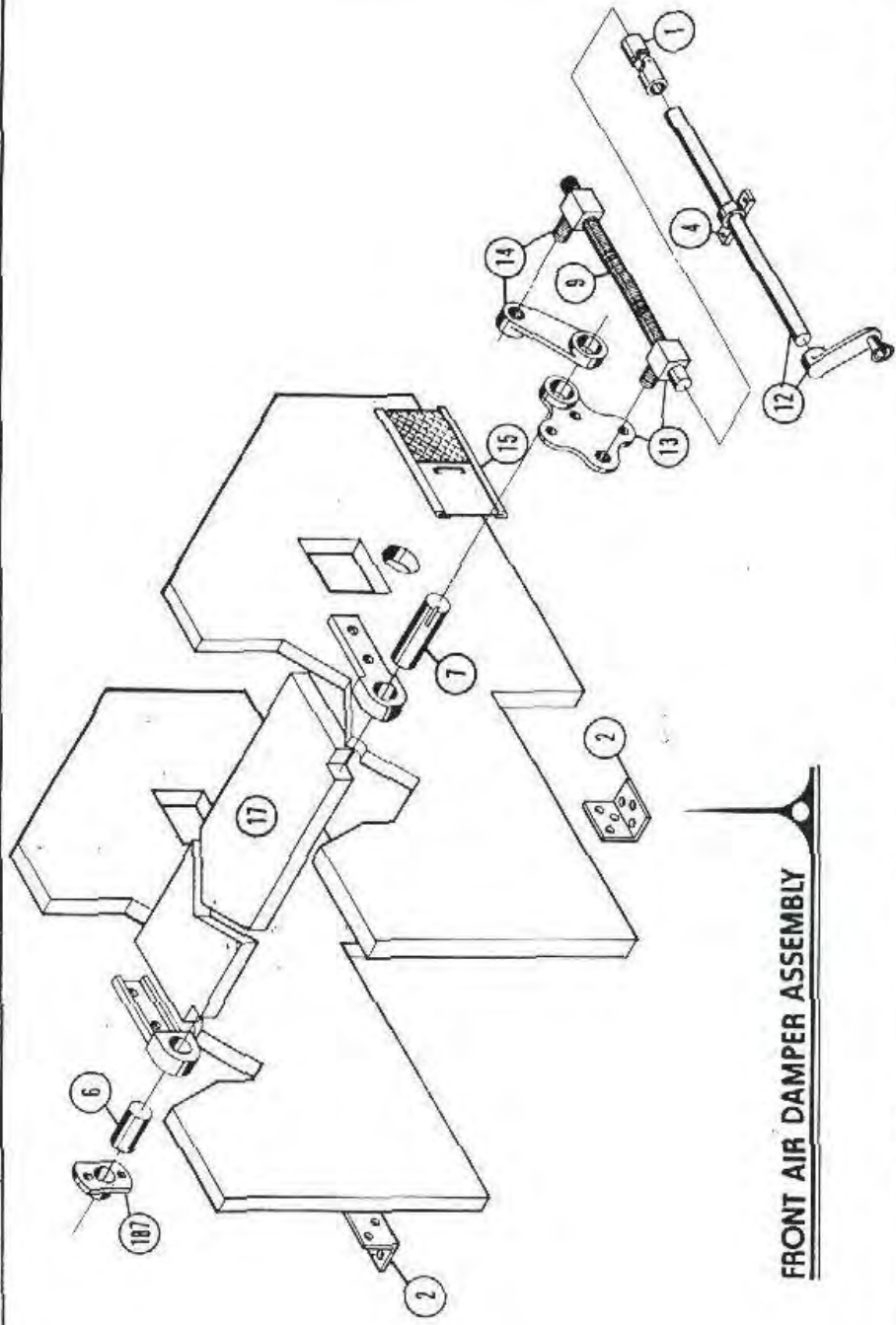


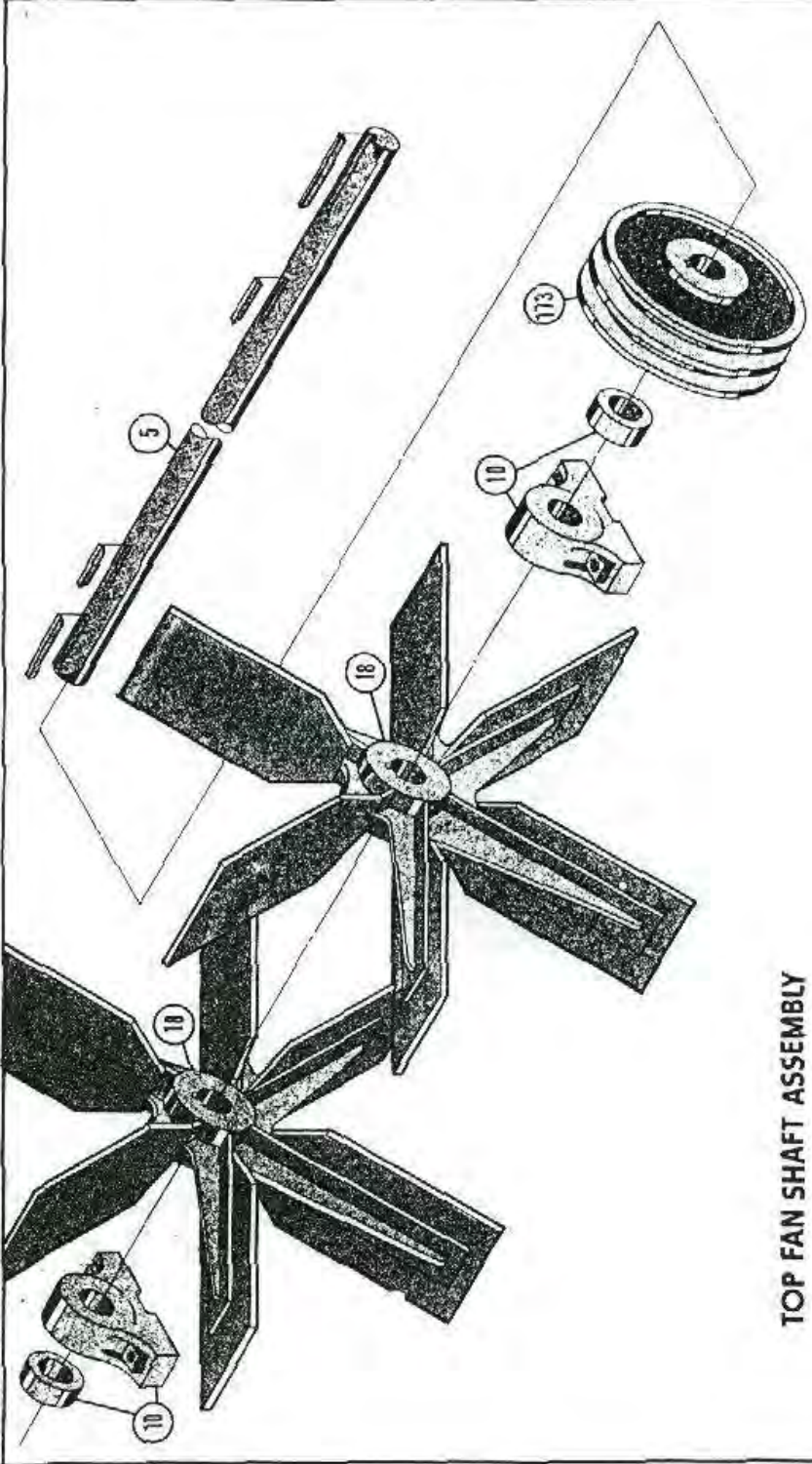
BLUE PRINT SUPPLY & CO. INC. N.Y.



FRONT AIR DAMPER ASSEMBLY

SYM	REVISION	DATE	ON	DATE	SCALE	DATE	DRAWN BY	front air damper assembly		DWG. NO.	MACH. NO.
								FERRELL - ROSS	SAGINAW MICH.		

SCALE PER NET SUPPLY © 1991 E.P.A. 1317A

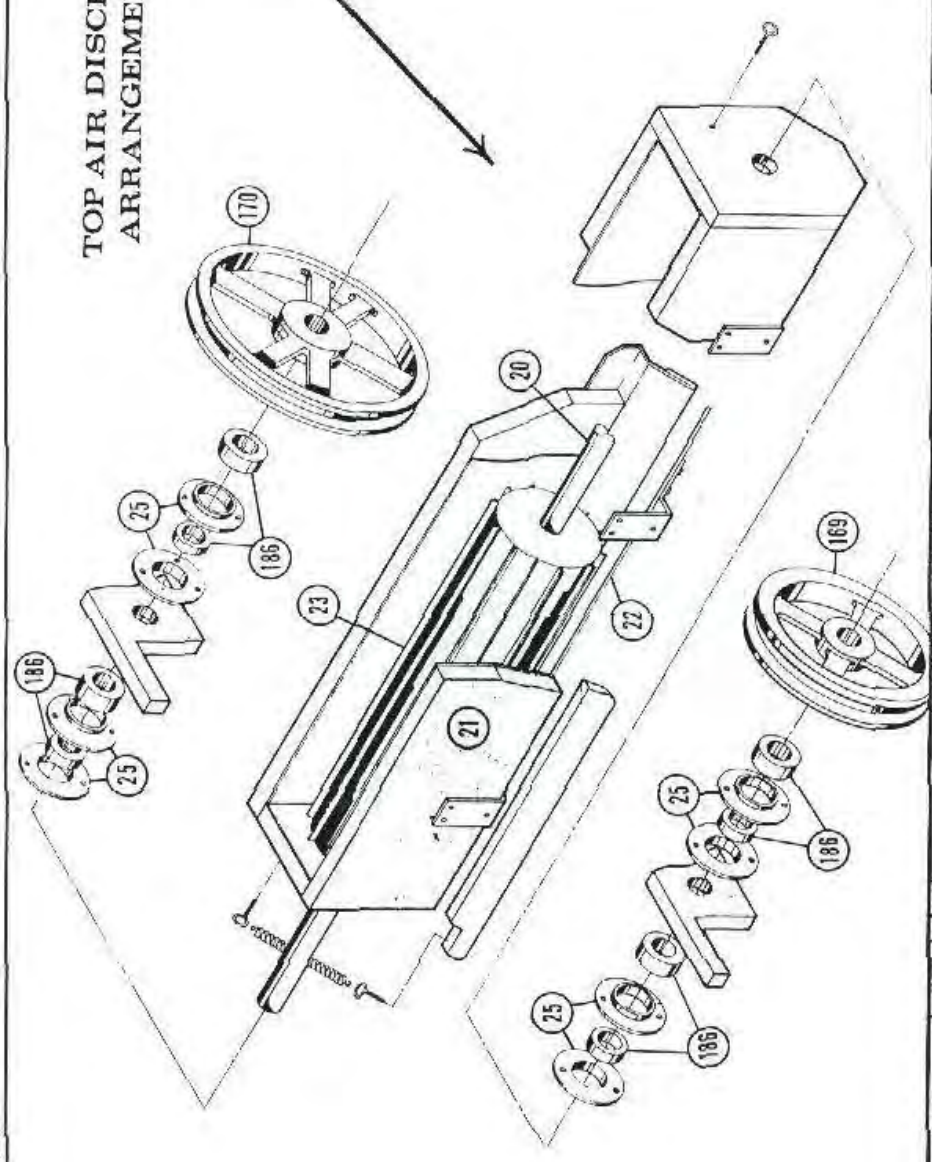


TOP FAN SHAFT ASSEMBLY

REV.	REVISION	DATE	BY	DATE	SCALE	0-28-77	DATE	DWG. NO.	FERRELL - ROSS SAGINAW, MICH.	MACH. NO.

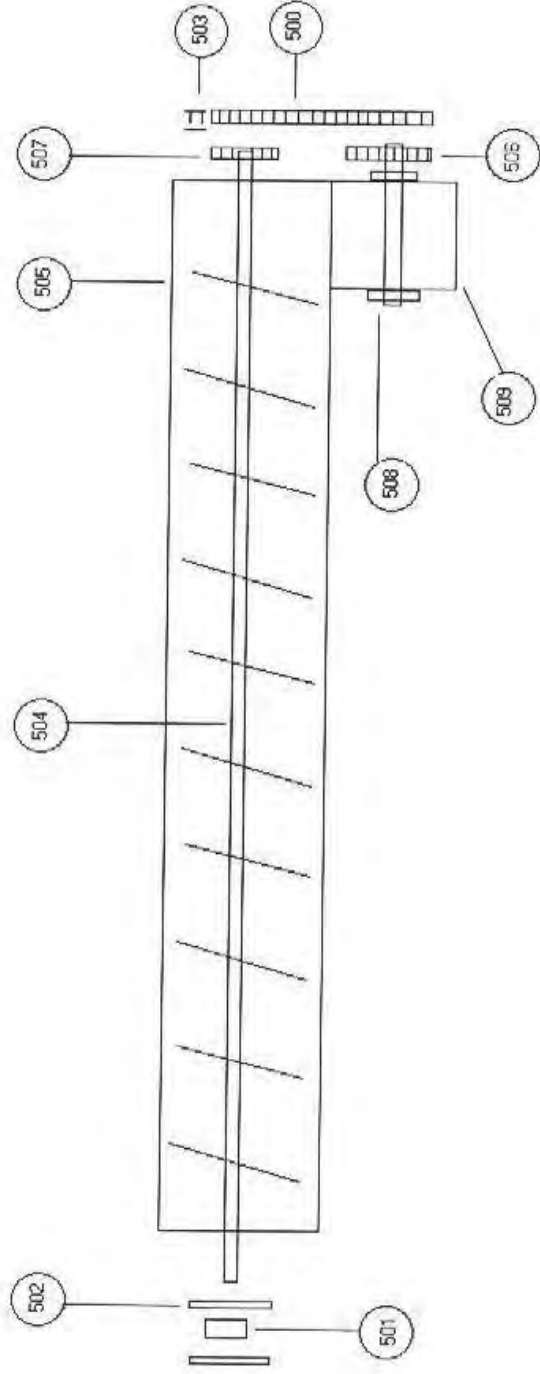
MULTI-PHASE SUPPLY - 2500 1/2" x 11 1/2"

TOP AIR DISCHARGE ARRANGEMENT

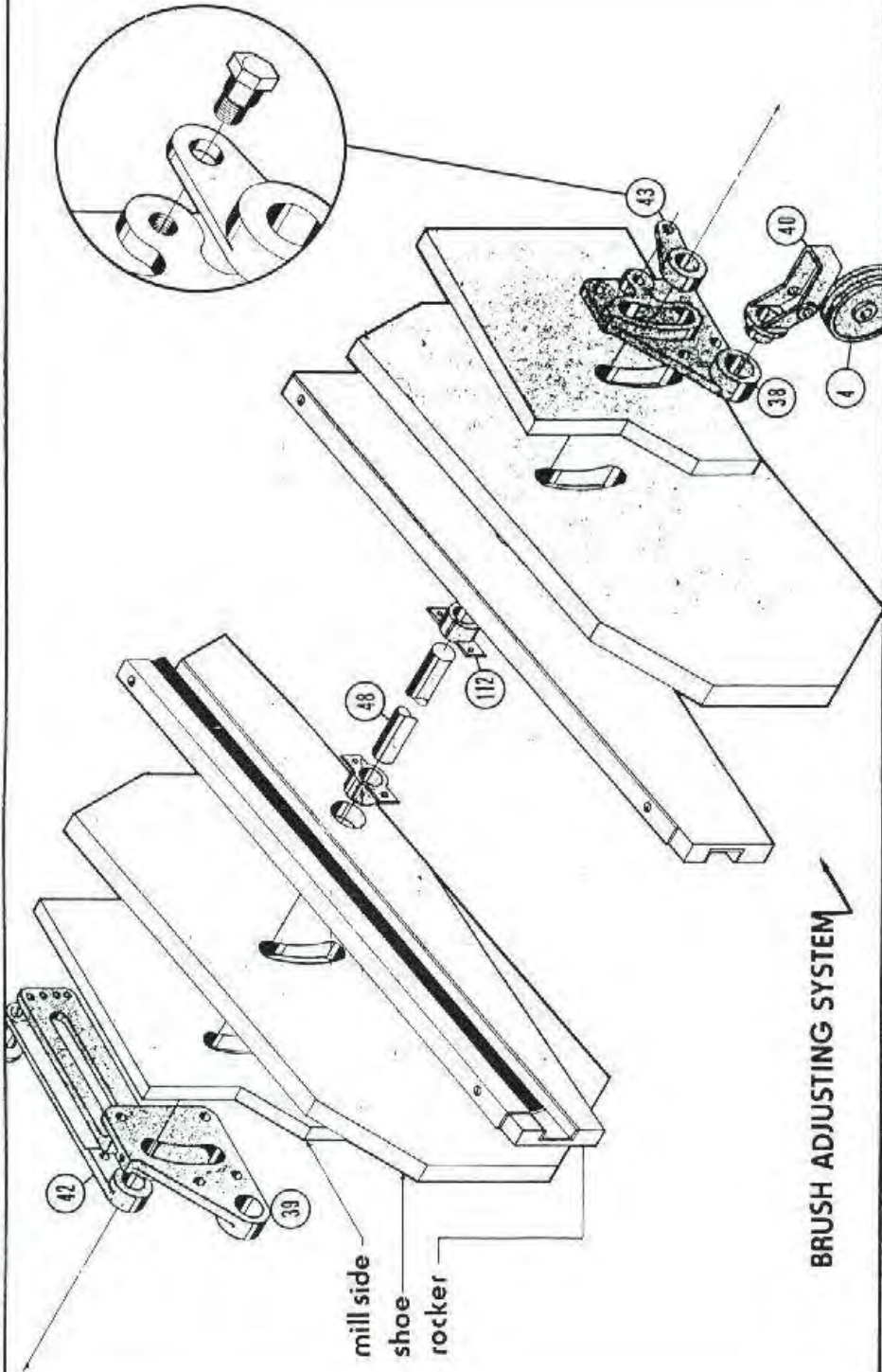


SYN.	REV.	DATE	BY	DATE	SCALE	DRAWN BY	J. B.	DATE	2-10-17	DWG. NO.		MACH. NO.	
						- top air discharge arrangement							
						FERRELL - ROSS							
						SAGINAW, MICH.							

Top Air Discharge Auger Assembly



WET-PRINT SUPPLY CO. 11/11/11



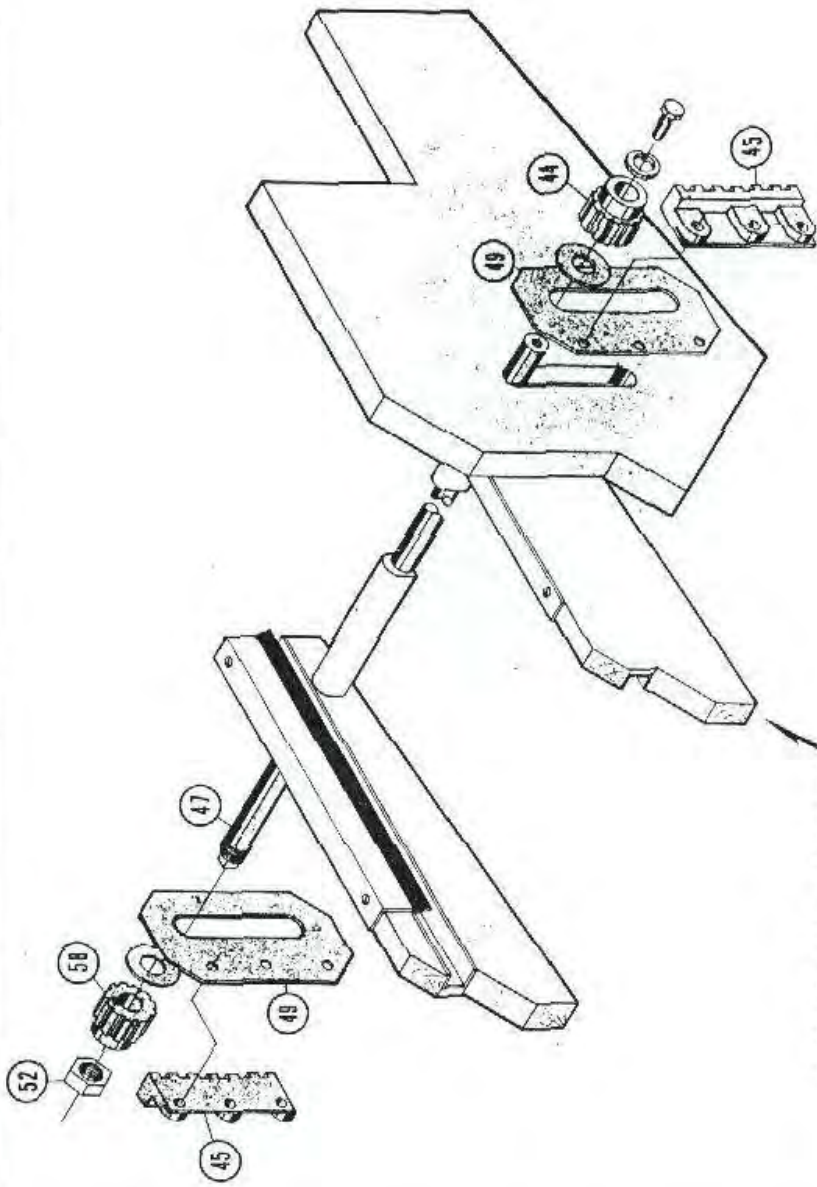
BRUSH ADJUSTING SYSTEM

REV.	DESCRIPTION	DATE	BY	DATE	BY	DATE	BY	DATE	BY

DATE: _____ SCALE: _____ DATE: _____
DWG. BY: _____

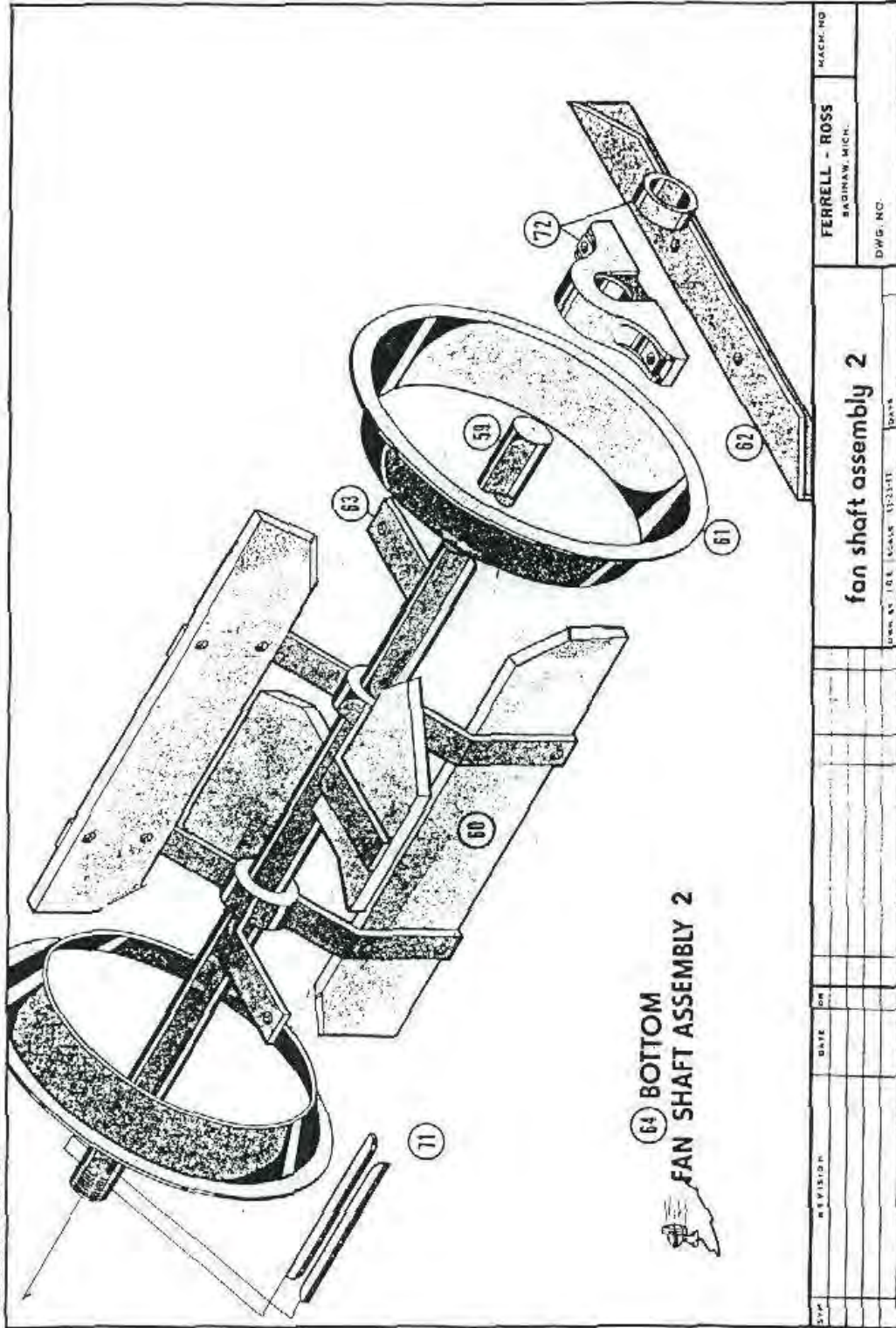
FERRELL - ROSS
BAGINAW MICH.
MACH. NO. _____
DWG. NO. _____

WALSH PRINT SUPPLY CO. IS-R-8-3124



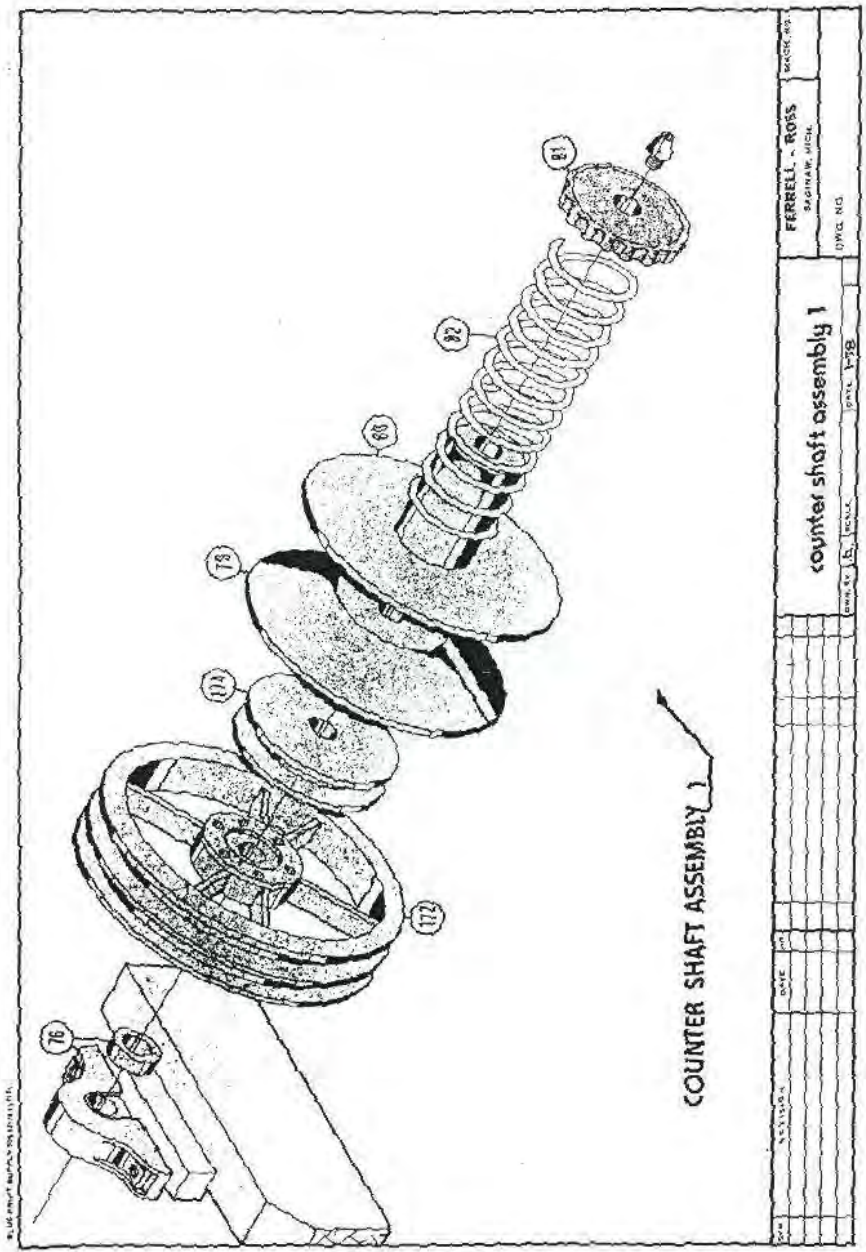
TILTING ROD ASSEMBLY

SYN.	REV.	DATE	DR.	DATE	DR.	DATE	DR.	DATE	DR.	DATE	DR.
DESCRIPTION				SCALE				DATE			
tilting rod assembly											
FERRELL - ROSS						MACH. NO.			DWG. NO.		
SAGINAW, MICH.											

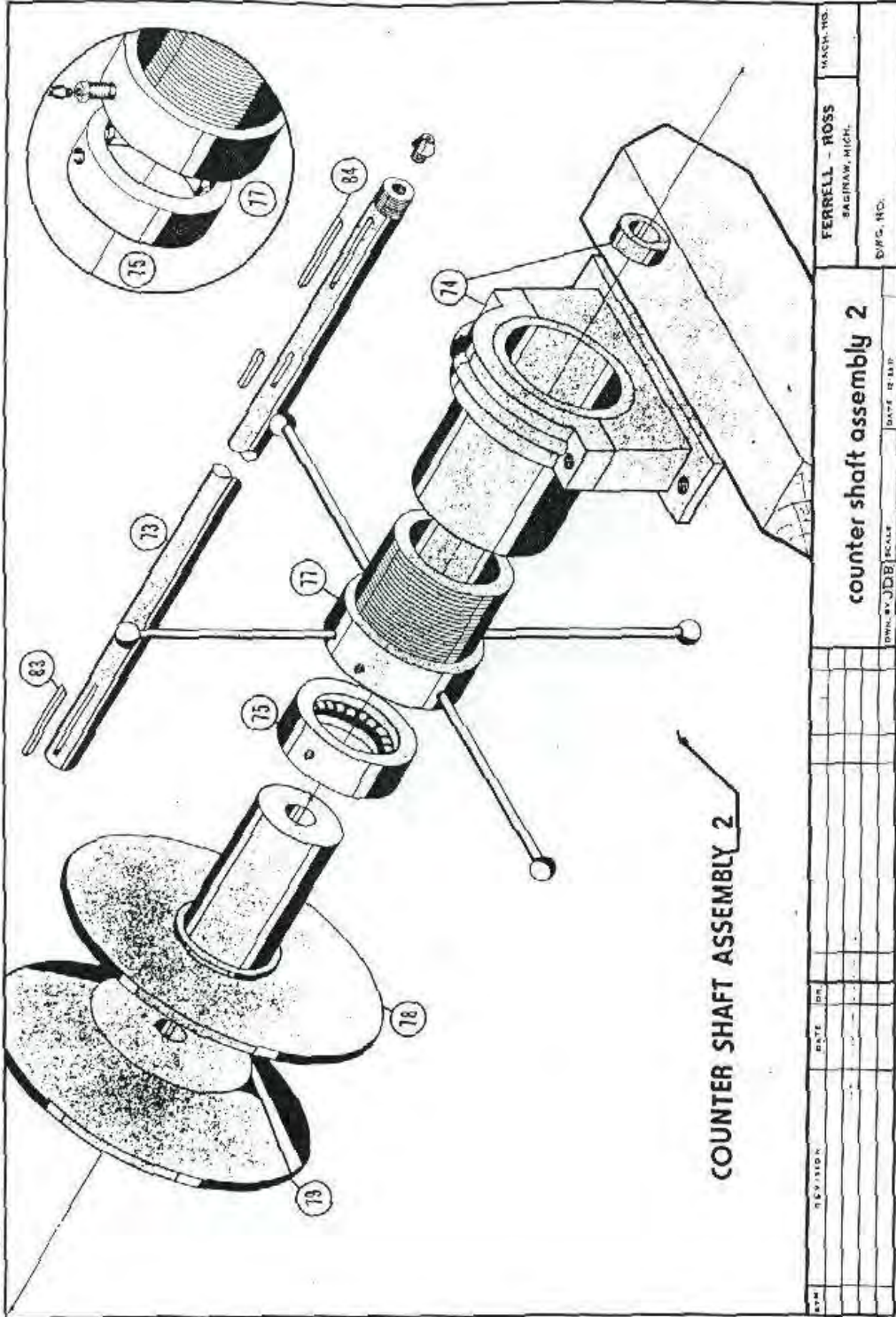


64 BOTTOM
FAN SHAFT ASSEMBLY 2

SYN		REVISION	DATE	BY	DWG. NO. 100-1-10000-132311	DATE	DWG. NO.	MACH. NO.
					FERRELL - ROSS		MICH. INCL.	
					fan shaft assembly 2		BAGINAW, MICH.	

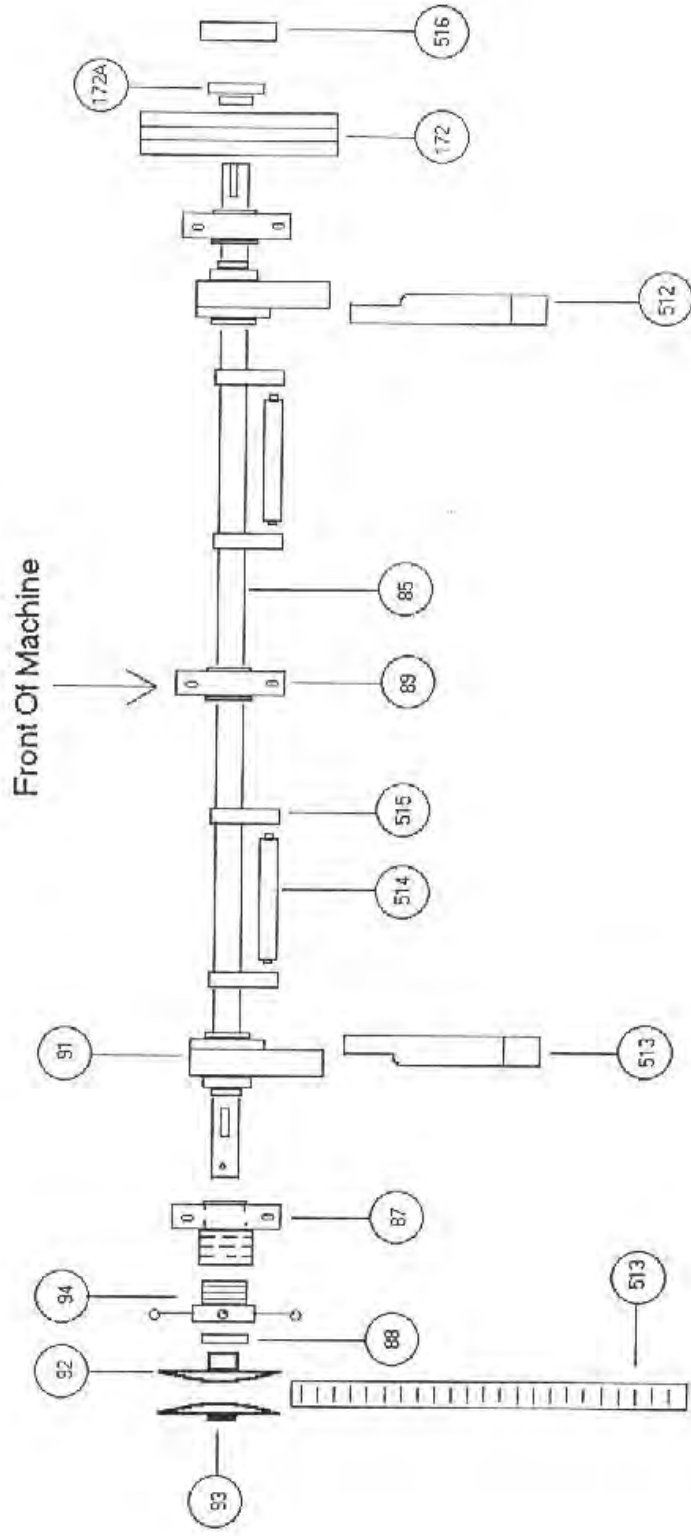


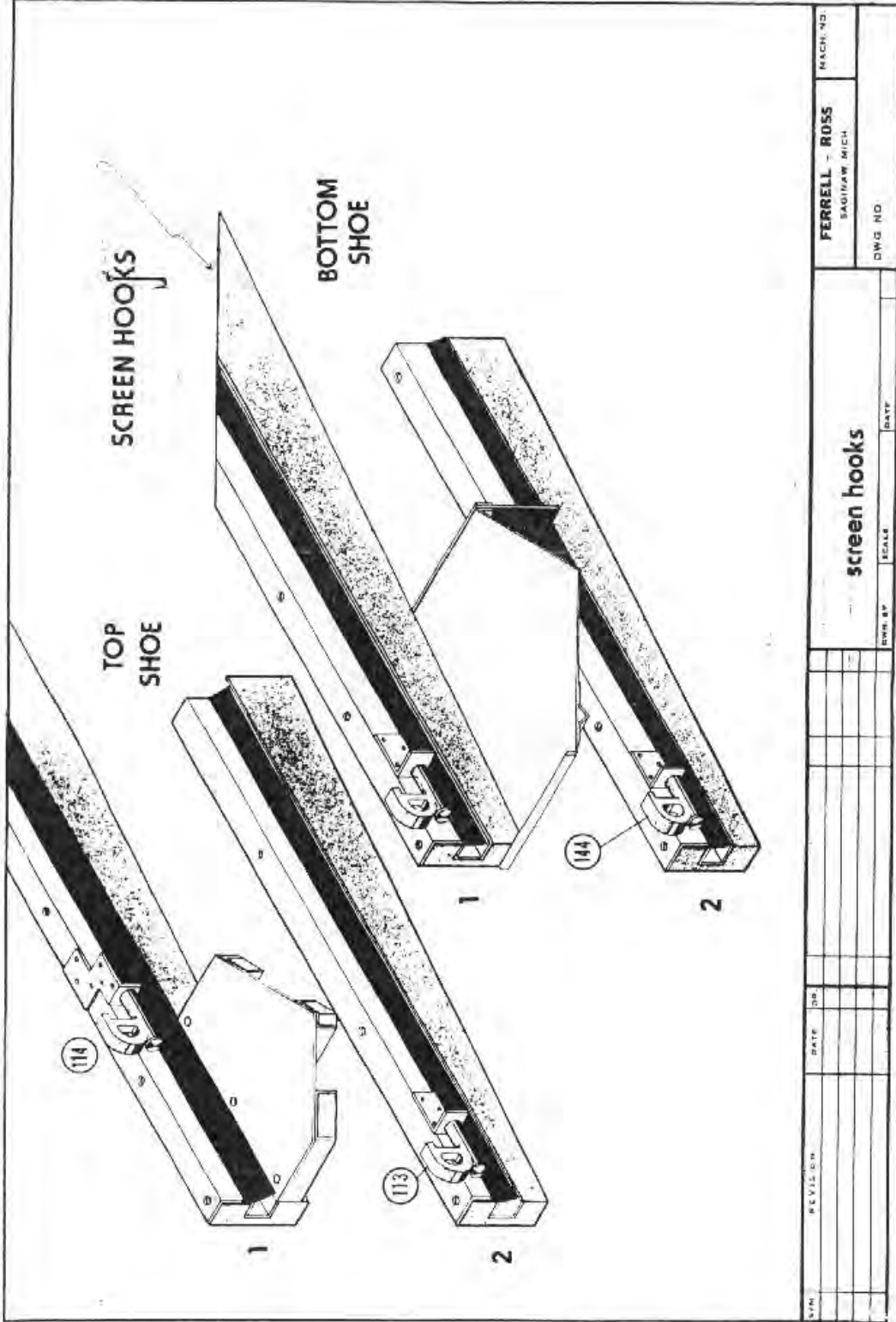
DATE		DRAWN BY		CHECKED BY		DATE		DWG. NO.	
counter shaft assembly 1									
FERRELL - ROSS									
SAGINAW, MICH.									
DWG. NO.									



COUNTER SHAFT ASSEMBLY 2

Eccentric Shaft For 60 Series

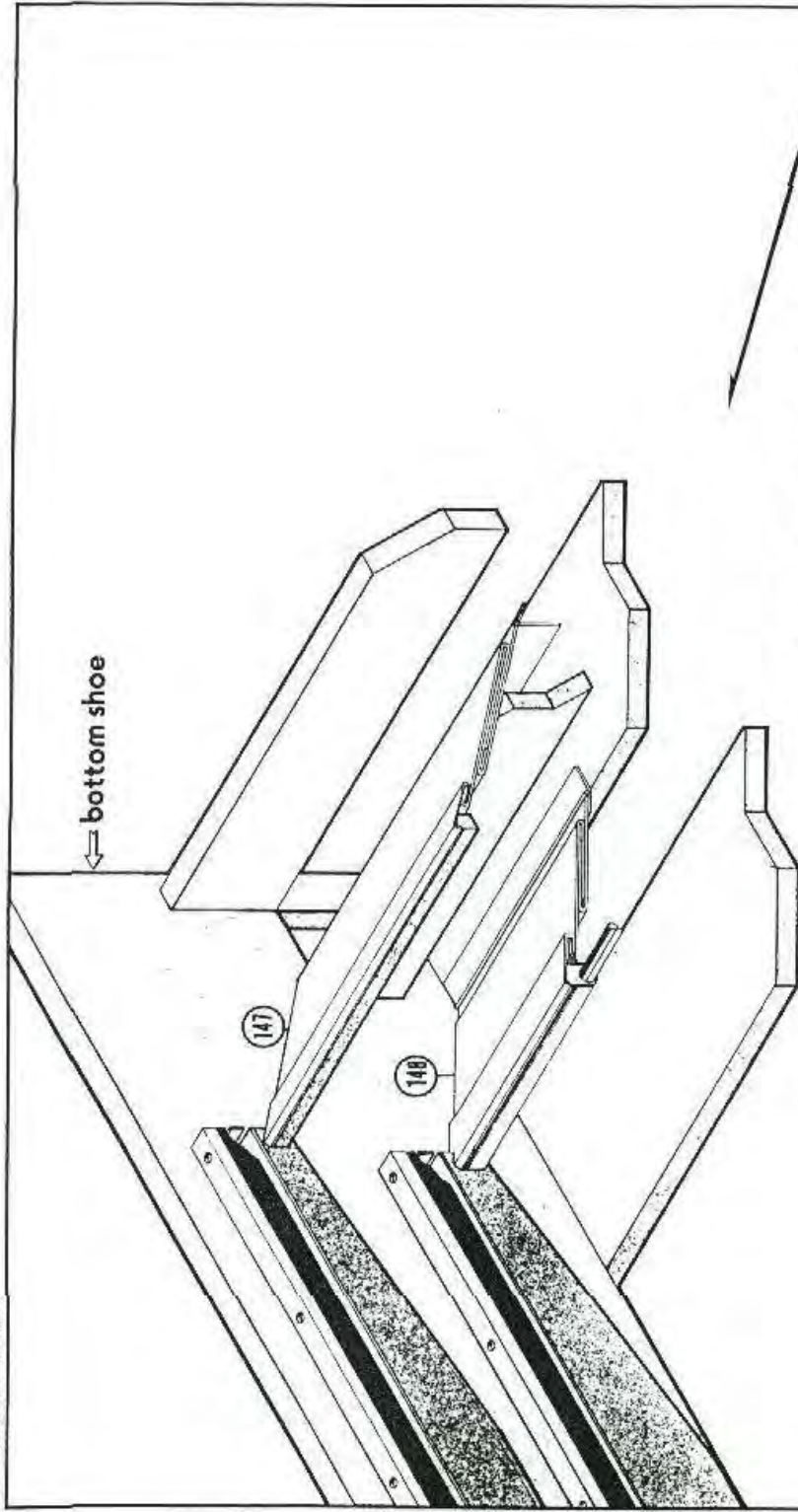




REPL. IN. AN. 10/12/1930/10/12/1930

REV.	DATE	BY	CHK.	DATE	BY	CHK.	SCALE	DATE	DWG. NO.	MACH. NO.

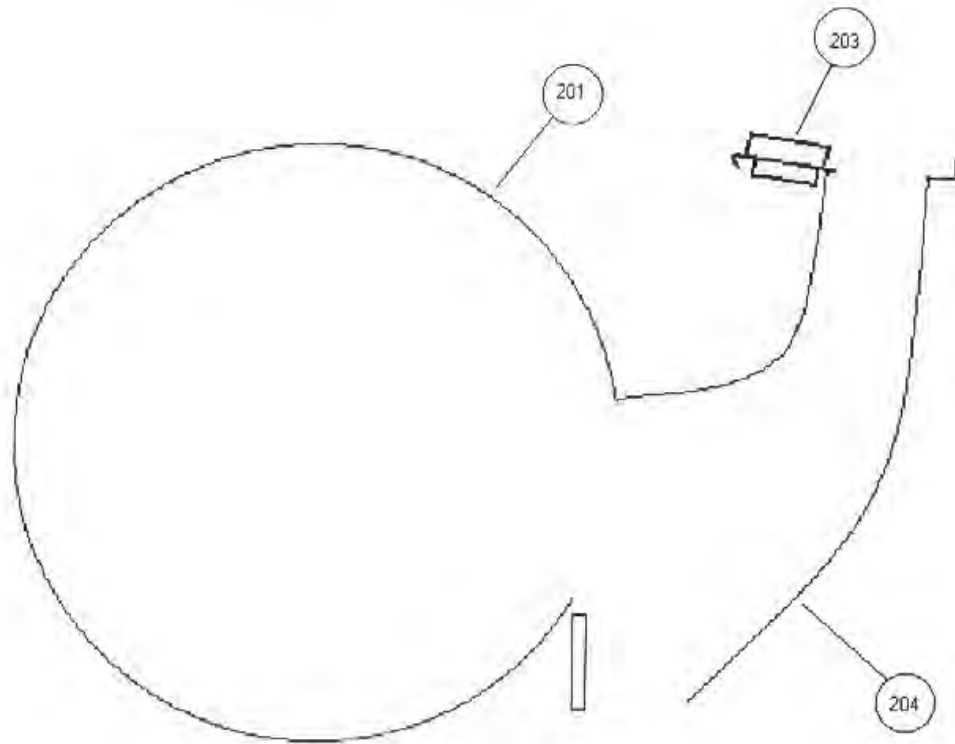
BLUE PRINT SUPPLY COMPANY, INC.

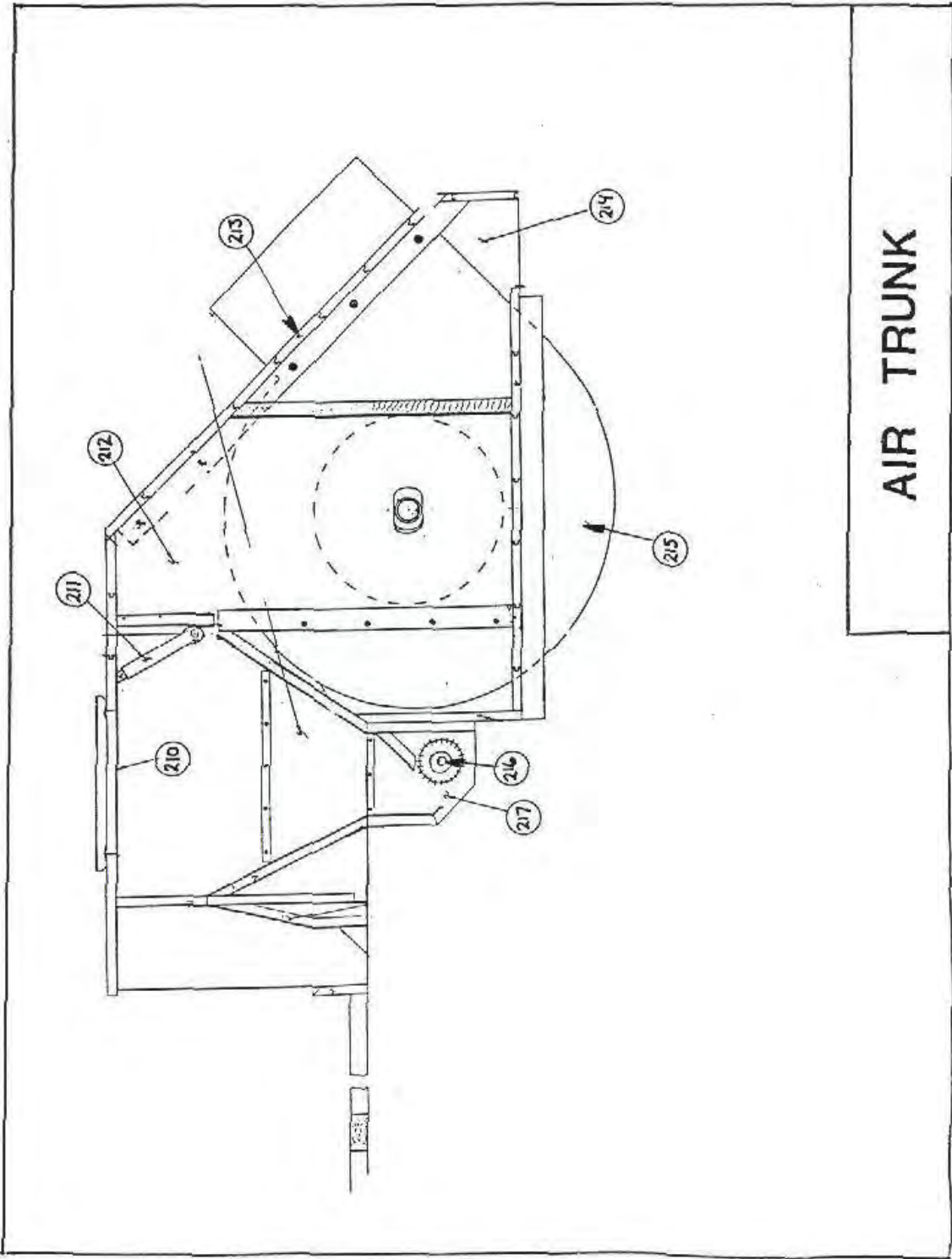


ARRANGEMENT FOR TELESCOPIC APRONS

SYM	REVISION	DATE	BY	SCALE	DATE	FERRELL - ROSS		MECH. NO
						SAGINAW, MICH		
DRAWN BY						DWG. NO		
TITLE						arrangement for telescopic aprons,		

Bottom Fan Metal

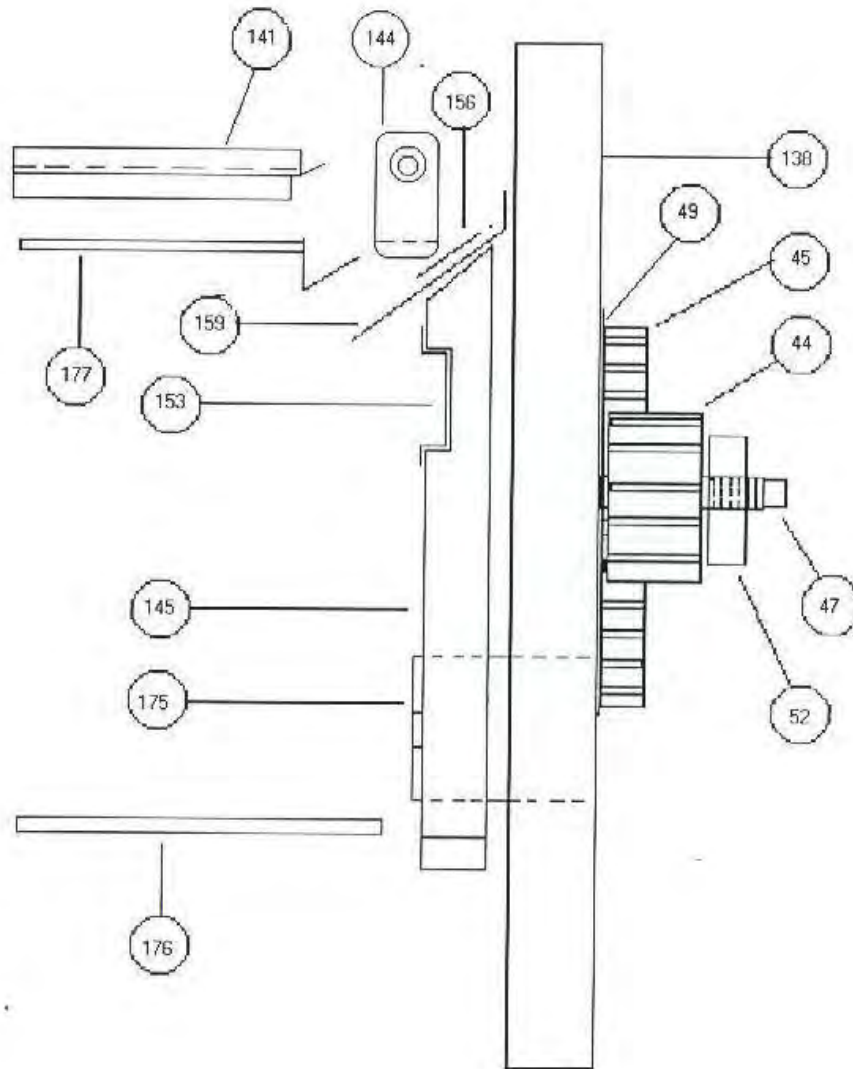


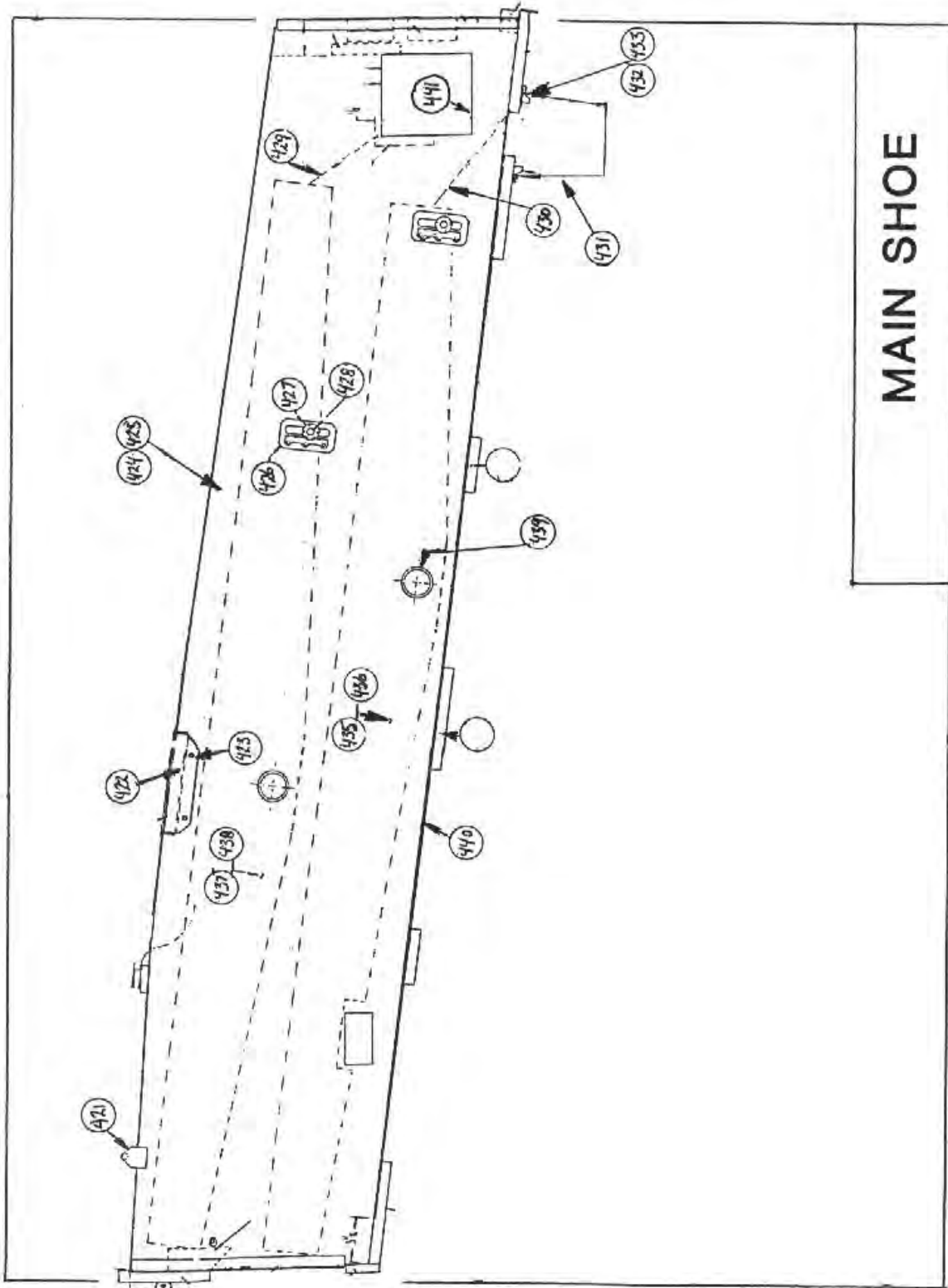


AIR TRUNK

Rocker Assembly View

Brush Style





MAIN SHOE

Scalper Shoe Assembly View

Brush Style

