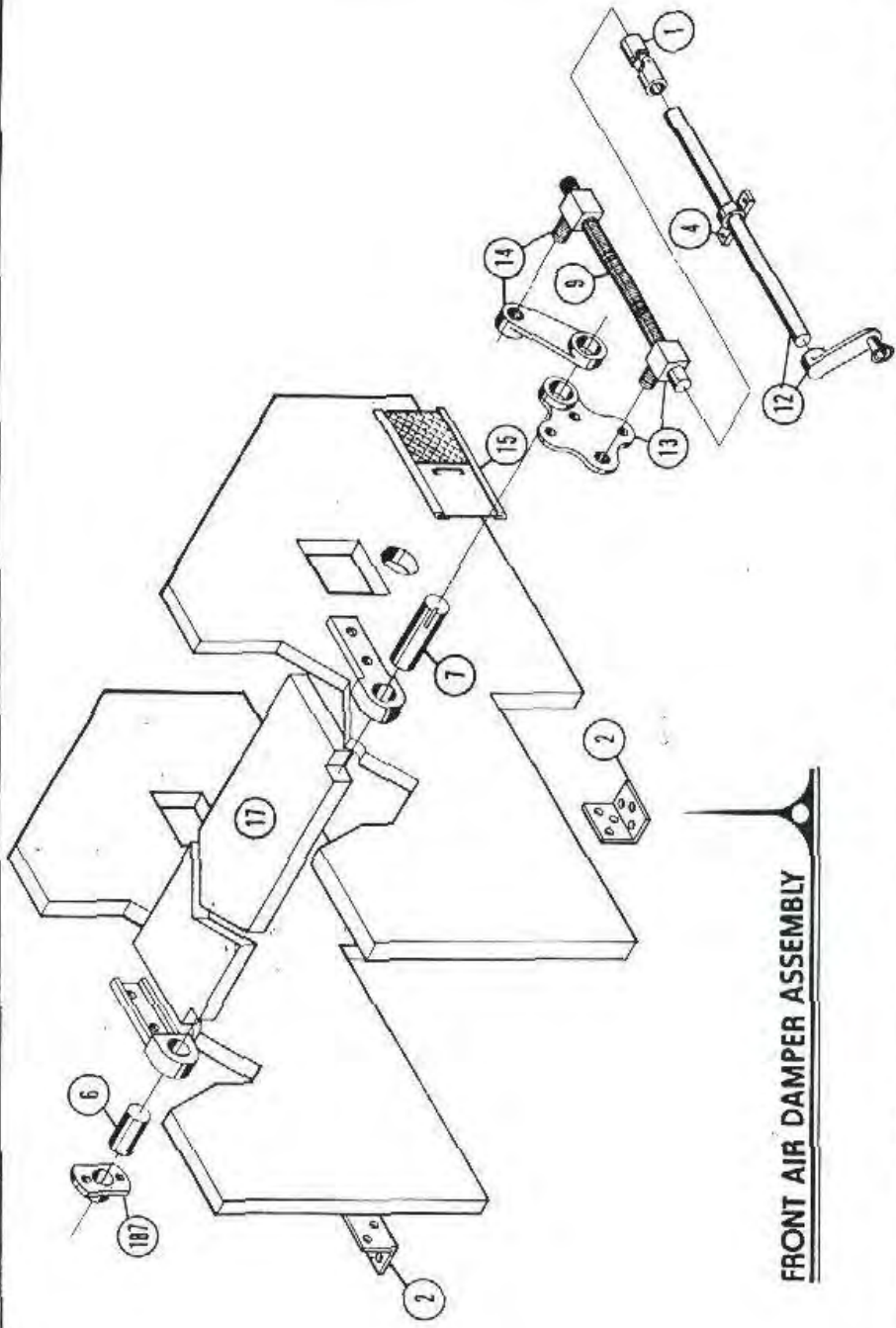


BLUE PRINT SUPPLY & JOB CO. INC.

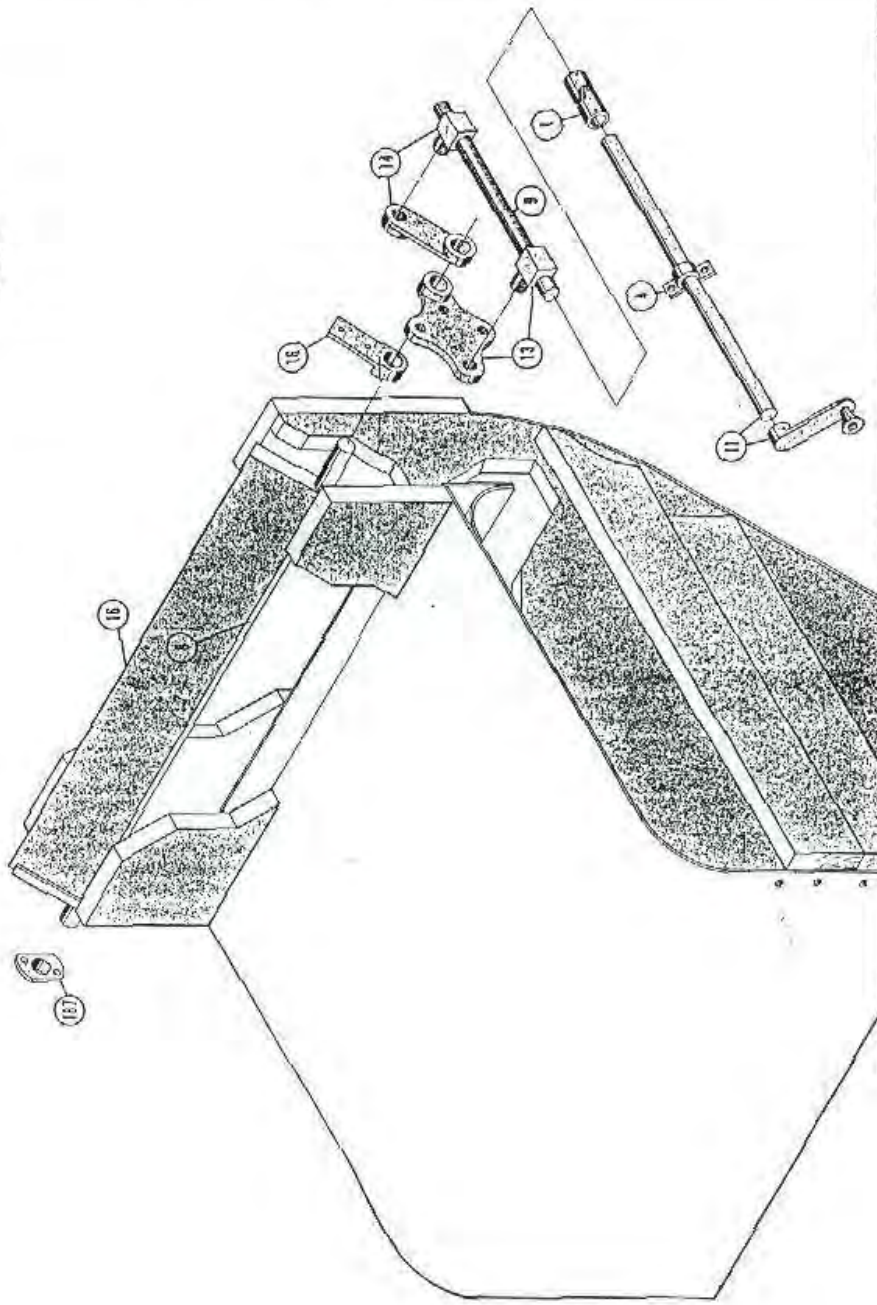


FRONT AIR DAMPER ASSEMBLY

SYM		REVISION	DATE	ON	DATE	SCALE	DATE
front air damper assembly							
FERRELL - ROSS				MACH. NO.			
SAGINAW, MICH.				DWG. NO.			

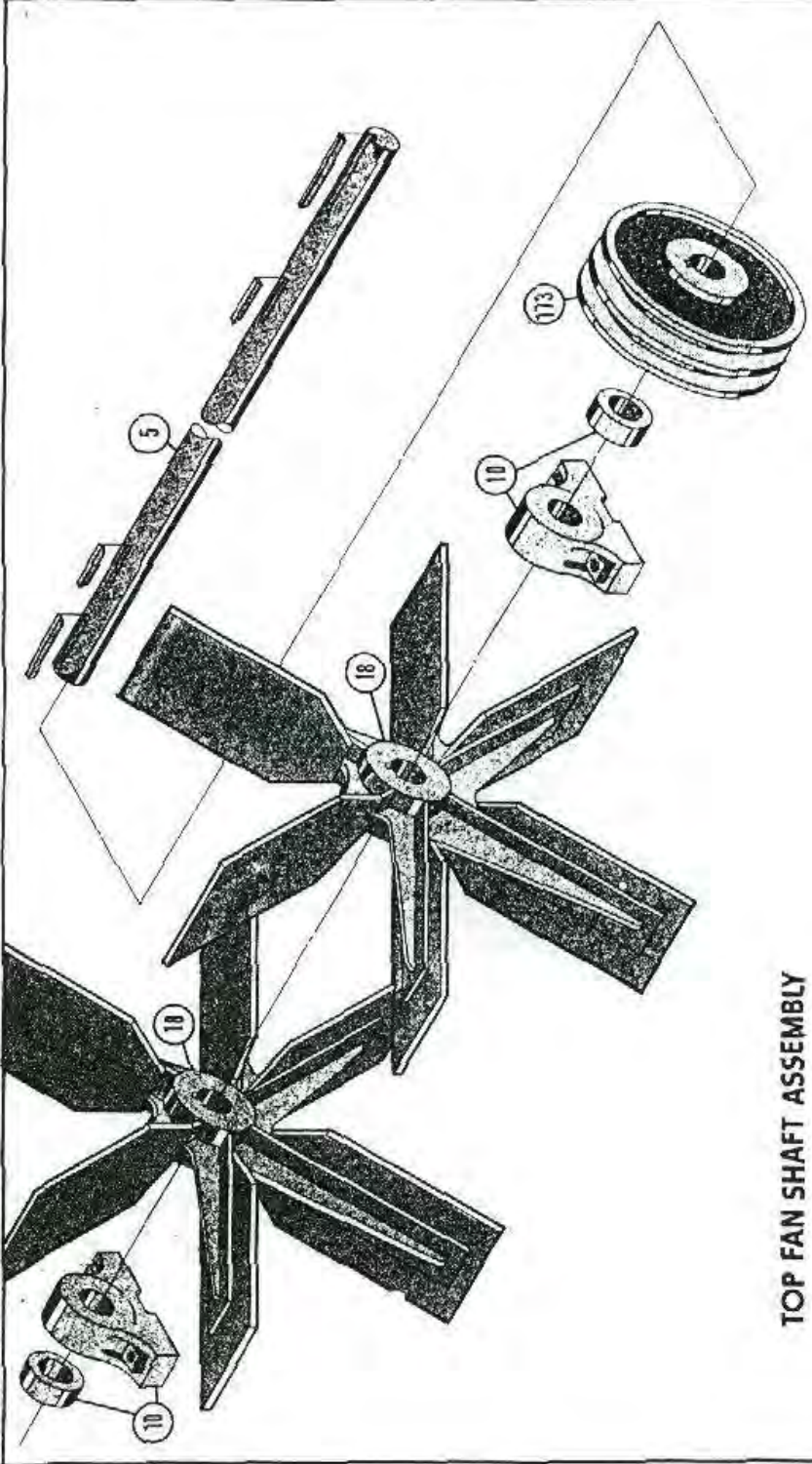


BACK AIR DAMPER : TOP FAN SECTION



DATE		DESIGNED BY	DRAWN BY	CHECKED BY	APPROVED BY
back air damper					
PENNELL - ROSS ENGINEERS, INC. BUREAU NO.			WASH. D.C. DWG. NO.		

SCALE PRINT SUPPLY CO. INC. 1974

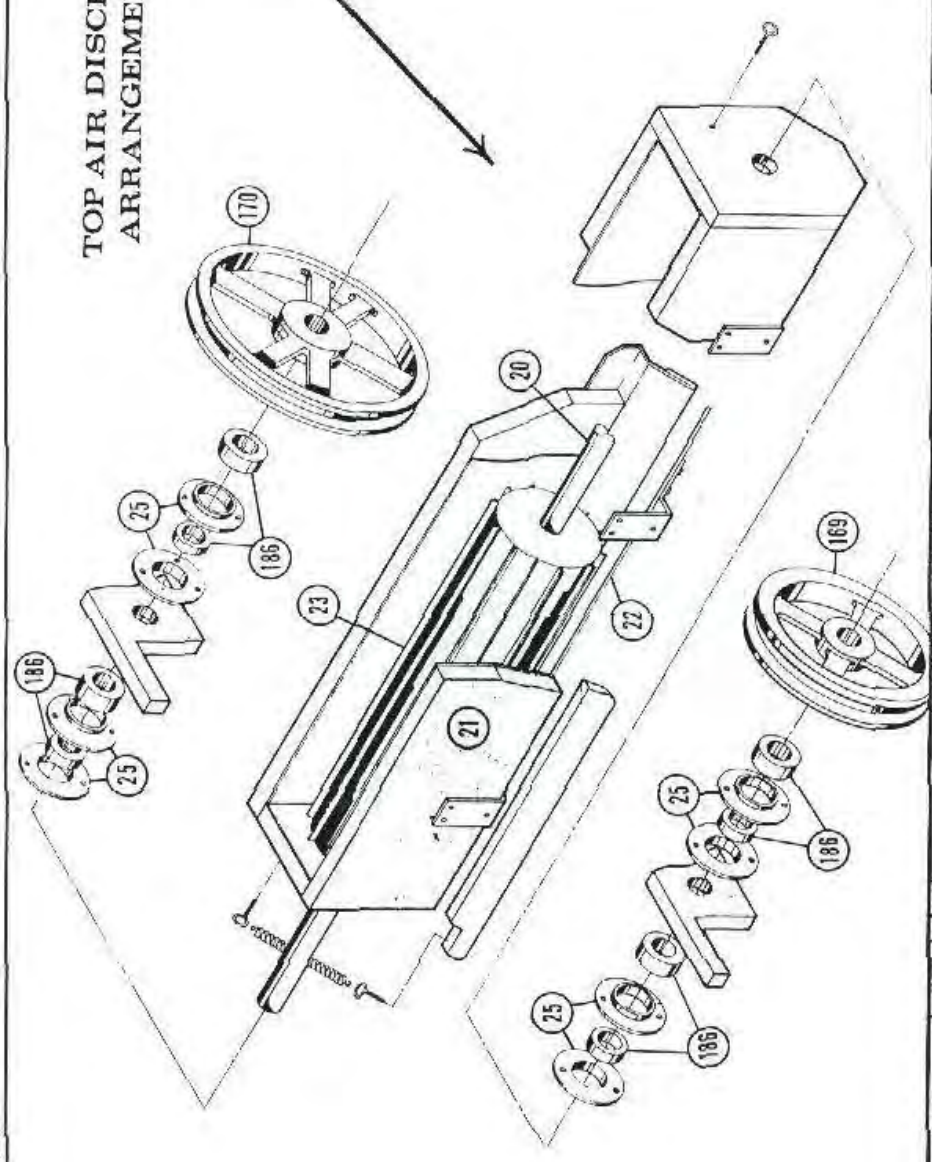


TOP FAN SHAFT ASSEMBLY

REV.	REVISION	DATE	BY	DATE	SCALE	0-28-77	DATE	DWG. NO.	1	FERRILL - ROSS SAGINAW, MICH.	MACH. NO.

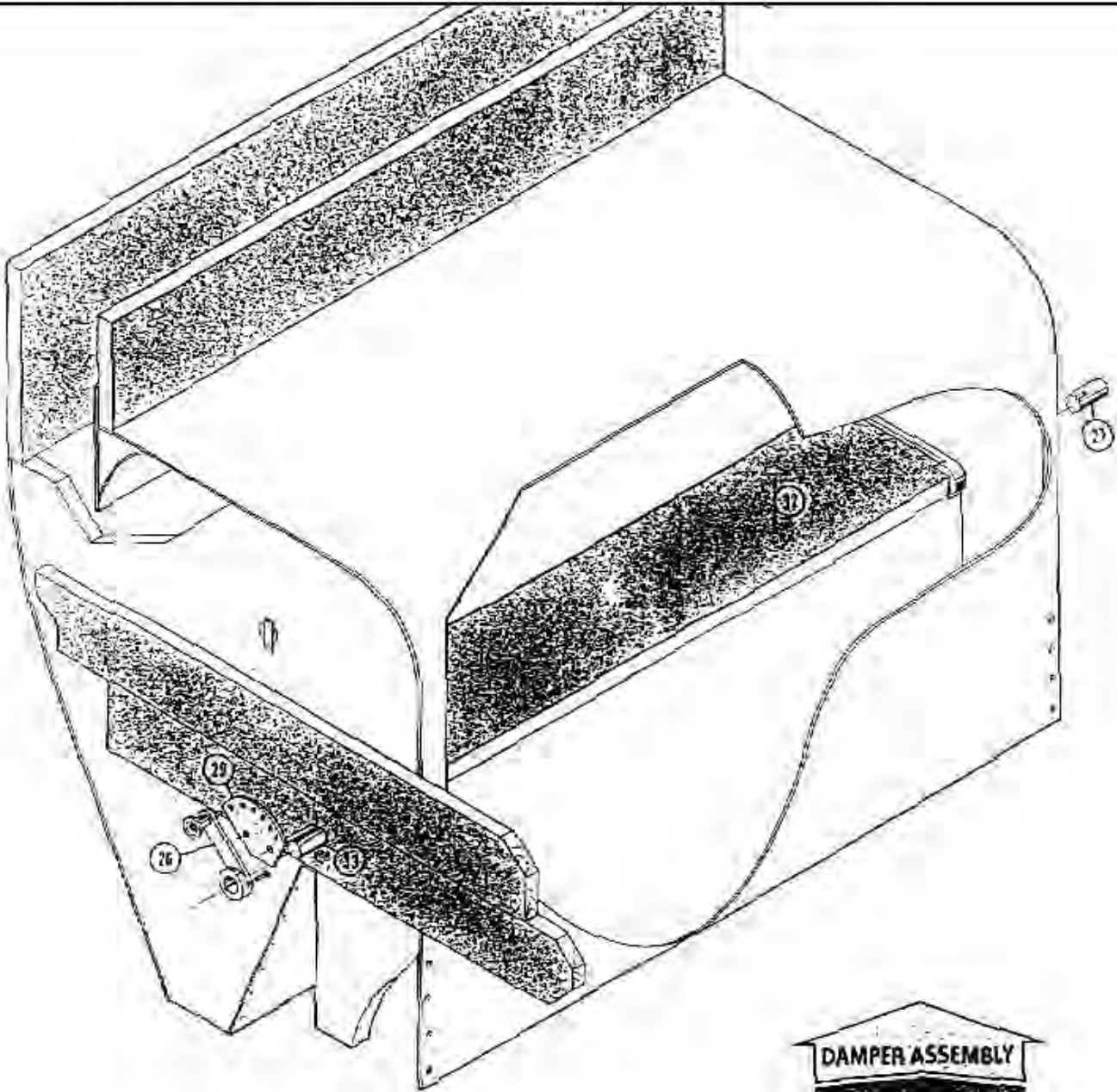
MULTI-PHASE SUPPLY - 2500 1/2" x 11 1/2"

TOP AIR DISCHARGE ARRANGEMENT



SYN.	REV.	DATE	BY	DATE	SCALE	DRAWN BY	J. B.	DATE	2-10-17	DWG. NO.		MACH. NO.	
						- top air discharge arrangement							
						FERRELL - ROSS							
						SAGINAW, MICH.							

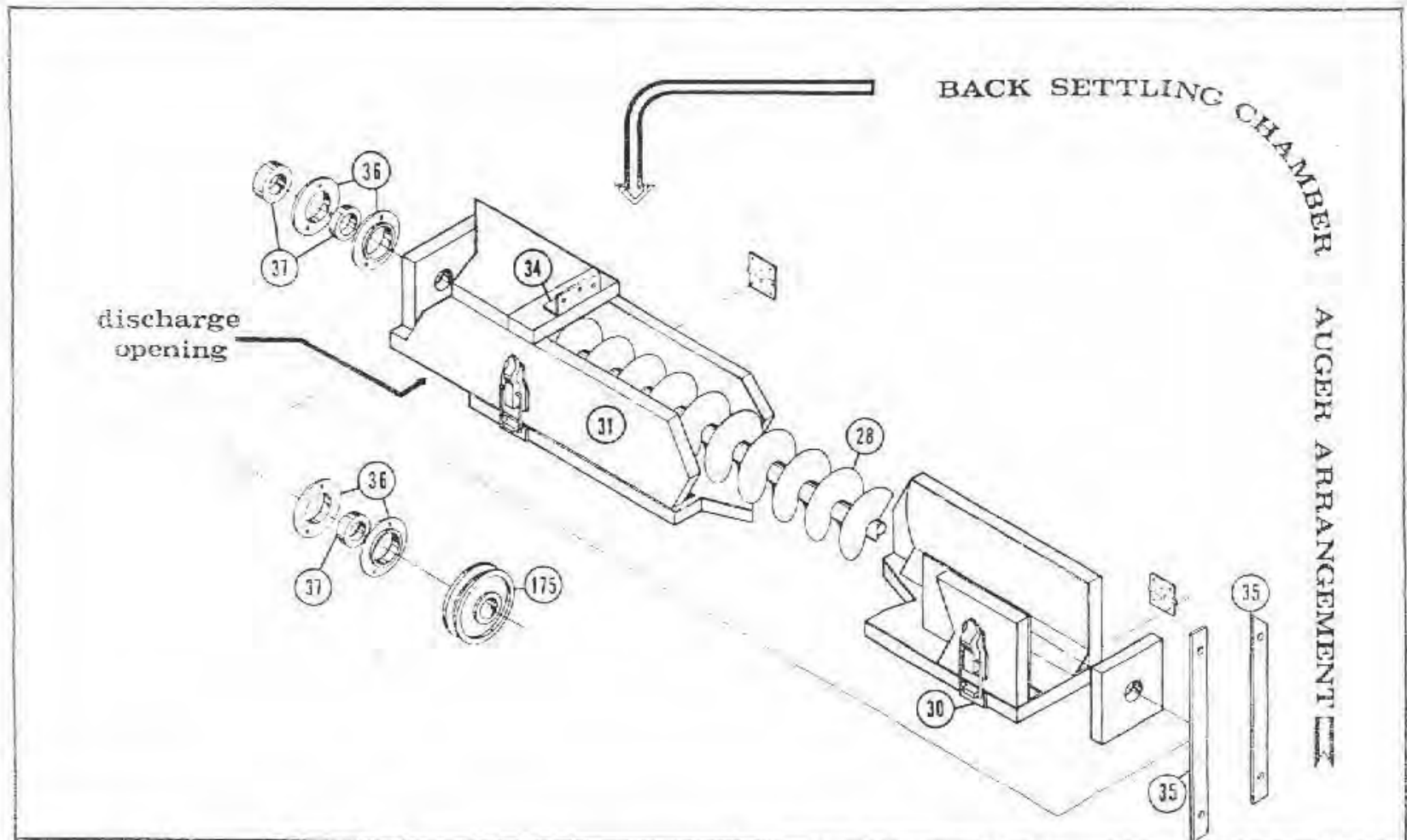
5



DAMPER ASSEMBLY

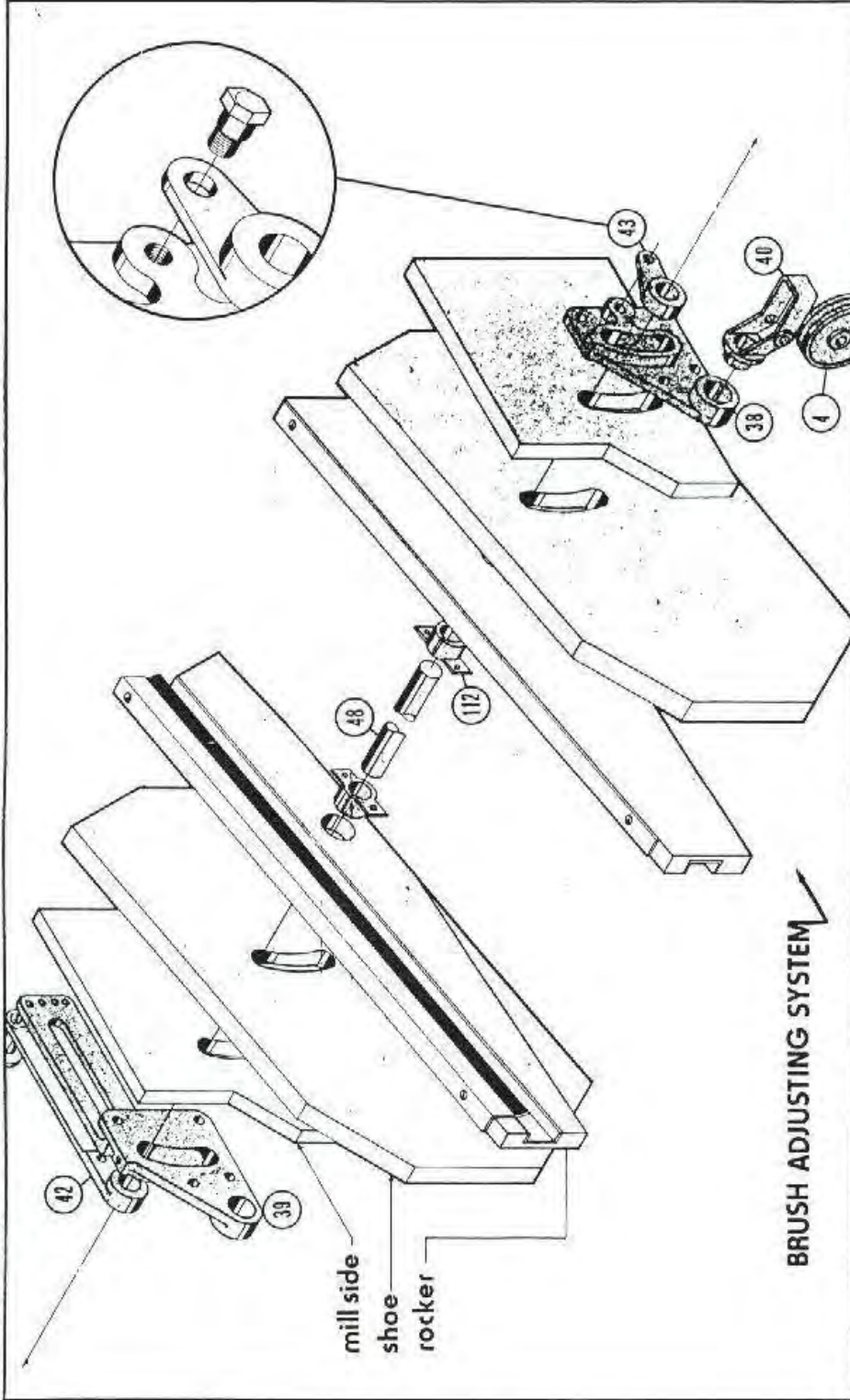
REV	DATE	BY	CHKD	APP'D	DESCRIPTION	FERRELL - ROSS	WORK NO.
					dampor assembly	WATER WHEEL	
						DWR NO.	

6



REV	REVISION	DATE	BY	CHKD	APP'D	back settling chamber auger arrangement	FERRELL - ROSS SAGINAW MICH.	DWG NO.	MACH NO.
						OWN BY JDS	SCALE	DATE 12-28-72	

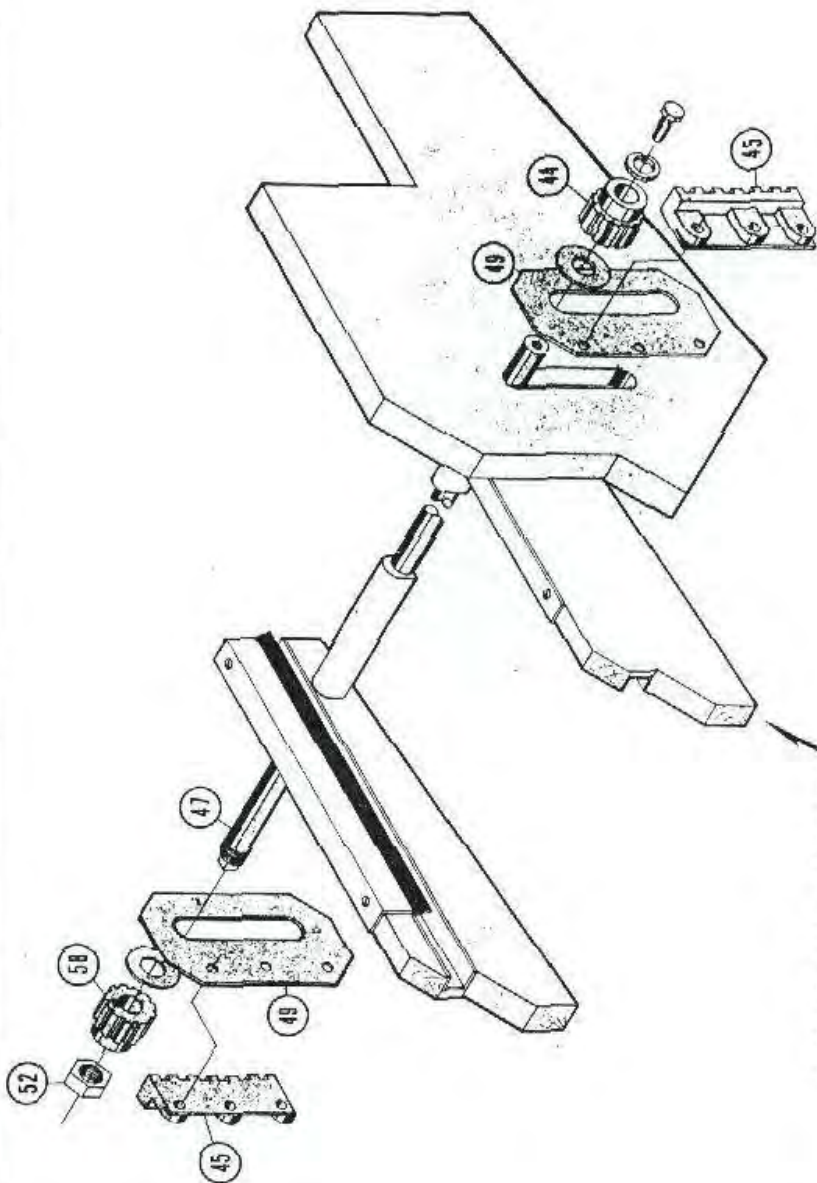
WET-PRINT SUPPLY CO. U.S.A.



BRUSH ADJUSTING SYSTEM

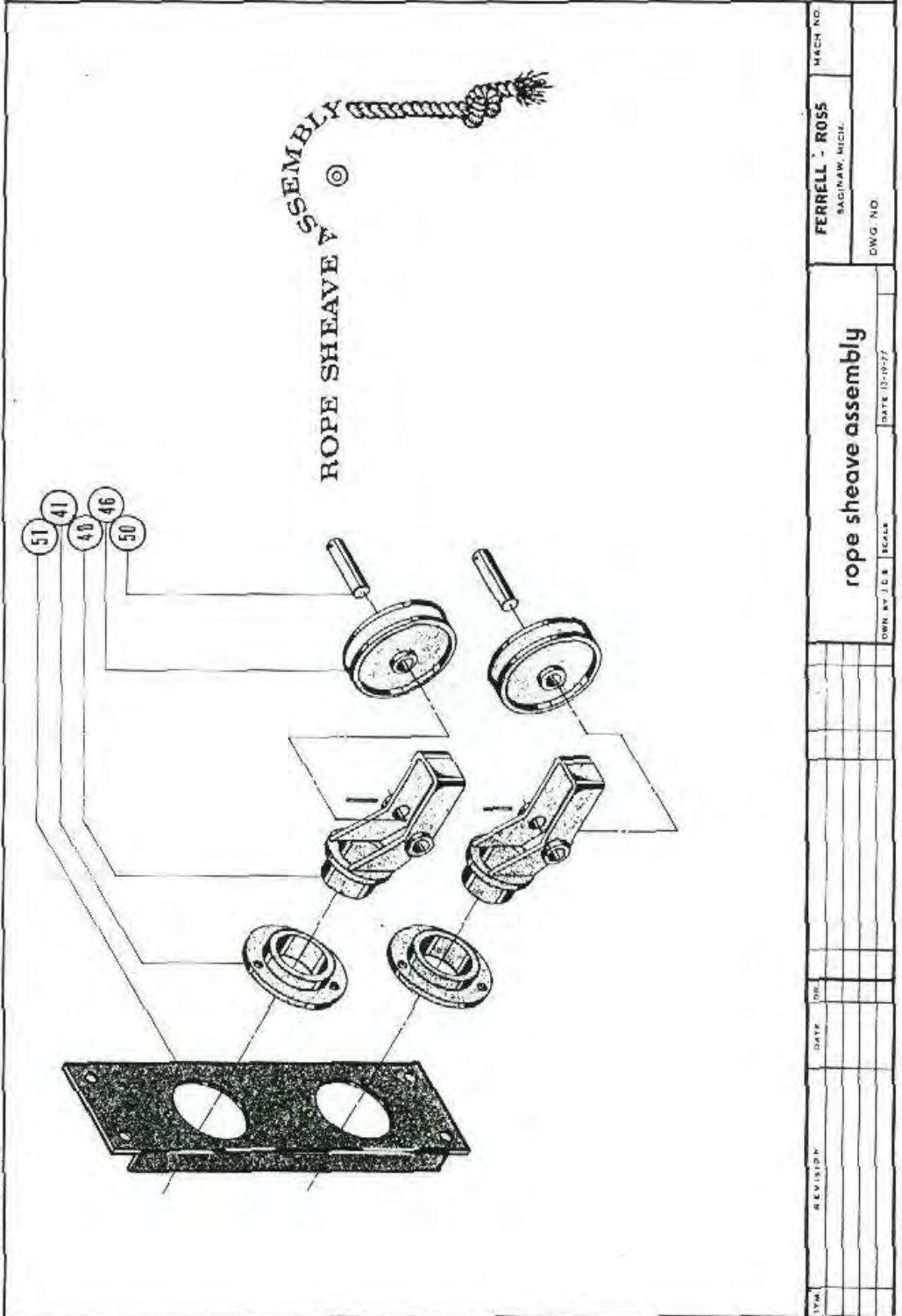
SYM.	REV.	DATE	BY	DATE	BY	DATE	BY	DATE	BY	DATE	BY
W. & V. NICKSON					SCALE			DATE			
FERRELL - ROSS					brush adjusting system			DWG. NO.			
BAGINAW MICH.								MACH. NO.			

WALSH PRINT SUPPLY CO. IS. RB. 8. 3124



TILTING ROD ASSEMBLY

SYN.	REV.	DATE	BY	DATE	DRAWN BY	SCALE	DATE
tilting rod assembly							
FERRELL - ROSS SAGINAW, MICH.				MACH. NO.			
DWG. NO.							

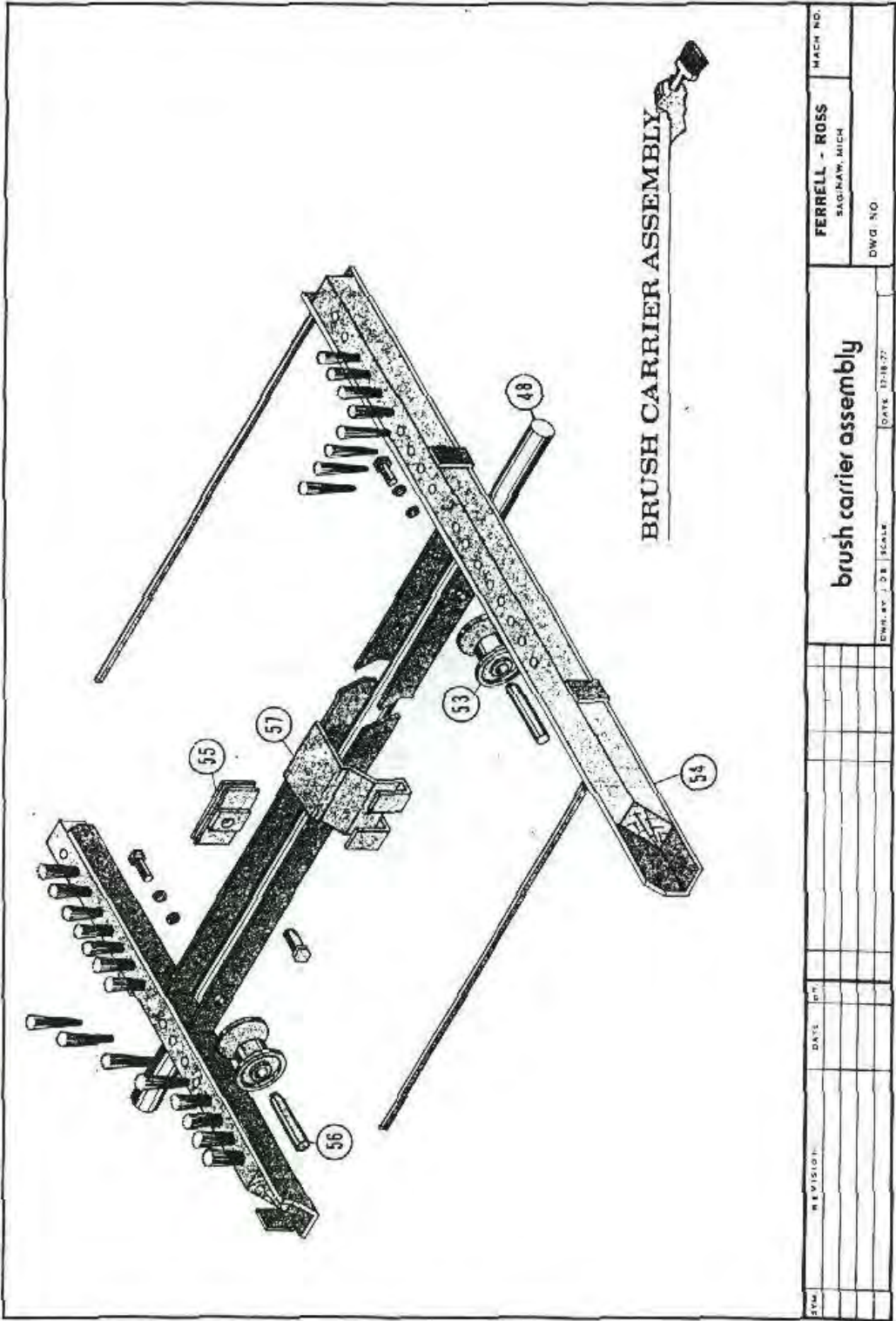


BLUE PRINT & SUPPLY CO. (248) ST. L.

ROPE SHEAVE ASSEMBLY

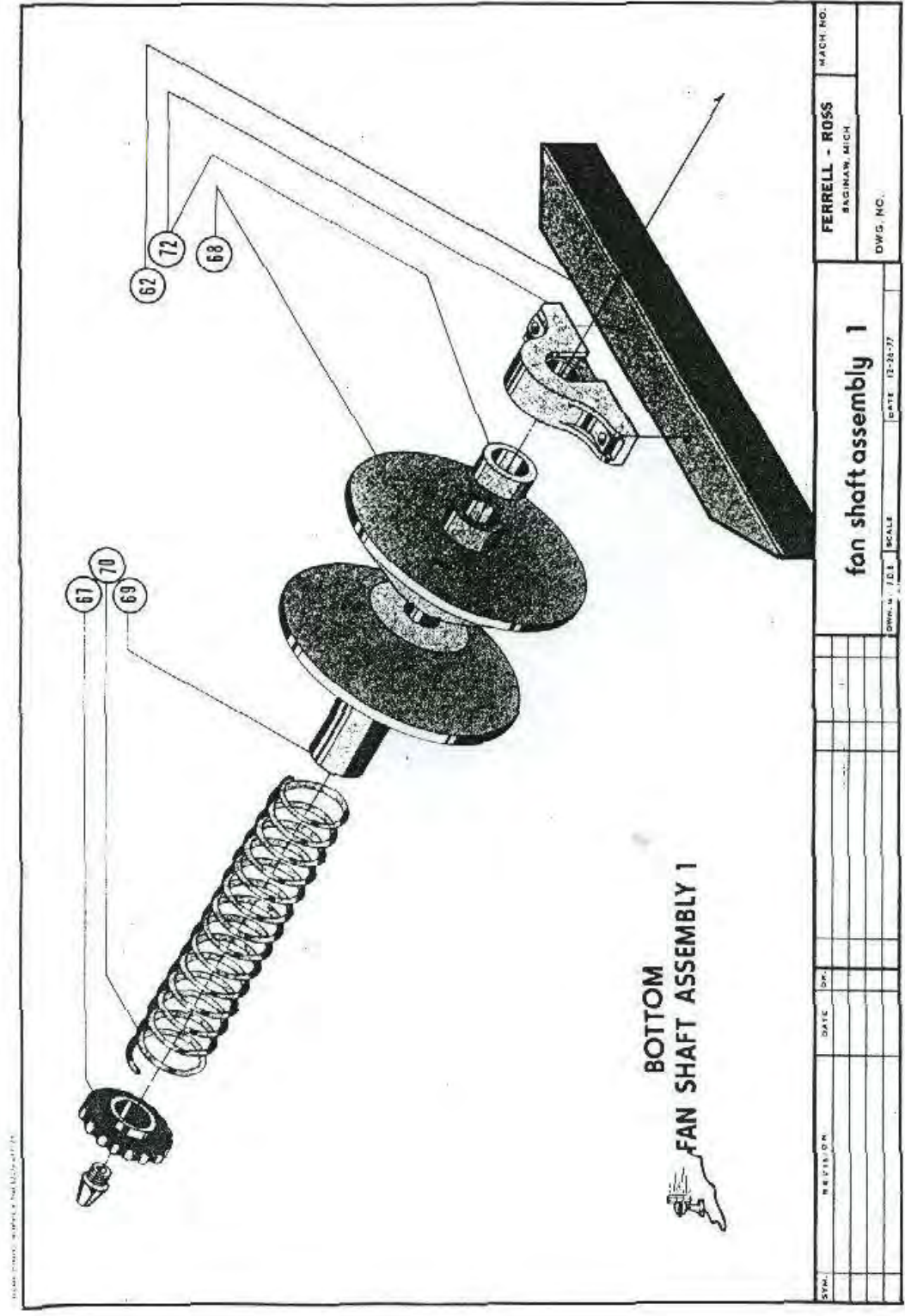
NO.	REV. NO.	DATE	BY	CHK.	SCALE	DATE	DWG. NO.	MACH. NO.
rope sheave assembly								
							FERRELL - ROSS	
							SAGINAW, MICH.	

ALL RIGHTS RESERVED BY THE COMPANY



BRUSH CARRIER ASSEMBLY

REV.	DESCRIPTION	DATE	BY	CHECKED	DWG NO. 31 SCALE		DATE 11/18/77
					DWG NO.		DWG NO.
					FERRELL - ROSS		MACH NO.
					SAGINAW, MICH		

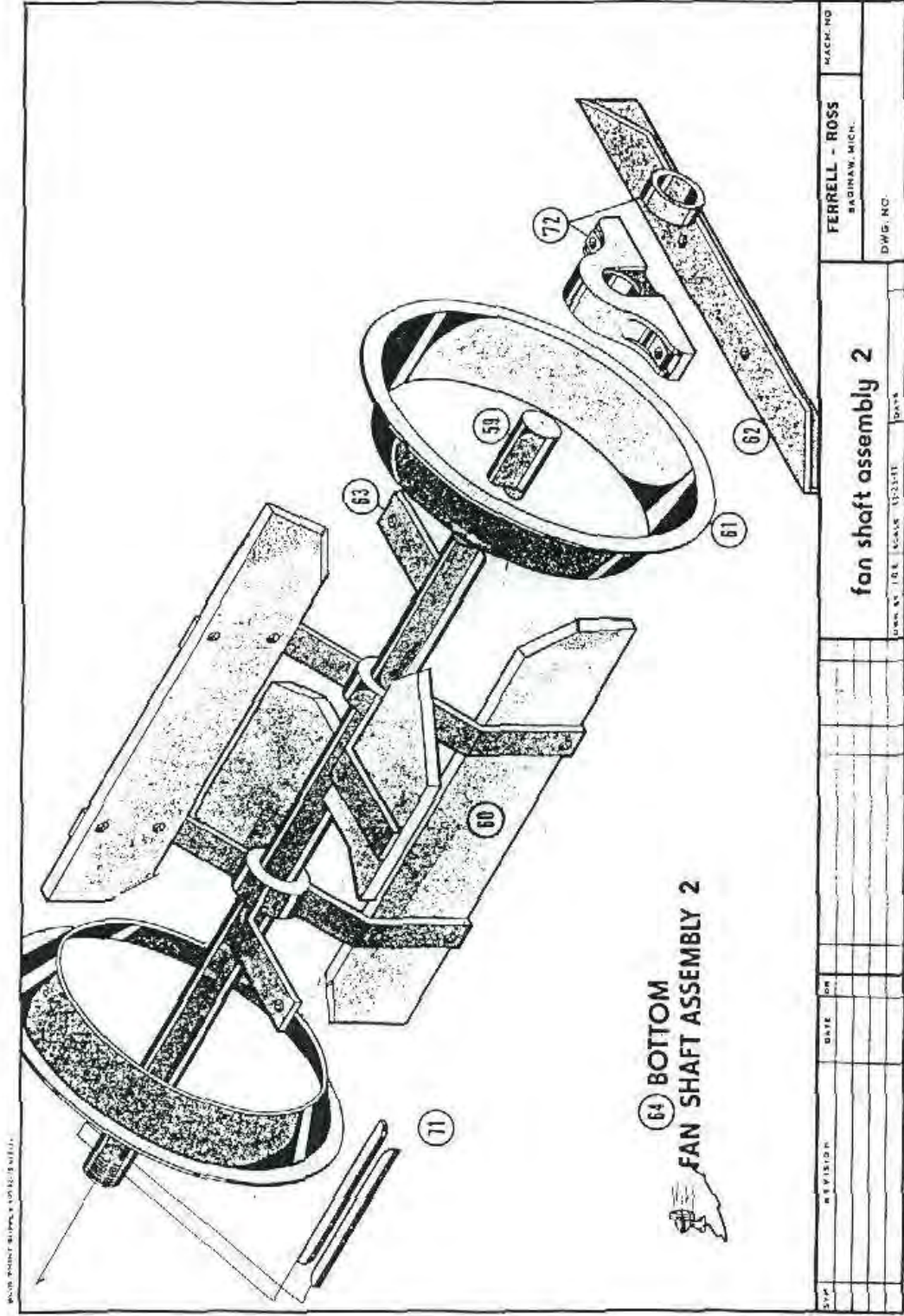


**BOTTOM
FAN SHAFT ASSEMBLY 1**

SYMBOL	DESCRIPTION	DATE	BY	SCALE	DATE	BY

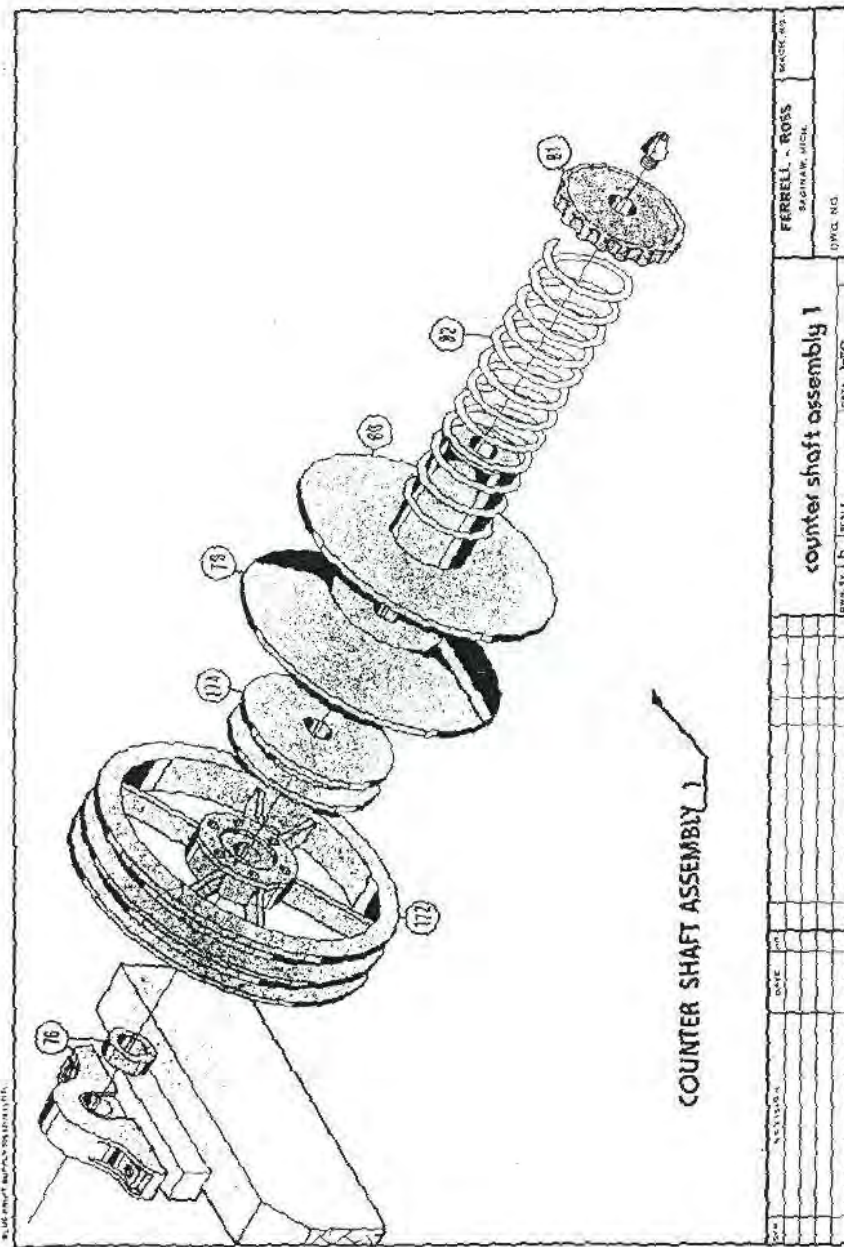
FERRELL - ROSS
SAGINAW, MICH.
DWS, INC.

fan shaft assembly 1
DATE - 12-20-77



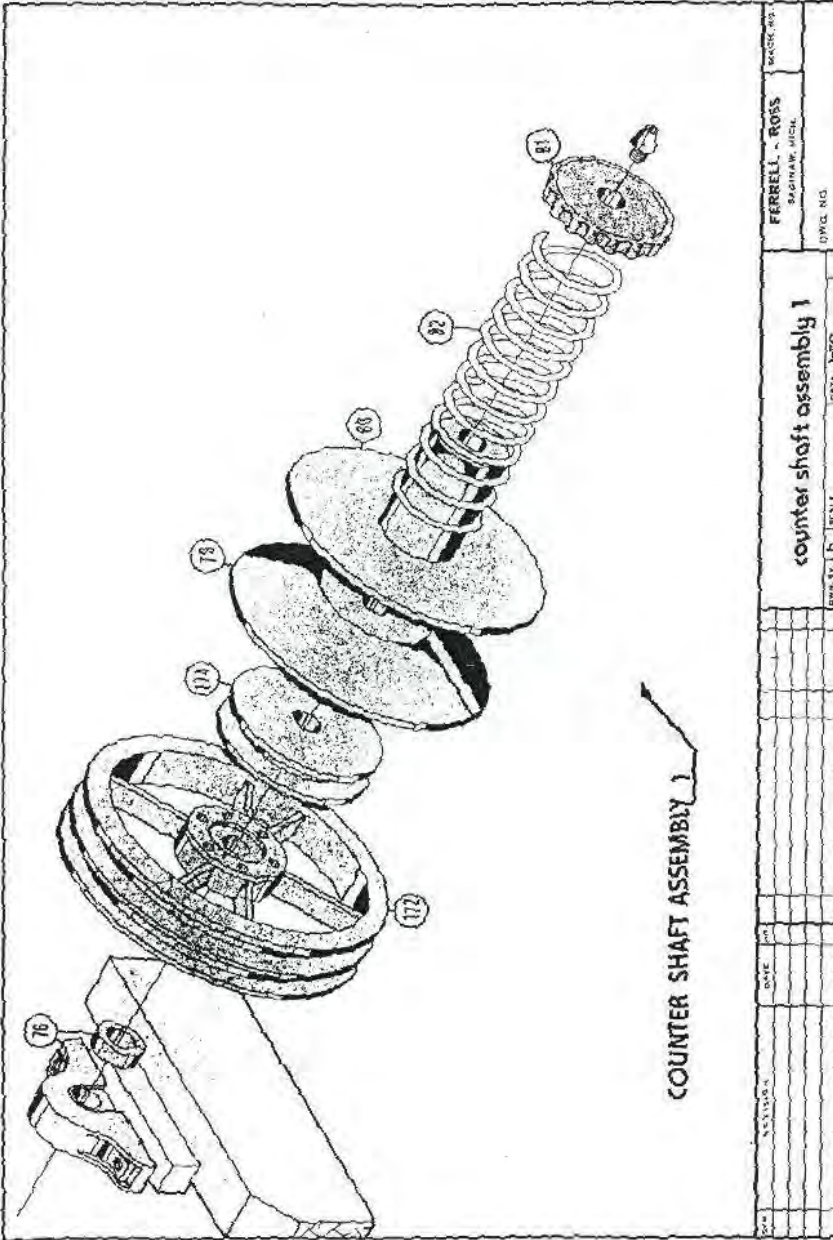
64 BOTTOM
FAN SHAFT ASSEMBLY 2

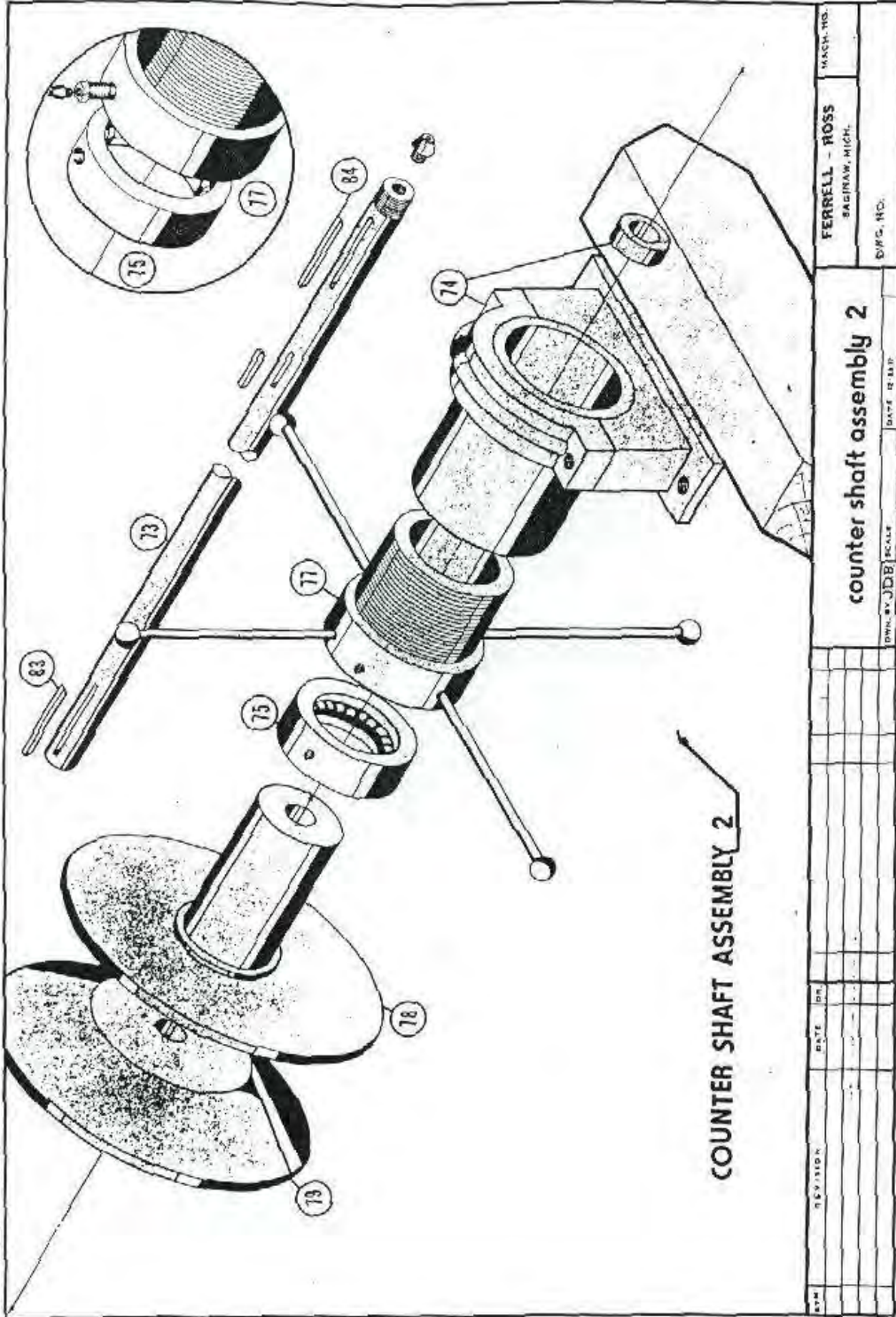
MACH. NO.		
FERRELL - ROSS		
BAGINAW, MICH.		
DWB, INC.		
fan shaft assembly 2		
DATE	BY	CHKD.

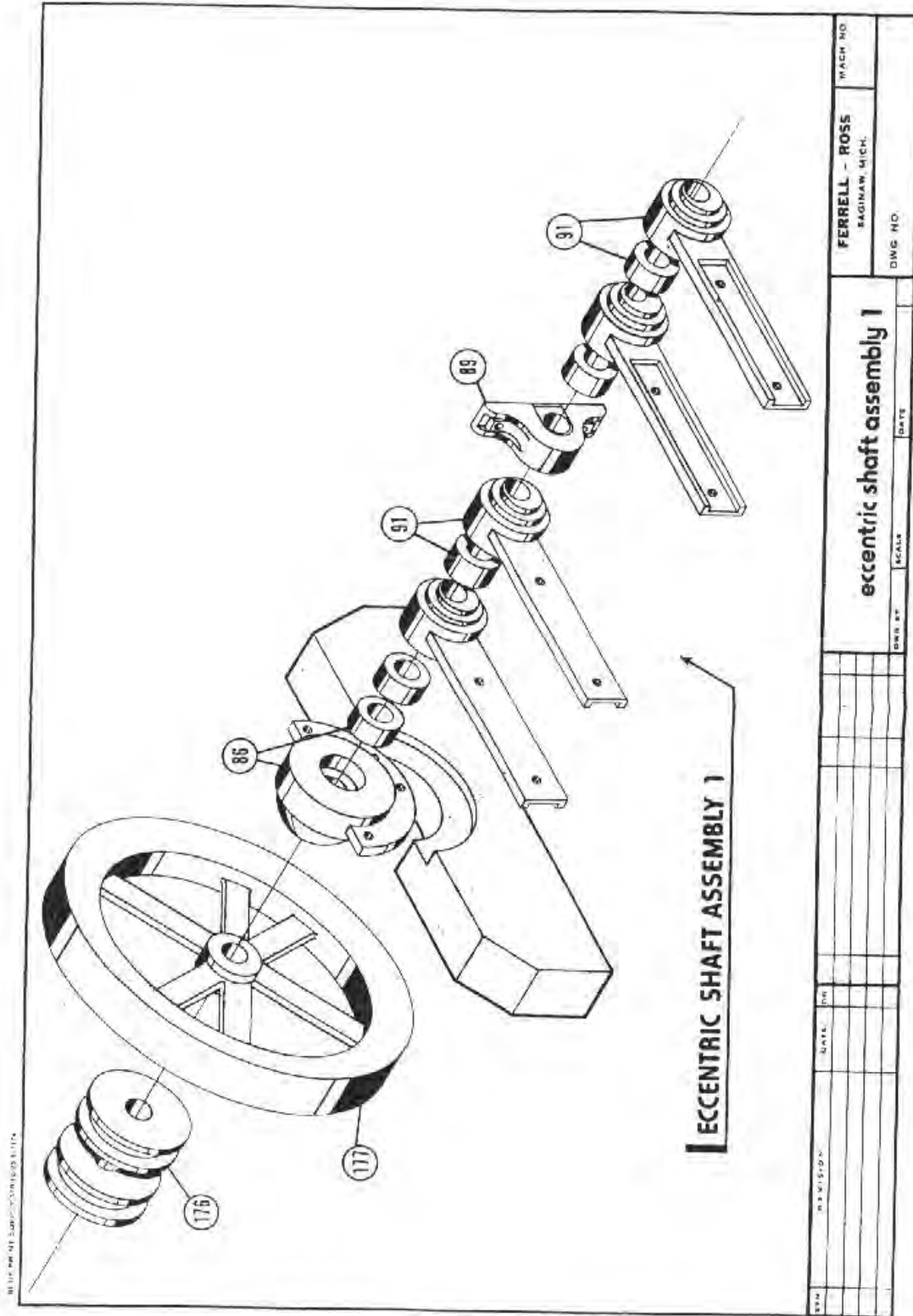


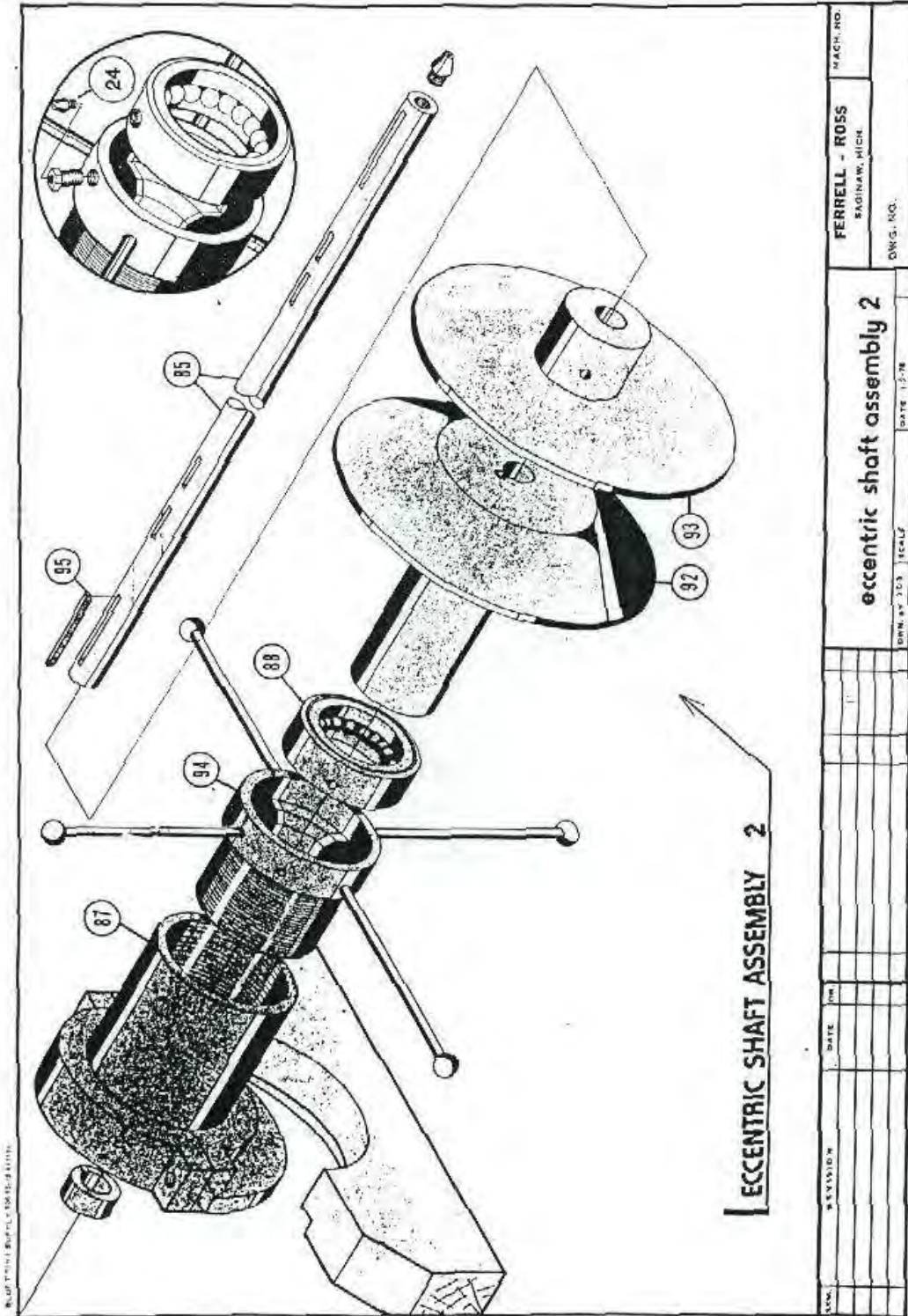
COUNTER SHAFT ASSEMBLY 1

DATE		DRAWN BY		CHECKED BY	
FERRELL - ROSS				DWG. NO.	
SAGINAW, MICH.					
counter shaft assembly 1					
FERRELL - ROSS				DATE: 1-28	



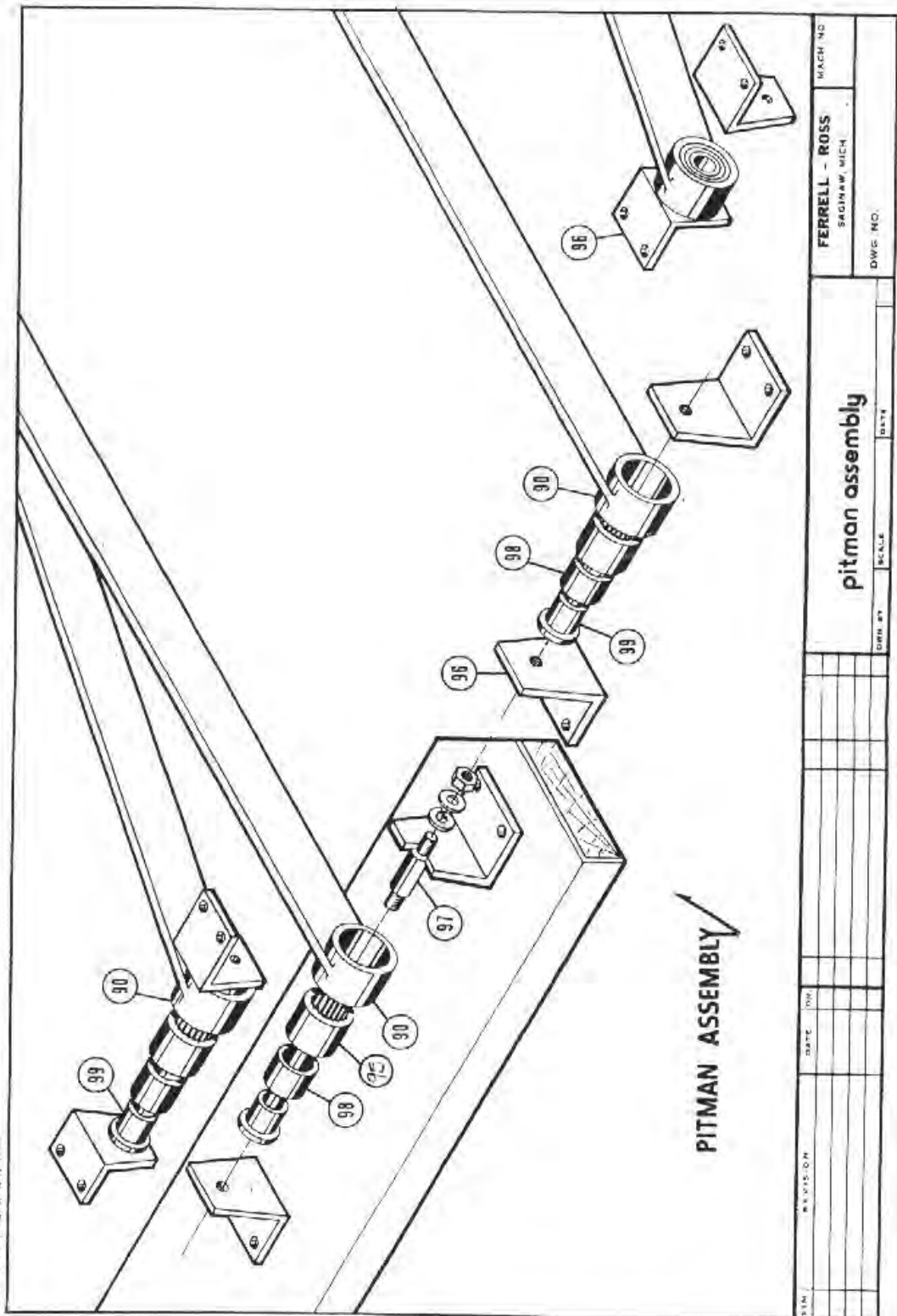






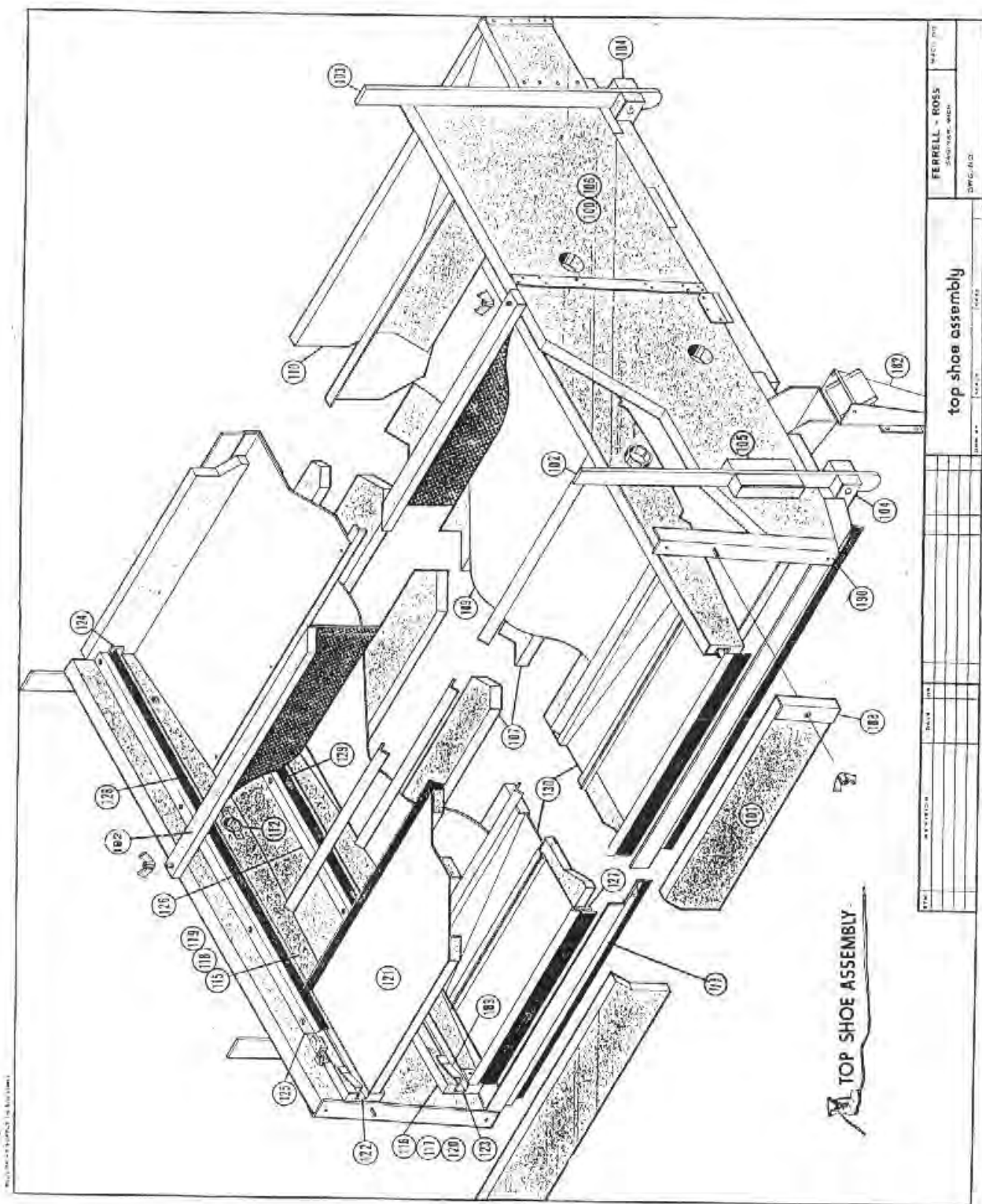
REV.		REVISION		DATE	BY	DWG. NO. 105		TCC/LP		DATE	1/2/48
eccentric shaft assembly 2											
FERRELL - ROSS						MACH. NO.					
BAGINAW, MICH.						DWG. NO.					

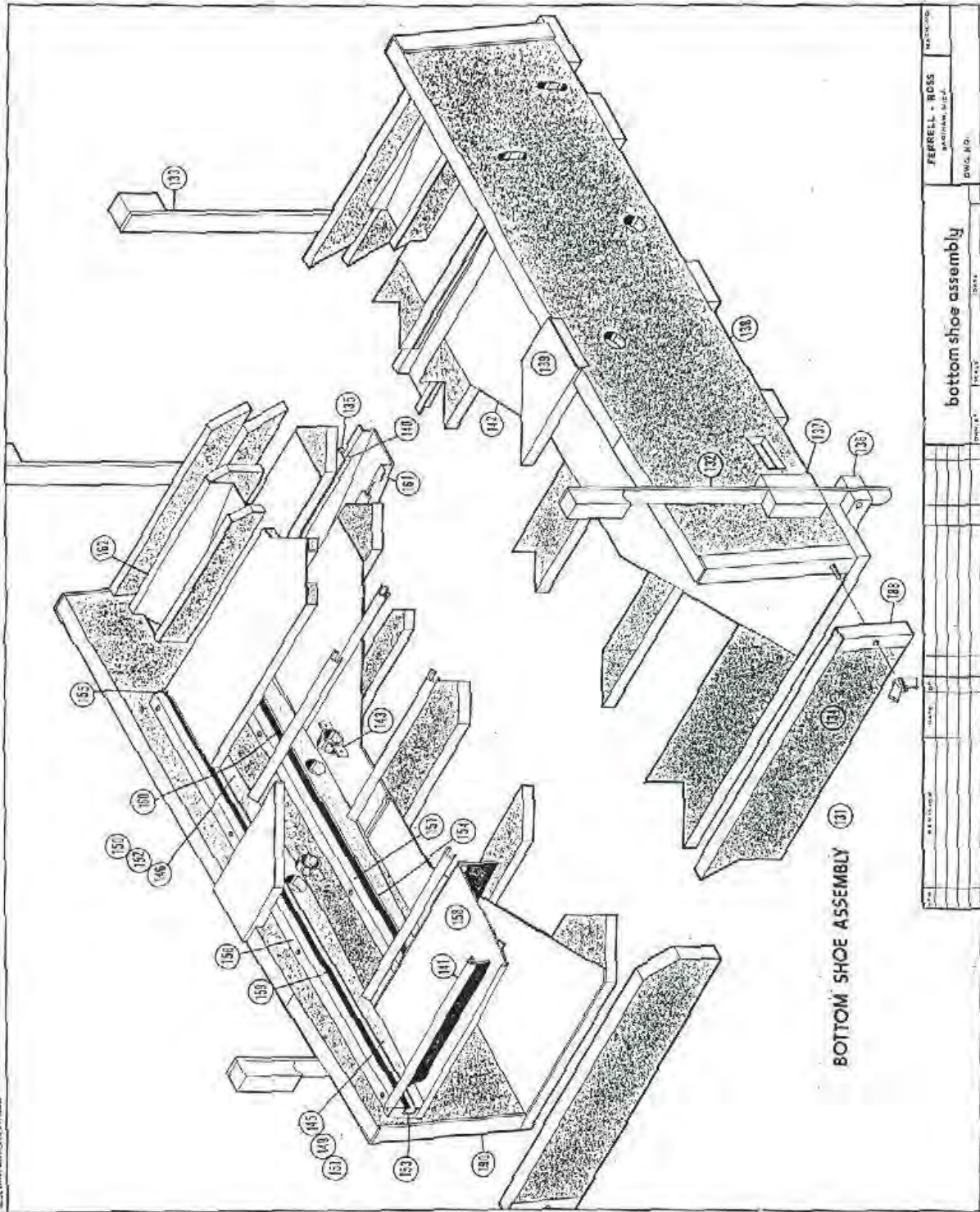
BLUE PRINT SUPPLIED BY U. S. PATENT OFFICE

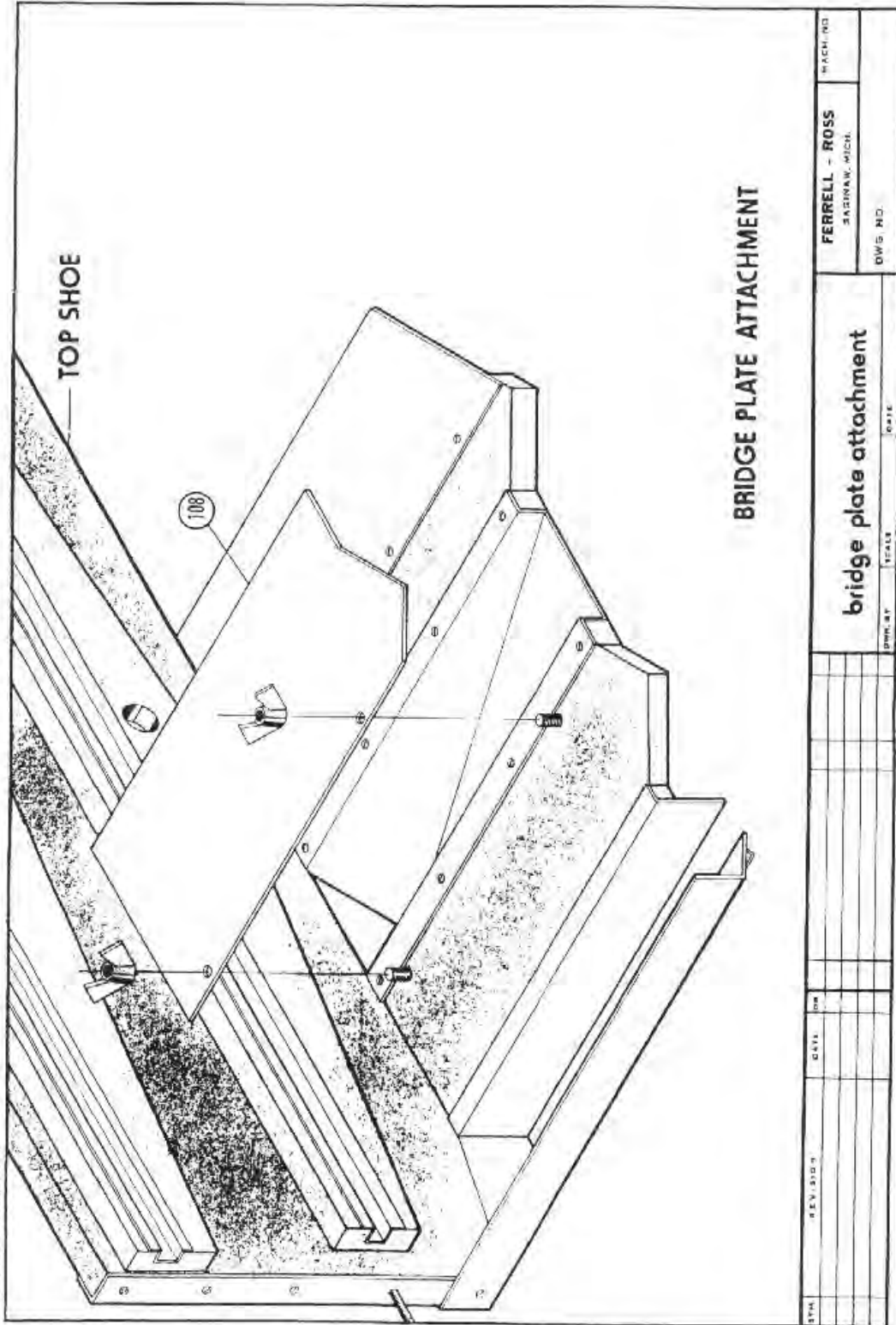


PITMAN ASSEMBLY

DWG. NO.		DRAWN BY		SCALE		DATE	
FERRELL - ROSS				MACH. NO.			
SAGINAW, MICH.				DWG. NO.			
pitman assembly							
DATE	TIME	DATE	TIME	DATE	TIME	DATE	TIME

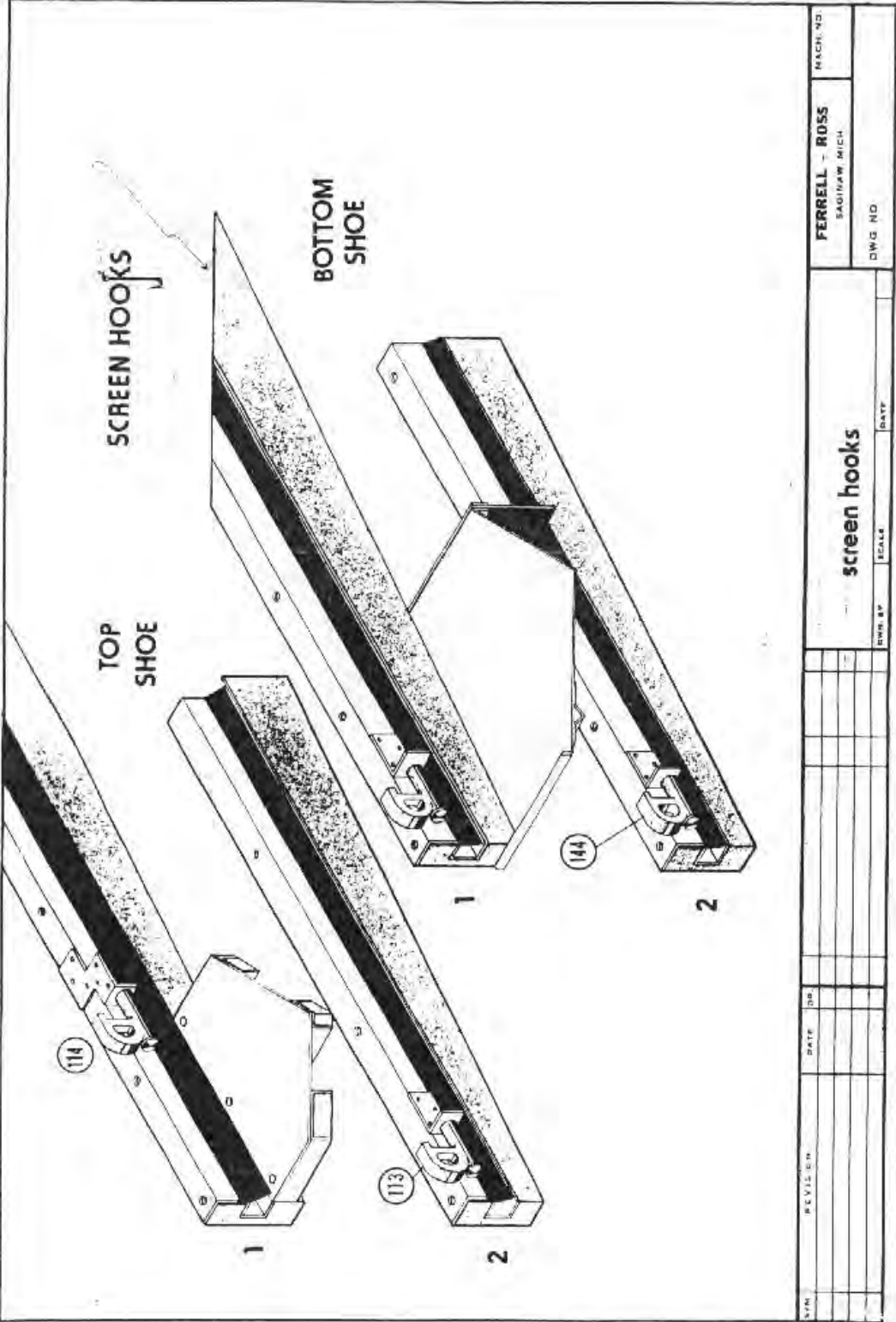




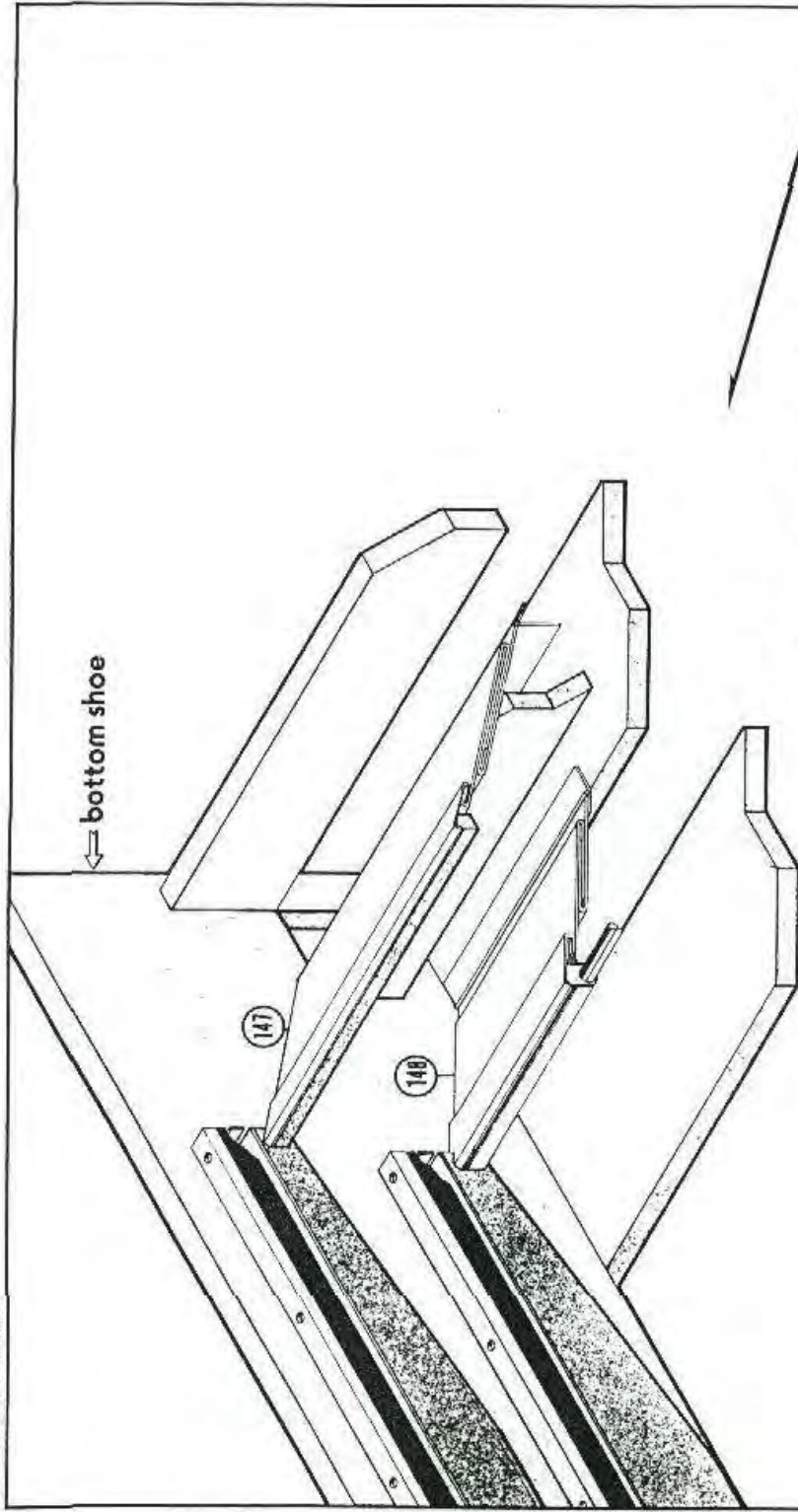


BRIDGE PLATE ATTACHMENT

DATE	REV	DATE	DWG. BY	SCALE
			bridge plate attachment	
			DATE	DWG. NO.
			FERRELL - ROSS SARINAW, MICHEL	
			DRAWING	



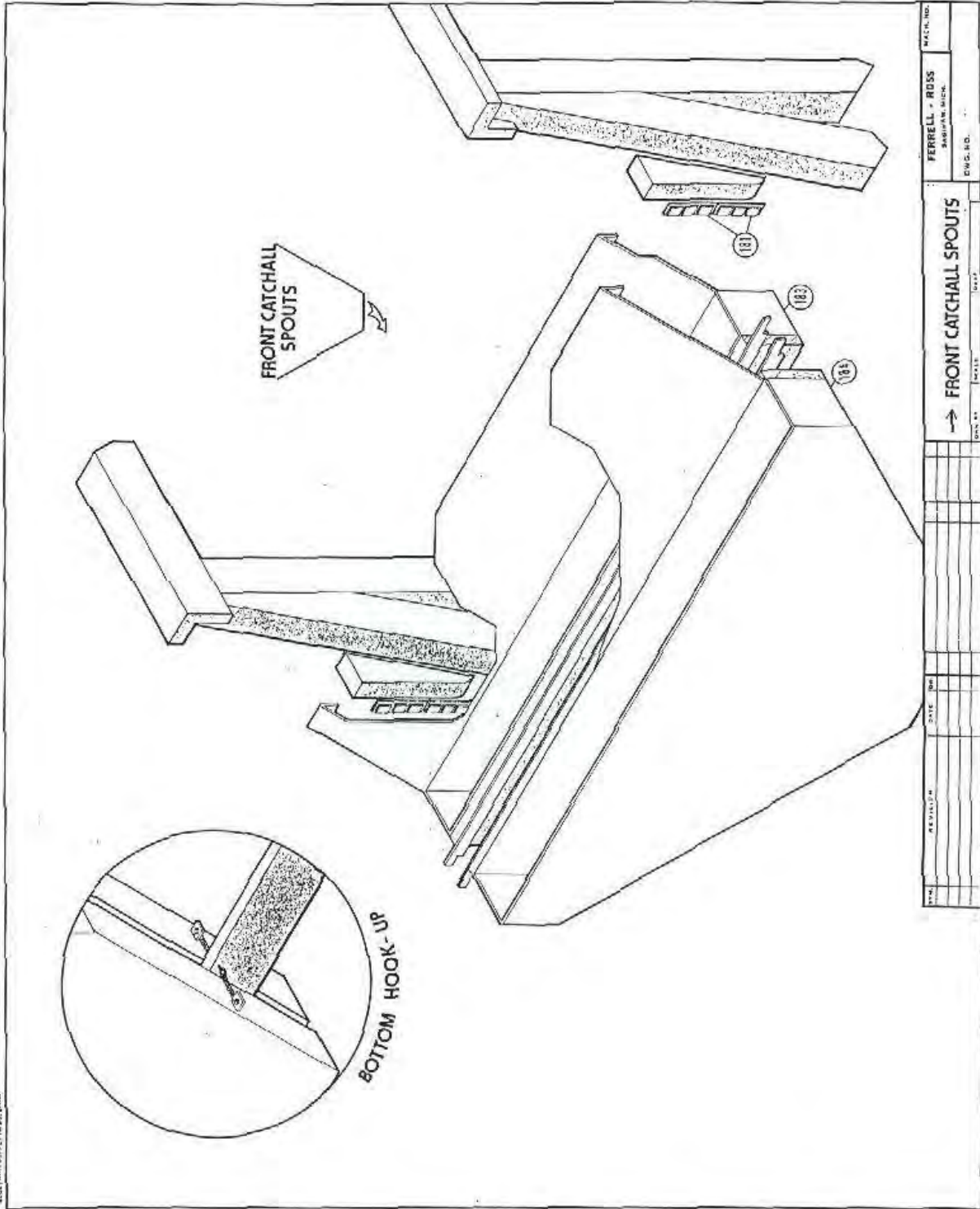
BLUE PRINT SUPPLY COMPANY, INC.

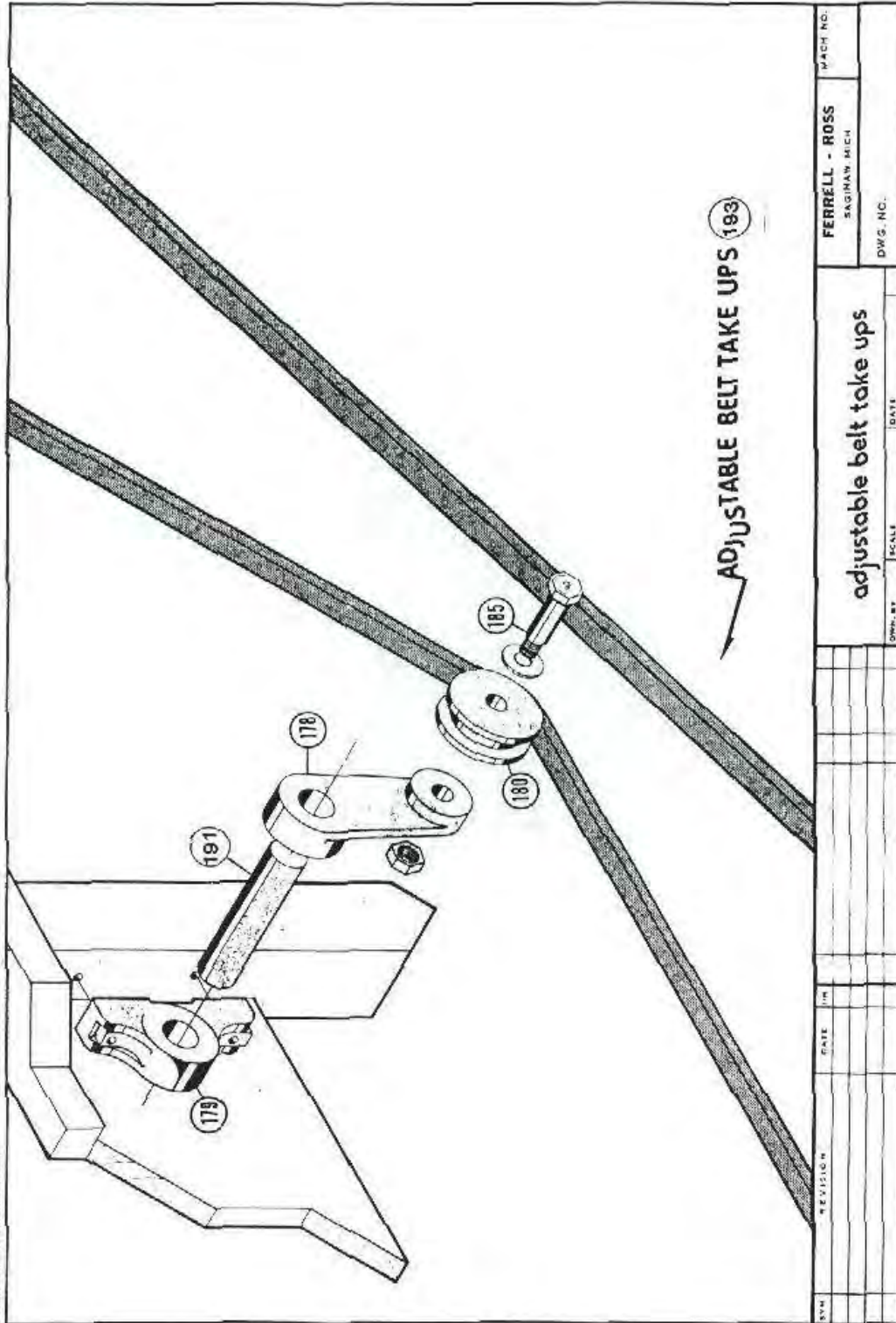


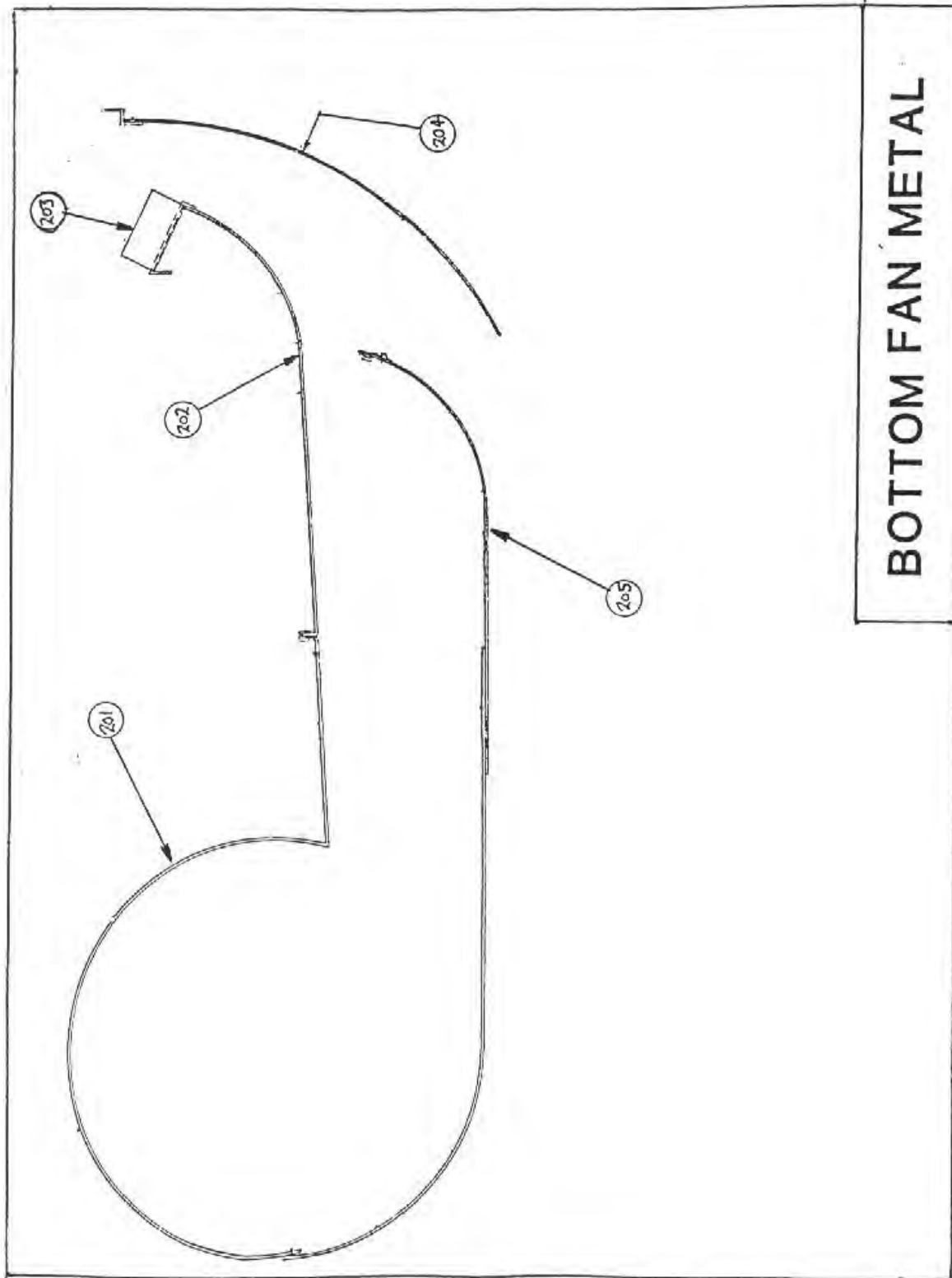
← bottom shoe

ARRANGEMENT FOR TELESCOPIC APRONS

SYM	REVISION	DATE	BY	SCALE	DATE	FERRELL - ROSS		MECH. NO
						SAGINAW, MICH		
DRAWN BY						DWG. NO		
TITLE						arrangement for telescopic aprons,		

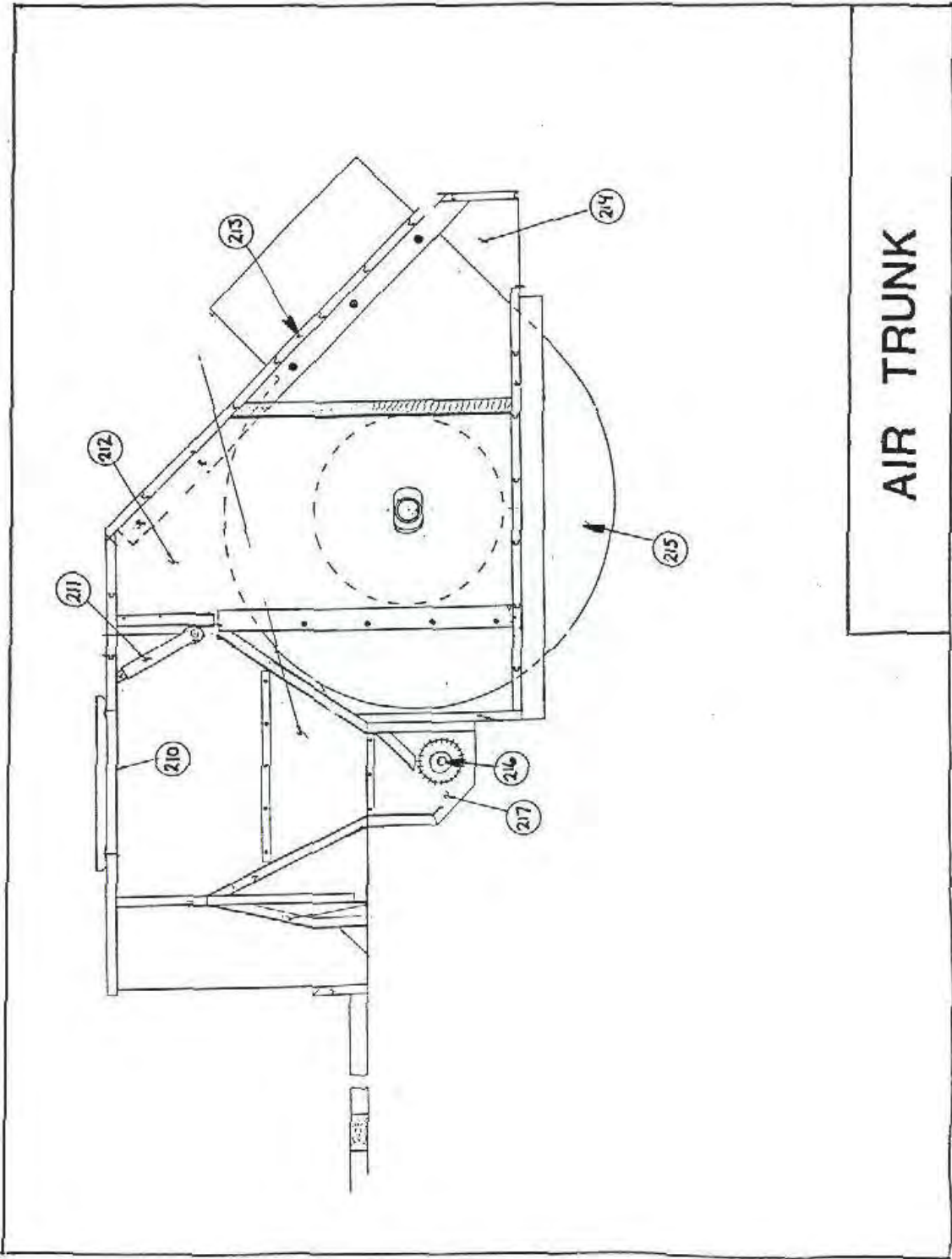






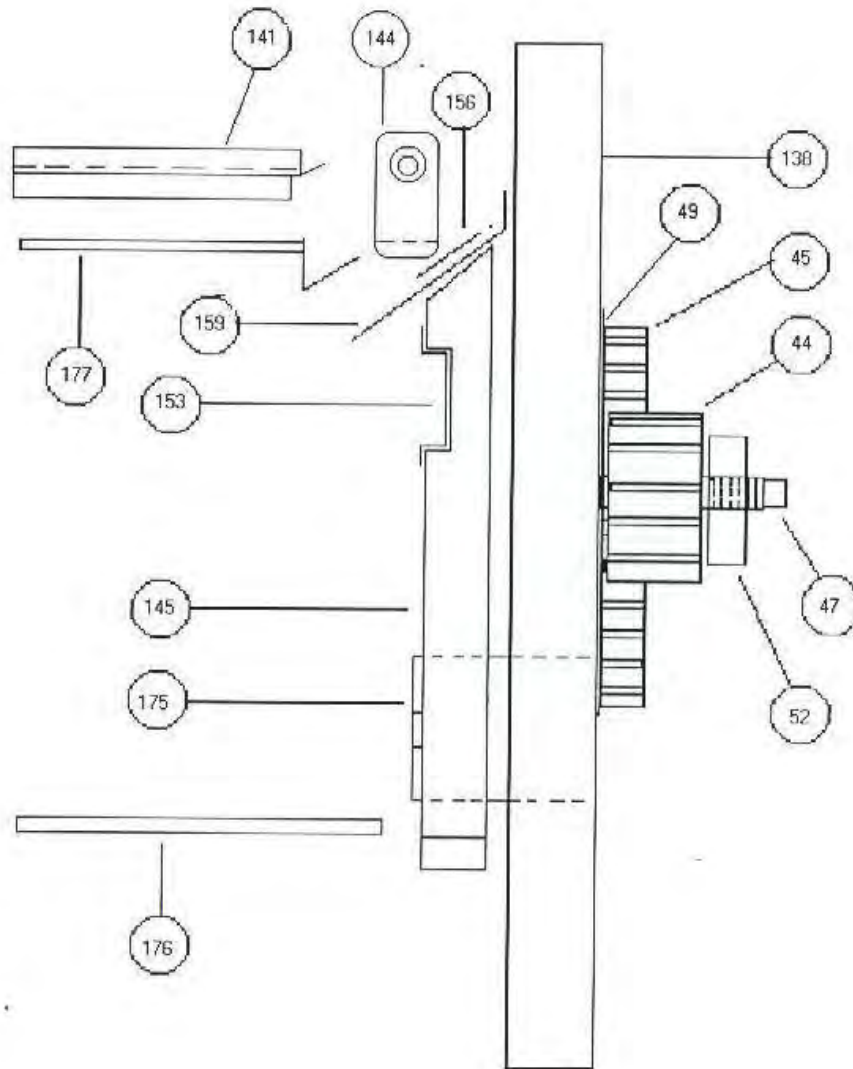
BOTTOM FAN METAL

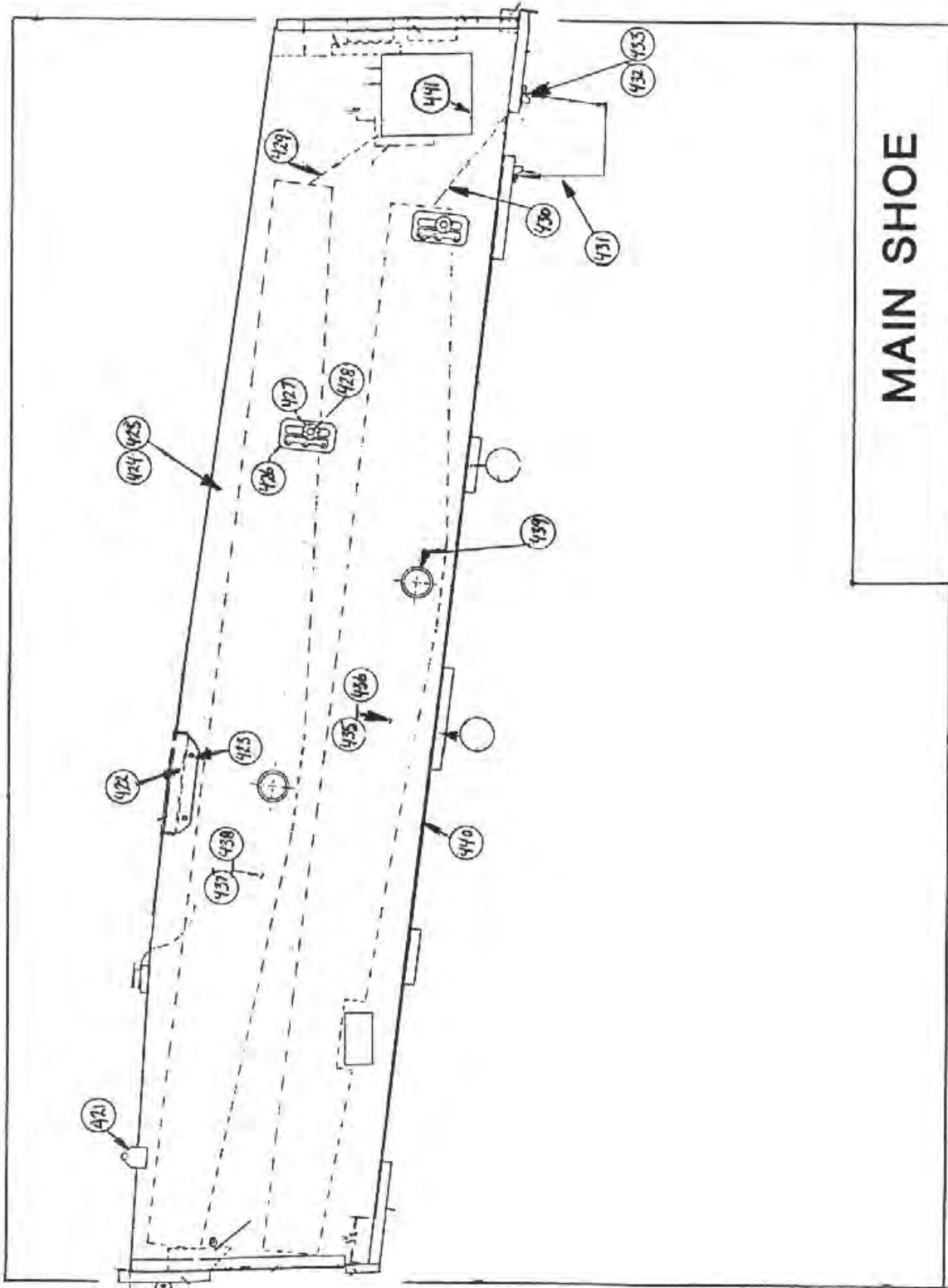
25



AIR TRUNK

Rocker Assembly View Brush Style





MAIN SHOE