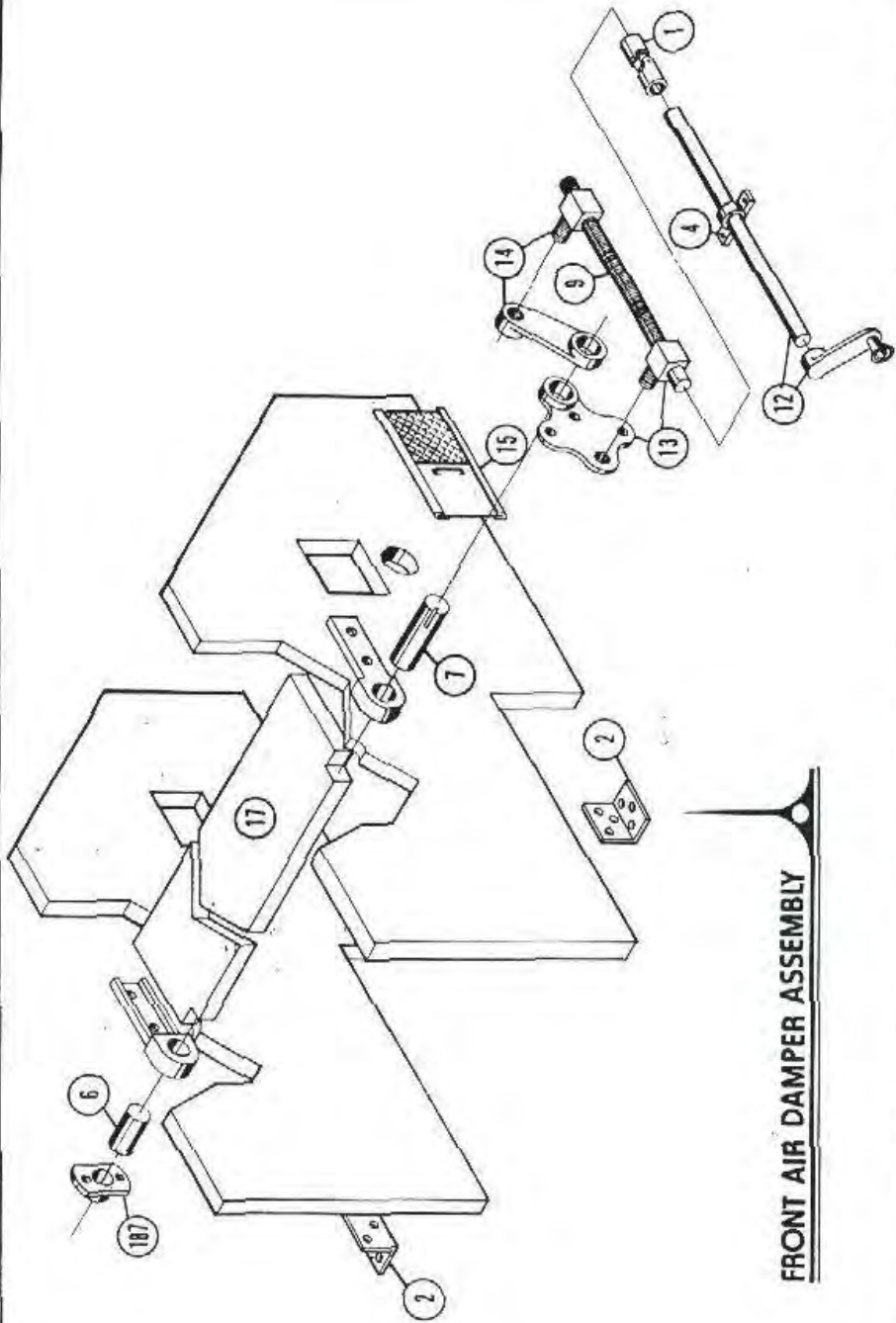


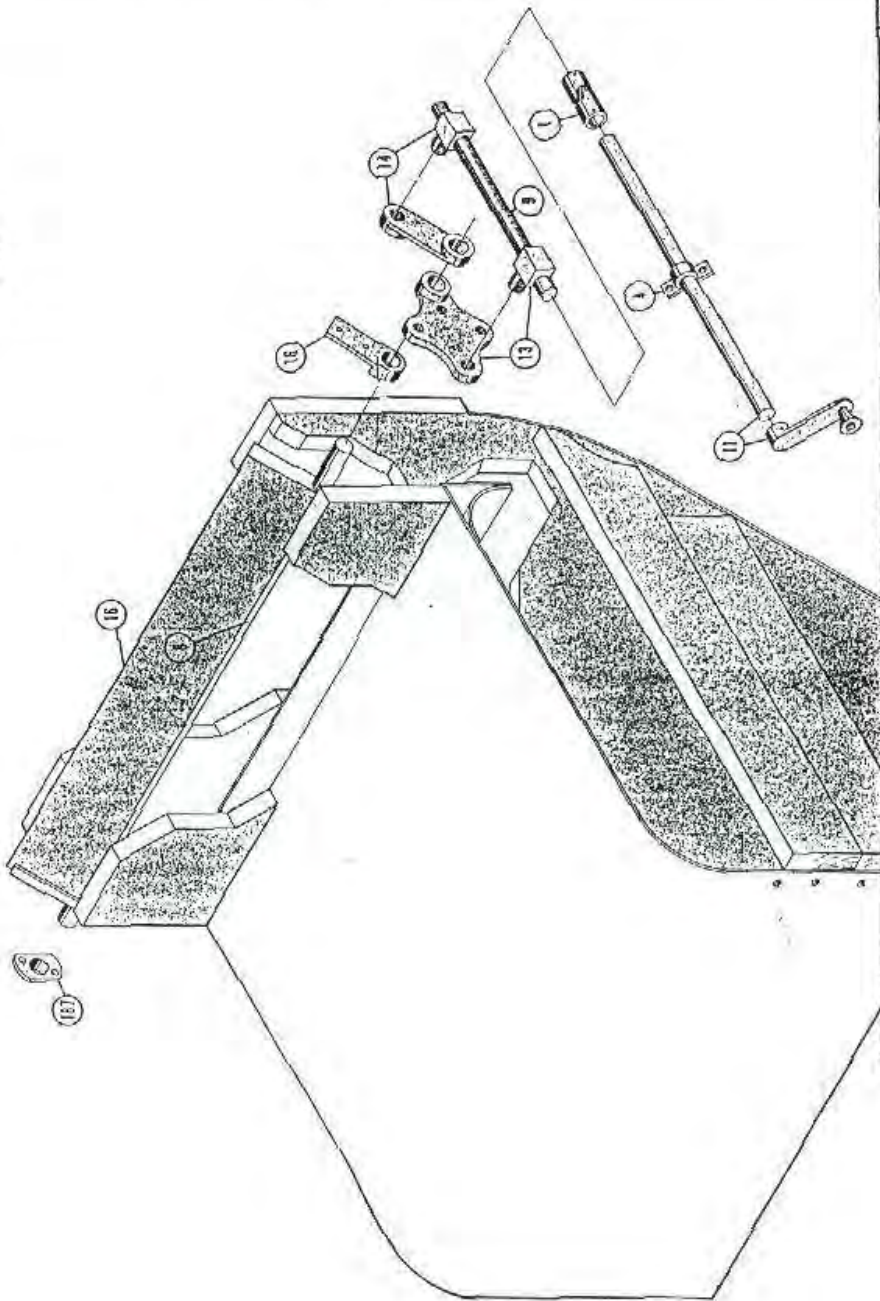
BLUE PRINT SUPPLY & JOB CO. INC.

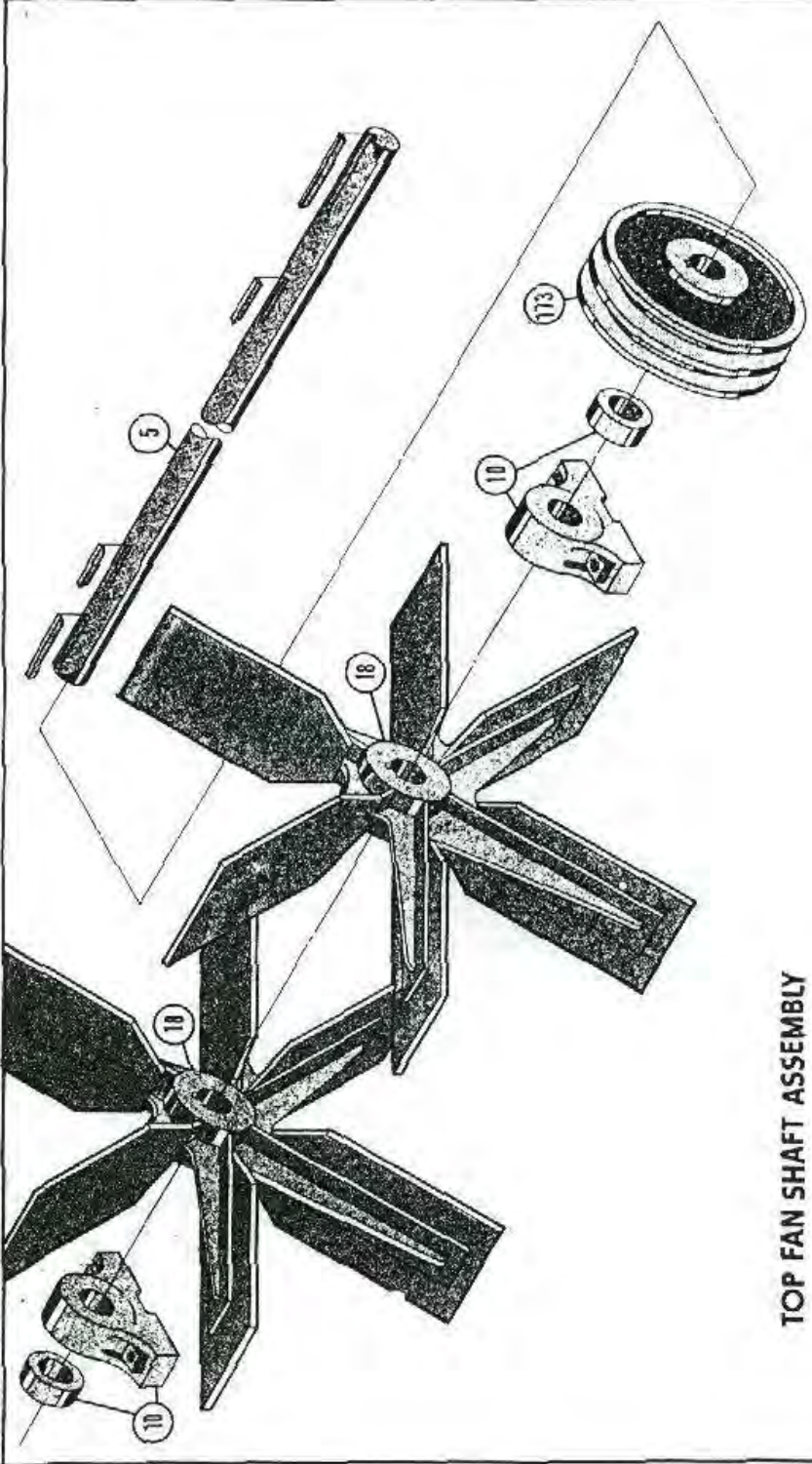


**FRONT AIR DAMPER ASSEMBLY**

SYM		REVISION	DATE	ON	DATE	SCALE	DATE
<p>front air damper assembly</p>							<p>DATE</p>
<p>FERRELL - ROSS</p>							<p>DATE</p>
<p>SAGINAW, MICH.</p>							<p>DATE</p>
<p>DWG. NO.</p>							<p>DATE</p>

BACK AIR DAMPER : TOP FAN SECTION





SCALE PER THIS DRAWING IS 1:1 UNLESS OTHERWISE NOTED

REV.	DESCRIPTION	DATE	BY	DENNEY, J.B.	SCALE	1:1	DATE		DWG. NO.		MACH. NO.

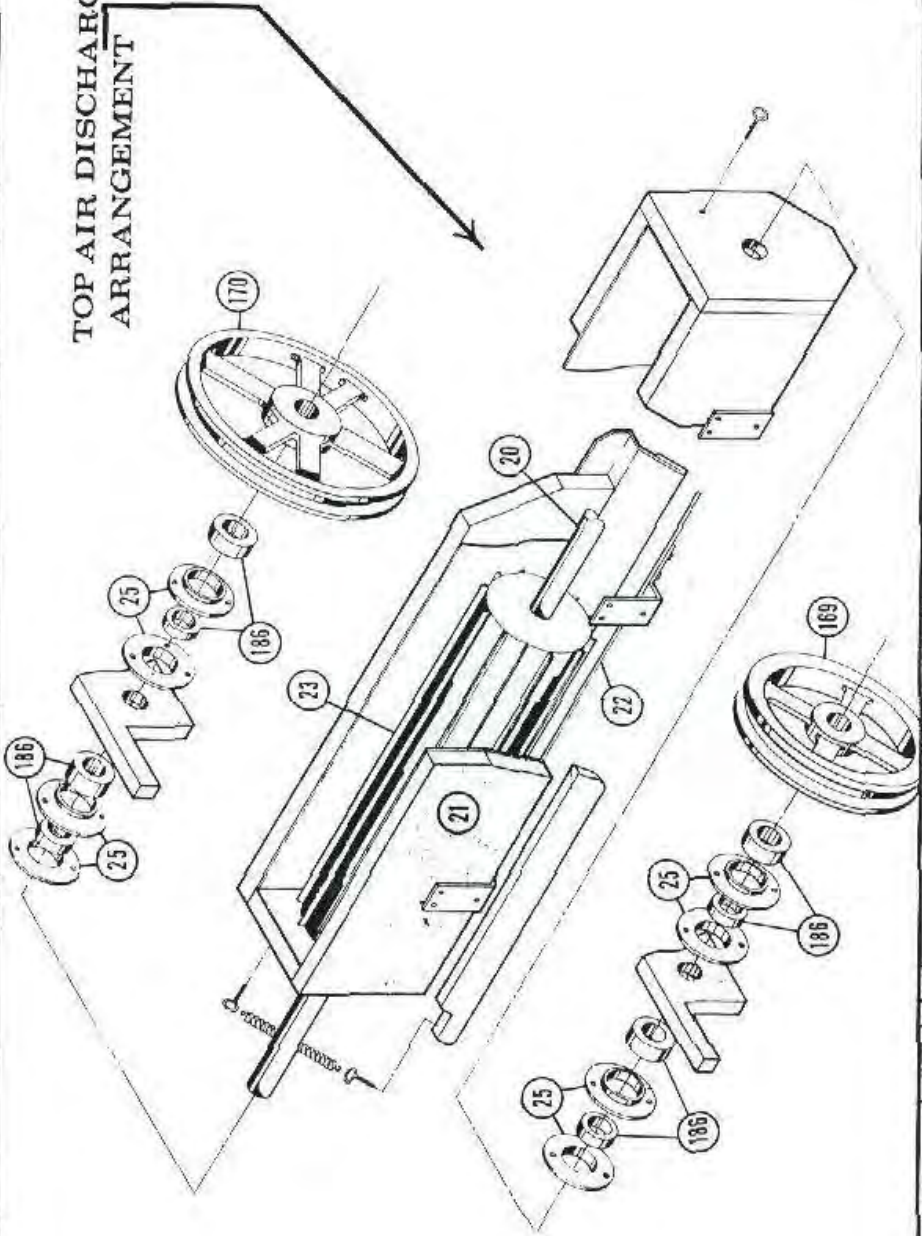
**top fan shaft assembly**

**FERRELL - ROSS**  
Saginaw, Mich.

**TOP FAN SHAFT ASSEMBLY**

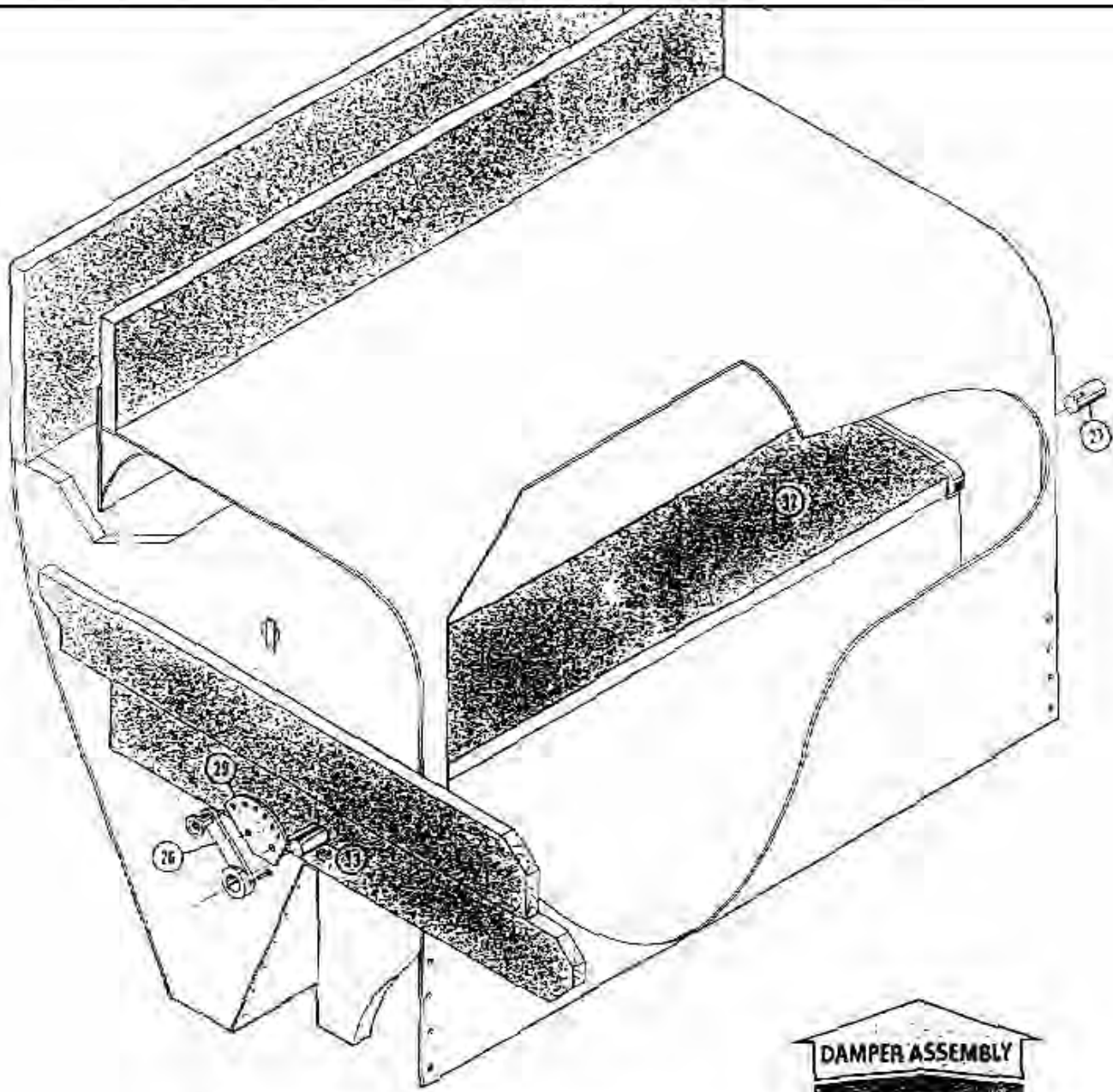
MULTI-PHASE SUPPLY CO. DETROIT, MICH.

TOP AIR DISCHARGE  
ARRANGEMENT



SYN.	REV.	DATE	BY	DATE	BY	SCALE	DATE	BY	NO.
- top air discharge arrangement								DATE	2-10-17
								DRAWN BY	J. B.
								DWG. NO.	
								FERRELL - ROSS	
								SAGINAW, MICH.	
								MACH. NO.	

5

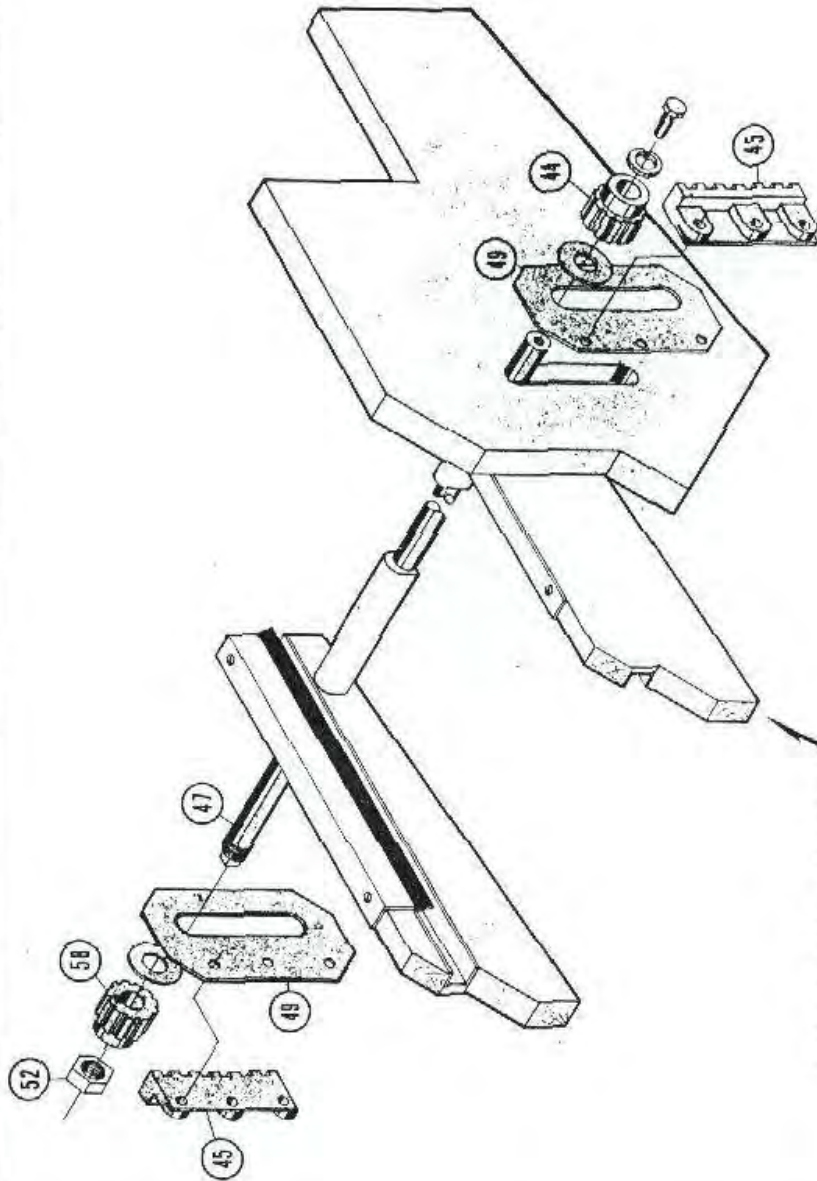


**DAMPER ASSEMBLY**

REV	DATE	BY	CHKD	APP'D	DESCRIPTION	FERRELL - ROSS	WORK NO.
					damper assembly	W. H. H. W. H. H.	
						DWR. NO.	



WALSH PRINT SUPPLY, INC. 15-10-83 12



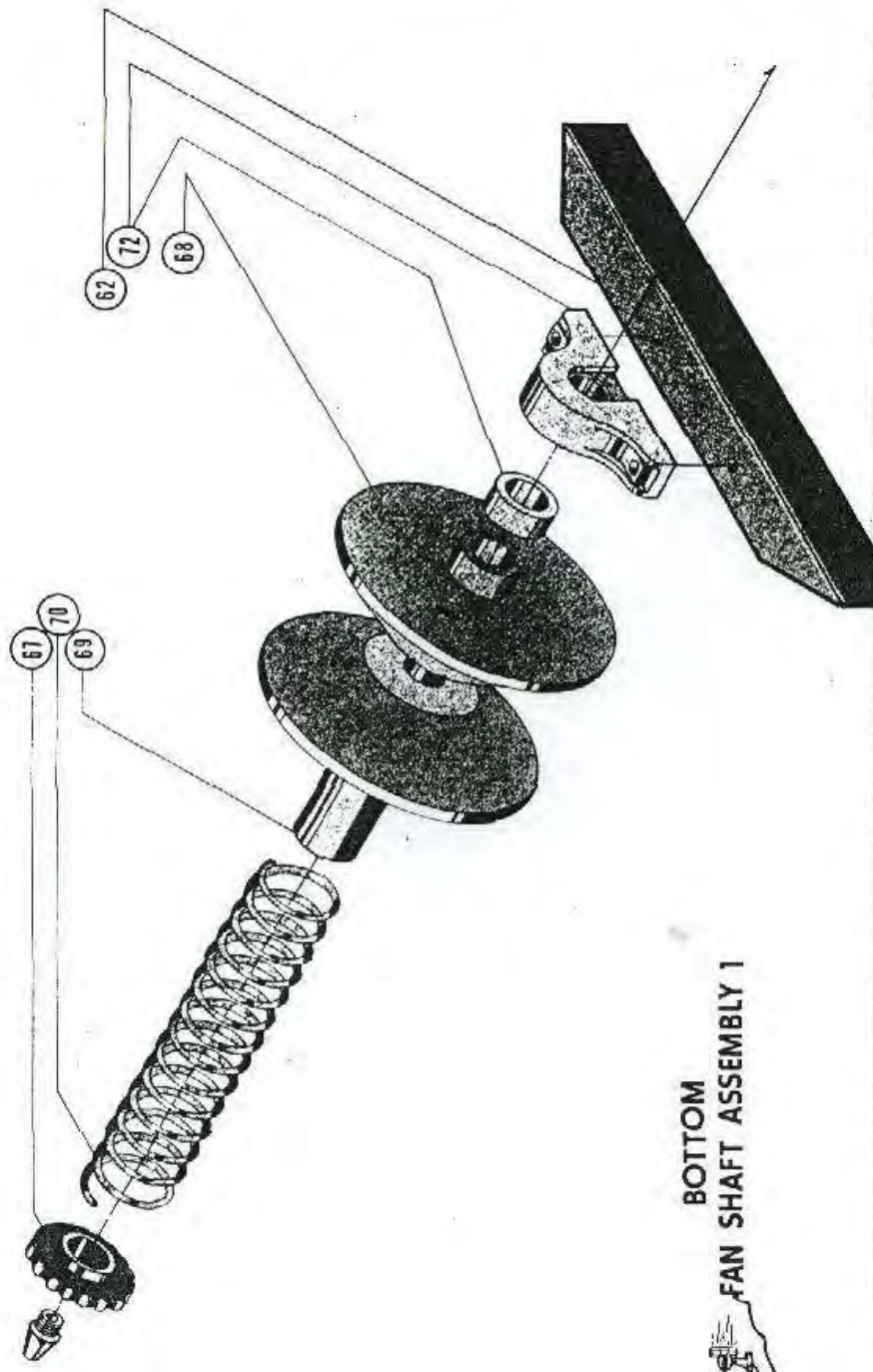
**TILTING ROD ASSEMBLY**

REV.	REVISION	DATE	DR.	DATE	DR.	DRAWN BY	SCALE	DATE

**tilting rod assembly**

FERRELL - ROSS SAGINAW, MICH.	MACH. NO.
DWG. NO.	

Scale: 1/8" = 1" (SEE NOTE 1)



**BOTTOM  
FAN SHAFT ASSEMBLY 1**



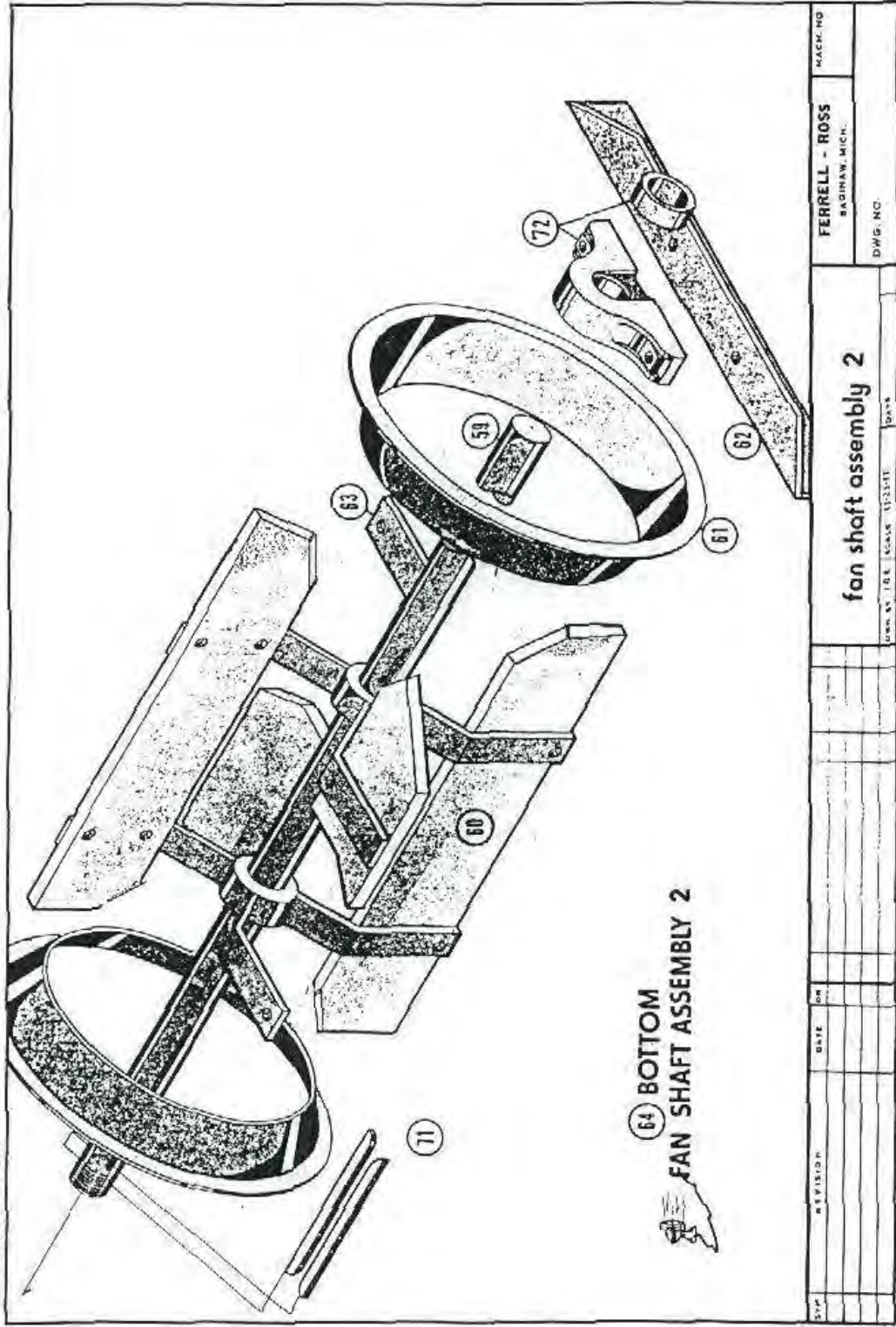
SYMBOL	DESCRIPTION	DATE	BY	SCALE	DATE	BY

FERRELL - ROSS  
BAGINAW, MICH.  
DWG. NO. \_\_\_\_\_  
MACH. NO. \_\_\_\_\_

fan shaft assembly 1

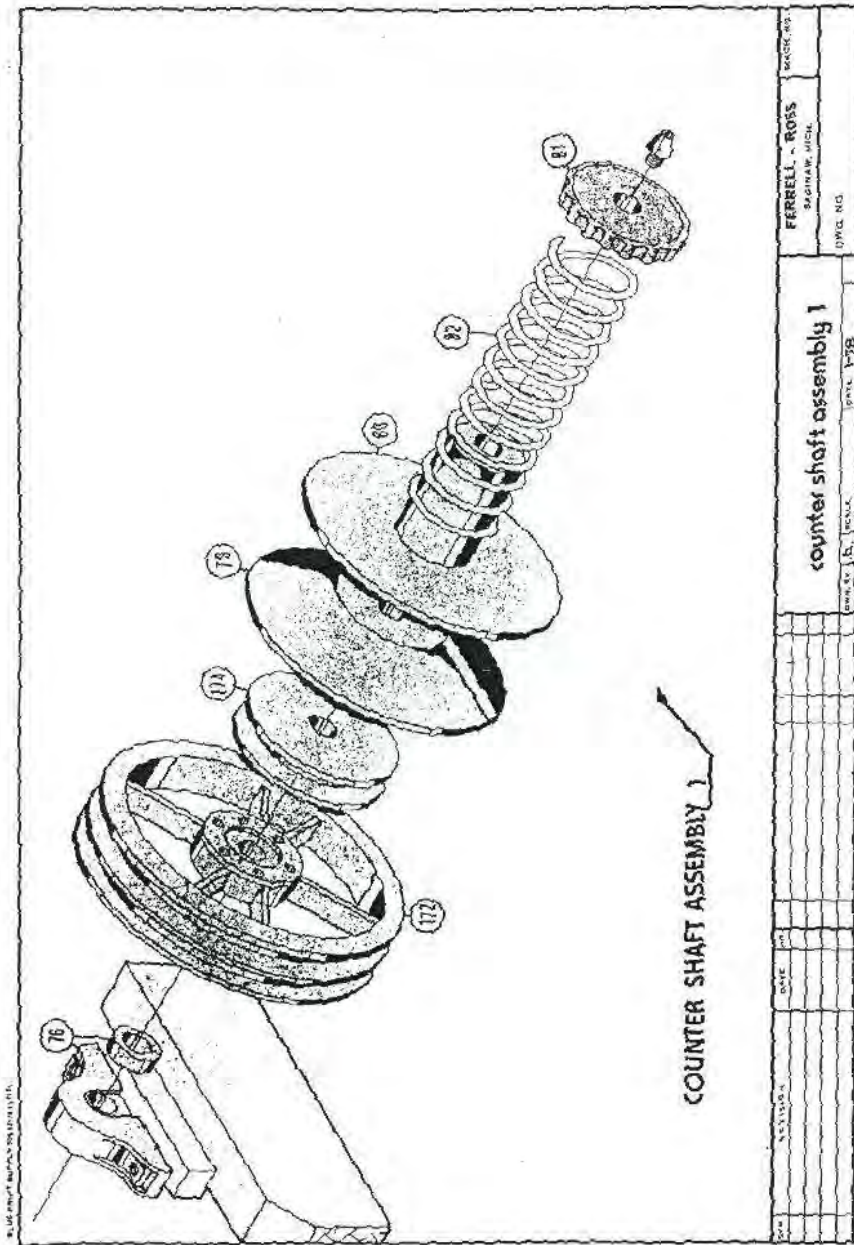
DATE: 12-22-77





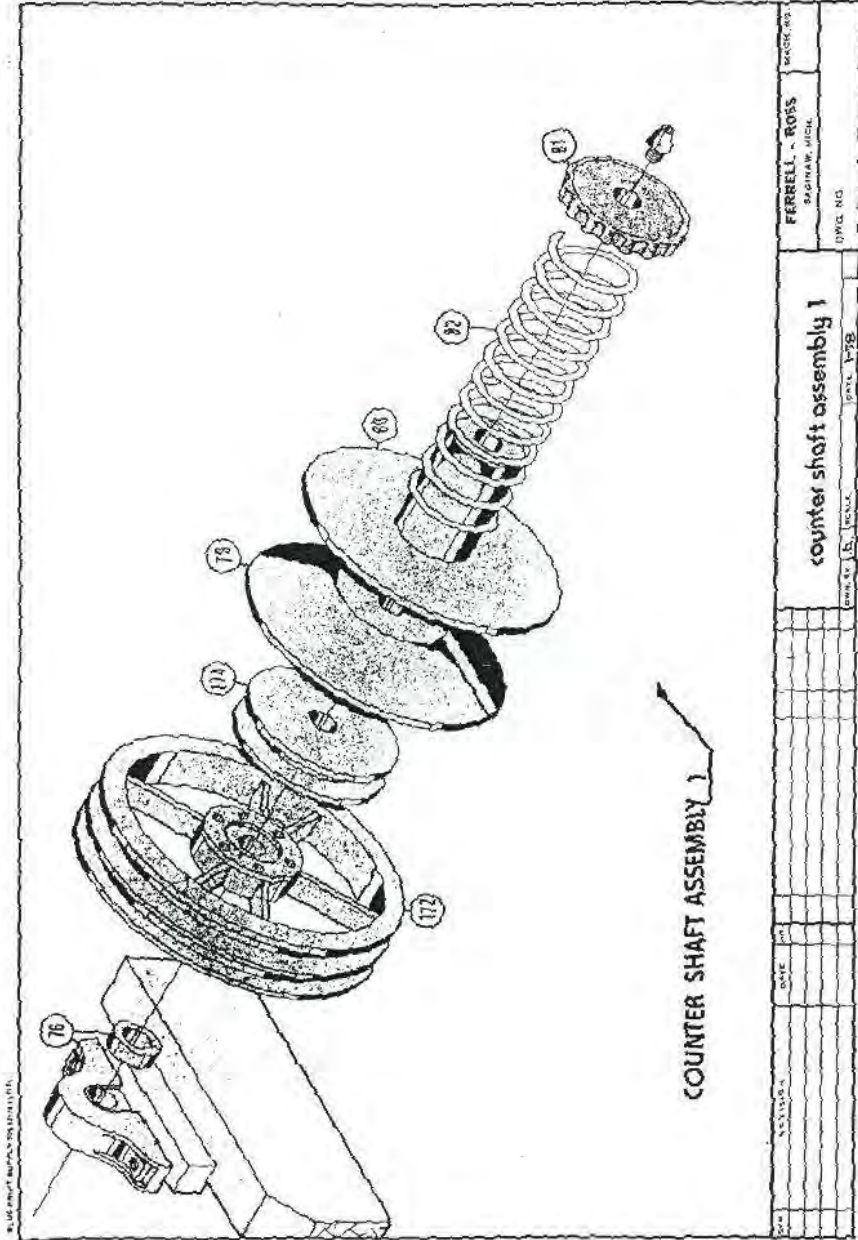
64 BOTTOM  
FAN SHAFT ASSEMBLY 2

SYN		REVISION	DATE	BY	DWG. NO. 100-10000-1323-11	DATE	DWG. NO.	
							100-10000-1323-11	
				FERRELL - ROSS		MACH. NO.		
				BAGINAW, MICH.		DWB, INC.		
				fan shaft assembly 2				



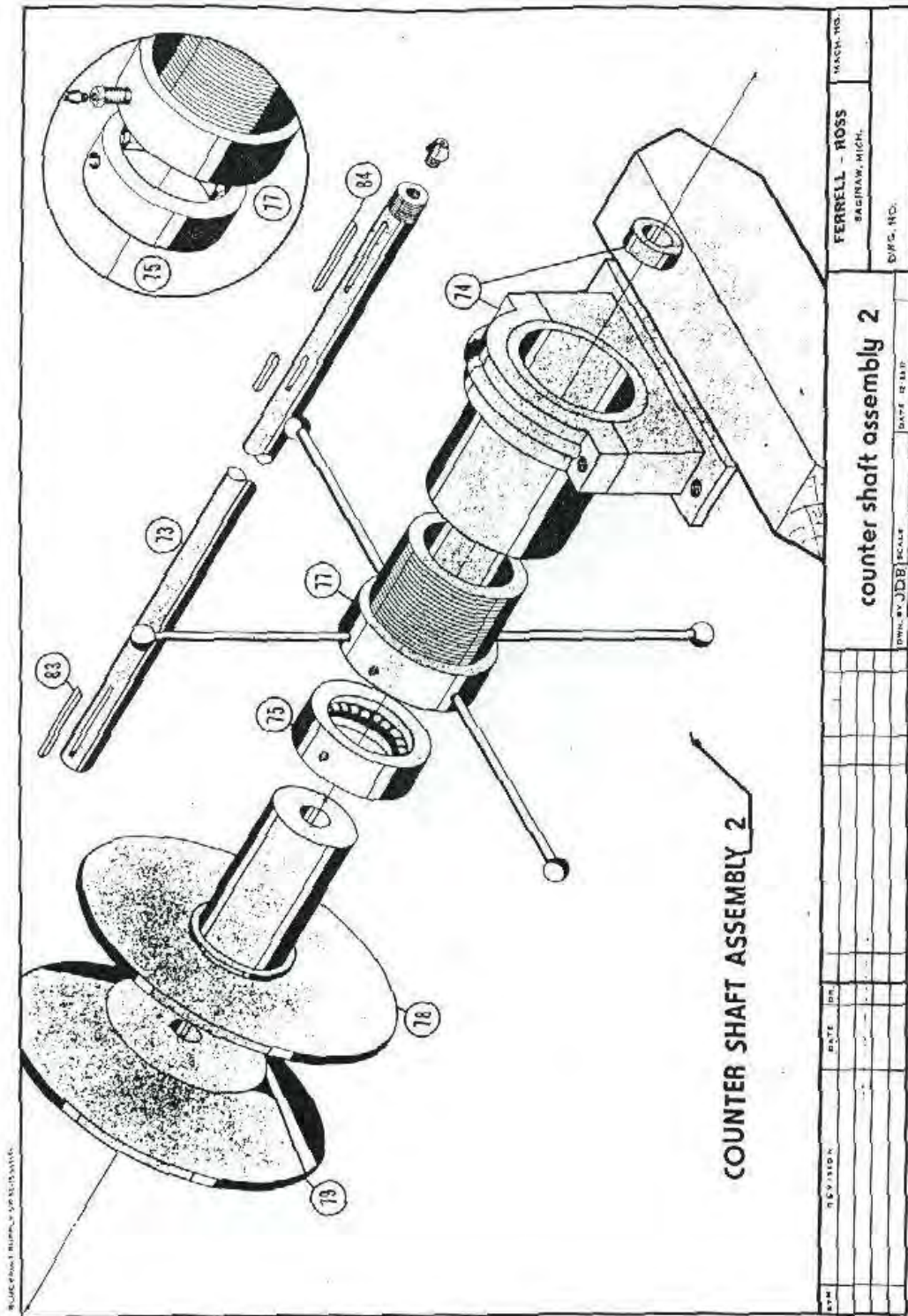
COUNTER SHAFT ASSEMBLY 1

FERRELL - ROSS		DRAWING NO.	
SAGINAW, MICH.		DWG. NO.	
counter shaft assembly 1		DATE: 1-28	
DATE	BY	CHKD.	APP'D.



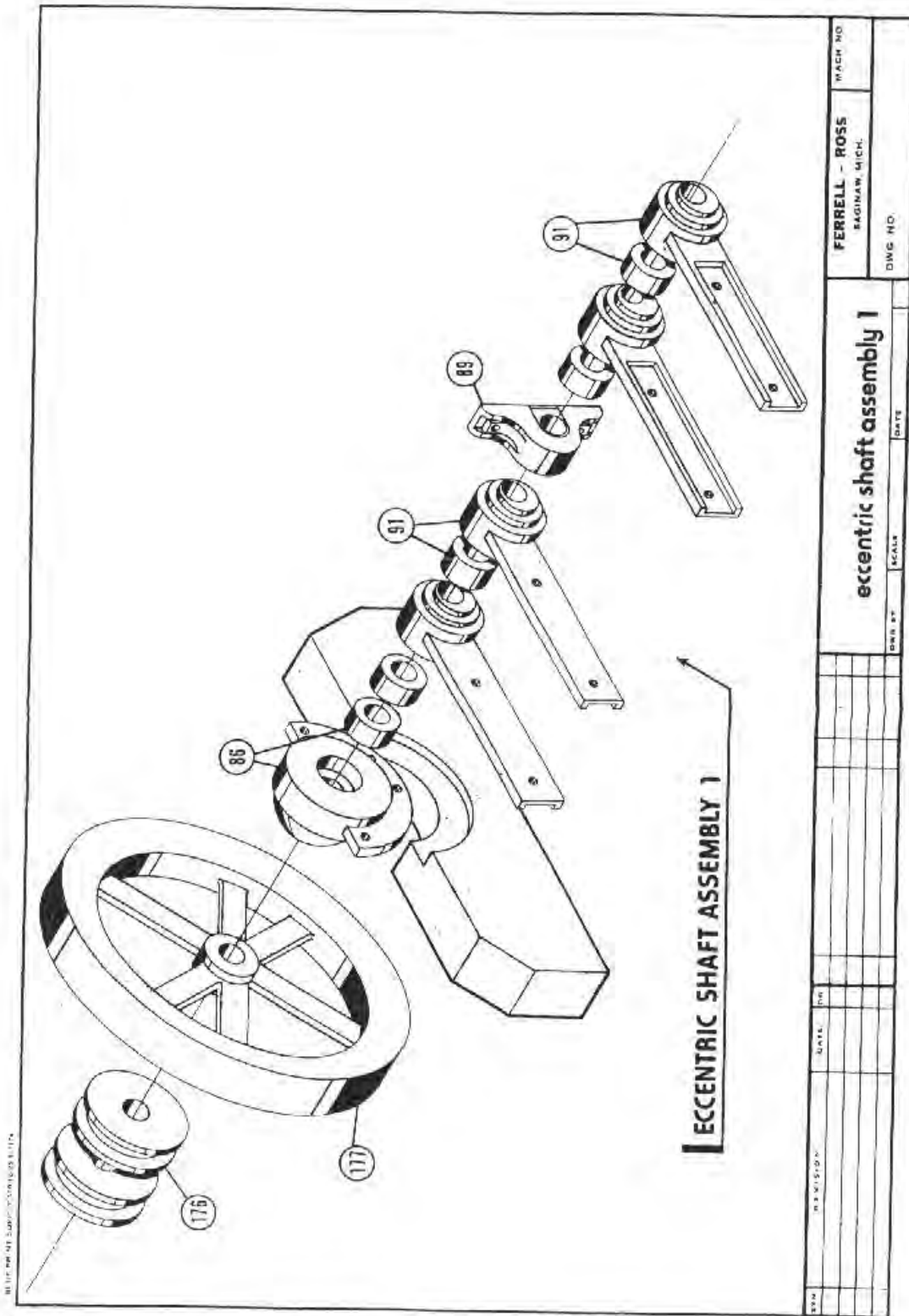
COUNTER SHAFT ASSEMBLY 1

FERRELL - ROSS SAGINAW, MICH. DWG. NO.		DATE: 1-28	
counter shaft assembly 1			
NO.	REV.	DATE	BY

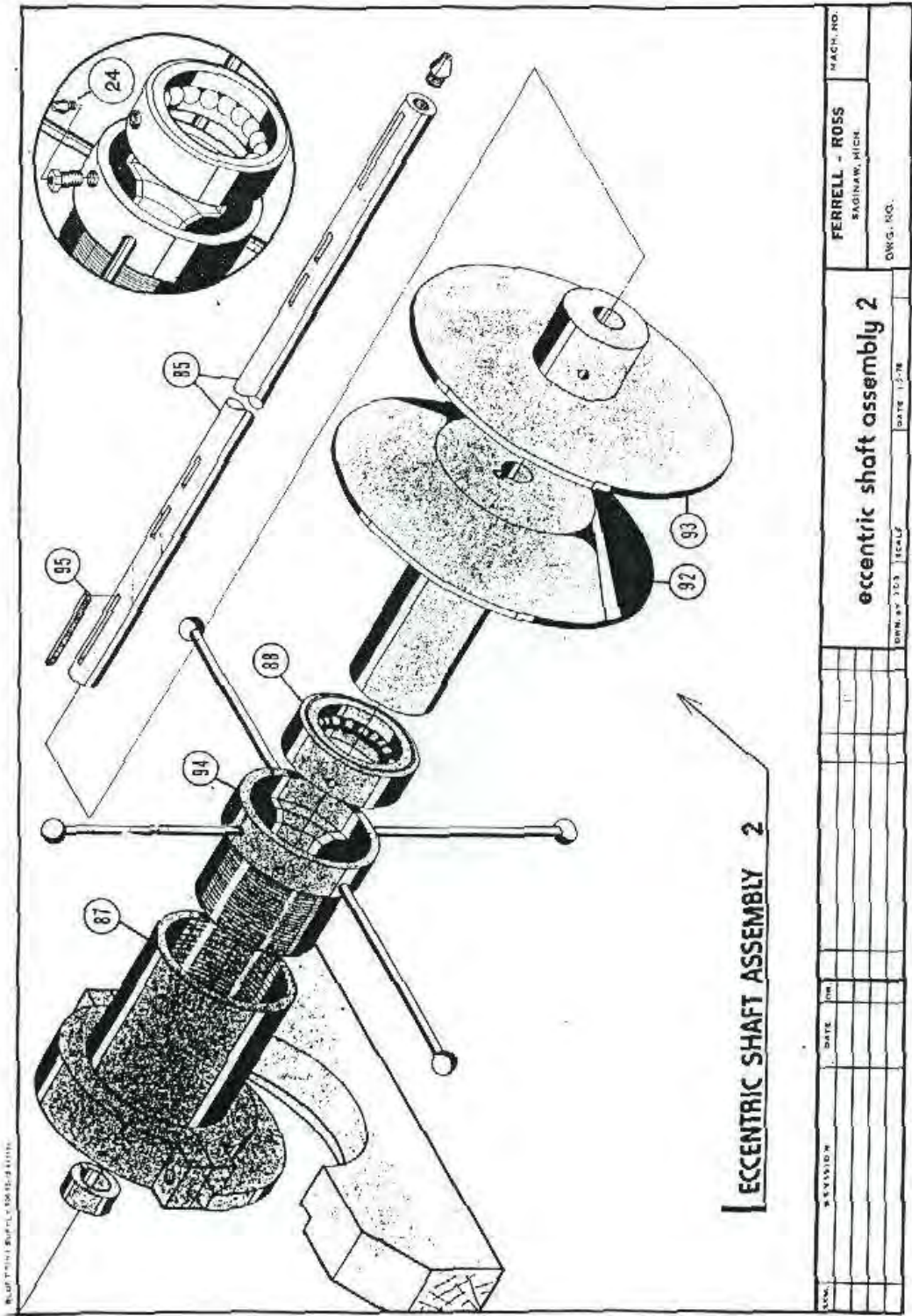


DATE	REVISION	BY	CHK	DATE	SCALE	DWG. NO. JDB	DATE 12 19 60	counter shaft assembly 2	
								FERRELL - ROSS	MACH. NO.
								SAGINAW, MICH.	
								DWG. NO.	

COUNTER SHAFT ASSEMBLY 2

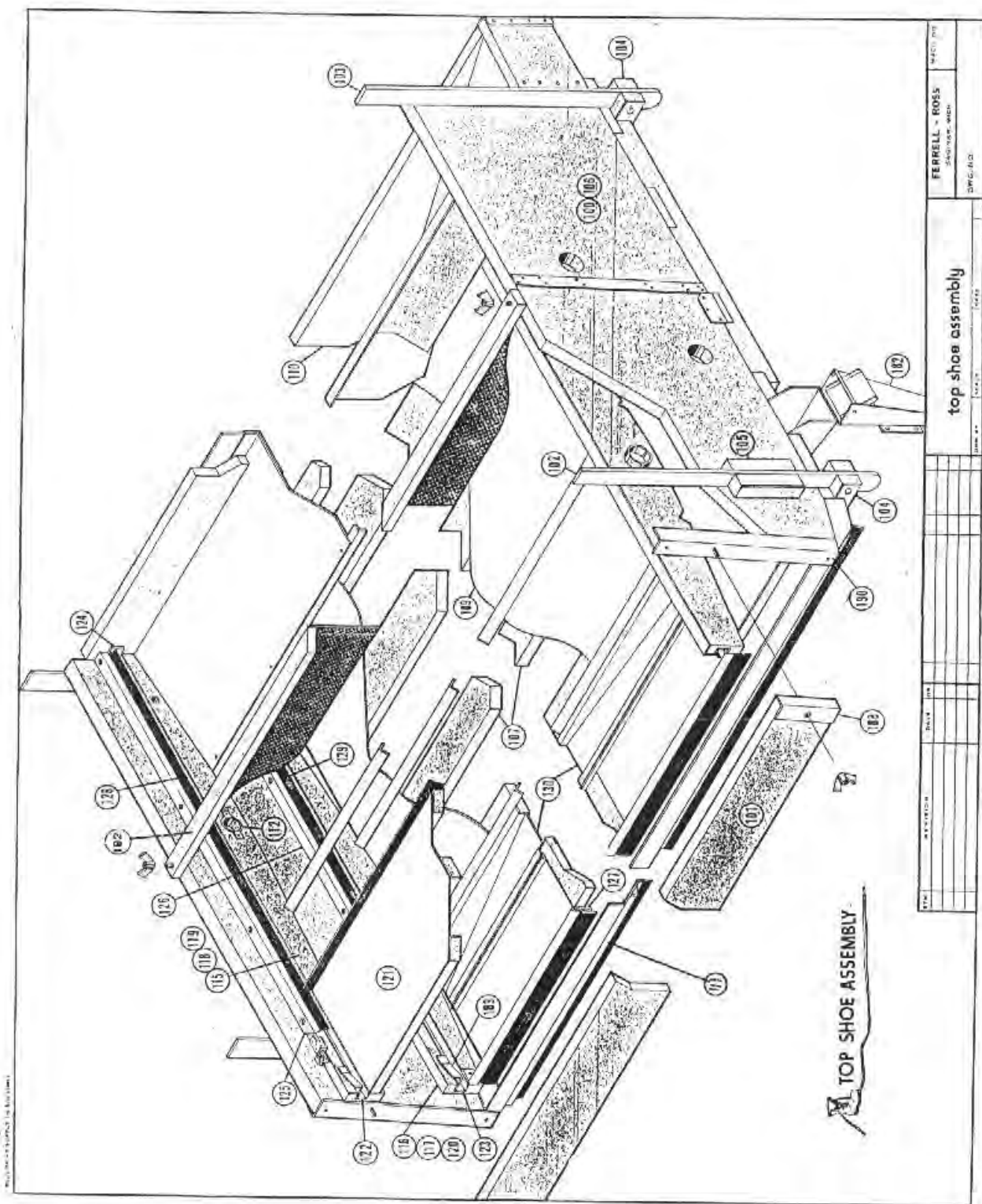


DWG NO.		DATE		SCALE		DWG BY		DATE		DWG NO.	
FERRELL - ROSS		BAGINAW, MICH.		MACH NO.		<b>eccentric shaft assembly 1</b>					
REV	REVISION	DATE	BY	DATE	BY	DATE	BY	DATE	BY	DATE	BY

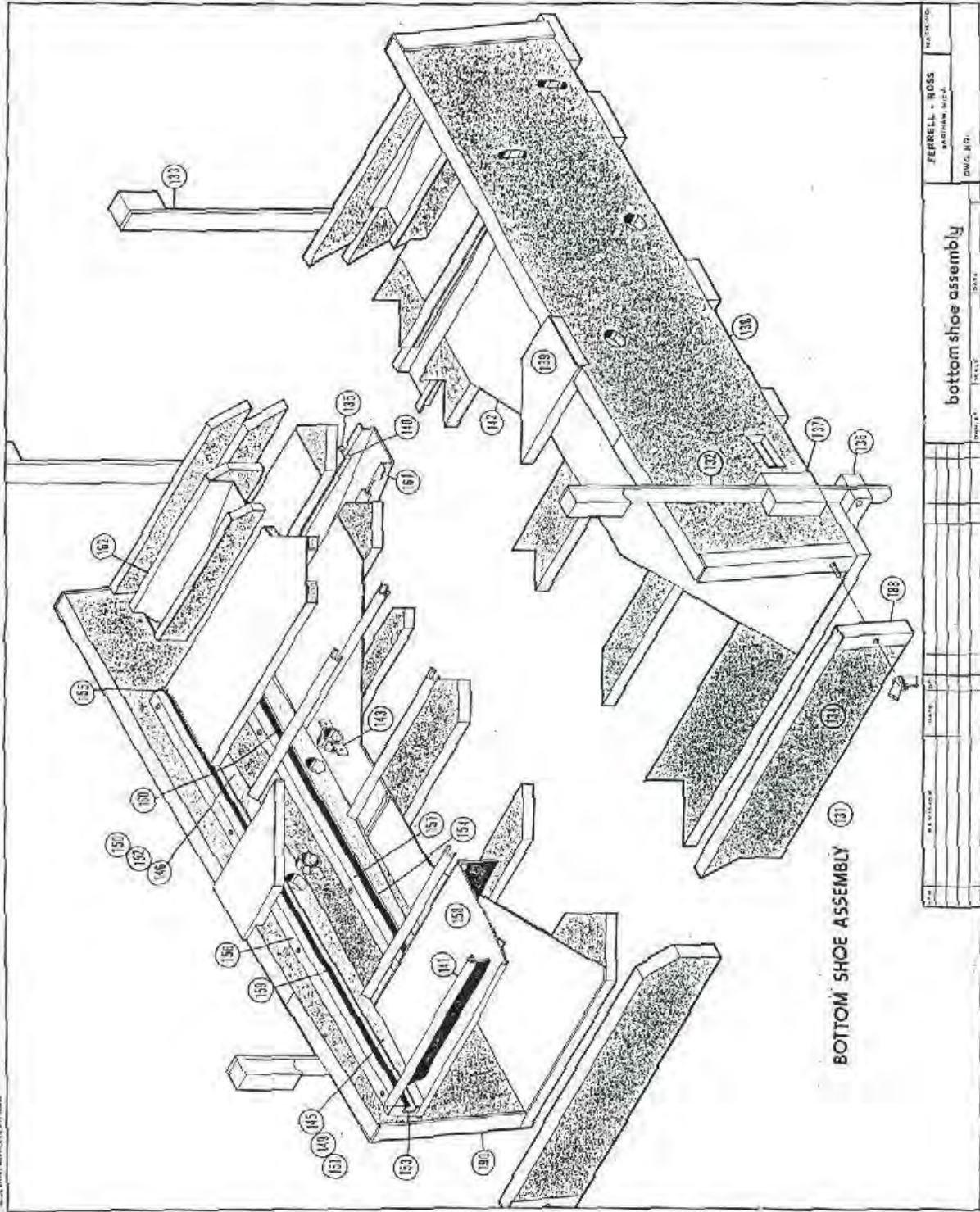


REV.		REVISION		DATE	BY	DWG. NO. 105		DATE 11-2-78		DWG. NO.	
						eccentric shaft assembly 2				MACH. NO.	
										FERRELL - ROSS	
										BAGINAW, MICH	
										OWG. NO.	

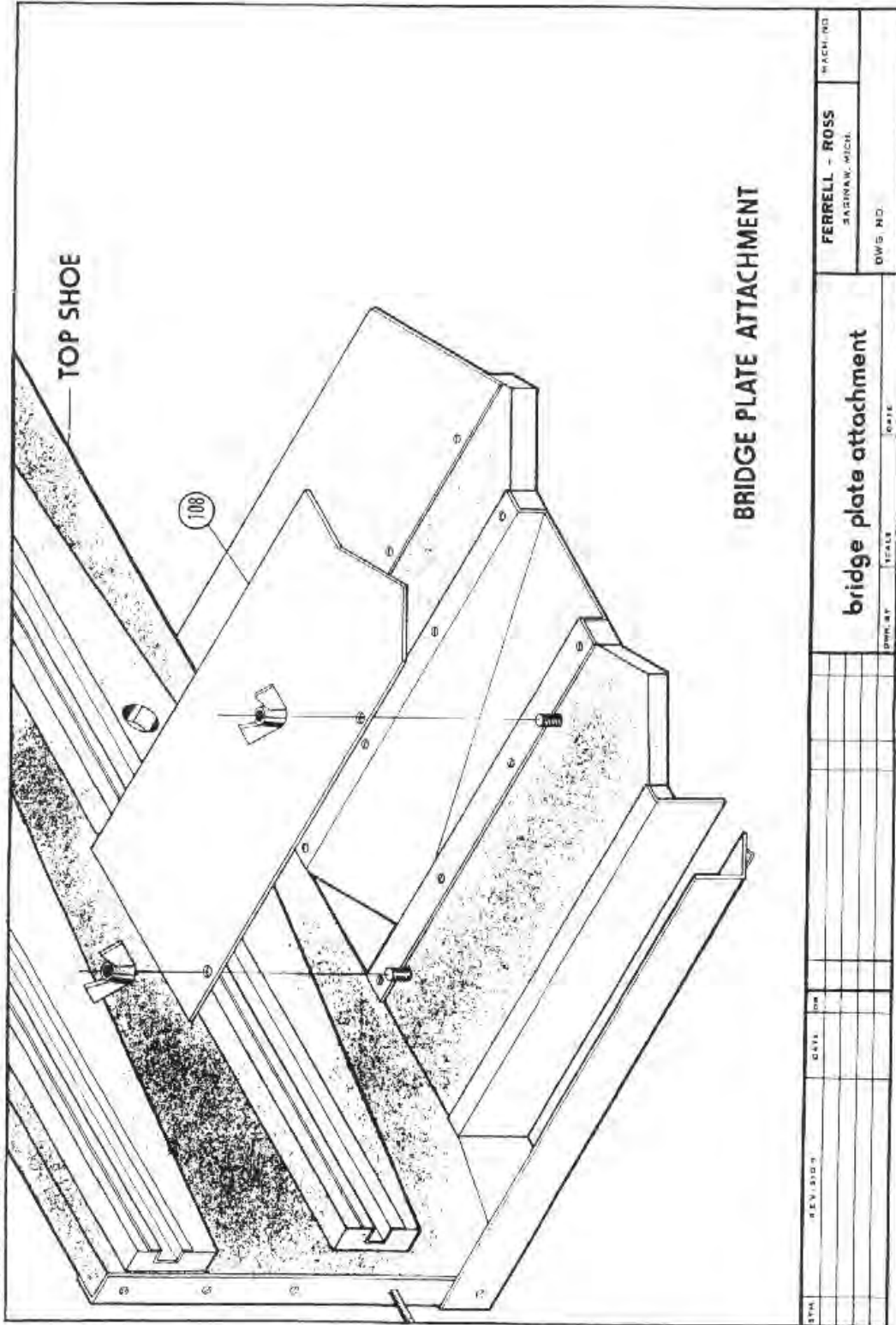








FERRELL - BOSS	
bottom shoe assembly	
DWG. NO.	
REV.	
DATE	
DRAWN BY	
CHECKED BY	
APPROVED BY	
SCALE	
SHEET NO.	
TOTAL SHEETS	

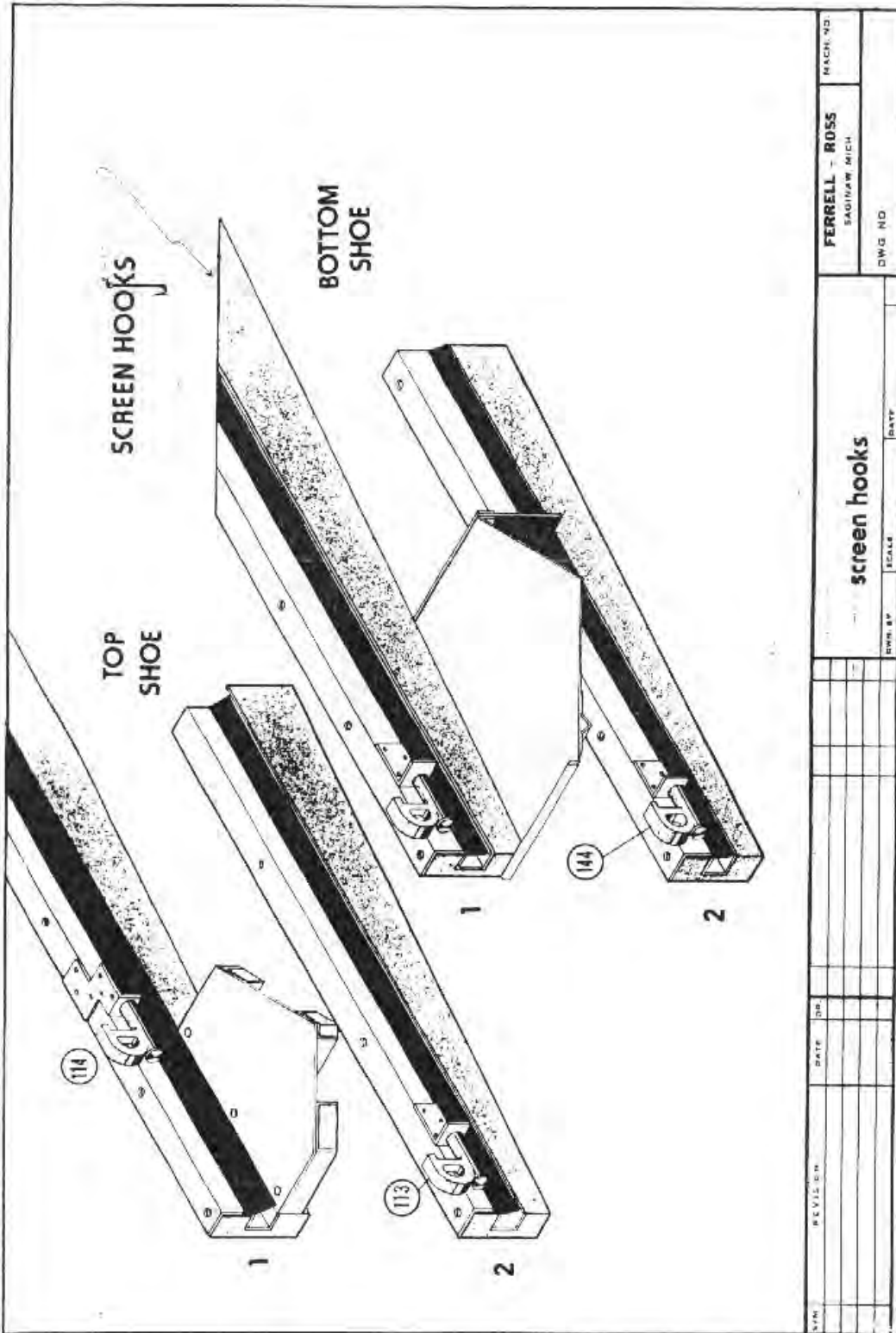


TOP SHOE

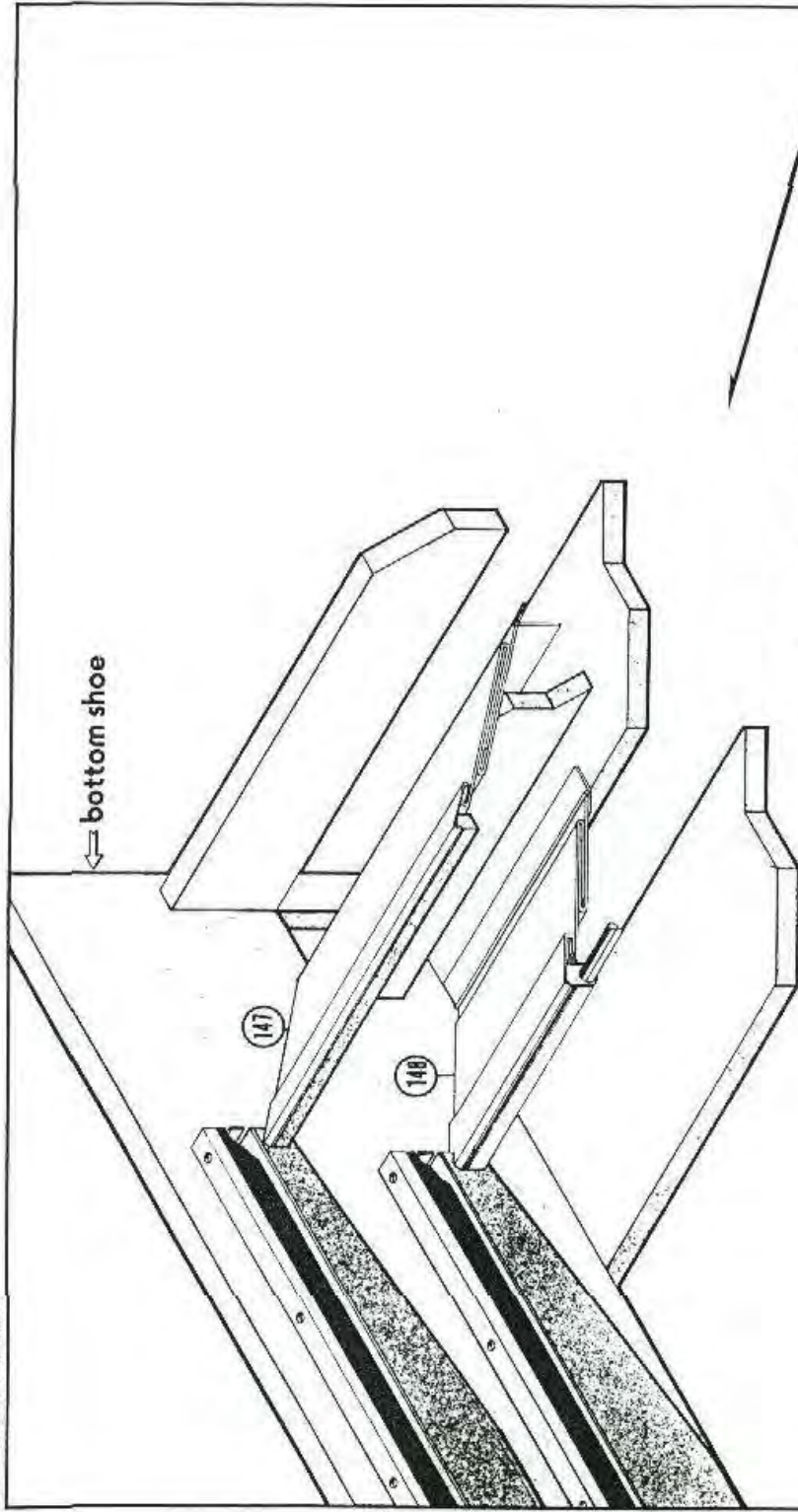
108

BRIDGE PLATE ATTACHMENT

DATE	REV	DATE	REV	DATE	REV	DATE	REV	DATE	REV
FERRELL - ROSS					bridge plate attachment				
SABINAW. MICH.									
DWS NO.									
DWS NO.									

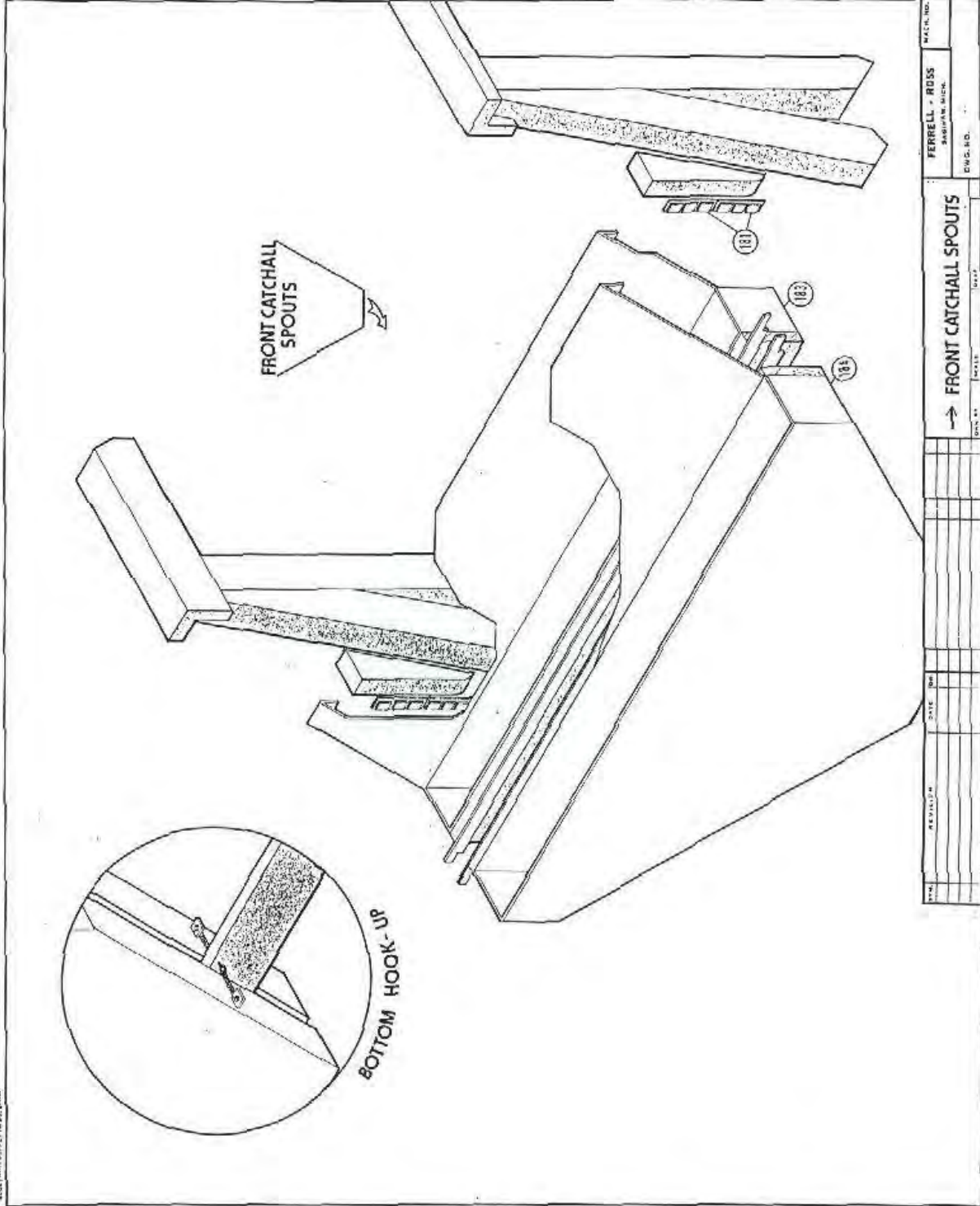


BLUE PRINT SUPPLY COMPANY, INC.

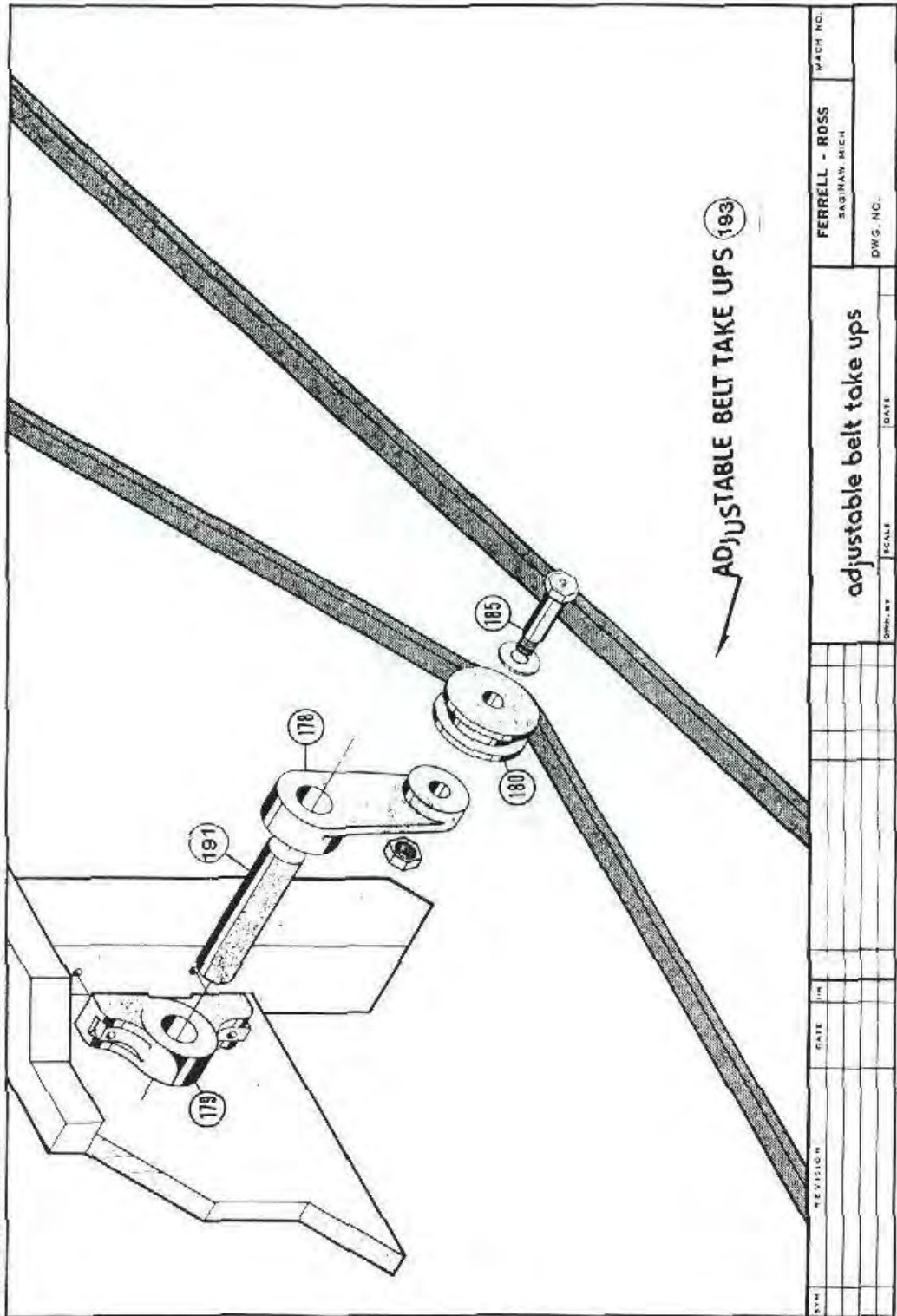


### ARRANGEMENT FOR TELESCOPIC APRONS

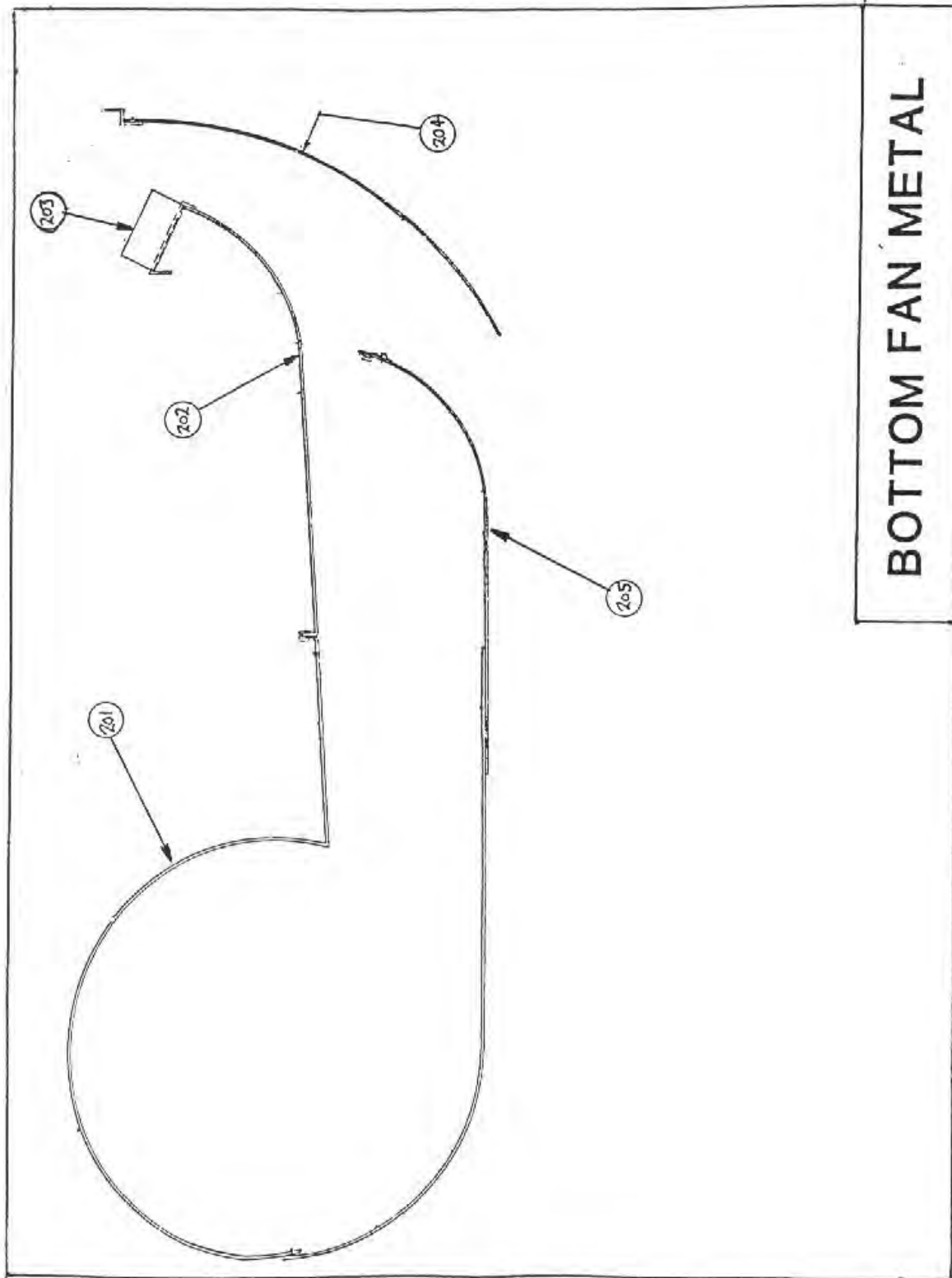
SYM	REVISION	DATE	BY	SCALE	DATE	FERRELL - ROSS		MECH. NO
						SAGINAW, MICH		
DRAWN BY						DWG. NO		
arrangement for telescopic aprons,								



FERRELL - ROSS SHAUNAN MICH.		DATE	NO.
EING. NO.		DATE	NO.
↑ FRONT CATCHALL SPOUTS		DATE	NO.
REV.	DESCRIPTION	DATE	NO.

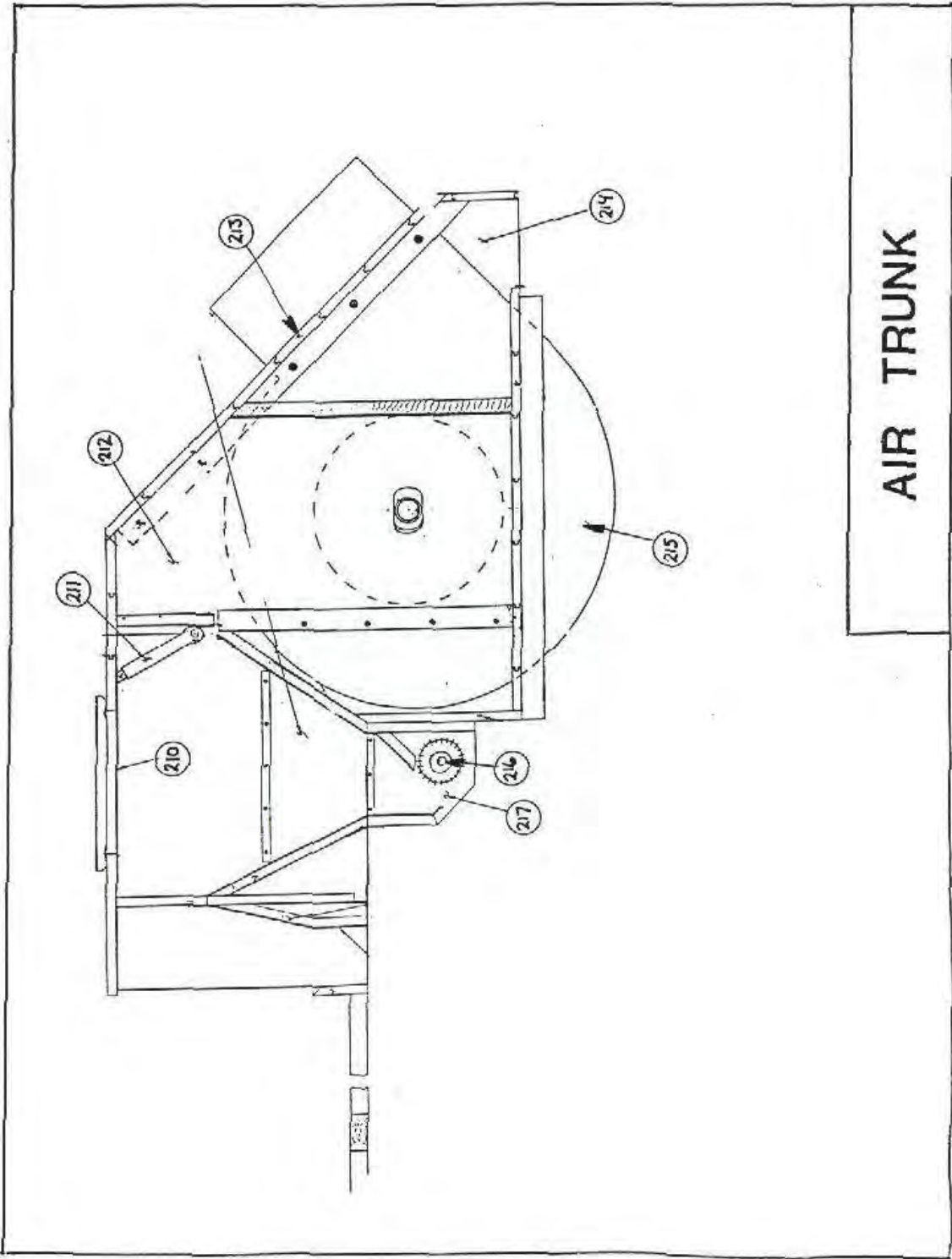


SYN		REVISION		DATE	BY	DRAWN BY		SCALE		DATE		
adjustable belt take ups											DWS - NC.	
FERRELL - ROSS SASINAW, MICH											MACH NO.	



**BOTTOM FAN METAL**

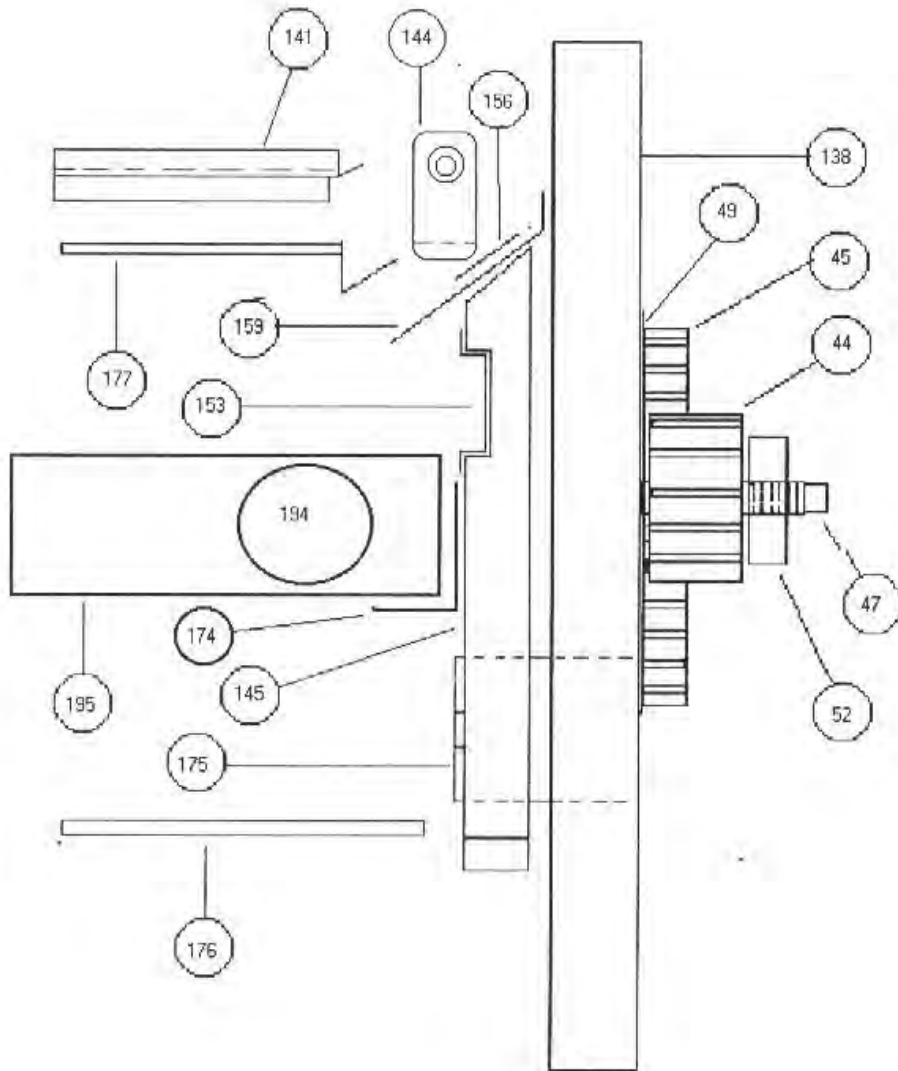
25

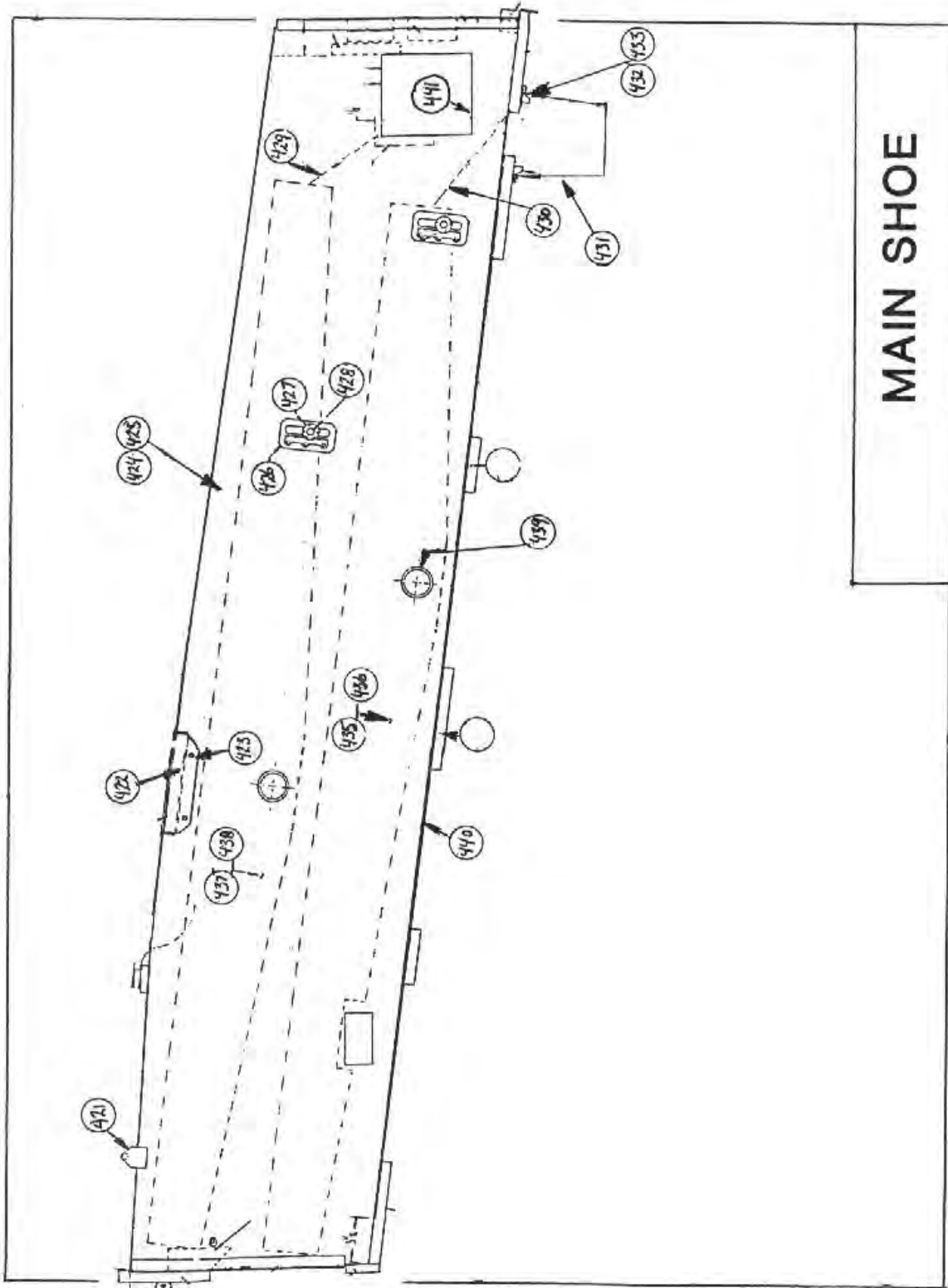


AIR TRUNK



# Rocker Assembly View Ball Trays





MAIN SHOE