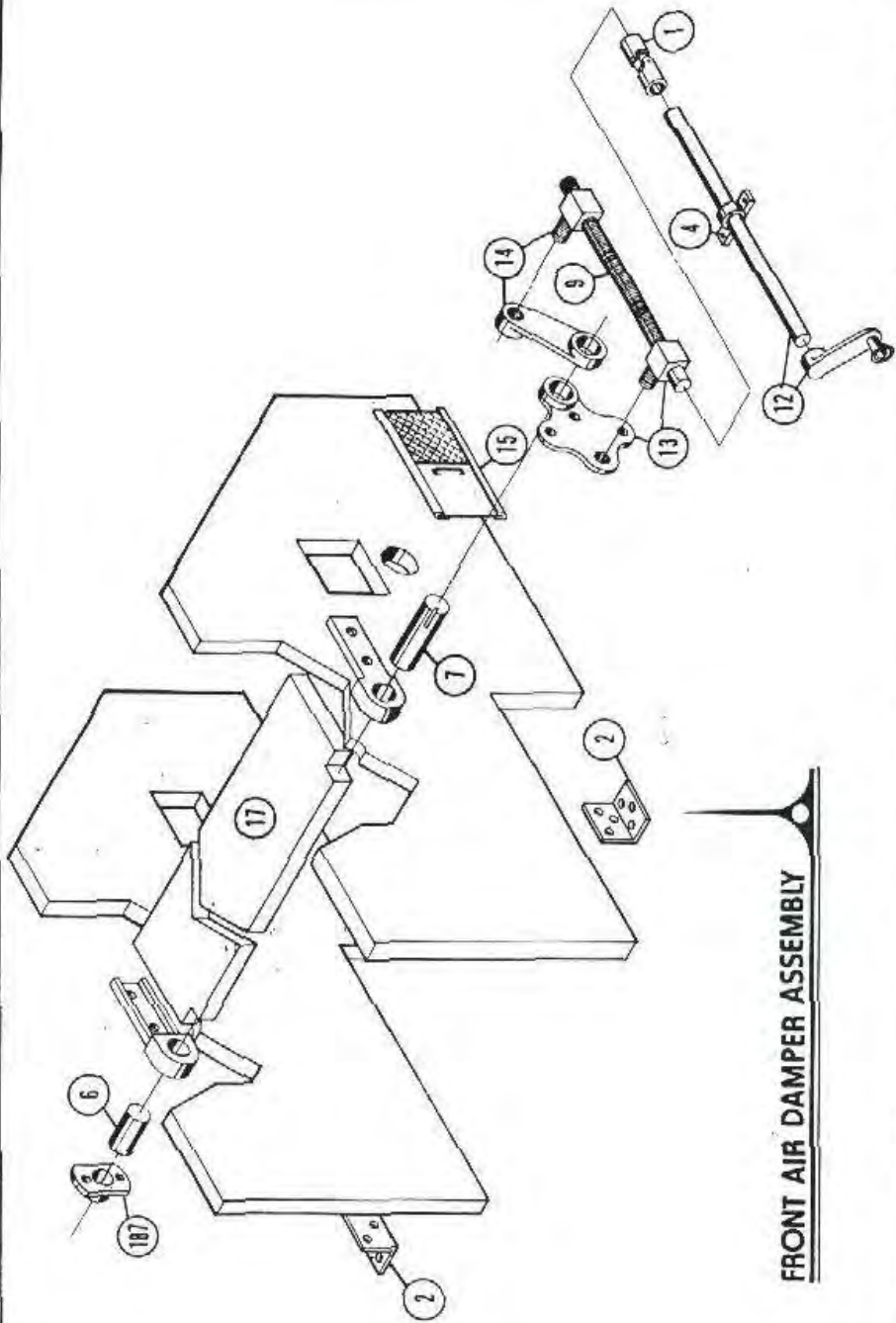


BLUE PRINT SUPPLY & CO. INC. N.Y.

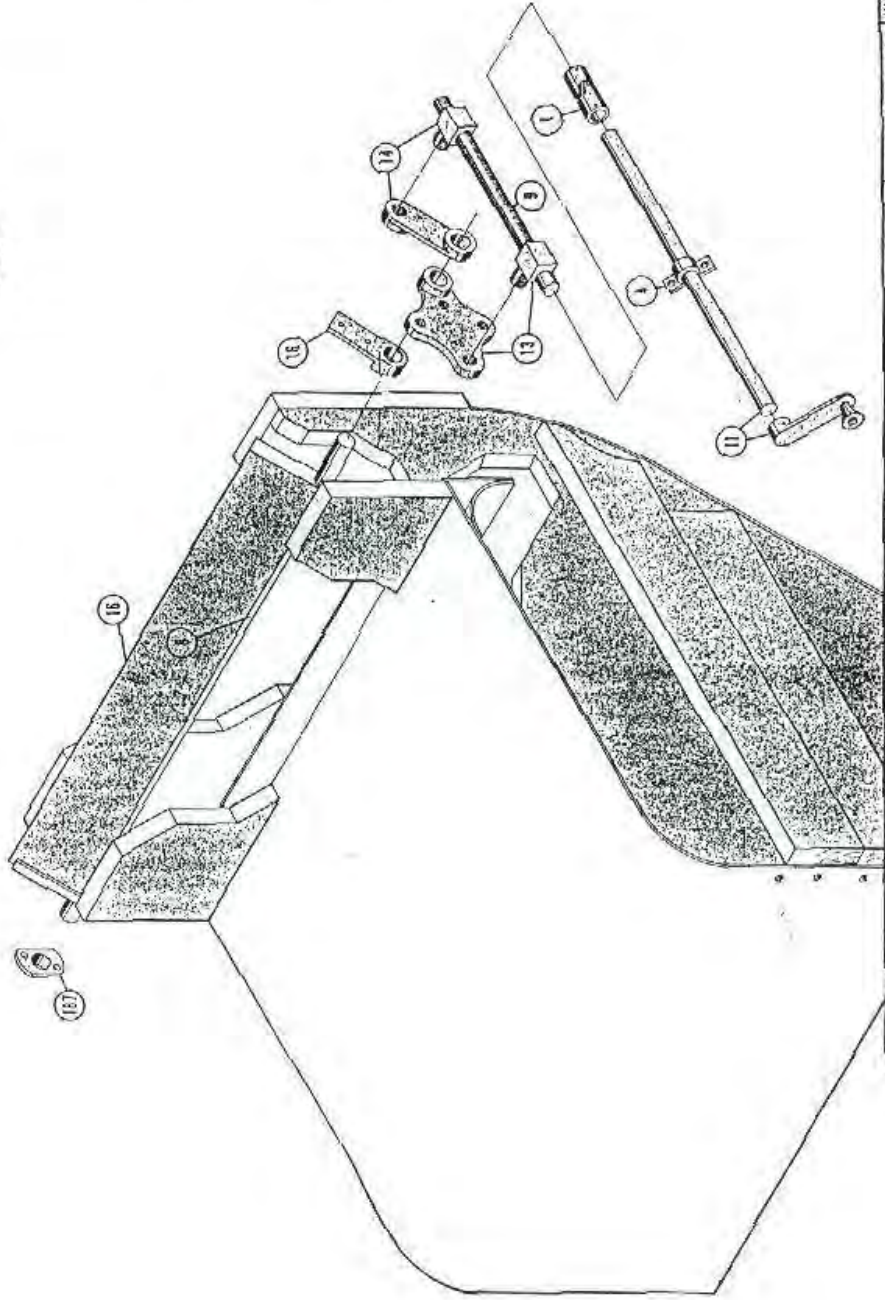


FRONT AIR DAMPER ASSEMBLY

SYM		REVISION	DATE	ON	DATE	SCALE	DATE	
front air damper assembly								
FERRELL - ROSS				MICH. NO.				
SAGINAW MICH.				DWG. NO.				

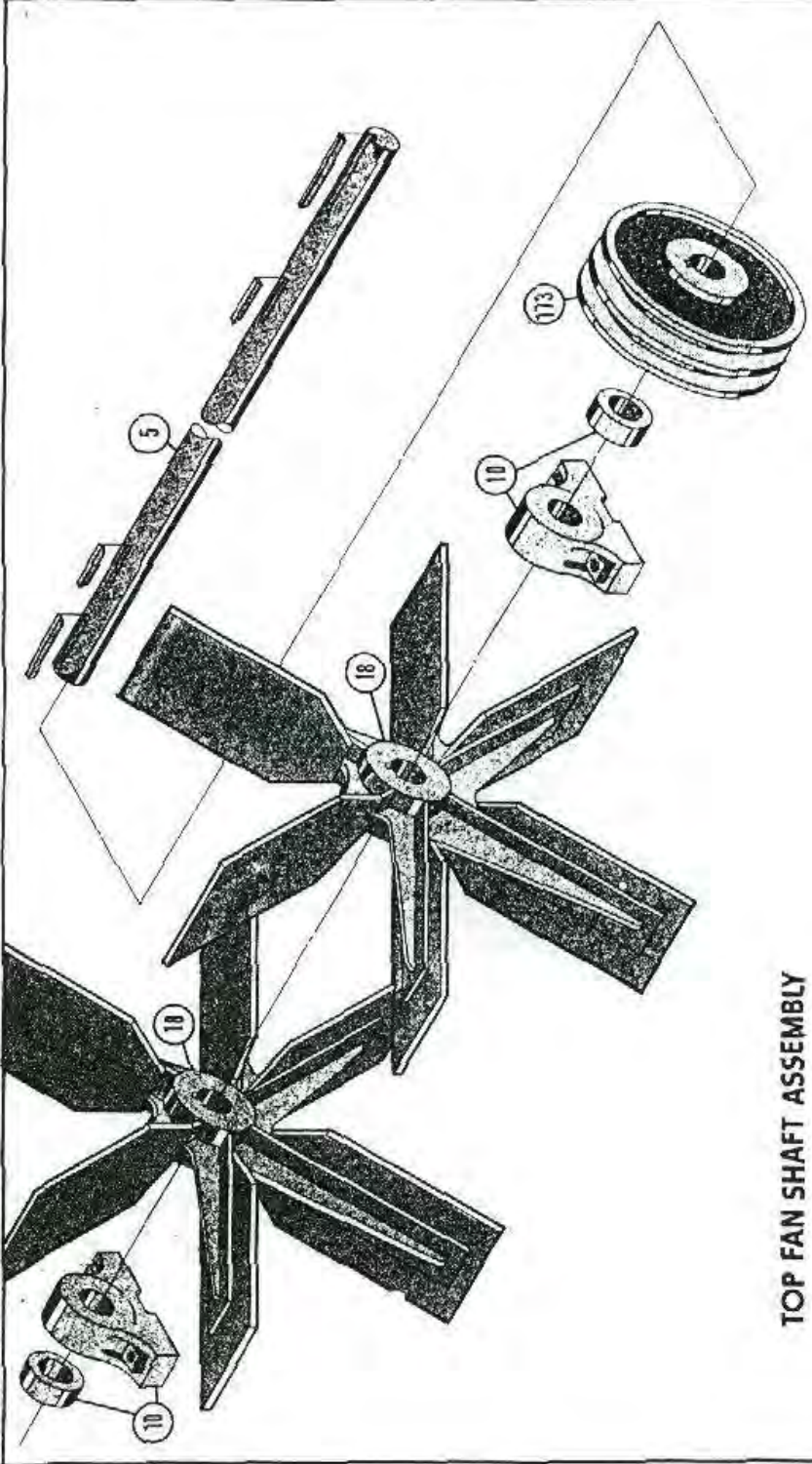
© 1971 Fenell - Ross Engineering, Inc. All rights reserved.

BACK AIR DAMPER : TOP FAN SECTION



DATE		DRAWN		CHECKED		APPROVED		DATE	
back air damper									
FENELL - ROSS					EAGLEVILLE, TN.				
ENGINEERING					CORPORATION				
Dwg. No.									
Mfg. No.									

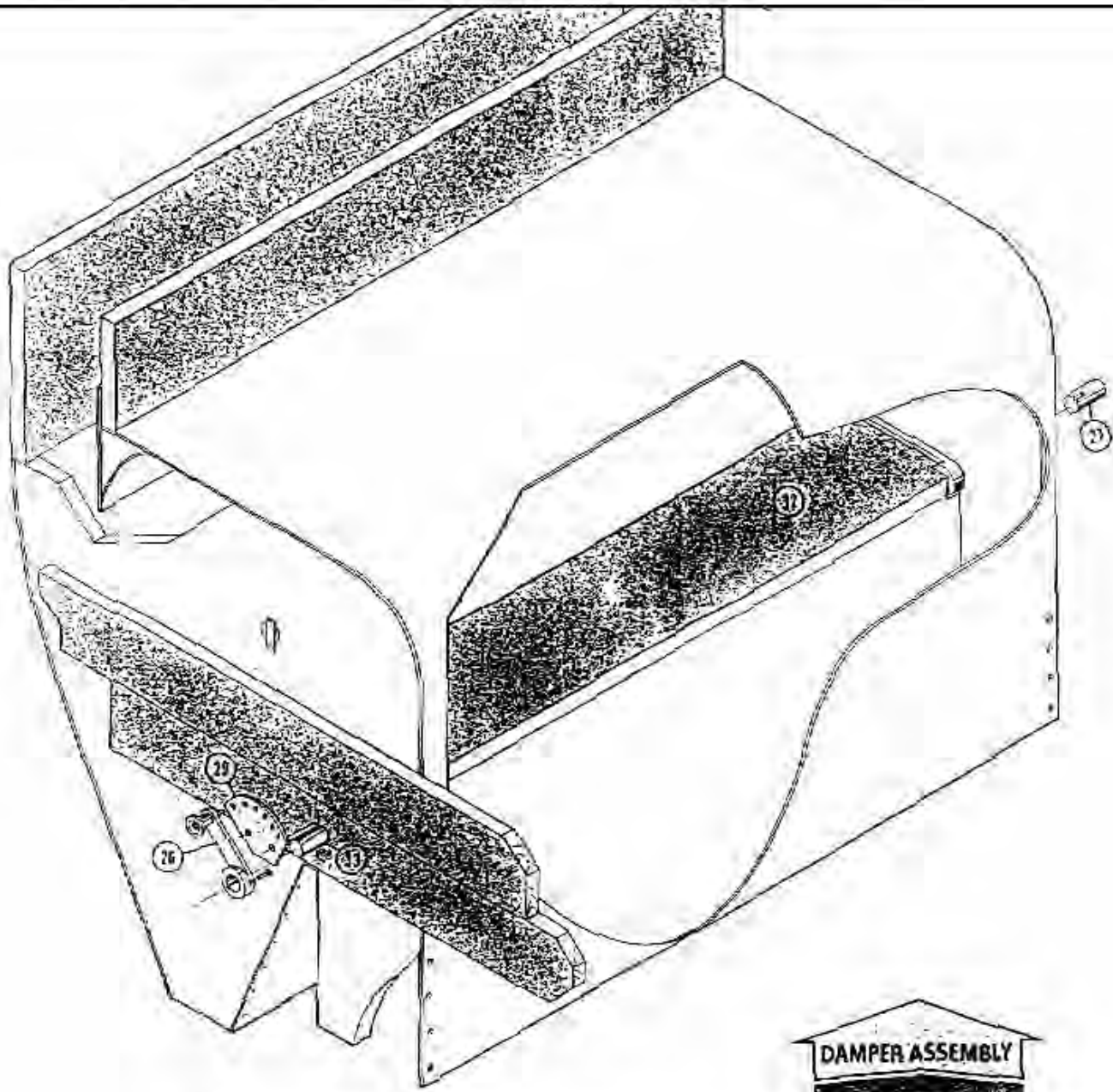
SCALE PRINT SUPPLY 1501 E. PINE ST. TX



TOP FAN SHAFT ASSEMBLY

REV.	REVISION	DATE	BY	DATE	SCALE	0-28-77	DATE	DWG. NO.	FERRELL - ROSS SAGINAW, MICH.	MACH. NO.

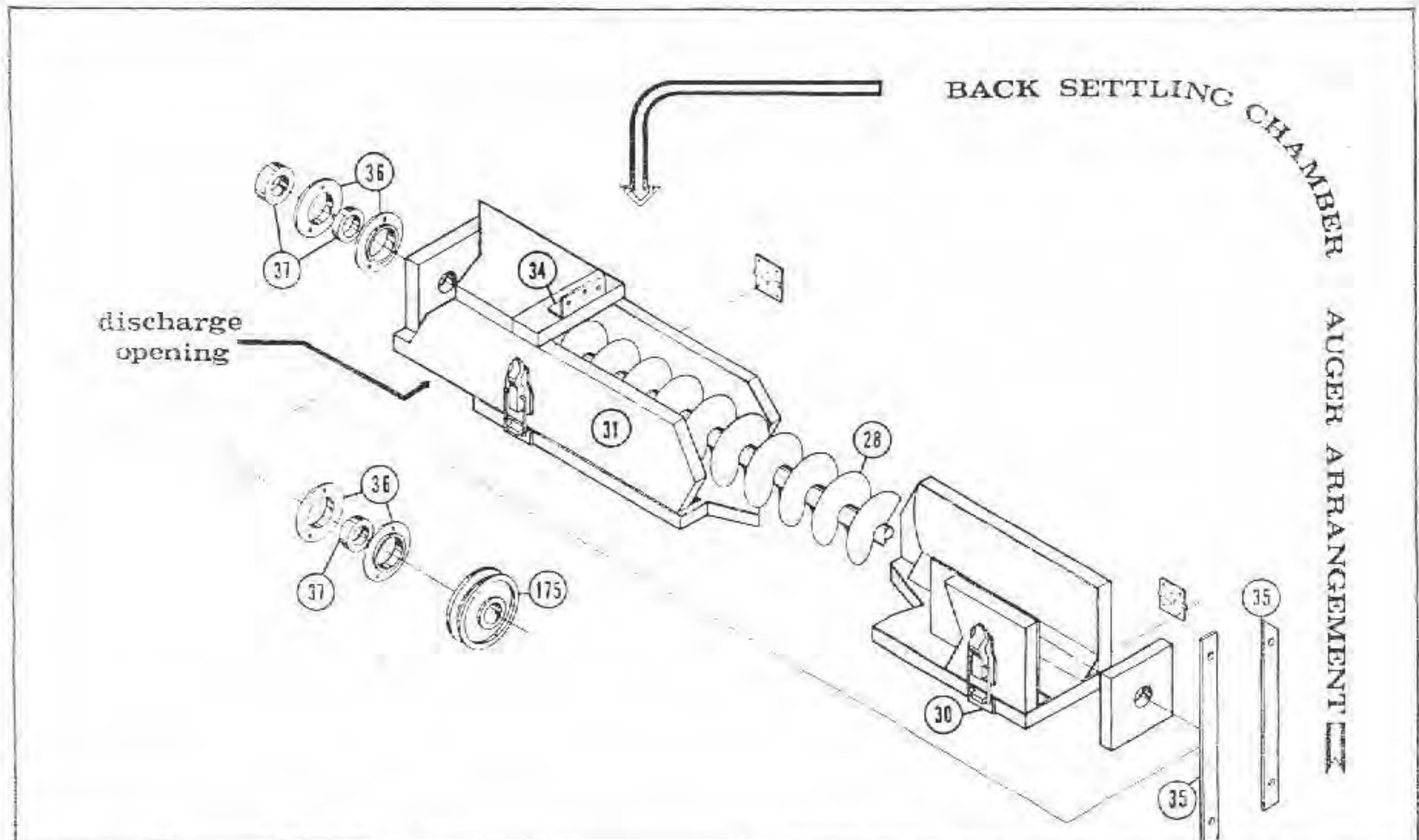
5



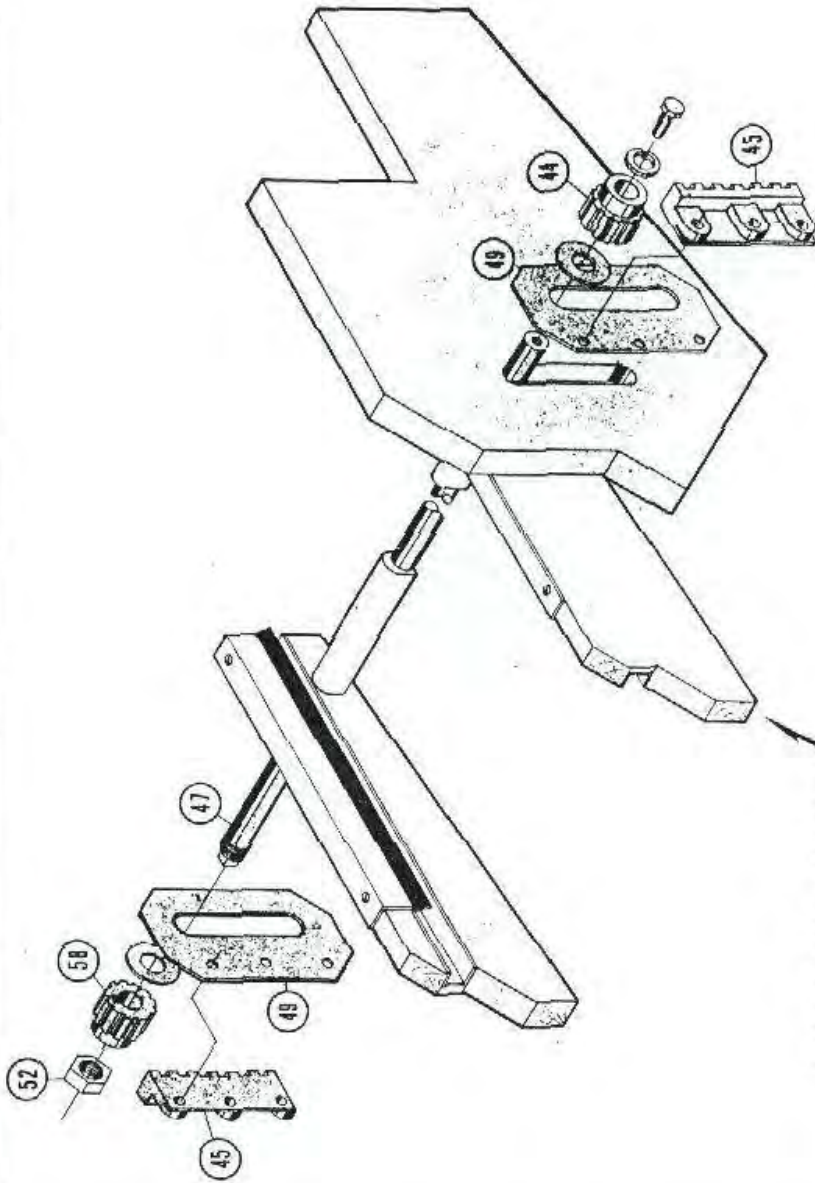
DAMPER ASSEMBLY

REV	DATE	BY	CHKD	APP'D	DESCRIPTION	FERRELL - ROSS	WORK NO.
					damper assembly	WATER WORKS	
						DWR NO.	

6



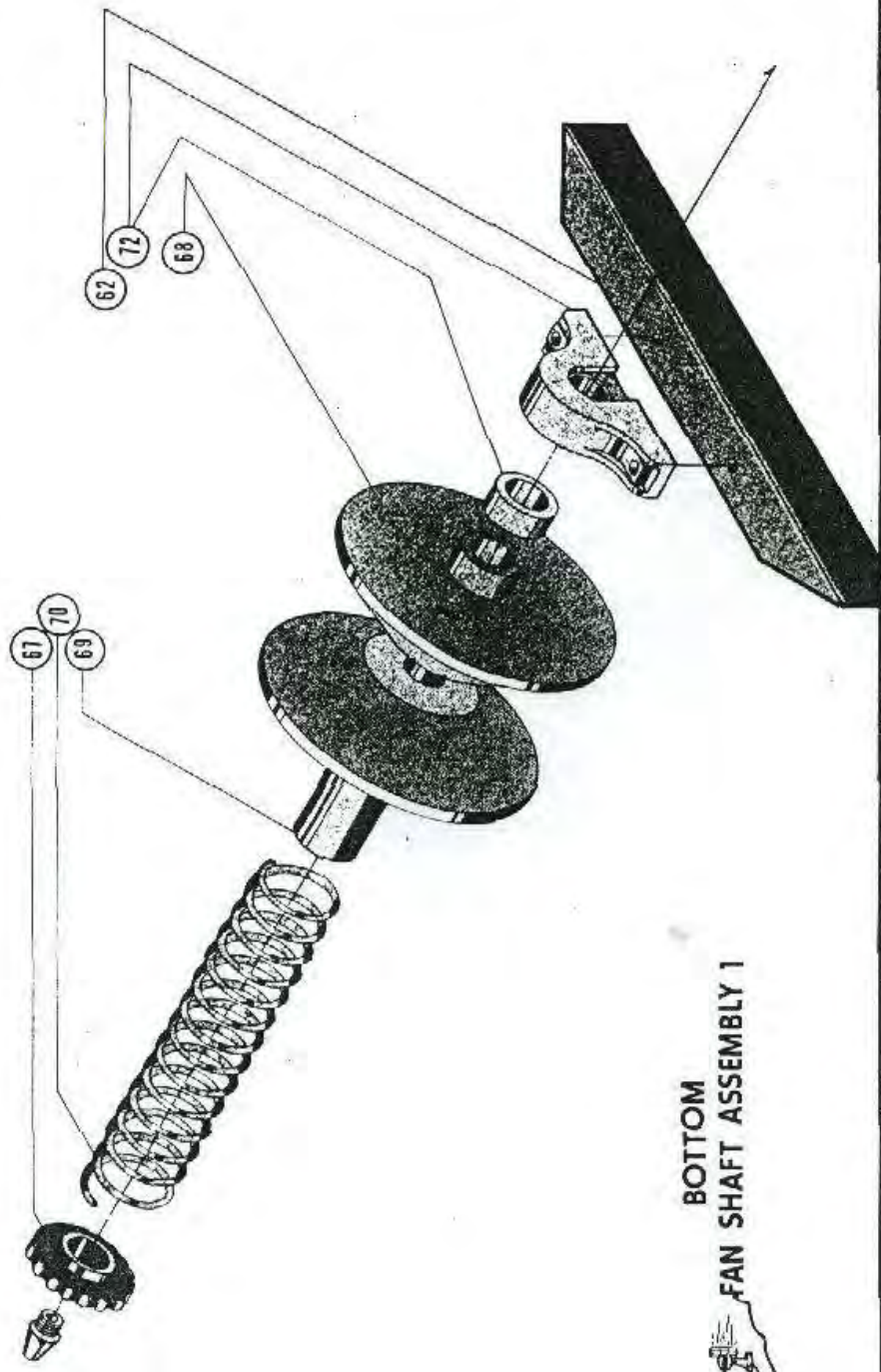
REV	REVISION	DATE	BY	APP	<p style="text-align: center;">back settling chamber auger arrangement</p>	<p style="text-align: center;">FERRELL - ROSS SAGINAW MICH.</p>	<p>MACH NO.</p>
					<p>OWN BY JDS SCALE</p>	<p>DATE 12-28-72</p>	<p>DWG NO.</p>



TILTING ROD ASSEMBLY

REV.	REVISION	DATE	DR.	DATE	DR.	DRAWN BY	SCALE	DATE
tilting rod assembly								
FERRELL - ROSS SAGINAW, MICH.				MACH. NO.				
DWG. NO.								

Scale: 1/4" = 1" (approximate)

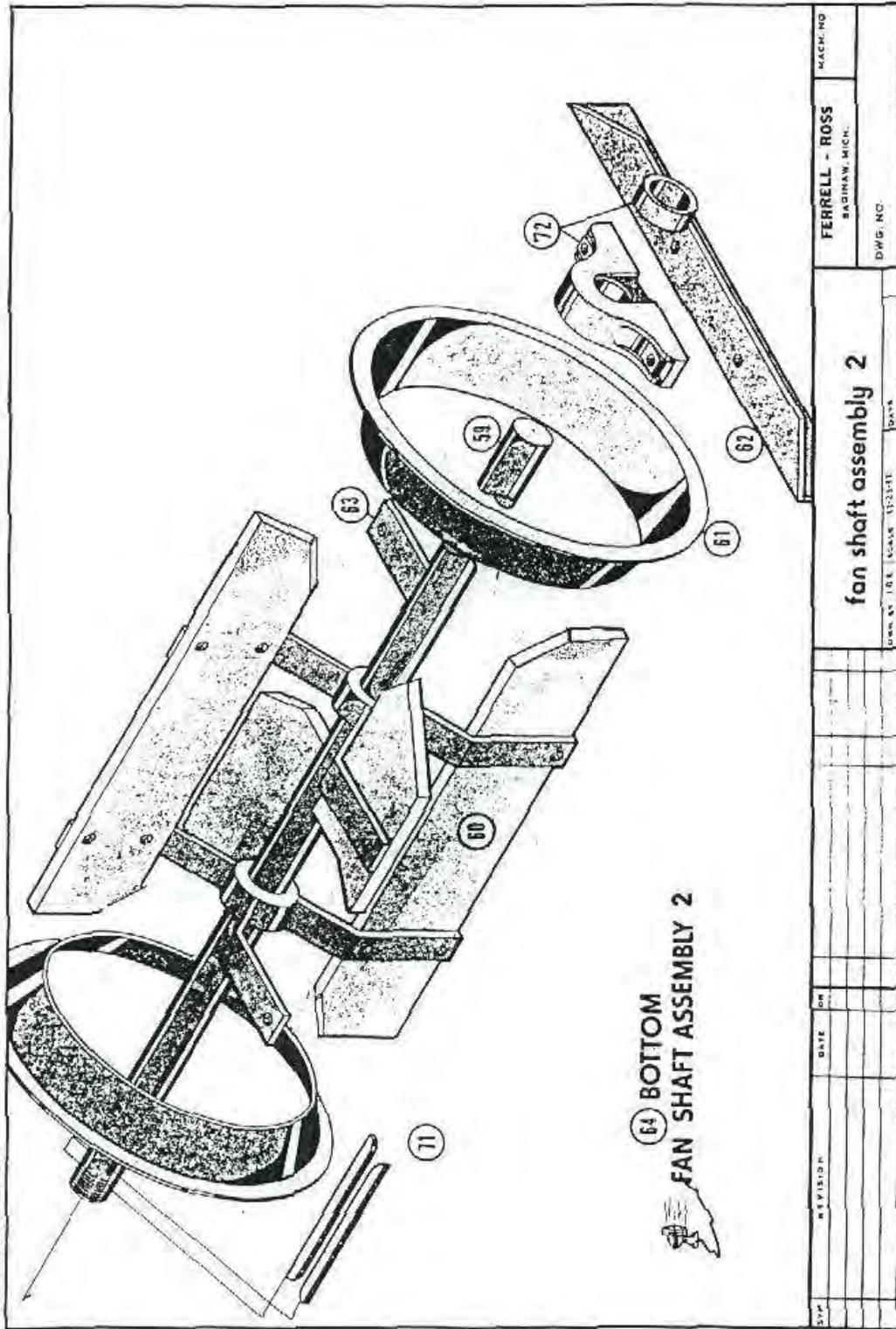


**BOTTOM
FAN SHAFT ASSEMBLY 1**

SYMBOL	DESCRIPTION	DATE	BY	DATE	BY	DATE	BY	DATE	BY	DATE	BY	DATE	BY	DATE	BY	DATE	BY	DATE	BY

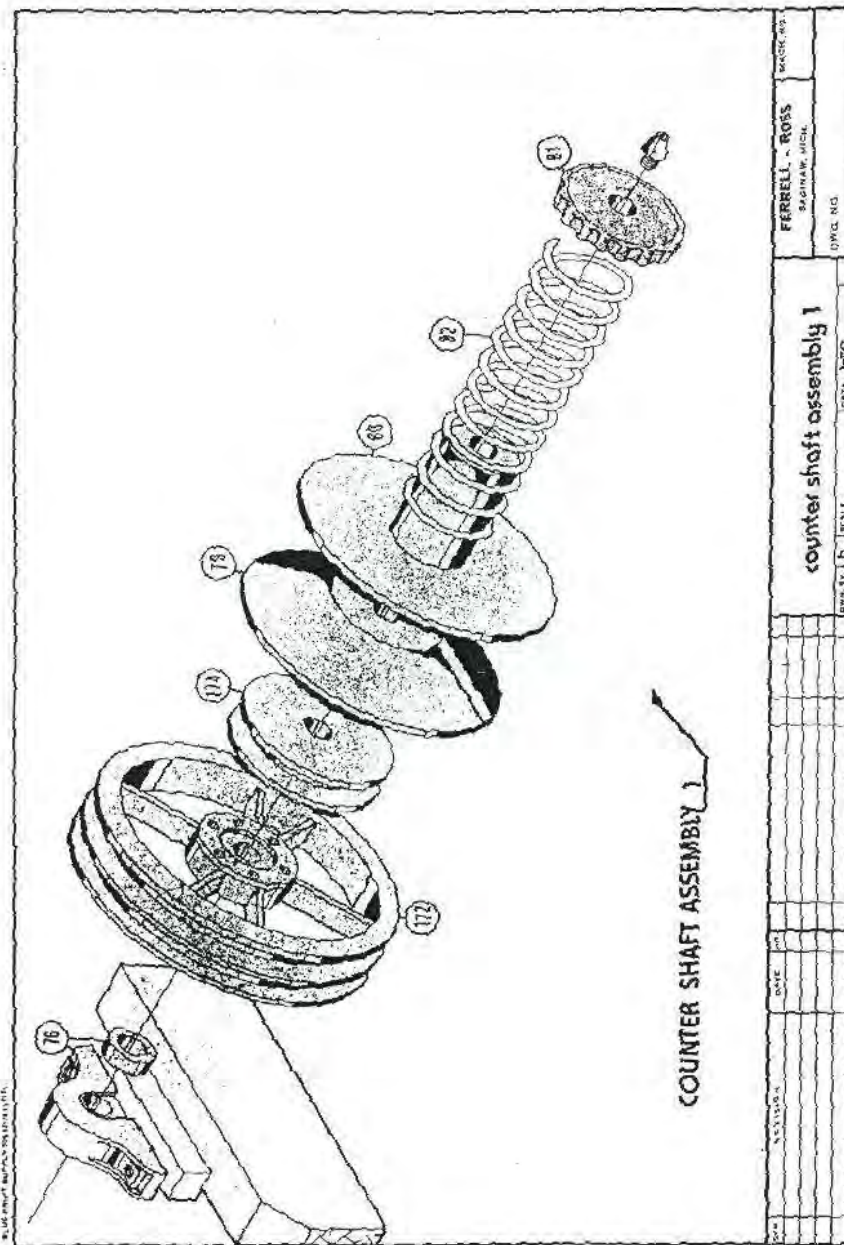
FERRELL - ROSS
SAGINAW, MICH.
DWG. NO. _____

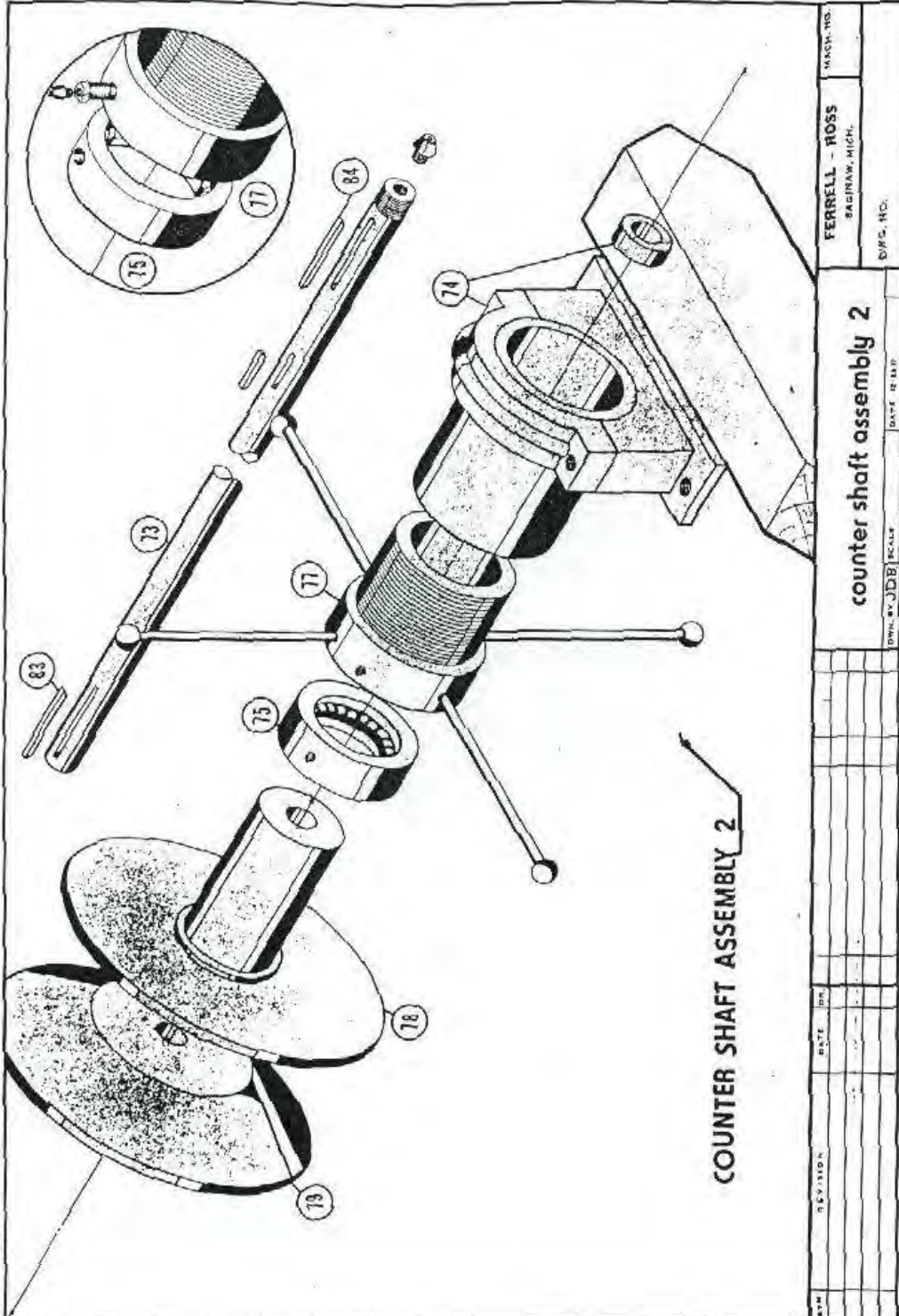
fan shaft assembly 1
DATE: 12-20-77
SCALE: _____



64 BOTTOM
FAN SHAFT ASSEMBLY 2

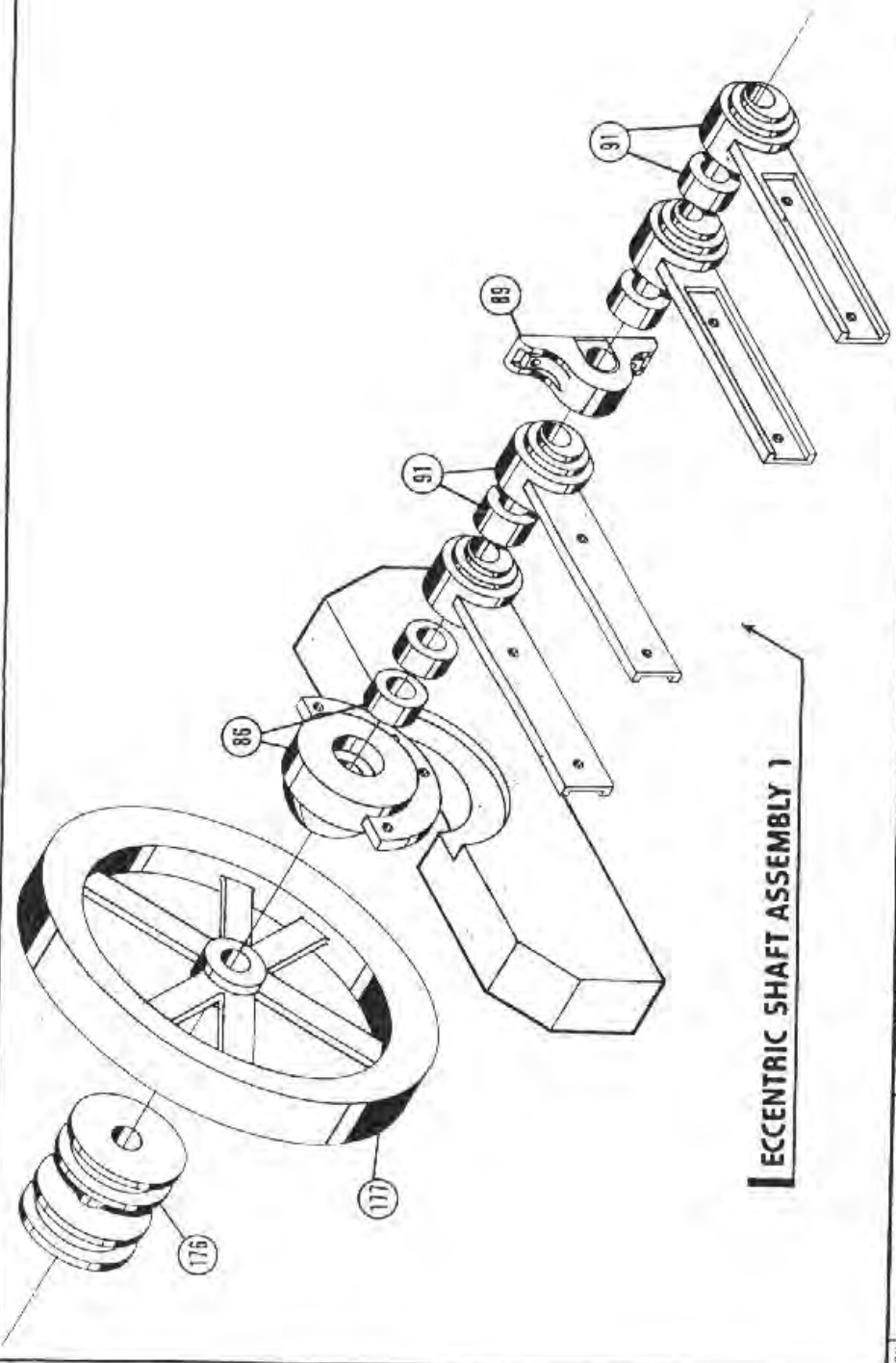
SYN		REVISION	DATE	BY	DWG. NO. 100-15000-132313	DATE	DWG. NO.	MACH. NO.
					fan shaft assembly 2		FERRELL - ROSS	
							BADING, MICH.	
							DWB, INC.	





COUNTER SHAFT ASSEMBLY 2

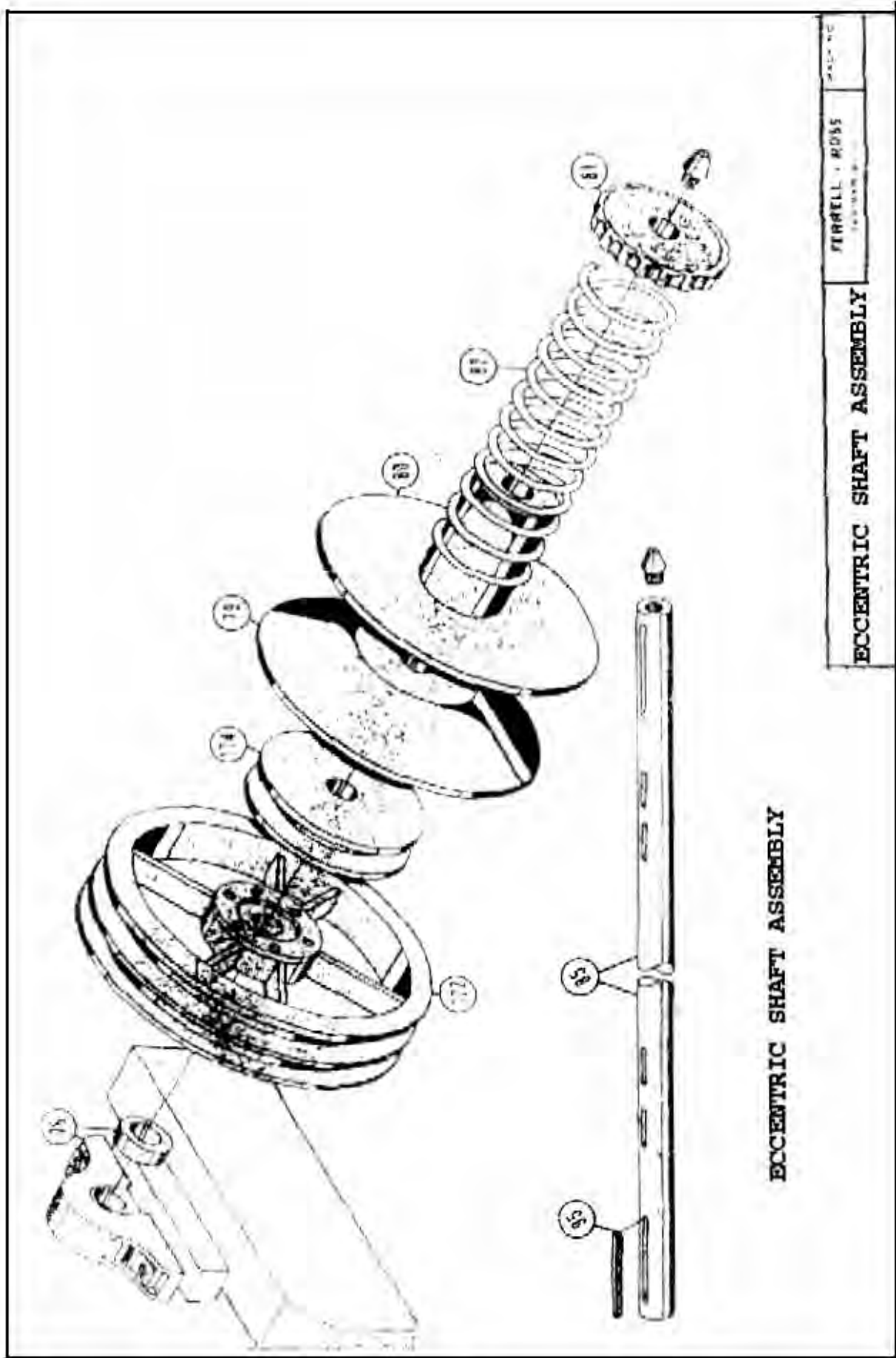
MULTIPLE VIEWS SUBMITTED UNDER 81174



REV		REVISION		DATE		SCALE		DATE		DWG. NO.		DWG. NO.	

FERRELL - ROSS
RAGINAW, MICH.

eccentric shaft assembly 1



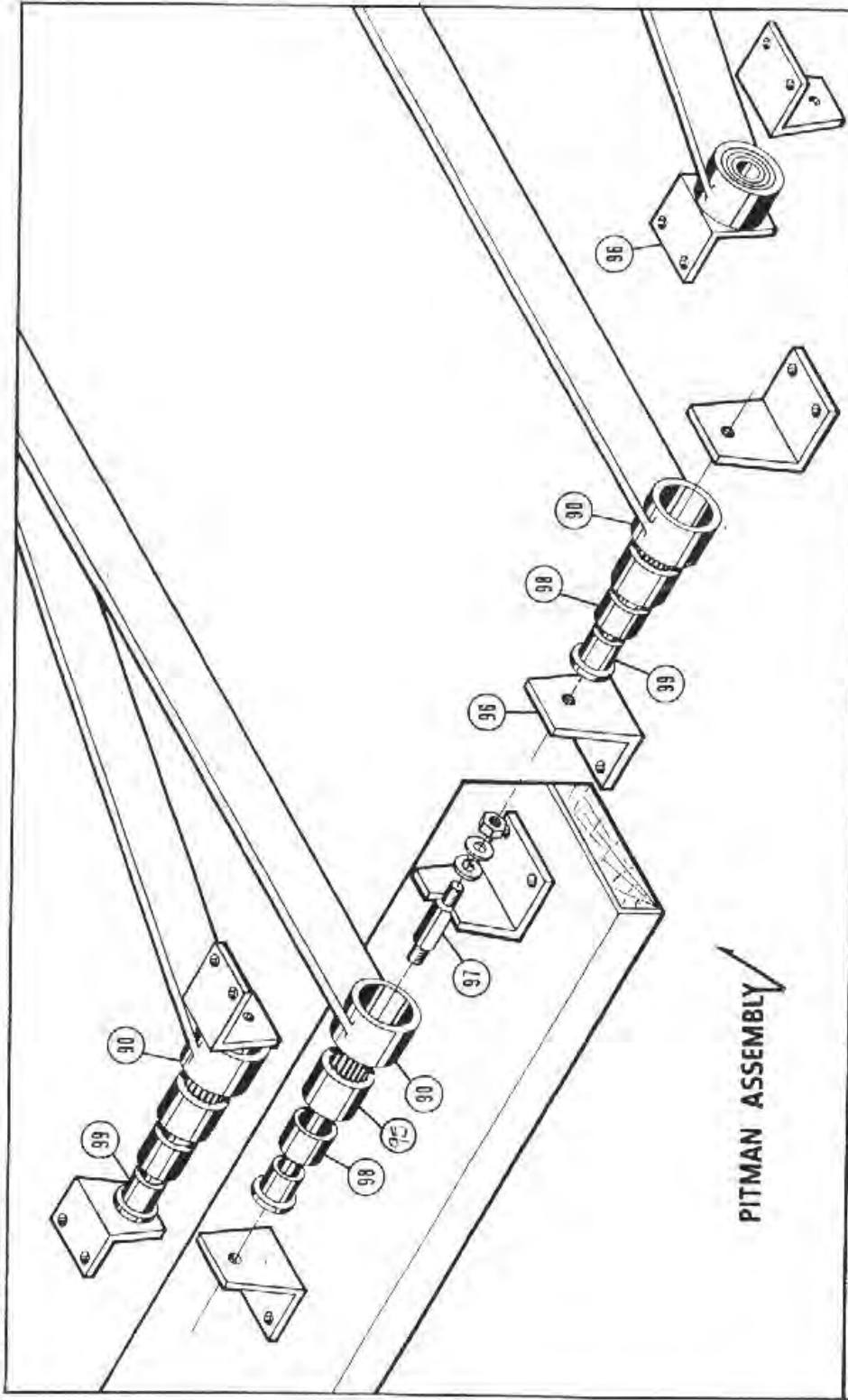
FERRELL - ROSS
INDUSTRIAL

EXCENTRIC SHAFT ASSEMBLY

EXCENTRIC SHAFT ASSEMBLY

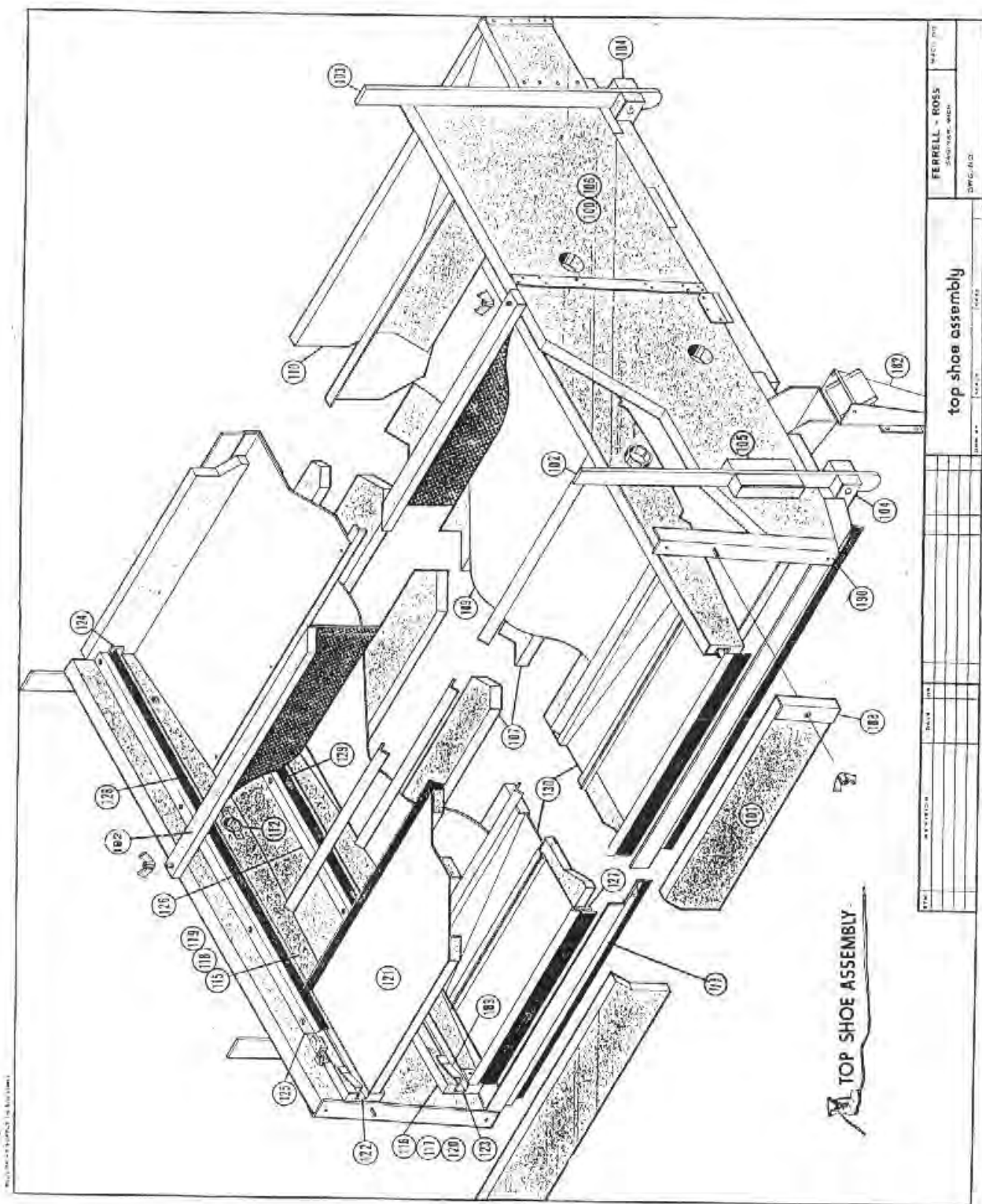
16A

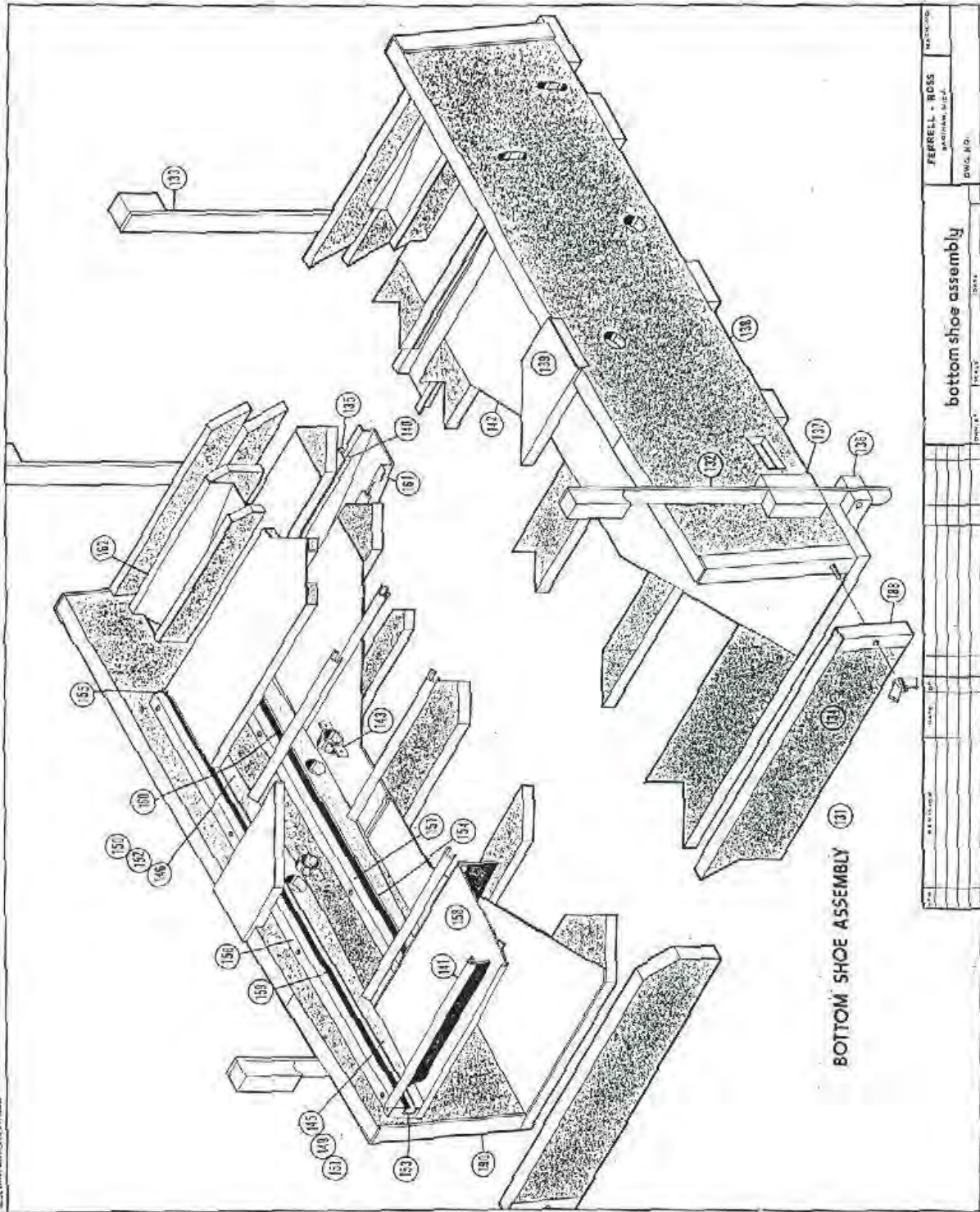
ALL DIMENSIONS UNLESS OTHERWISE SPECIFIED

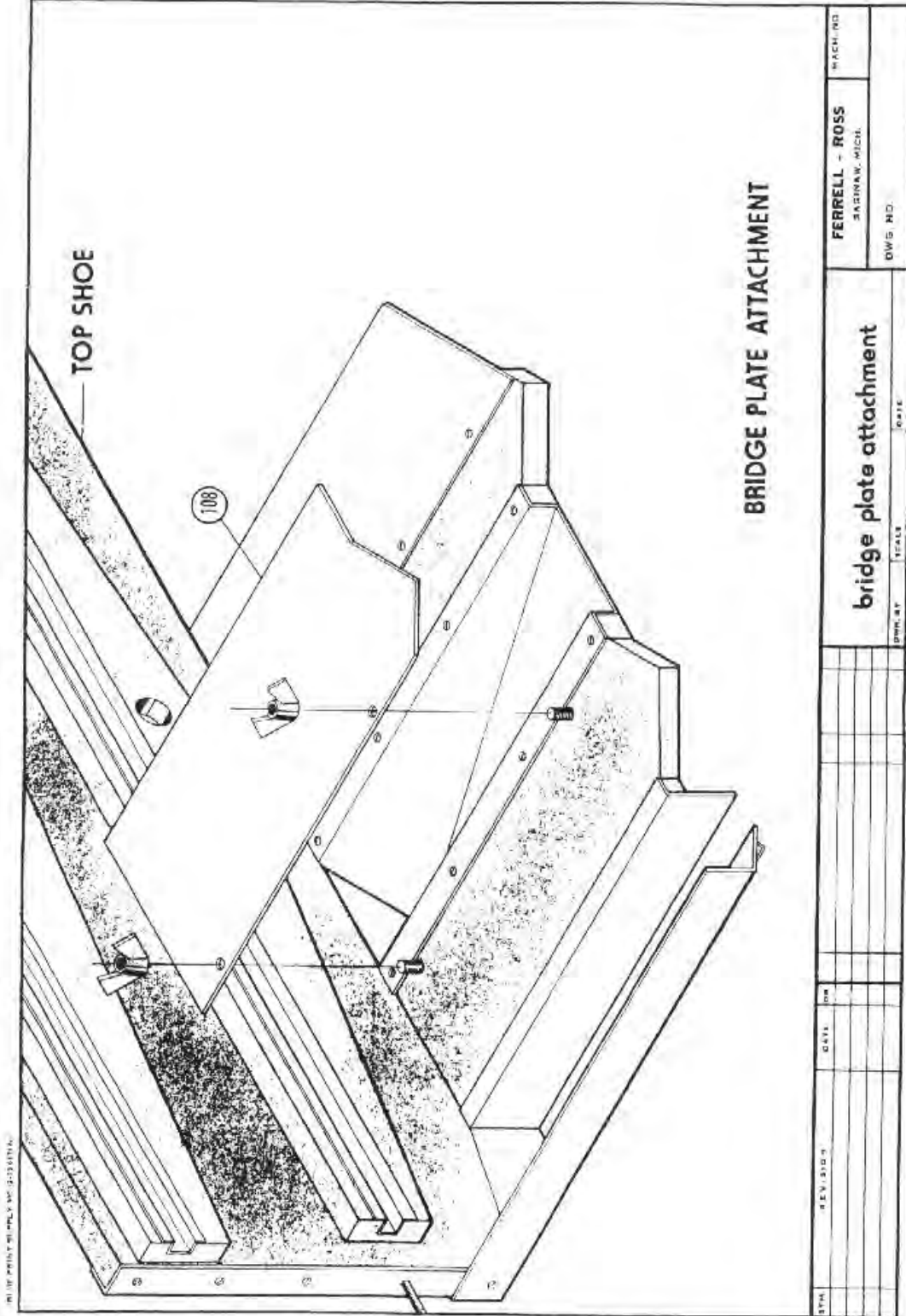


PITMAN ASSEMBLY ✓

DATE	BY	DATE	BY	DATE	BY	DATE	BY	DATE	BY	DATE	BY	DATE	BY
pitman assembly										DWG. NO.		MACH. NO.	
FERRELL - ROSS										SAGINAW, MICH.			
SCALE										DWN. BY		DATE	

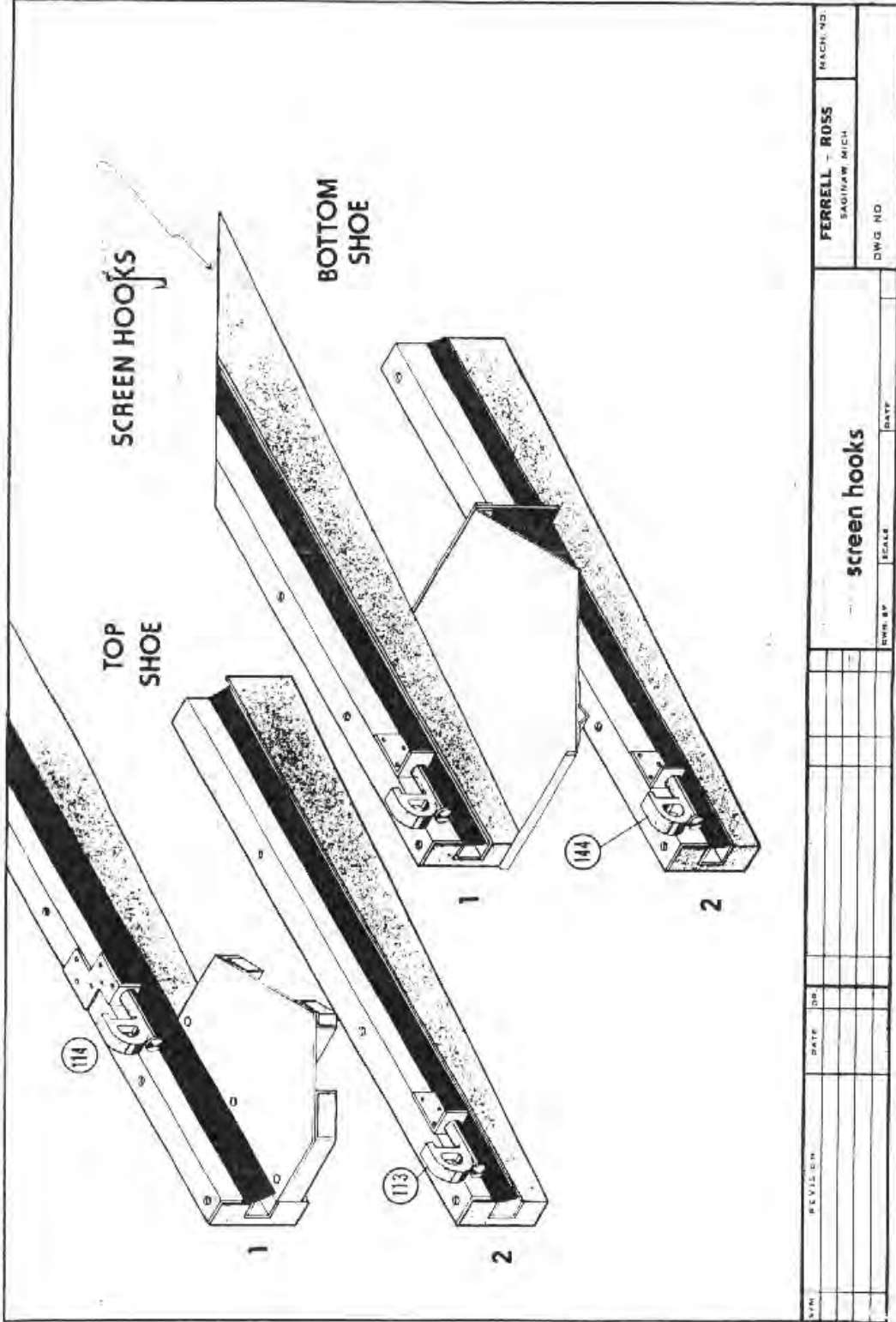






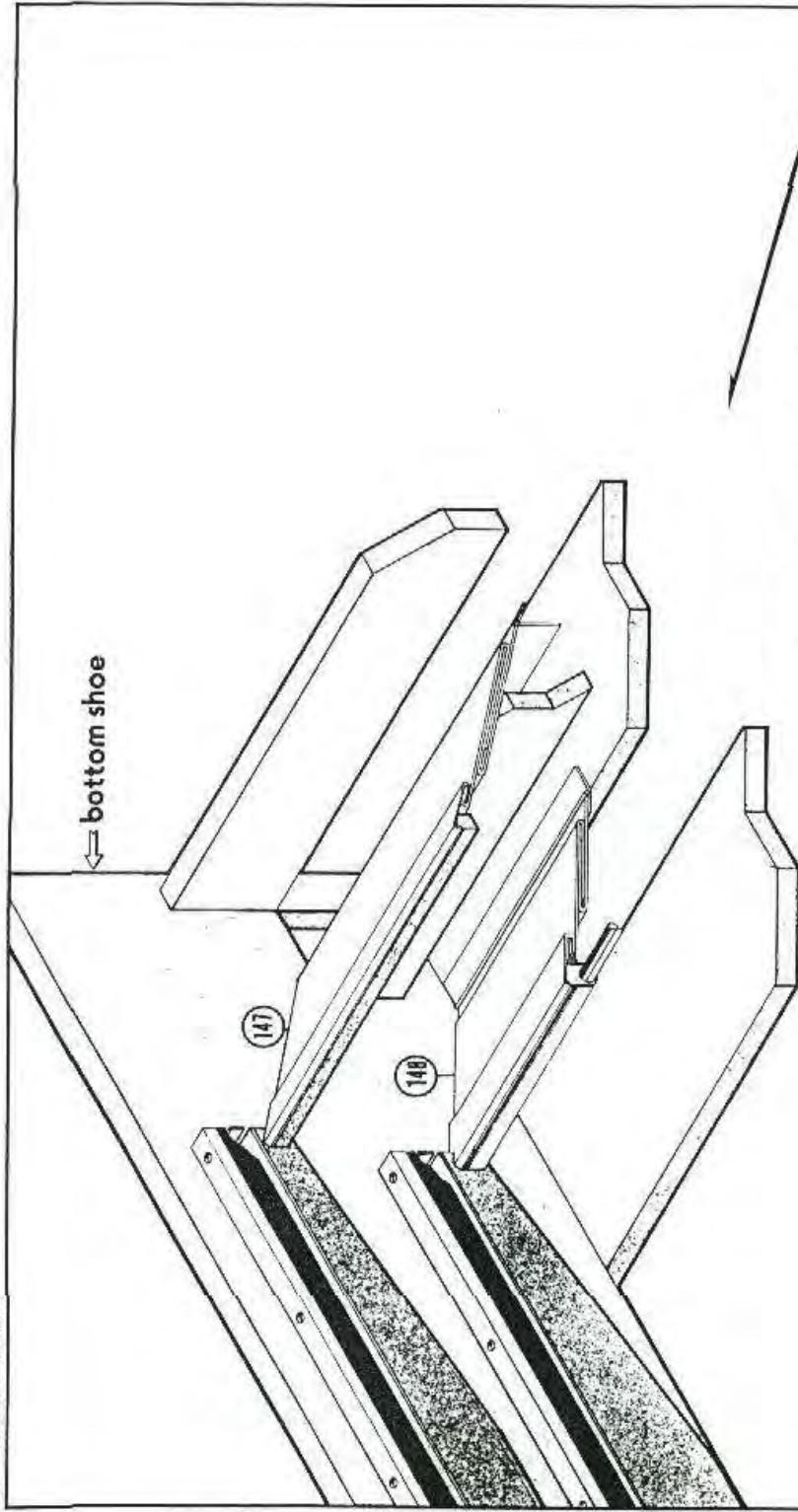
BRIDGE PLATE ATTACHMENT

DATE	REV. BY	DATE	DATE	SCALE	DATE	bridge plate attachment	DWG. NO.	FERRELL - ROSS SARINAW. MICHEL	WASH. NO.



DATE	REVISED	DATE	DRAWN BY	SCALE	DATE	DWG NO	MACH NO
						FERRELL - ROSS	
						SAGINAW MICH	
screen hooks							

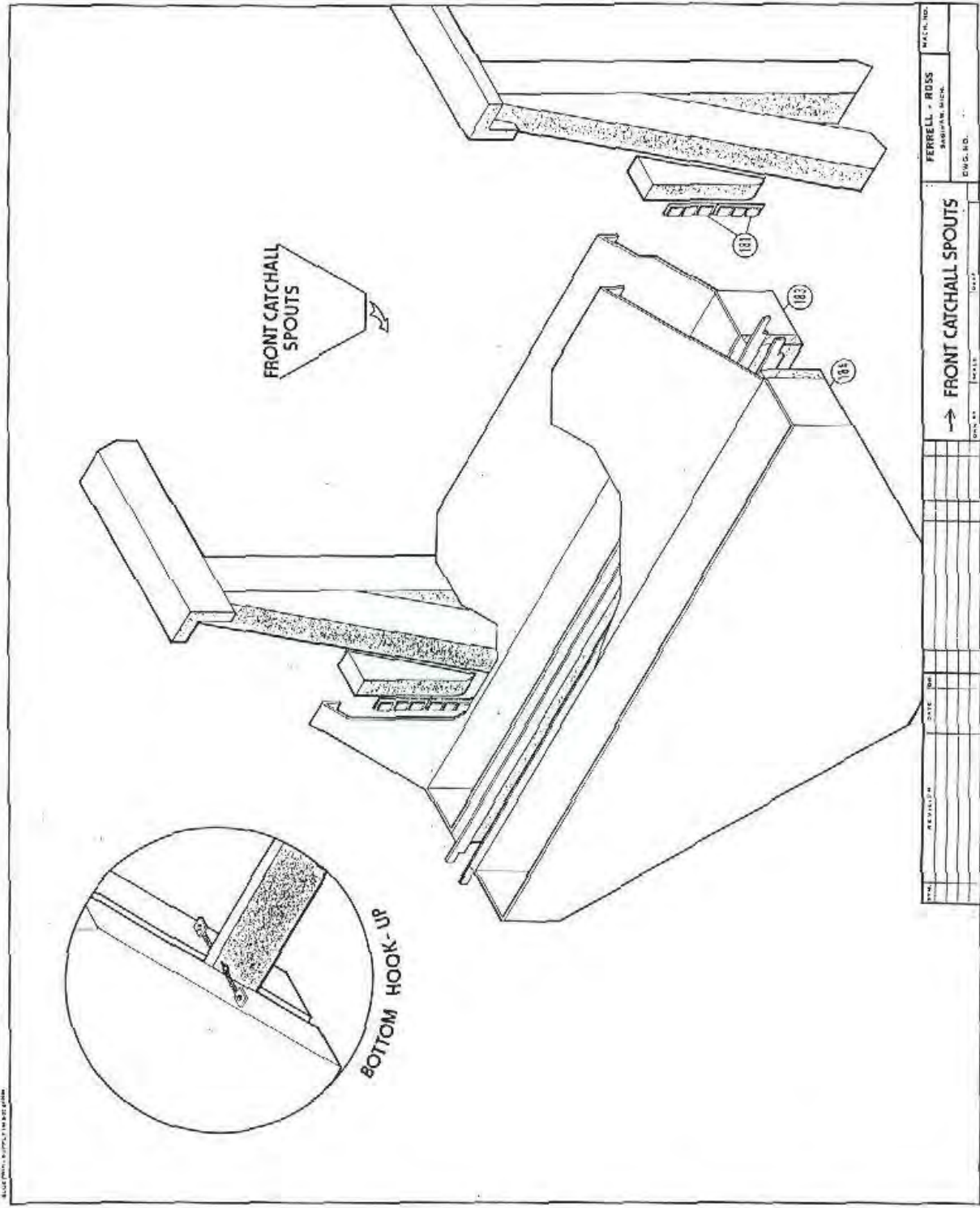
BLUE PRINT SUPPLY CO. 1211 1/2 N. 10TH ST. DENVER, CO.



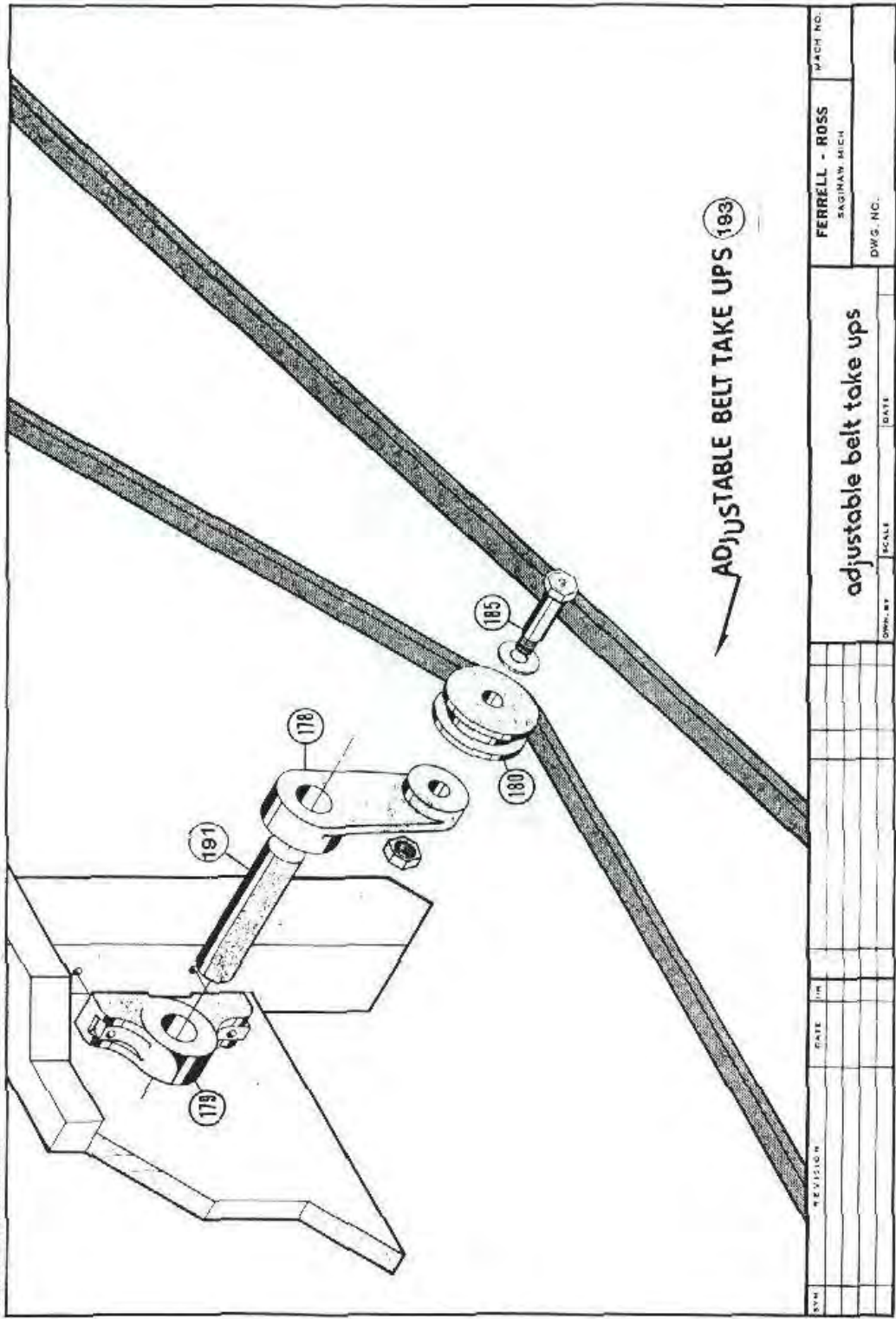
← bottom shoe

ARRANGEMENT FOR TELESCOPIC APRONS

SYM	REVISION	DATE	BY	SCALE	DATE	FERRELL - ROSS		MECH. NO
						SAGINAW, MICH		
DRAWN BY						DWG. NO		
TITLE						arrangement for telescopic aprons,		

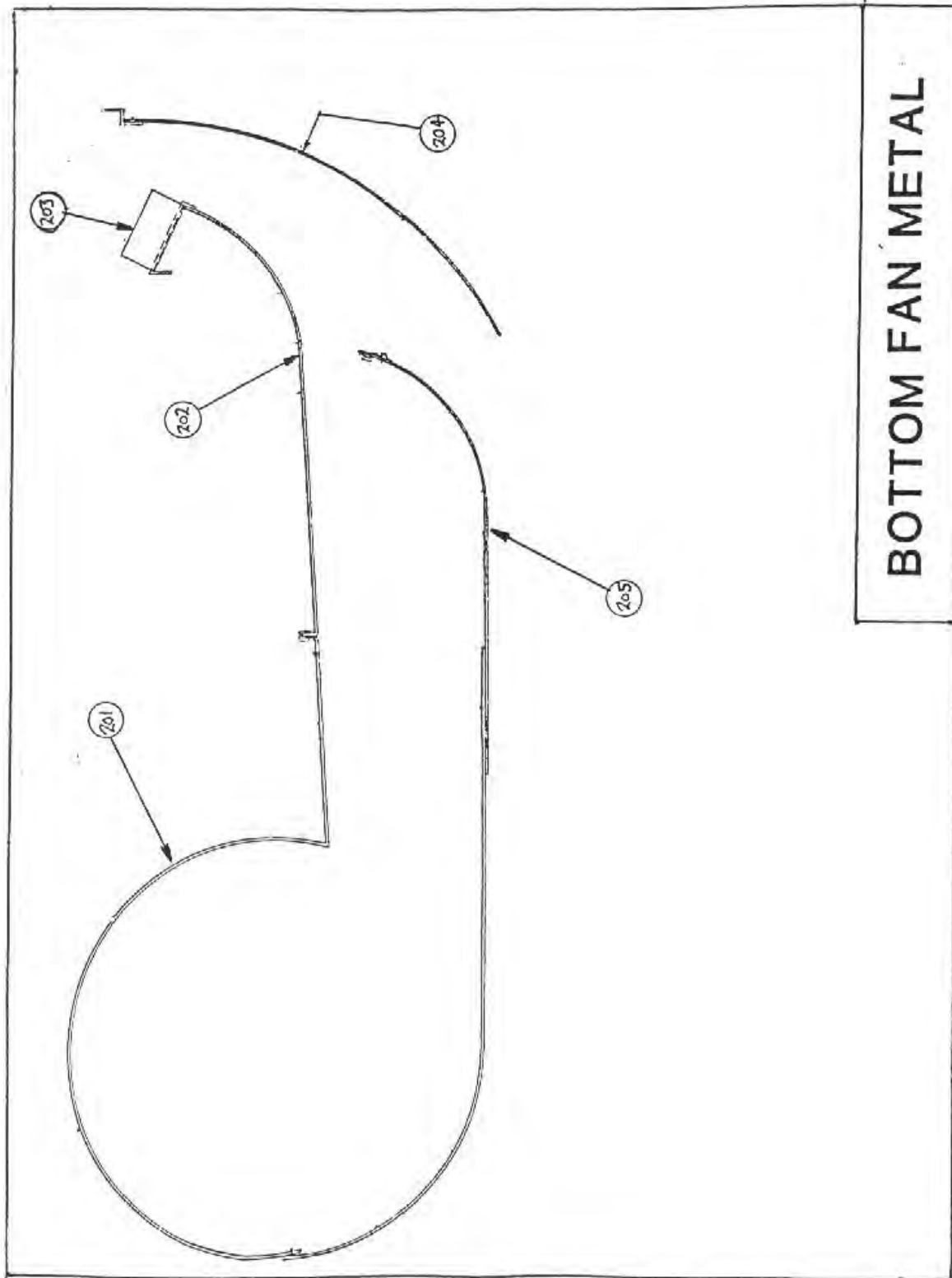


NO.	REVISED	DATE	BY	CHKD. BY	SCALE	DATE



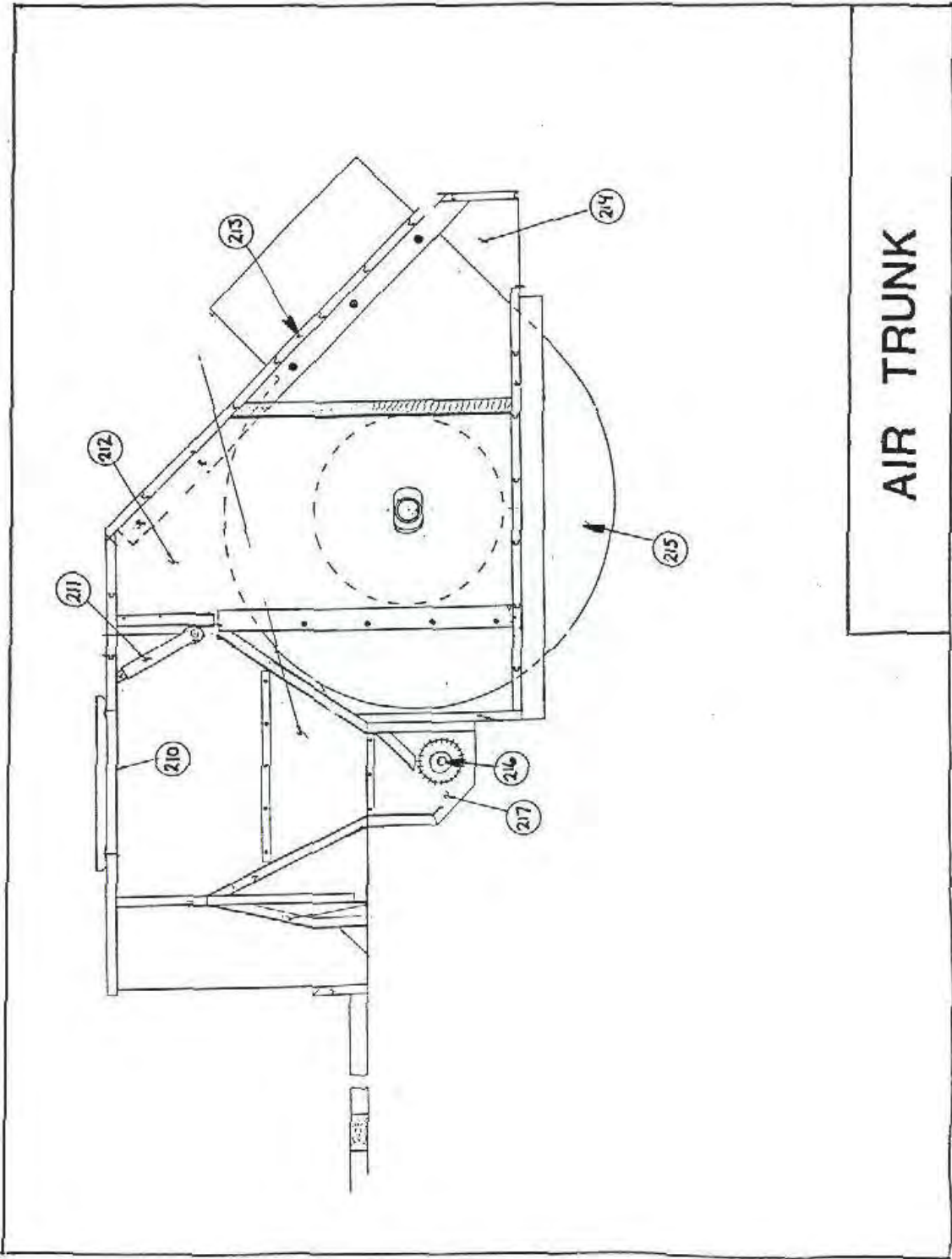
MACH. NO.	FERRELL - ROSS	
	SASINAW, MICH.	
DWG. NO.		DATE
adjustable belt take ups		SCALE
OWNER BY		DATE
NO.	REVISION	DATE

SCALE: 1" = 1" (AS SHOWN)



BOTTOM FAN METAL

25



AIR TRUNK

Rocker Assembly View Ball Trays

