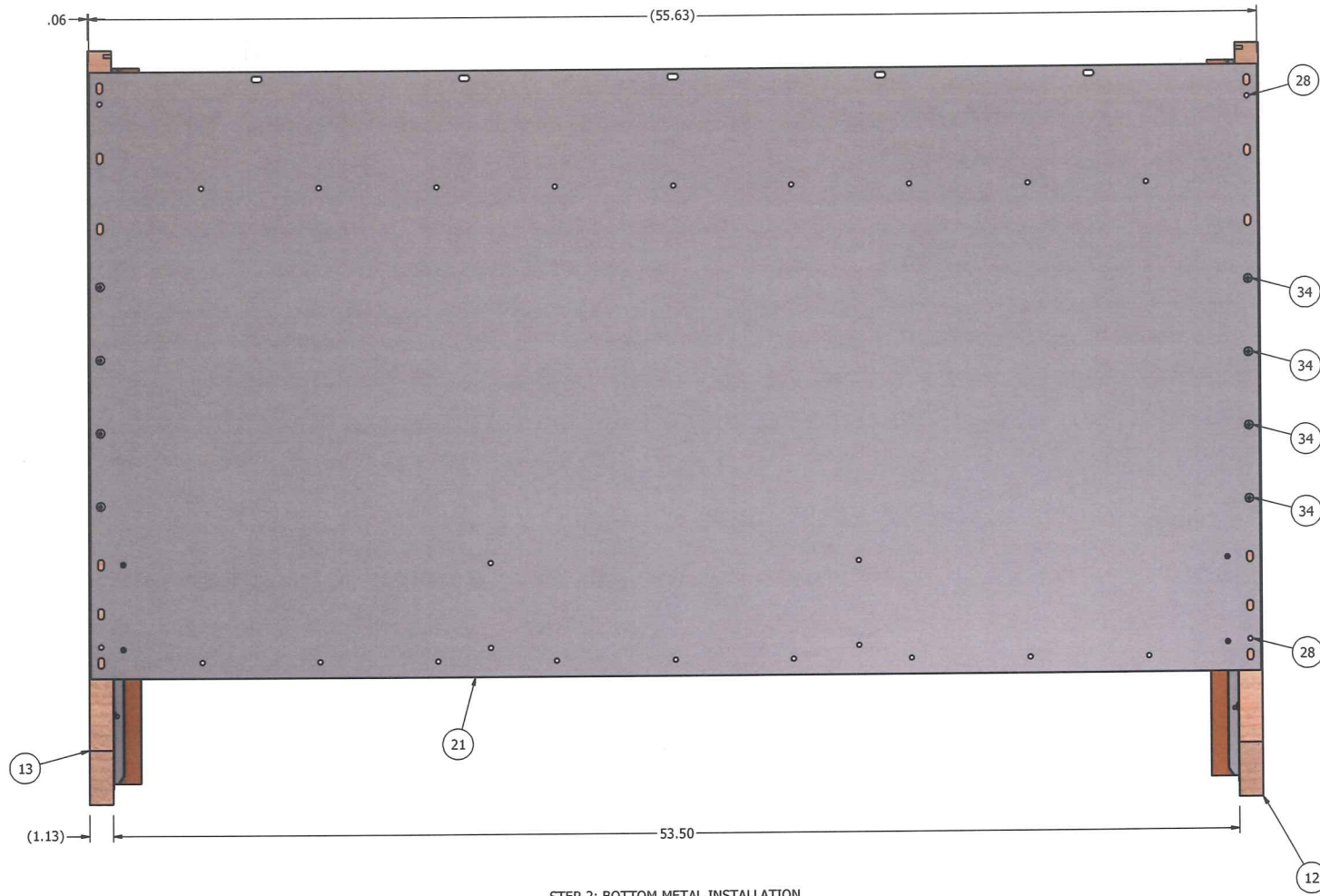
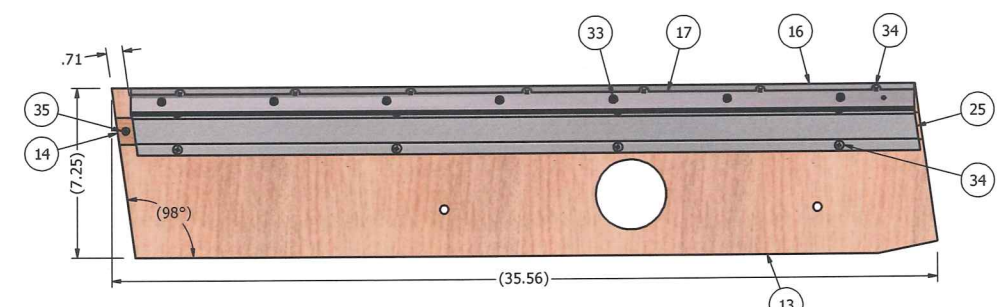


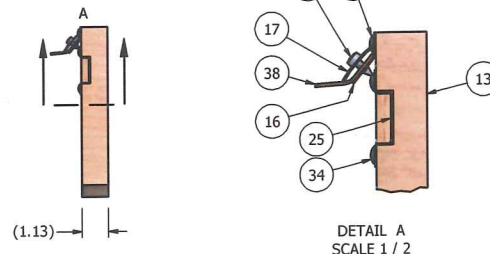
REVISION HISTORY				
REV	ECN	DESCRIPTION	DATE	APPROVED
A	XXXXXX	RELEASE	10/5/1951	Loehr
B	F00150	RELEASE BLUFFTON	2/9/1984	RE
C	F120129	REDRAWN CAD, WAS C SIZE, ADD SHEETS 2-4	12/7/2012	dmjohnson



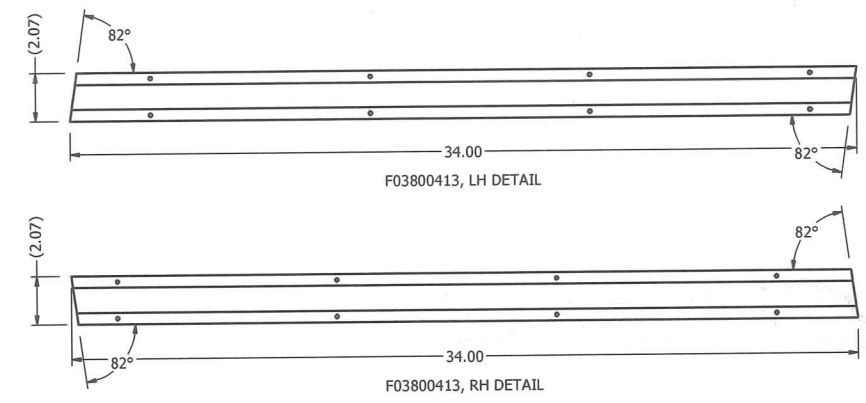
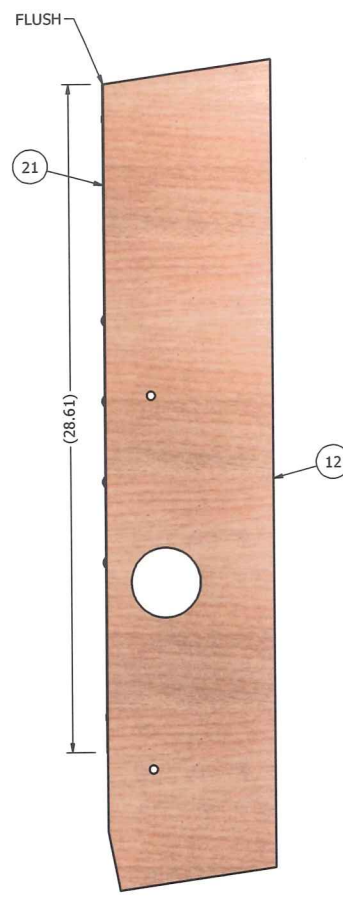
STEP 2: BOTTOM METAL INSTALLATION  
BOTTOM VIEW




STEP 1: SHOE SIDE ASSEMBLY  
RH SHOE SIDE SHOWN, TYPICAL FOR LH SIDE



DETAIL A  
SCALE 1/2



ITEM	PART NUMBER	QTY	DESCRIPTION
38	F91152004	2	BELTING, 3-PLY FSXFS 1.50 X 35.75"
37	F91151004	4.458 ft	BELTING, 1-PLY .06 X 4.00 X 53.50"
36	F87600001	1	FELT, STRIP 1/8 X 3/4 X 53.50"
35	F84212122	2	SMS, FLT X HD #8 X 3/4"
34	F83453402	42	SMS, PAN X HD, #8 X 3/4"
33	F83451201	45	SMS, PAN X HD, #8 X 1/2"
32	F83450102	6	SMS, PAN X HD, #10 X 1"
31	F83440301	28	SMS, FLAT CROSS HEAD #10 X 1.50"
30	F83440135	8	SCW, SMS PAN HD #10 X 1.75"
29	F83200011	13	RIVET, POP SDS564 .188X.125-.250
28	F82400002	13	NAIL, 14 GA X 3/4" THRD, 7/32" HD T304SS
27	F10505800	1	SCREEN ASSY, PERF SCALPER W/SPDR BD, #8 X 34"
26	F03805600	1	RUBBER HOLD-DOWN STRIP, 53.50"
25	F03800413	1	LINER, SCREENWAY, ROCKER, 34.00" X 8 DEG RH
24	F03800413	1	LINER, SCREENWAY, ROCKER, 34.00" X 8 DEG LH
23	F03500800	2	SCREEN HOOK ASSY, STANDARD
22	F03324420	1	DEFLECTOR, GRAIN, SCALPER SHOE, 68A & D
21	F03313320	1	BOTTOM METAL, SCALPER, 68A & D
20	F03313220	2	TIE ROD, SCALPER SHOE, 68A & D
19	F03313120	2	PIPE, SPREADER BAR, SCALPER SHOE, 68A & D
18	F03309401	2	BRACE, SCALPER SHOE, 68A & D
17	F03305701	2	CAP, RUBBER HOLDING, 33.75"
16	F03305401	2	RUBBER HOLDING STRIP, 33.75"
15	F03151302	1	BOARD, FRONT, SCALPER, 68A & D
14	F03119700	2	PLUG, SCREENWAY, SCALPER SHOE, 68/69A & D
13	F03119602	1	SIDE, LH, SHOE, SCALPER, 68/69A & D
12	F03119601	1	SIDE, RH, SHOE, SCALPER, 68/69A & D
11	F03119502	1	BOARD, BACK, SCALPER, 68A & D
10	F03119406	1	BOARD, TOP, SCALPER, 68A & D
9	F03119405	2	BOARD, BOTTOM FRONT, SCALPER, 68A & D
8	F03119404	1	BOARD, BOTTOM REAR, SCALPER, 68A & D
7	F03112500	4	WEDGE, SCALPER SHOE, 68/69A & D
6	70010521	13	SCW, DECK FLT HD #6 X 2.00"
5	66783300	4	NUT, HEX SERR LOCK 1/4-20
4	66444400	4	WASHER, LOCK HELICAL 3/8"
3	66404400	8	WASHER, FLAT 3/8" NARROW TYPE A
2	66084400	4	NUT, HEX 3/8-16
1	60283330	4	BOLT, CARR 1/4-20 X 1.75"



**COPPER**  
SEPARATION  
TECHNOLOGIES  
SINCE 1889

**DIVISION OF**  
A.T. FERRELL COMPANY  
1440 S ADAMS ST  
BLUFFTON, INDIANA  
46714 - USA  
PH: 260-824-3400  
FAX: 260-824-5463

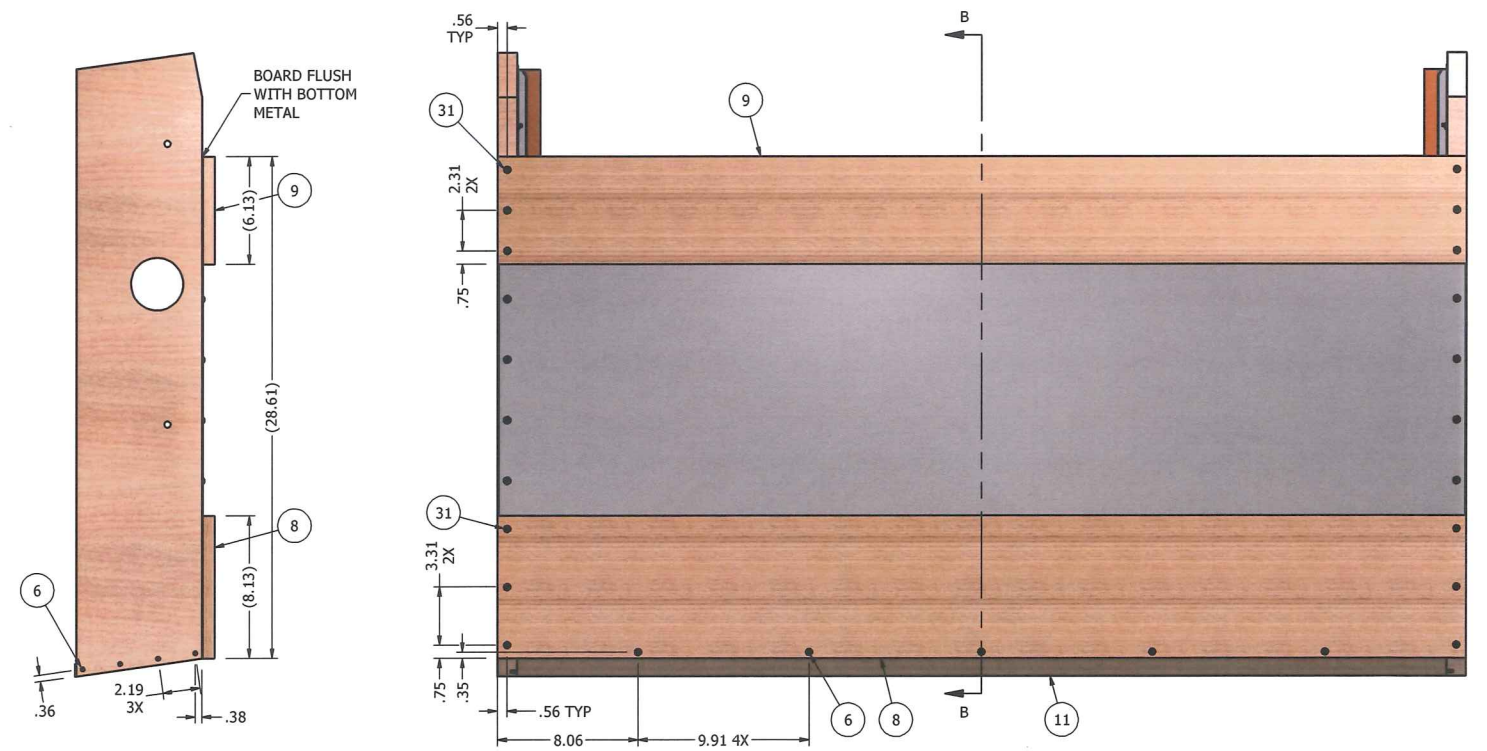
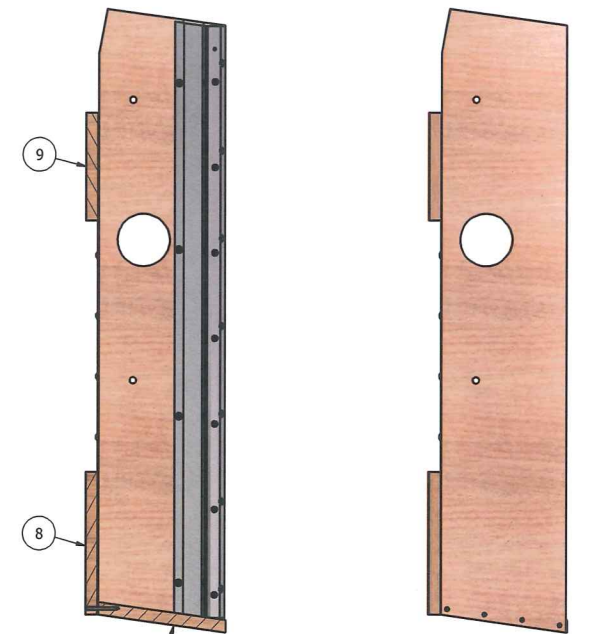
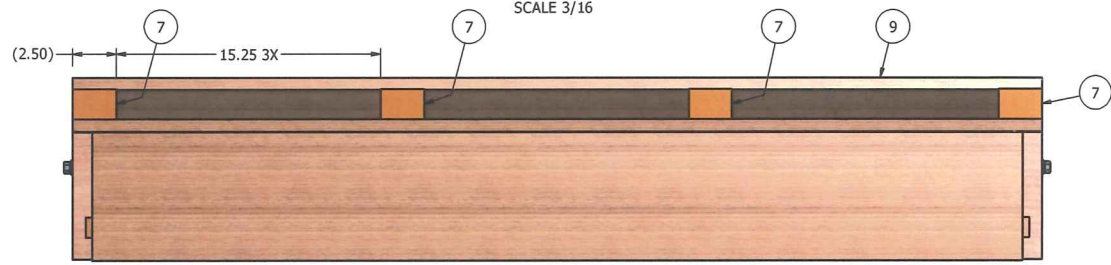
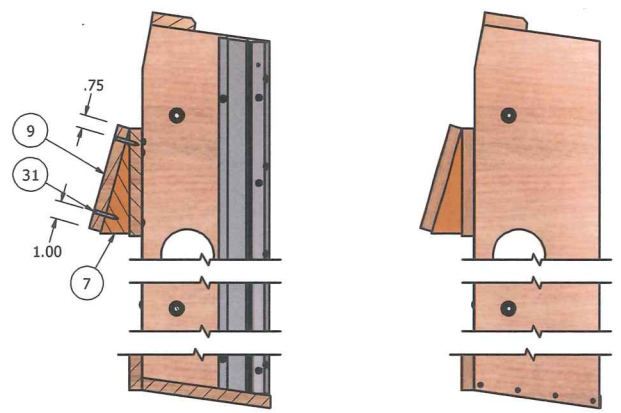
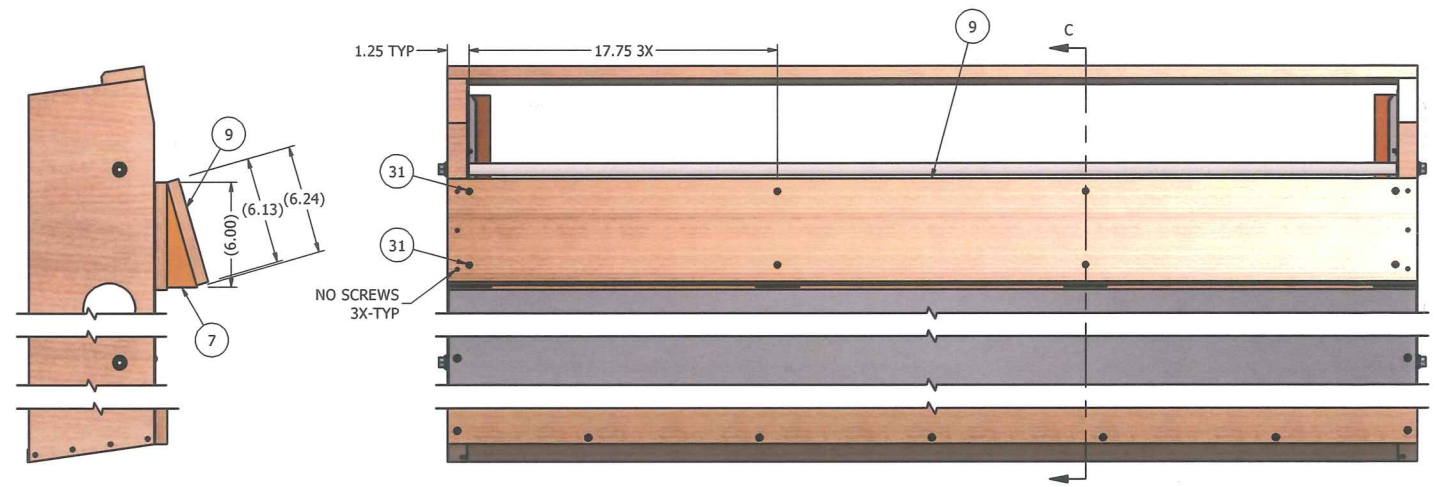
This drawing is the property of the A.T. Ferrell Company, Inc and must be returned immediately upon request. No part of this drawing may be reproduced, stored in a retrieval system or transmitted in any form or by any means, without prior written consent of the A.T. Ferrell Company, Inc.

DRAWN BY: dmjohnson    DRAWN DATE: 12/7/2012    APPROVED BY: DMJ

TOLERANCES EXCEPT AS NOTED:		TITLE: SHOE ASSY, SCALPER, 68A & D	
DECIMAL: .XX ± .030	FRACTIONAL: ± 1/32	FINISH: NONE	
XXX ± .005	ANGULAR: ± 1/2°		
XXXX ± .001			
<b>CAD</b>	NO MANUAL CHANGES	SCALE: 1:4	SHEET: 1 OF 4
		SIZE: D	PART NUMBER: F03007500
			REV: C

NOTES:  
 1. DO NOT SCALE FROM DRAWING.  
 2. ONE PIECE REQUIRED P ER F40400681-84: CLEANER ASSY, LH/RH BT 900RPM W/O VSS W/ VSS, 68D.  
 3. \* LINE ITEM ON SALES ORDER, NOT INCLUDED IN BILL OF MATERIAL.


REVISION HISTORY				
REV	ECN	DESCRIPTION	DATE	APPROVED
A	XXXXXX	RELEASE	10/5/1951	Loehr
B	F00150	RELEASE BLUFFTON	2/9/1984	RE
C	F120129	REDRAWN CAD, WAS C SIZE, ADD SHEETS 2-4	12/7/2012	dmjohnson



38	F91152004	2	BELTING, 3-PLY FSXFS 1.50 X 35.75"
37	F91151004	4.458 ft	BELTING, 1-PLY .06 X 4.00 X 53.50"
36	F87600001	1	FELT, STRIP 1/8 X 3/4 X 53.50"
35	F84212122	2	SMS, FLT X HD #8 X 3/4"
34	F83453402	42	SMS, PAN X HD, #8 X 3/4"
33	F83451201	45	SMS, PAN X HD, #8 X 1/2"
32	F83450102	6	SMS, PAN X HD, #10 X 1"
31	F83440301	28	SMS, FLAT CROSS HEAD #10 X 1.50"
30	F83440135	8	SCW, SMS PAN HD #10 X 1.75"
29	F83200011	13	RIVET, POP SDS64 .188X.125-.250
28	F82400002	13	NAIL, 14 GA X 3/4" THRD, 7/32" HD T304SS
27	F10505800	1	SCREEN ASSY, PERF SCALPER W/SPDR BD, #8 X 34"
26	F03805600	1	RUBBER HOLD-DOWN STRIP, 53.50"
25	F03800413	1	LINER, SCREENWAY, ROCKER, 34.00" X 8 DEG RH
24	F03800413	1	LINER, SCREENWAY, ROCKER, 34.00" X 8 DEG LH
23	F03500800	2	SCREEN HOOK ASSY, STANDARD
22	F03324420	1	DEFLECTOR, GRAIN, SCALPER SHOE, 68A & D
21	F03313320	1	BOTTOM METAL, SCALPER, 68A & D
20	F03313220	2	TIE ROD, SCALPER SHOE, 68A & D
19	F03313120	2	PIPE, SPREADER BAR, SCALPER SHOE, 68A & D
18	F03309401	2	BRACE, SCALPER SHOE, 68A & D
17	F03305701	2	CAP, RUBBER HOLDING, 33.75"
16	F03305401	2	RUBBER HOLDING STRIP, 33.75"
15	F03151302	1	BOARD, FRONT, SCALPER, 68A & D
14	F03119700	2	PLUG, SCREENWAY, SCALPER SHOE, 68/69A & D
13	F03119602	1	SIDE, LH, SHOE, SCALPER, 68/69A & D
12	F03119601	1	SIDE, RH, SHOE, SCALPER, 68/69A & D
11	F03119502	1	BOARD, BACK, SCALPER, 68A & D
10	F03119406	1	BOARD, TOP, SCALPER, 68A & D
9	F03119405	2	BOARD, BOTTOM FRONT, SCALPER, 68A & D
8	F03119404	1	BOARD, BOTTOM REAR, SCALPER, 68A & D
7	F03112500	4	WEDGE, SCALPER SHOE, 68/69A & D
6	70010521	13	SCW, DECK FLT HD #6 X 2.00"
5	66783300	4	NUT, HEX SERR LOCK 1/4-20
4	66444400	4	WASHER, LOCK HELICAL 3/8"
3	66404400	8	WASHER, FLAT 3/8" NARROW TYPE A
2	66084400	4	NUT, HEX 3/8-16
1	60283330	4	BOLT, CARR 1/4-20 X 1.75"

NOTES:  
1. DO NOT SCALE FROM DRAWING.  
2. ONE PIECE REQUIRED P ER F40400681-84: CLEANER ASSY, LH/RH BT 900RPM W/O VSS W/ VSS, 68D.  
3. \* LINE ITEM ON SALES ORDER, NOT INCLUDED IN BILL OF MATERIAL.

STEP 3: BOTTOM CROSS & BACK BOARD INSTALL, BOTTOM VIEW  
SCALE 3/16



**CLIPPER**  
SEPARATION TECHNOLOGIES  
SINCE 1869

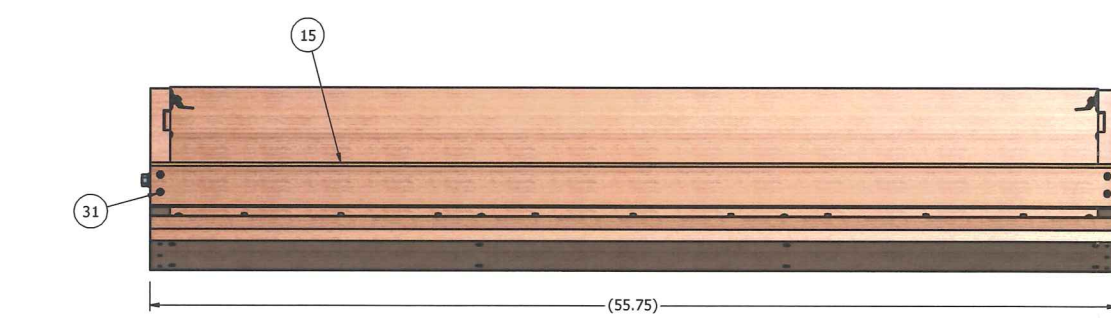
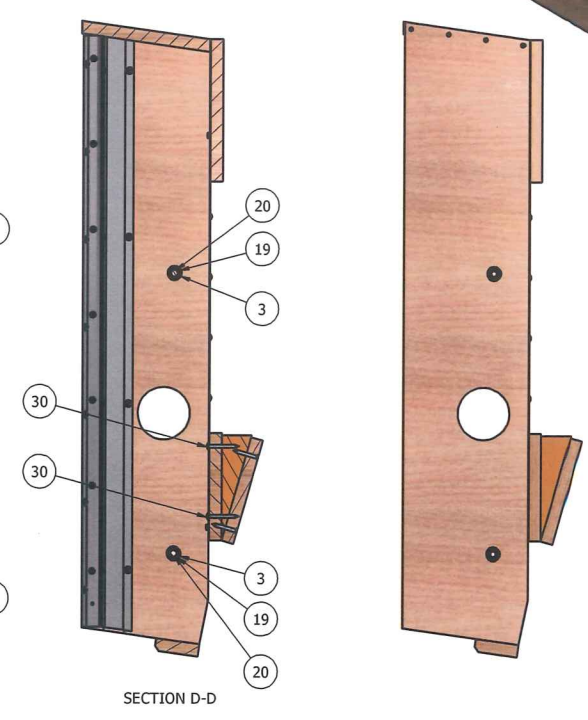
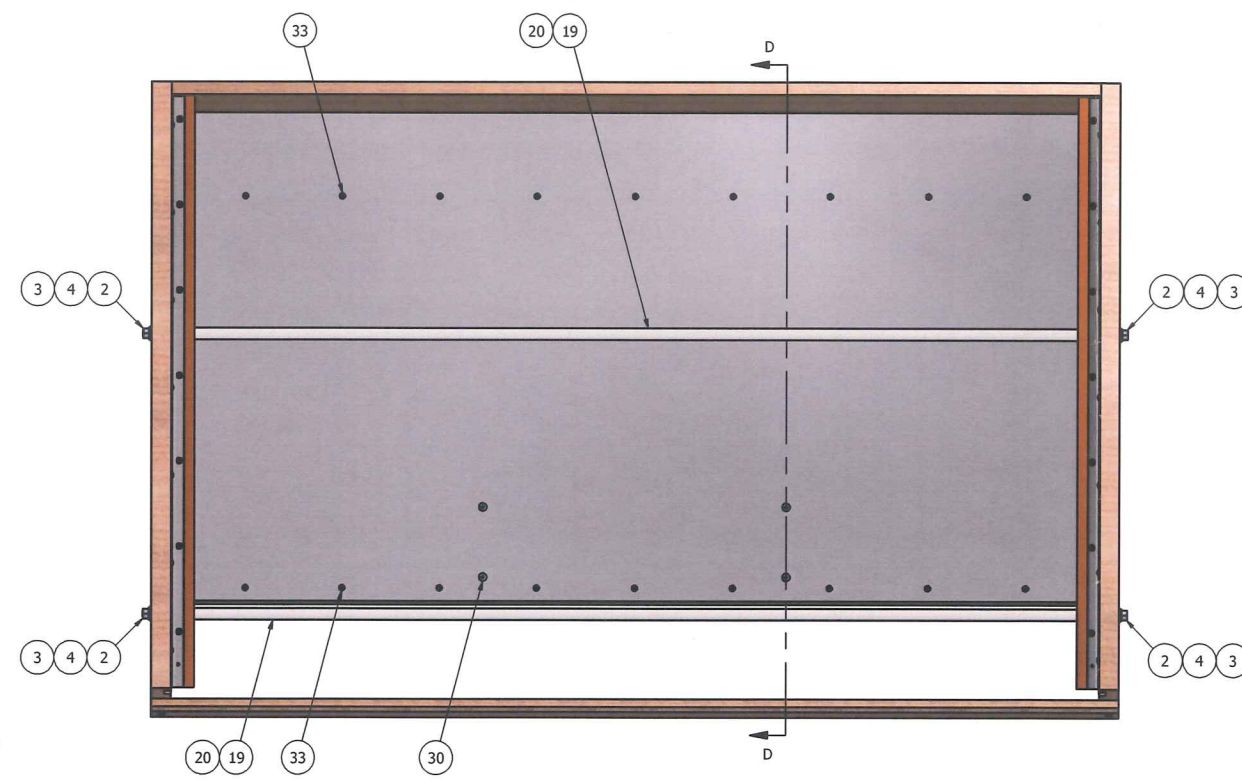
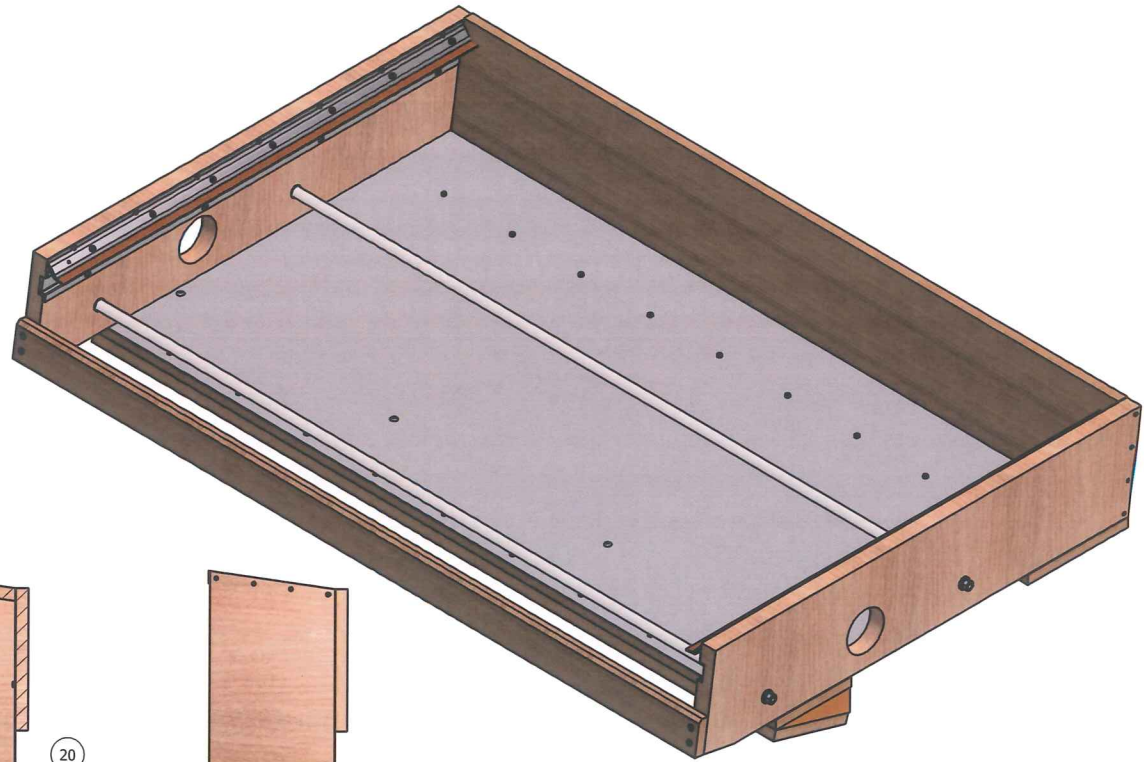
**DIVISION OF**  
A.T.FERRELL COMPANY  
1440 S ADAMS ST  
BLUFFTON, INDIANA  
46714 - USA  
PH: 260-824-3400  
FAX: 260-824-5463

This drawing is the property of the A.T. Ferrell Company, Inc and must be returned immediately upon request.  
No part of this drawing may be reproduced, stored in a retrieval system or transmitted in any form or by any means, without prior written consent of the A.T. Ferrell Company, Inc.

DRAWN BY: dmjohnson    DRAWN DATE: 12/7/2012    APPROVED BY: DMJ

TOLERANCES EXCEPT AS NOTED:		TITLE: SHOE ASSY, SCALPER, 68A & D	
DECIMAL: XX ± .030	FRACTIONAL: ± 1/32	FINISH:	
XXX ± .005	ANGULAR: ± 1/2°	NONE	
XXXX ± .001			
<b>CAD</b>	NO MANUAL CHANGES	SCALE: 1:4	SHEET: 2 OF 4
		SIZE: D	PART NUMBER: F03007500
			REV: C

REVISION HISTORY				
REV	ECN	DESCRIPTION	DATE	APPROVED
A	XXXXXX	RELEASE	10/5/1951	Loehr
B	F00150	RELEASE BLUFFTON	2/9/1984	RE
C	F120129	REDRAWN CAD, WAS C SIZE, ADD SHEETS 2-4	12/7/2012	dmjohnson



STEP 5: FRONT CROSS BOARD, TIE ROD & WEDGE INSTALL, FRONT VIEW  
SCALE 3/16

ITEM	PART NUMBER	QTY	DESCRIPTION
38	F91152004	2	BELTING, 3-PLY FSXFS 1.50 X 35.75"
37	F91151004	4.458 ft	BELTING, 1-PLY .06 X 4.00 X 53.50"
36	F87600001	1	FELT, STRIP 1/8 X 3/4 X 53.50"
35	F84212122	2	SMS, FLT X HD #8 X 3/4"
34	F83453402	42	SMS, PAN X HD, #8 X 3/4"
33	F83451201	45	SMS, PAN X HD, #8 X 1/2"
32	F83450102	6	SMS, PAN X HD, #10 X 1"
31	F83440301	28	SMS, FLAT CROSS HEAD #10 X 1.50"
30	F83440135	8	SCW, SMS PAN HD #10 X 1.75"
29	F83200011	13	RIVET, POP SDS64 .188X.125-.250
28	F82400002	13	NAIL, 14 GA X 3/4" THRD, 7/32" HD T304SS
* 27	F10505800	1	SCREEN ASSY, PERF SCALPER W/SPDR BD, #8 X 34"
26	F03805600	1	RUBBER HOLD-DOWN STRIP, 53.50"
25	F03800413	1	LINER, SCREENWAY, ROCKER, 34.00" X 8 DEG RH
24	F03800413	1	LINER, SCREENWAY, ROCKER, 34.00" X 8 DEG LH
23	F03500800	2	SCREEN HOOK ASSY, STANDARD
22	F03324420	1	DEFLECTOR, GRAIN, SCALPER SHOE, 68A & D
21	F03313320	1	BOTTOM METAL, SCALPER, 68A & D
20	F03313220	2	TIE ROD, SCALPER SHOE, 68A & D
19	F03313120	2	PIPE, SPREADER BAR, SCALPER SHOE, 68A & D
18	F03309401	2	BRACE, SCALPER SHOE, 68A & D
17	F03305701	2	CAP, RUBBER HOLDING, 33.75"
16	F03305401	2	RUBBER HOLDING STRIP, 33.75"
15	F03151302	1	BOARD, FRONT, SCALPER, 68A & D
14	F03119700	2	PLUG, SCREENWAY, SCALPER SHOE, 68/69A & D
13	F03119602	1	SIDE, LH, SHOE, SCALPER, 68/69A & D
12	F03119601	1	SIDE, RH, SHOE, SCALPER, 68/69A & D
11	F03119502	1	BOARD, BACK, SCALPER, 68A & D
10	F03119406	1	BOARD, TOP, SCALPER, 68A & D
9	F03119405	2	BOARD, BOTTOM FRONT, SCALPER, 68A & D
8	F03119404	1	BOARD, BOTTOM REAR, SCALPER, 68A & D
7	F03112500	4	WEDGE, SCALPER SHOE, 68/69A & D
6	70010521	13	SCW, DECK FLT HD #6 X 2.00"
5	66783300	4	NUT, HEX SERR LOCK 1/4-20
4	66444400	4	WASHER, LOCK HELICAL 3/8"
3	66404400	8	WASHER, FLAT 3/8" NARROW TYPE A
2	66084400	4	NUT, HEX 3/8-16
1	60283330	4	BOLT, CARR 1/4-20 X 1.75"

NOTES:  
1. DO NOT SCALE FROM DRAWING.  
2. ONE PIECE REQUIRED P ER F40400681-84: CLEANER ASSY, LH/RH BT 900RPM W/O VSS W/ VSS, 68D.  
3. \* LINE ITEM ON SALES ORDER, NOT INCLUDED IN BILL OF MATERIAL.

**CLIPPER**  
SEPARATION TECHNOLOGIES  
SINCE 1889

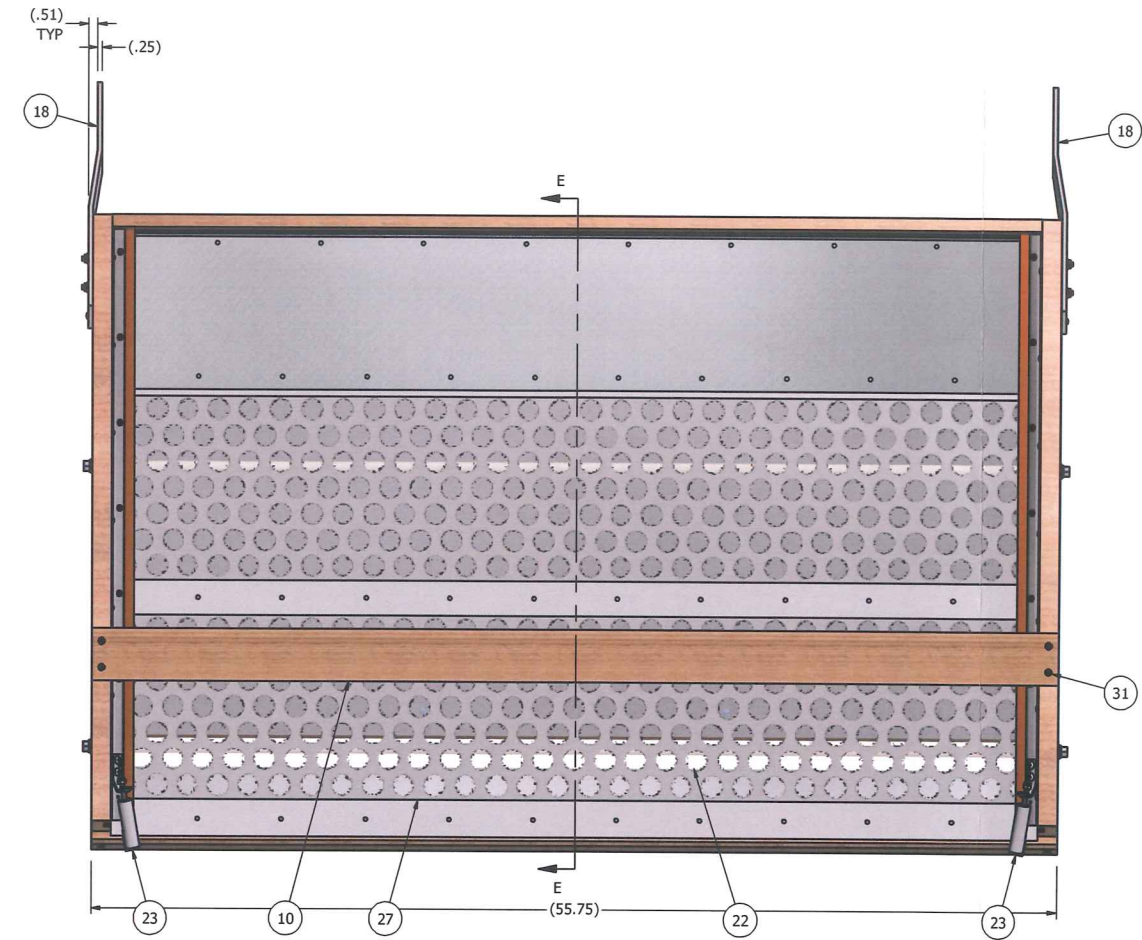
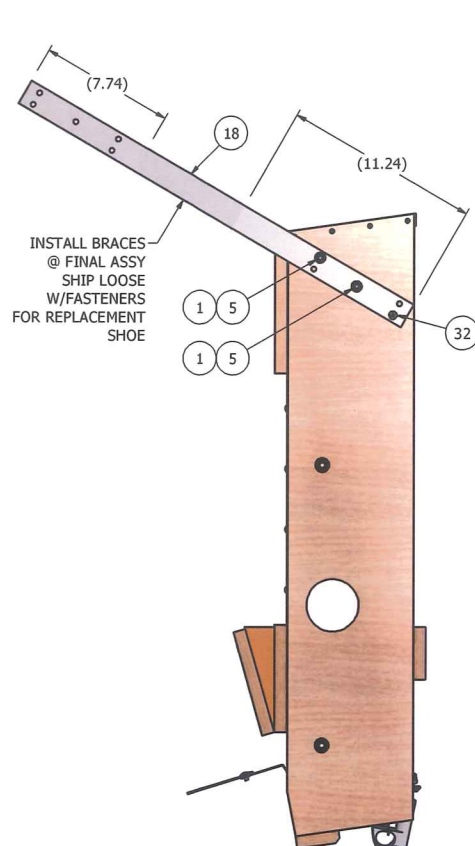
**DIVISION OF**  
A.T.FERRELL COMPANY  
1440 S ADAMS ST  
BLUFFTON, INDIANA  
46714 - USA  
PH: 260-824-3400  
FAX: 260-824-5463

This drawing is the property of the A.T. Ferrell Company, Inc and must be returned immediately upon request.  
No part of this drawing may be reproduced, stored in a retrieval system or transmitted in any form or by any means, without prior written consent of the A.T. Ferrell Company, Inc.

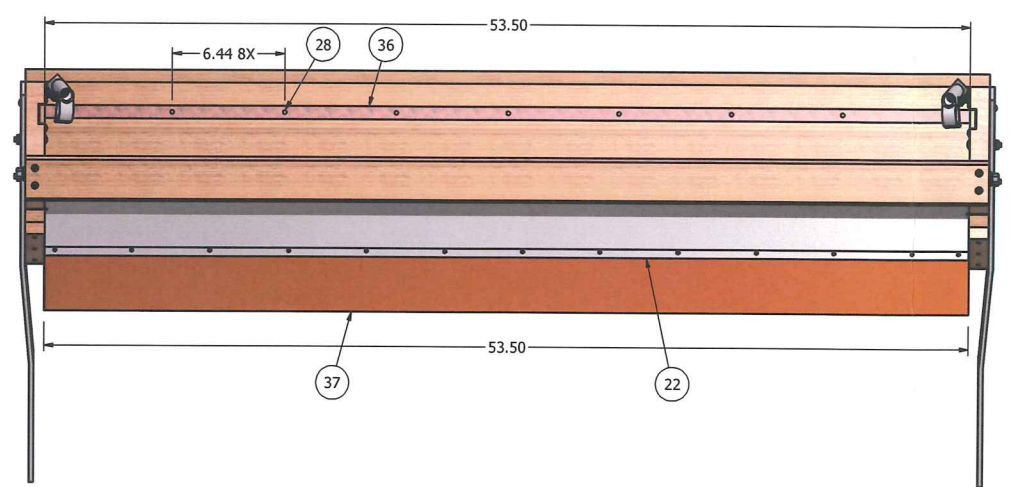
TOLERANCES EXCEPT AS NOTED		TITLE: SHOE ASSY, SCALPER, 68A & D	
DECIMAL: XX ± .030	FRACTIONAL: ± 1/32	FINISH:	
XXX ± .005	ANGULAR: ± 1/2°	NONE	
XXXX ± .001			

<b>CAD</b>	NO MANUAL CHANGES	SCALE: 1:4	SHEET: 3 OF 4	SIZE: D	PART NUMBER: F03007500	REV: C
------------	-------------------	------------	---------------	---------	------------------------	--------

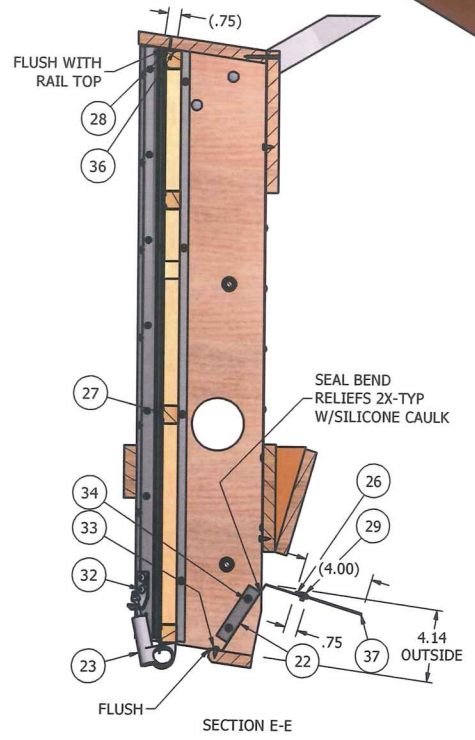
REVISION HISTORY				
REV	ECN	DESCRIPTION	DATE	APPROVED
A	XXXXXX	RELEASE	10/5/1951	Loehr
B	F00150	RELEASE BLUFFTON	2/9/1984	RE
C	F120129	REDRAWN CAD, WAS C SIZE, ADD SHEETS 2-4	12/7/2012	dmjohnson



COMPLETE WITH SCREEN, TOP VIEW



STEP 6: COMPLETE LESS SCREEN, FRONT VIEW  
SCALE 3/16



SECTION E-E



SCALE 5/32

ITEM	PART NUMBER	QTY	DESCRIPTION
38	F91152004	2	BELTING, 3-PLY FSXFS 1.50 X 35.75"
37	F91151004	4.458 ft	BELTING, 1-PLY .06 X 4.00 X 53.50"
36	F87600001	1	FELT, STRIP 1/8 X 3/4 X 53.50"
35	F84212122	2	SMS, FLT X HD #8 X 3/4"
34	F83453402	42	SMS, PAN X HD, #8 X 3/4"
33	F83451201	45	SMS, PAN X HD, #8 X 1/2"
32	F83450102	6	SMS, PAN X HD, #10 X 1"
31	F83440301	28	SMS, FLAT CROSS HEAD #10 X 1.50"
30	F83440135	8	SCW, SMS PAN HD #10 X 1.75"
29	F83200011	13	RIVET, POP SDS64 .188X.125-.250
28	F82400002	13	NAIL, 14 GA X 3/4" THRD, 7/32" HD T304SS
27	F10505800	1	SCREEN ASSY, PERF SCALPER W/SPDR BD, #8 X 34"
26	F03805600	1	RUBBER HOLD-DOWN STRIP, 53.50"
25	F03800413	1	LINER, SCREENWAY, ROCKER, 34.00" X 8 DEG RH
24	F03800413	1	LINER, SCREENWAY, ROCKER, 34.00" X 8 DEG LH
23	F03500800	2	SCREEN HOOK ASSY, STANDARD
22	F03324420	1	DEFLECTOR, GRAIN, SCALPER SHOE, 68A & D
21	F03313320	1	BOTTOM METAL, SCALPER, 68A & D
20	F03313220	2	TIE ROD, SCALPER SHOE, 68A & D
19	F03313120	2	PIPE, SPREADER BAR, SCALPER SHOE, 68A & D
18	F03309401	2	BRACE, SCALPER SHOE, 68A & D
17	F03305701	2	CAP, RUBBER HOLDING, 33.75"
16	F03305401	2	RUBBER HOLDING STRIP, 33.75"
15	F03151302	1	BOARD, FRONT, SCALPER, 68A & D
14	F03119700	2	PLUG, SCREENWAY, SCALPER SHOE, 68/69A & D
13	F03119602	1	SIDE, LH, SHOE, SCALPER, 68/69A & D
12	F03119601	1	SIDE, RH, SHOE, SCALPER, 68/69A & D
11	F03119502	1	BOARD, BACK, SCALPER, 68A & D
10	F03119406	1	BOARD, TOP, SCALPER, 68A & D
9	F03119405	2	BOARD, BOTTOM FRONT, SCALPER, 68A & D
8	F03119404	1	BOARD, BOTTOM REAR, SCALPER, 68A & D
7	F03112500	4	WEDGE, SCALPER SHOE, 68/69A & D
6	70010521	13	SCW, DECK FLT HD #6 X 2.00"
5	66783300	4	NUT, HEX SERR LOCK 1/4-20
4	66444400	4	WASHER, LOCK HELICAL 3/8"
3	66404400	8	WASHER, FLAT 3/8" NARROW TYPE A
2	66084400	4	NUT, HEX 3/8-16
1	60283330	4	BOLT, CARR 1/4-20 X 1.75"

**CLIPPER** SEPARATION TECHNOLOGIES SINCE 1889

DIVISION OF  
A.T. FERRELL COMPANY  
1440 S ADAMS ST  
BLUFFTON, INDIANA  
46714 - USA  
PH: 280-824-3400  
FAX: 280-824-5403

This drawing is the property of the A.T. Ferrell Company, Inc and must be returned immediately upon request.  
No part of this drawing may be reproduced, stored in a retrieval system or transmitted in any form or by any means, without prior written consent of the A.T. Ferrell Company, Inc.

DRAWN BY: dmjohnson  
DRAWN DATE: 12/7/2012  
APPROVED BY: DMJ

TOLERANCES EXCEPT AS NOTED	TITLE: SHOE ASSY, SCALPER, 68A & D
DECIMAL: .XX ± .030	FINISH: NONE
XXX ± .005	
XXXX ± .001	
ANGULAR: ± 1/2°	
CAD NO MANUAL CHANGES	SCALE: 1:4 SHEET: 4 OF 4 SIZE: D PART NUMBER: F03007500 REV: C

NOTES:  
1. DO NOT SCALE FROM DRAWING.  
2. ONE PIECE REQUIRED PER F40400681-84: CLEANER ASSY, LH/RH BT 900RPM W/O VSS W/ VSS, 68D.  
3. \* LINE ITEM ON SALES ORDER, NOT INCLUDED IN BILL OF MATERIAL.