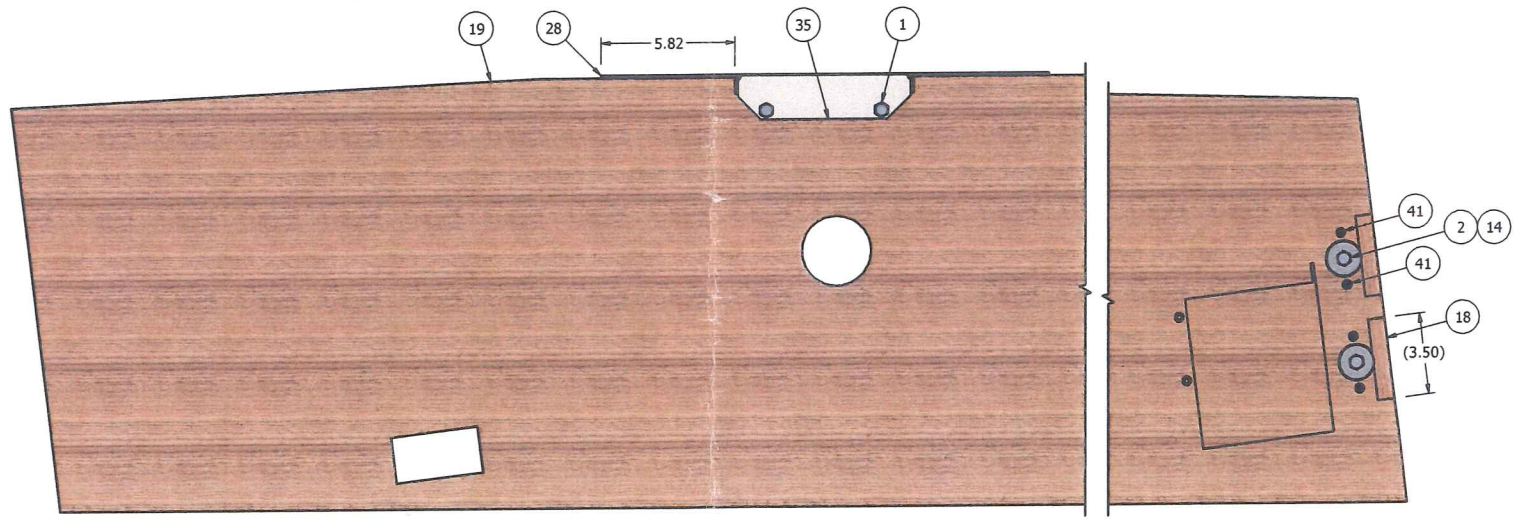
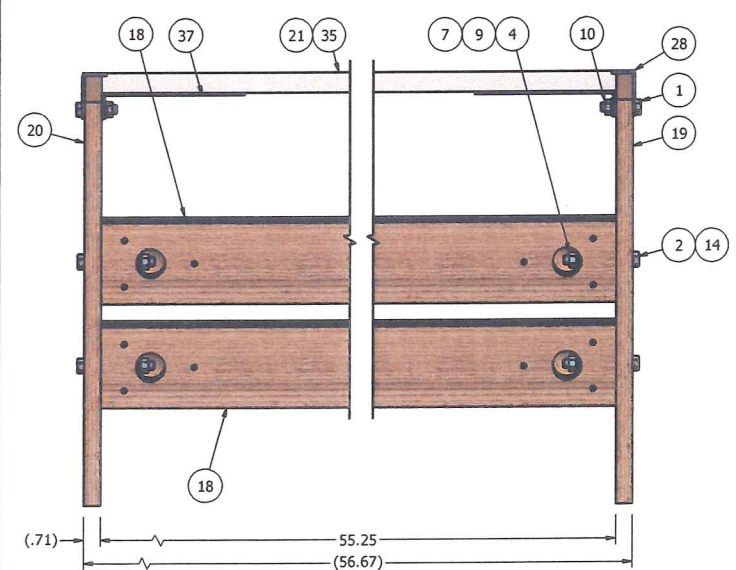
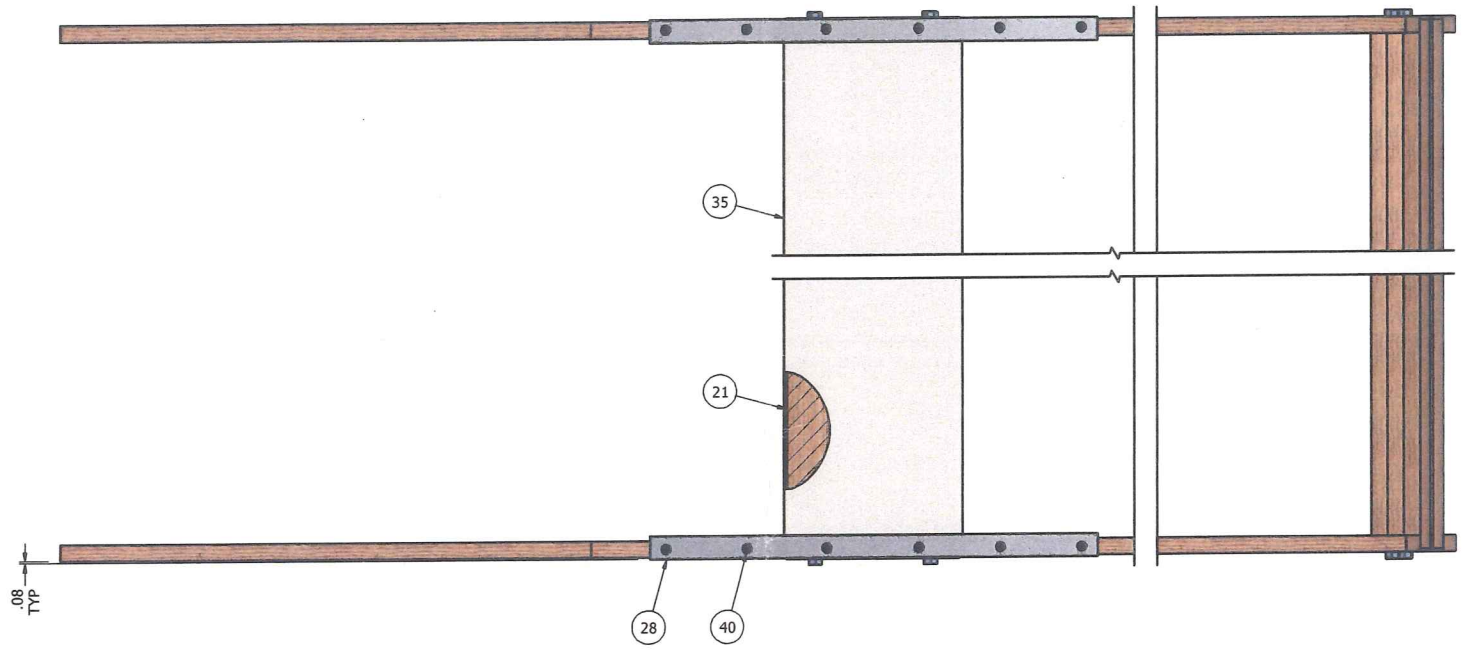



REVISION HISTORY				
REV	ECN	DESCRIPTION	DATE	APPROVED
A	XXXXXX	RELEASE	5/21/1957	DR
B	XXXXXX	9.00, 11.50 & 11.63 WAS 7.50, 12.25 & 12.38"	7/29/1974	M
C	F120091	REDRAWN CAD, F03321301 WAS F03127103(1), F03321300(1) & F03322802(2)	9/20/2012	dmjohnson



46	F91152006	4.760 ft	BELTING, 1-PLY .06X2.50X57.13"
45	F84212122	4	SMS, FLT X HD #8 X 3/4"
44	F83453402	101	SMS, PAN X HD, #8 X 3/4"
43	F83451201	32	SMS, PAN X HD, #8 X 1/2"
42	F83450101	12	SMS, PAN X HD, #8 X 1.00"
41	F83440302	12	SMS, FLAT CROSS HEAD #10 X 1.75"
40	F83440301	19	SMS, FLAT CROSS HEAD #10 X 1.50"
39	F82400002	17	NAIL, 14 GA X 3/4" THRD, 7/32" HD T304SS
38	F82071401	2	STUD, DOWEL 1/4-20 X 2.50"
37	F11303842	2	BRACKET, PITMAN BOARD, 7.50"
36	F03328700	2	DEFLECTOR, GRAIN 2.50 X 2.00"
35	F03323113	1	COVER, PITMAN BOARD 56.67", 298D
34	F03323002	1	METAL, BOTTOM NOSING, BOTTOM SHOE, X298D
33	F03321301	1	DOOR ASSY, BTM SHOE GRAIN DEFLECTOR, SX298D
32	F03320500	2	END IRON, BOTTOM SHOE, X29D/X298D
31	F03320414	1	METAL, BOTTOM REAR, BOTTOM SHOE, X298D
30	F03320413	1	METAL, BOTTOM FRONT, BOTTOM SHOE, X298D
29	F03301002	2	SLIDE, SPOUT, SHOE, 298D
28	F03300500	2	STRAP, PITMAN, SHOE SIDE, 29D/298D
27	F03300300	2	END IRON, BOTTOM SHOE, 29D/298D
26	F03127105	1	BOARD, FRONT LOWER, SHOE, SX298D
25	F03124303	1	BOARD, REAR, SPOUT GIRT, X298D
24	F03124201	1	BOARD, FNT, SPOUT GIRT, BTM SHOE, SX298D
23	F03124101	2	BOARD, BOTTOM CROSS 4.00", SX298D
22	F03124010	3	BOARD, CROSS, BOTTOM SPOUT, SX298D
21	F03123901	1	BOARD, PITMAN, SX298D
20	F03123802	1	SIDE, SHOE, LH BTM, RH DISCH, X29D/X298D
19	F03123801	1	SIDE, SHOE, RH BTM, RH DISCH, X29D/X298D
18	F03101805	2	BOARD ASSY, HANGER 3.50 X #8
17	F03101720	2	BOARD, SPOUT TRACK, 298D
16	F03101505	1	BOARD, BOTTOM NOSING, SHOE, X298D
15	F03002801	1	GIRT WLDMT, SHOE, X298D
14	F01805202	4	WASHER, FLAT .406 X 1.50 X .12
13	F01801700	4	PLATE, ESCUTCHION, TILT ROD ROCKER
12	F01200300	4	RACK, STRAIGHT ROCKER ADJUSTING
11	70010521	32	SCW, DECK FLT HD #6 X 2.00"
10	66784400	4	NUT, HEX SERR LOCK 3/8-16
9	66444400	4	WASHER, LOCK HELICAL 3/8"
8	66443300	2	WASHER, LOCK HELICAL 1/4"
7	66404400	4	WASHER, FLAT 3/8" NARROW TYPE A
6	66403300	2	WASHER, FLAT, 1/4"
5	66363300	2	NUT, WING 1/4-20 TYPE B STYLE 1
4	66084400	4	NUT, HEX 3/8-16
3	65852226	18	SMS, FLT X HD #8 X 1.25"
2	62584442	4	HHCS, 3/8-16 X 3.00"
1	62584428	4	HHCS, 3/8-16 X 1.50"



CLIPPER
GRAVIMETRIC TECHNOLOGICAL
SINCE 1869

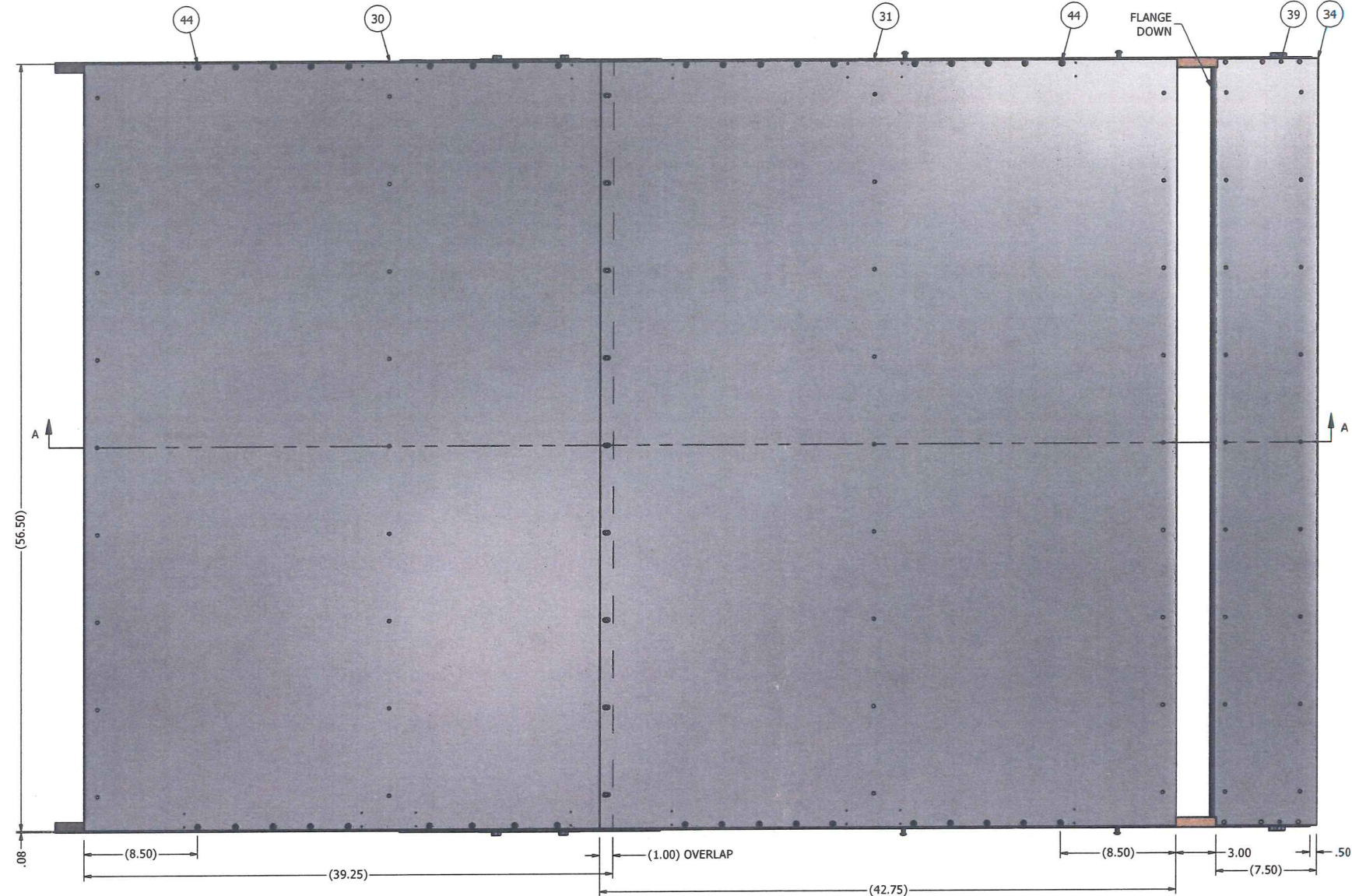
DIVISION OF
A.T. FERRELL COMPANY
1440 S ADAMS ST
BLUFFTON, INDIANA
48714 - USA
PH: 260-824-3400
FAX: 260-824-5463

This drawing is the property of the A.T. Ferrell Company, Inc and must be returned immediately upon request.
 No part of this drawing may be reproduced, stored in a retrieval system or transmitted in any form or by any means, without prior written consent of the A.T. Ferrell Company, Inc.

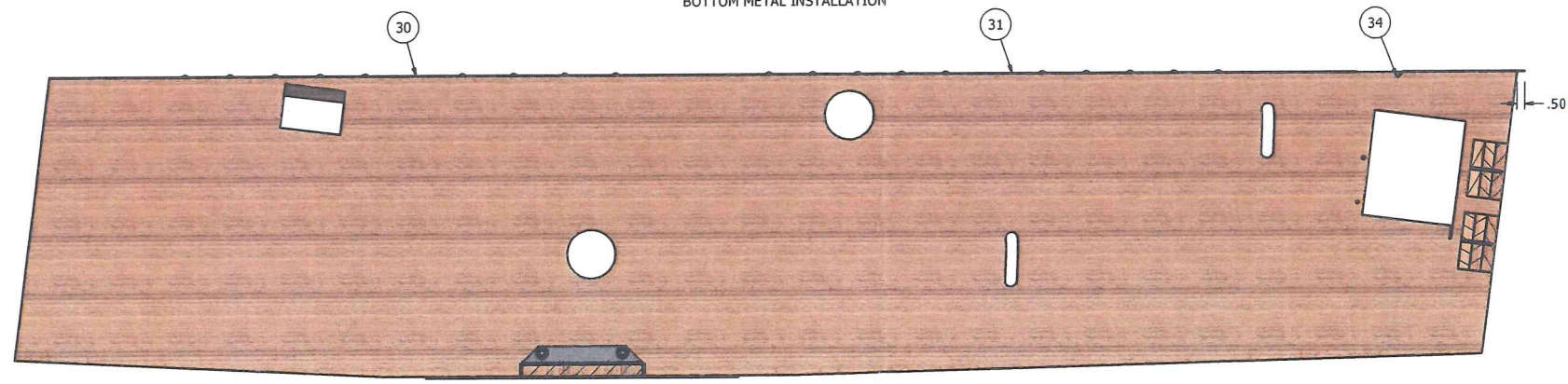
TOLERANCES EXCEPT AS NOTED:		TITLE:	
DECIMAL:	FRACTIONAL:	SHOE ASSY, BOTTOM RH, SX298D	
XX ± .030	± 1/32	FINISH:	
XXX ± .005	ANGULAR:	NONE	
XXXX ± .001	± 1/2°	SCALE:	SHEET:
CAD NO MANUAL CHANGES		1:4	1 OF 5
SIZE:		PART NUMBER:	
D		F03013201	
REV:		C	

NOTES:
 1. DO NOT SCALE FROM DRAWING.
 2. ONE PIECE REQUIRED PER F03013208: SHOE ASSY, BOTTOM RH W/ROCKERS, SX298D.

REVISION HISTORY				
REV	ECN	DESCRIPTION	DATE	APPROVED
A	XXXXXX	RELEASE	5/21/1957	DR
B	XXXXXX	9.00, 11.50 & 11.63 WAS 7.50, 12.25 & 12.38"	7/29/1974	M
C	F120091	REDRAWN CAD, F03321301 WAS F03127103(1), F03321300(1) & F03322802(2)	9/20/2012	dmjohnson



BOTTOM VIEW, STEP 2
 SCALE 3/16
 BOTTOM METAL INSTALLATION



SECTION A-A
 SCALE 3/16

46	F91152006	4.760 ft	BELTING, 1-PLY .06X2.50X57.13"
45	F84212122	4	SMS, FLT X HD #8 X 3/4"
44	F83453402	101	SMS, PAN X HD, #8 X 3/4"
43	F83451201	32	SMS, PAN X HD, #8 X 1/2"
42	F83450101	12	SMS, PAN X HD, #8 X 1.00"
41	F83440302	12	SMS, FLAT CROSS HEAD #10 X 1.75"
40	F83440301	19	SMS, FLAT CROSS HEAD #10 X 1.50"
39	F82400002	17	NAIL, 14 GA X 3/4" THRD, 7/32" HD T304SS
38	F82071401	2	STUD, DOWEL 1/4-20 X 2.50"
37	F11303842	2	BRACKET, PITMAN BOARD, 7.50"
36	F03328700	2	DEFLECTOR, GRAIN 2.50 X 2.00"
35	F03323113	1	COVER, PITMAN BOARD 56.67", 298D
34	F03323002	1	METAL, BOTTOM NOSING, BOTTOM SHOE, X298D
33	F03321301	1	DOOR ASSY, BTM SHOE GRAIN DEFLECTOR, SX298D
32	F03320500	2	END IRON, BOTTOM SHOE, X29D/X298D
31	F03320414	1	METAL, BOTTOM REAR, BOTTOM SHOE, X298D
30	F03320413	1	METAL, BOTTOM FRONT, BOTTOM SHOE, X298D
29	F03301002	2	SLIDE, SPOUT, SHOE, 298D
28	F03300500	2	STRAP, PITMAN, SHOE SIDE, 29D/298D
27	F03300300	2	END IRON, BOTTOM SHOE, 29D/298D
26	F03127105	1	BOARD, FRONT LOWER, SHOE, SX298D
25	F03124303	1	BOARD, REAR, SPOUT GIRT, X298D
24	F03124201	1	BOARD, FNT, SPOUT GIRT, BTM SHOE, SX298D
23	F03124101	2	BOARD, BOTTOM CROSS 4.00", SX298D
22	F03124010	3	BOARD, CROSS, BOTTOM SPOUT, SX298D
21	F03123901	1	BOARD, PITMAN, SX298D
20	F03123802	1	SIDE, SHOE, LH BTM, RH DISCH, X29D/X298D
19	F03123801	1	SIDE, SHOE, RH BTM, RH DISCH, X29D/X298D
18	F03101805	2	BOARD ASSY, HANGER 3.50 X #8
17	F03101720	2	BOARD, SPOUT TRACK, 298D
16	F03101505	1	BOARD, BOTTOM NOSING, SHOE, X298D
15	F03002801	1	GIRT WLDMT, SHOE, X298D
14	F01805202	4	WASHER, FLAT .406 X 1.50 X .12
13	F01801700	4	PLATE, ESCUTCHCHEON, TILT ROD ROCKER
12	F01200300	4	RACK, STRAIGHT ROCKER ADJUSTING
11	70010521	32	SCW, DECK FLT HD #6 X 2.00"
10	66784400	4	NUT, HEX SERR LOCK 3/8-16
9	66444400	4	WASHER, LOCK HELICAL 3/8"
8	66443300	2	WASHER, LOCK HELICAL 1/4"
7	66404400	4	WASHER, FLAT 3/8" NARROW TYPE A
6	66403300	2	WASHER, FLAT, 1/4"
5	66363300	2	NUT, WING 1/4-20 TYPE B STYLE 1
4	66084400	4	NUT, HEX 3/8-16
3	65852226	18	SMS, FLT X HD #8 X 1.25"
2	62584442	4	HHCS, 3/8-16 X 3.00"
1	62584428	4	HHCS, 3/8-16 X 1.50"

CAD NO MANUAL CHANGES

CLIPPER
 SEPARATIONAL TECHNOLOGIES
 SINCE 1989

DIVISION OF
 A.T. FERRELL COMPANY
 1440 S ADAMS ST
 BLUFFTON, INDIANA
 46714 - USA
 PH: 260-824-3400
 FAX: 260-824-5463

This drawing is the property of the A.T. Ferrell Company, Inc and must be returned immediately upon request. No part of this drawing may be reproduced, stored in a retrieval system or transmitted in any form or by any means, without prior written consent of the A.T. Ferrell Company, Inc.

TOLERANCES EXCEPT AS NOTED:
 DECIMAL: .005
 FRACTIONAL: 1/32
 ANGULAR: ± 1/2°
 FINISH: NONE

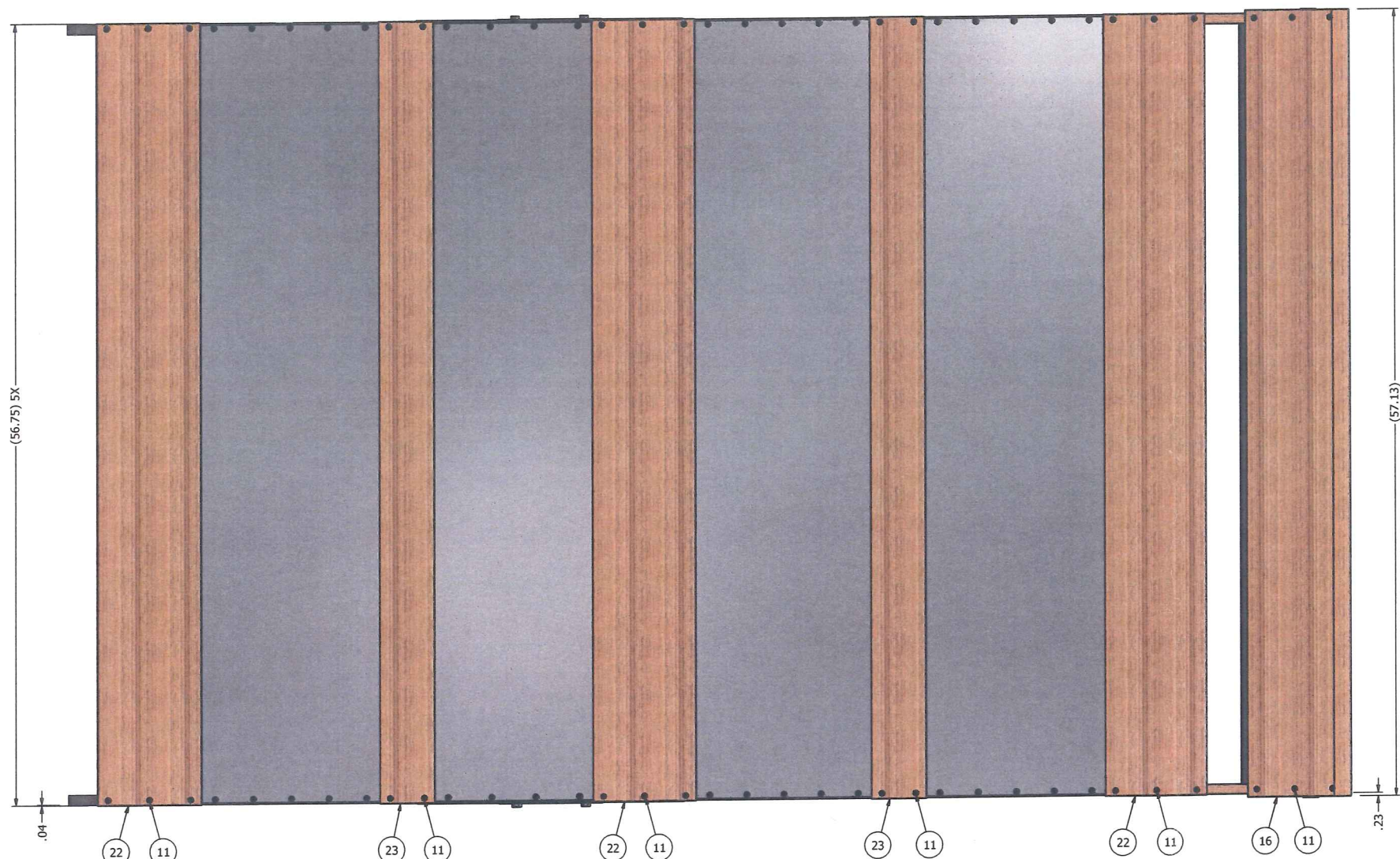
TITLE: SHOE ASSY, BOTTOM RH, SX298D

DRAWN BY: dmjohnson
 DRAWN DATE: 9/20/2012
 APPROVED BY: DMJ

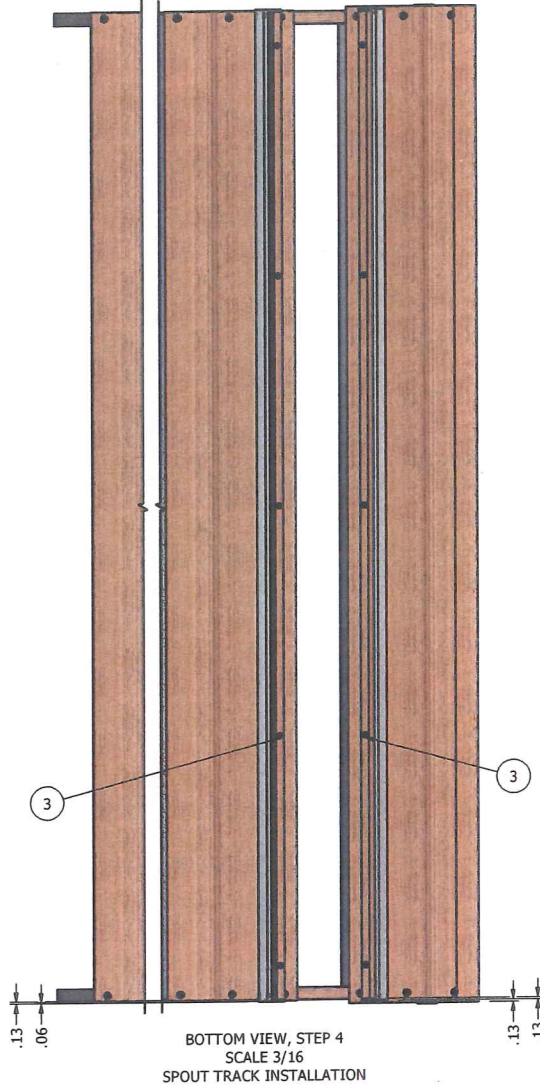
SCALE: 1:4
 SHEET: 2 OF 5
 SIZE: D
 PART NUMBER: F03013201
 REV: C

NOTES:
 1. DO NOT SCALE FROM DRAWING.
 2. ONE PIECE REQUIRED PER F03013208: SHOE ASSY, BOTTOM RH W/ROCKERS, SX298D.

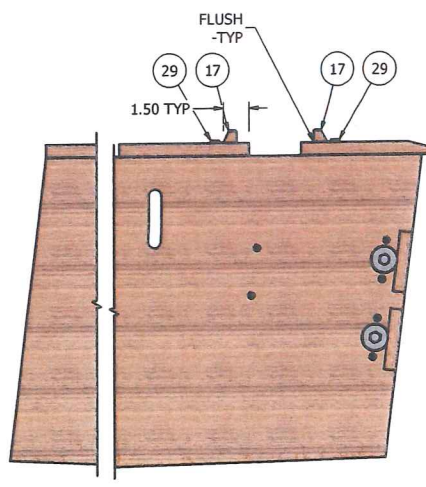
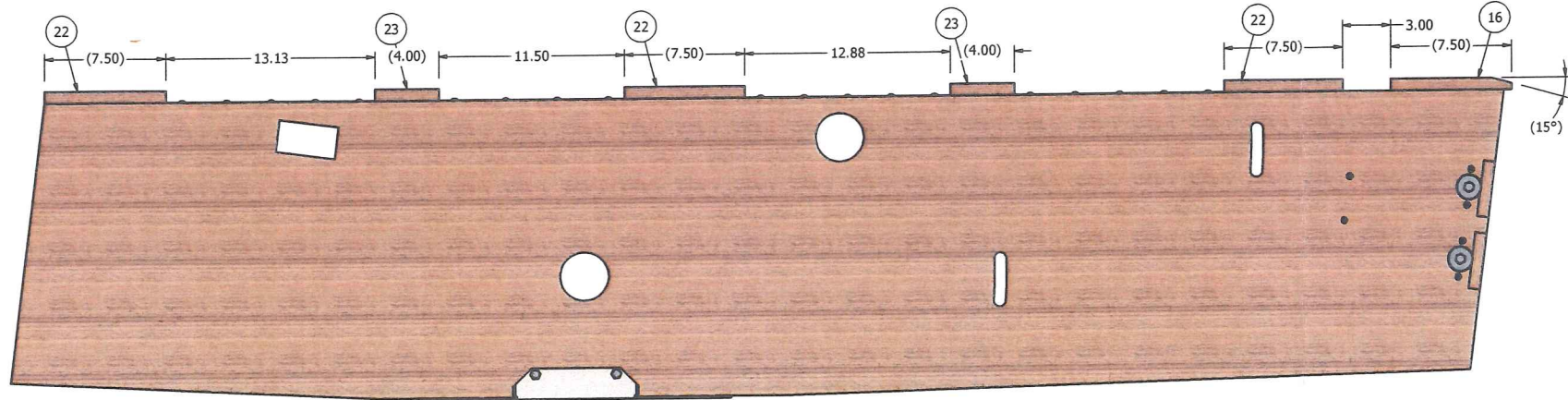
REVISION HISTORY				
REV	ECN	DESCRIPTION	DATE	APPROVED
A	XXXXXX	RELEASE	5/21/1957	DR
B	XXXXXX	9.00, 11.50 & 11.63 WAS 7.50, 12.25 & 12.38"	7/29/1974	M
C	F120091	REDRAWN CAD, F03321301 WAS F03127103(1), F03321300(1) & F03322802(2)	9/20/2012	dmjohnson



BOTTOM VIEW, STEP 3
 SCALE 3/16
 BOTTOM CROSS BOARD INSTALLATION



BOTTOM VIEW, STEP 4
 SCALE 3/16
 SPOUT TRACK INSTALLATION



ITEM	PART NUMBER	QTY	DESCRIPTION
46	F91152006	4.760 ft	BELTING, 1-PLY .06X2.50X57.13"
45	F84212122	4	SMS, FLT X HD #8 X 3/4"
44	F83453402	101	SMS, PAN X HD, #8 X 3/4"
43	F83451201	32	SMS, PAN X HD, #8 X 1/2"
42	F83450101	12	SMS, PAN X HD, #8 X 1.00"
41	F83440302	12	SMS, FLAT CROSS HEAD #10 X 1.75"
40	F83440301	19	SMS, FLAT CROSS HEAD #10 X 1.50"
39	F82400002	17	NAIL, 14 GA X 3/4" THRD, 7/32" HD T304SS
38	F82071401	2	STUD, DOWEL 1/4-20 X 2.50"
37	F11303842	2	BRACKET, PITMAN BOARD, 7.50"
36	F03328700	2	DEFLECTOR, GRAIN 2.50 X 2.00"
35	F03323113	1	COVER, PITMAN BOARD 56.67", 298D
34	F03323002	1	METAL, BOTTOM NOSING, BOTTOM SHOE, X298D
33	F03321301	1	DOOR ASSY, BTM SHOE GRAIN DEFLECTOR, SX298D
32	F03320500	2	END IRON, BOTTOM SHOE, X29D/X298D
31	F03320414	1	METAL, BOTTOM REAR, BOTTOM SHOE, X298D
30	F03320413	1	METAL, BOTTOM FRONT, BOTTOM SHOE, X298D
29	F03301002	2	SLIDE, SPOUT, SHOE, 298D
28	F03300500	2	STRAP, PITMAN, SHOE SIDE, 29D/298D
27	F03300300	2	END IRON, BOTTOM SHOE, 29D/298D
26	F03127105	1	BOARD, FRONT LOWER, SHOE, SX298D
25	F03124303	1	BOARD, REAR, SPOUT GIRT, X298D
24	F03124201	1	BOARD, FNT, SPOUT GIRT, BTM SHOE, SX298D
23	F03124101	2	BOARD, BOTTOM CROSS 4.00", SX298D
22	F03124010	3	BOARD, CROSS, BOTTOM SPOUT, SX298D
21	F03123901	1	BOARD, PITMAN, SX298D
20	F03123802	1	SIDE, SHOE, LH BTM, RH DISCH, X29D/X298D
19	F03123801	1	SIDE, SHOE, RH BTM, RH DISCH, X29D/X298D
18	F03101805	2	BOARD ASSY, HANGER 3.50 X #8
17	F03101720	2	BOARD, SPOUT TRACK, 298D
16	F03101505	1	BOARD, BOTTOM NOSING, SHOE, X298D
15	F03002801	1	GIRT WLDMT, SHOE, X298D
14	F01805202	4	WASHER, FLAT .406 X 1.50 X .12
13	F01801700	4	PLATE, ESCUTCHCHEON, TILT ROD ROCKER
12	F01200300	4	RACK, STRAIGHT ROCKER ADJUSTING
11	70010521	32	SCW, DECK FLT HD #6 X 2.00"
10	66784400	4	NUT, HEX SERR LOCK 3/8-16
9	66444400	4	WASHER, LOCK HELICAL 3/8"
8	66443300	2	WASHER, LOCK HELICAL 1/4"
7	66404400	4	WASHER, FLAT 3/8" NARROW TYPE A
6	66403300	2	WASHER, FLAT, 1/4"
5	66363300	2	NUT, WING 1/4-20 TYPE B STYLE 1
4	66084400	4	NUT, HEX 3/8-16
3	65852226	18	SMS, FLT X HD #8 X 1.25"
2	62584442	4	HHCS, 3/8-16 X 3.00"
1	62584428	4	HHCS, 3/8-16 X 1.50"

CLIPPER
 SEPARATION TECHNOLOGIES
 SINCE 1899

DIVISION OF
 A.T. FERRELL COMPANY
 1440 S ADAMS ST
 BLUFFTON, INDIANA
 46714 - USA
 PH: 260-824-3400
 FAX: 260-824-5463

This drawing is the property of the A. T. Ferrell Company, Inc and must be returned immediately upon request.
 No part of this drawing may be reproduced, stored in a retrieval system or transmitted in any form or by any means, without prior written consent of the A. T. Ferrell Company, Inc.

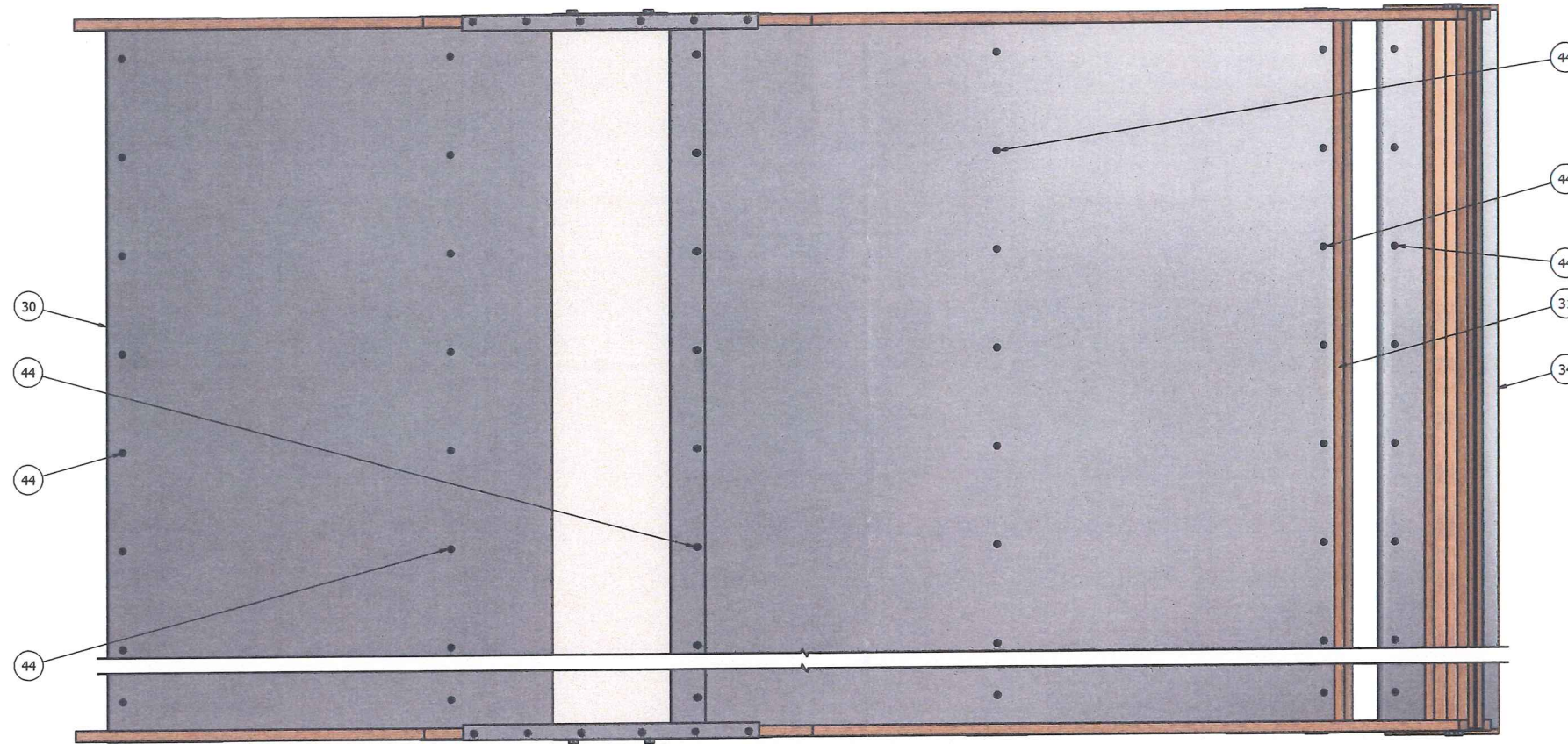
DRAWN BY: dmjohnson
 DRAWN DATE: 9/20/2012
 APPROVED BY: DMJ

TOLERANCES EXCEPT AS NOTED:
 DECIMAL: ± .030
 FRACTIONAL: ± 1/32
 FINISH: NONE
 ANGULAR: ± 1/2°

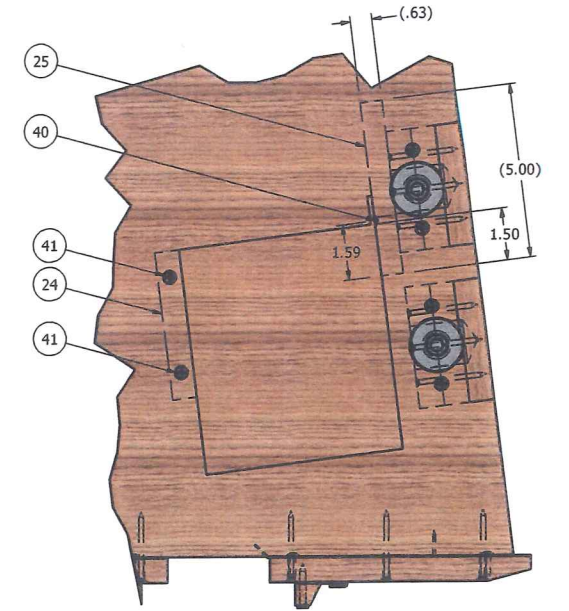
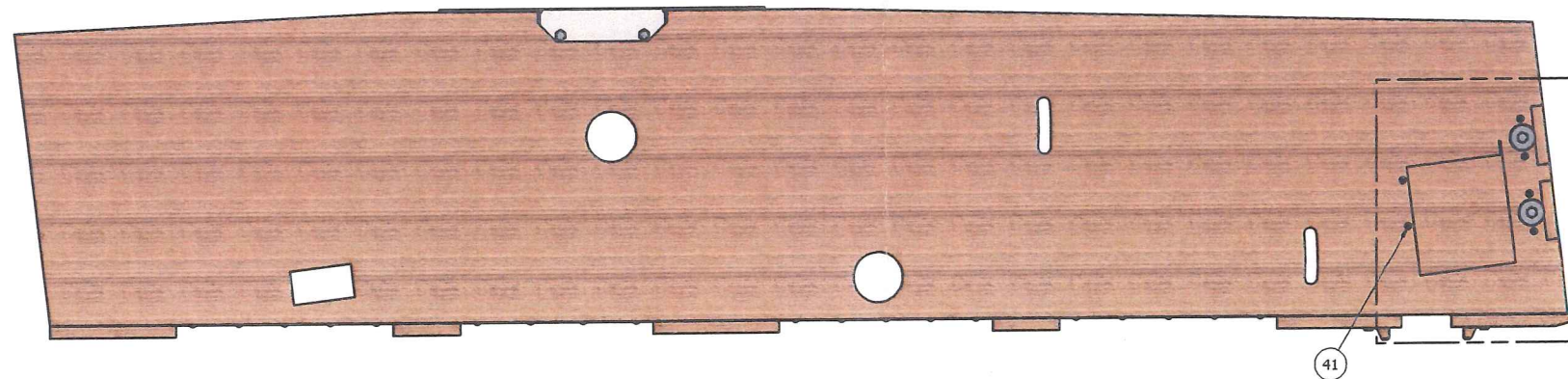
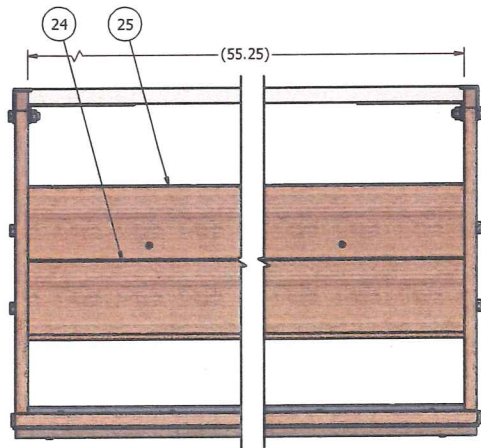
CAD NO MANUAL CHANGES
 SCALE: 1:4
 SHEET: 3 OF 5
 SIZE: D
 PART NUMBER: F03013201
 REV: C

NOTES:
 1. DO NOT SCALE FROM DRAWING.
 2. ONE PIECE REQUIRED PER F03013208: SHOE ASSY, BOTTOM RH W/ROCKERS, SX298D.

REVISION HISTORY				
REV	ECN	DESCRIPTION	DATE	APPROVED
A	XXXXXX	RELEASE	5/21/1957	DR
B	XXXXXX	9.00, 11.50 & 11.63 WAS 7.50, 12.25 & 12.38"	7/29/1974	M
C	F120091	REDRAWN CAD, F03321301 WAS F03127103(1), F03321300(1) & F03322802(2)	9/20/2012	dmjohnson




TOP VIEW, STEP 5
SCALE 3/16
BOTTOM METAL CROSS BOARD SCREW & SPOUT BOARD INSTALLATION



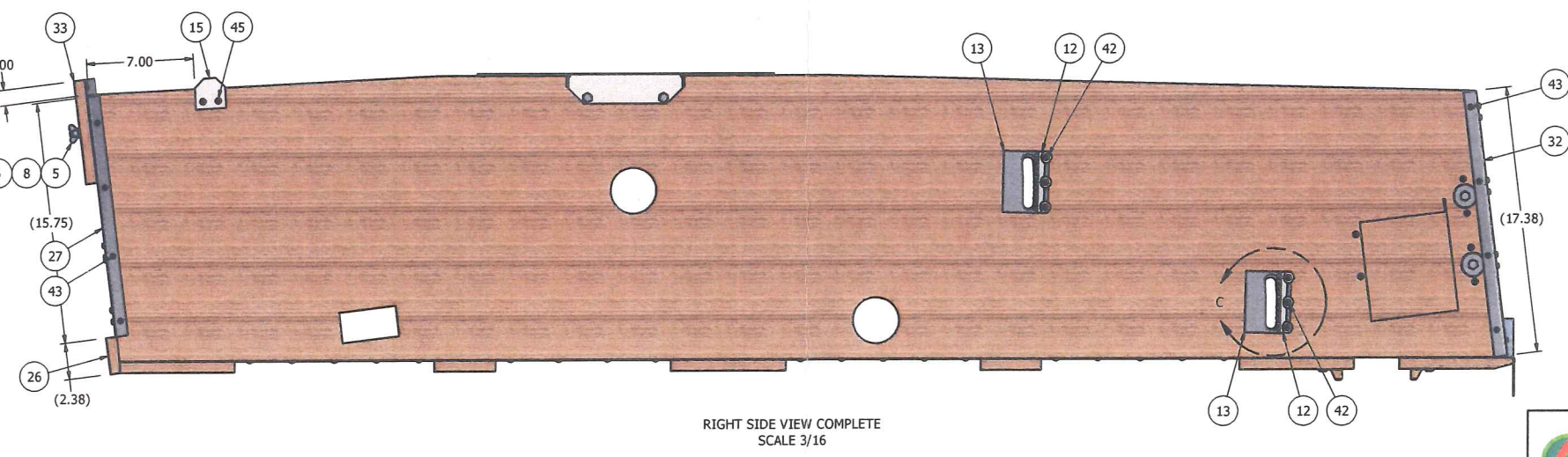
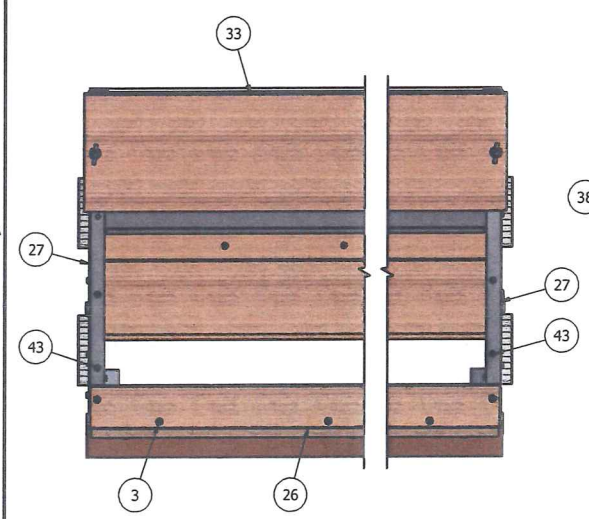
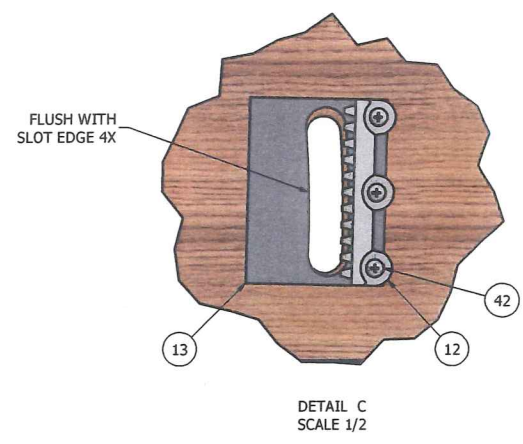
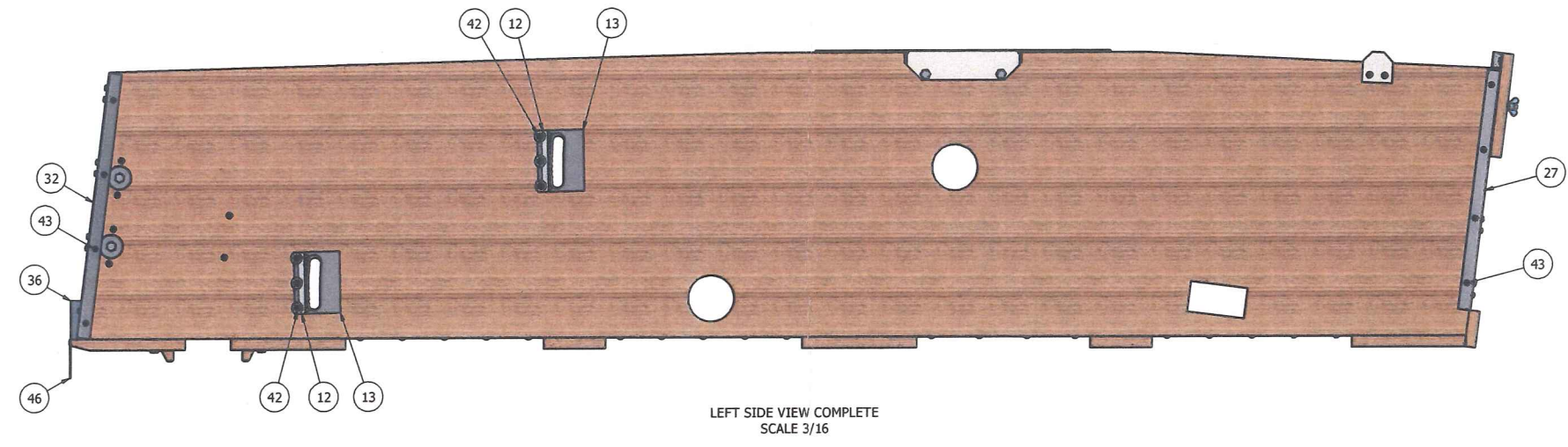
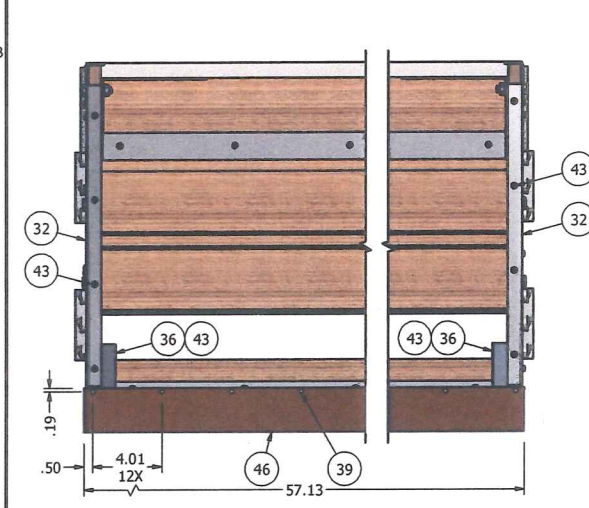
DETAIL B
SCALE 3 / 8

46	F91152006	4.760 ft	BELTING, 1-PLY .06X2.50X57.13"
45	F84212122	4	SMS, FLT X HD #8 X 3/4"
44	F83453402	101	SMS, PAN X HD, #8 X 3/4"
43	F83451201	32	SMS, PAN X HD, #8 X 1/2"
42	F83450101	12	SMS, PAN X HD, #8 X 1.00"
41	F83440302	12	SMS, FLAT CROSS HEAD #10 X 1.75"
40	F83440301	19	SMS, FLAT CROSS HEAD #10 X 1.50"
39	F82400002	17	NAIL, 14 GA X 3/4" THRD, 7/32" HD T304SS
38	F82071401	2	STUD, DOWEL 1/4-20 X 2.50"
37	F11303842	2	BRACKET, PITMAN BOARD, 7.50"
36	F03328700	2	DEFLECTOR, GRAIN 2.50 X 2.00"
35	F03323113	1	COVER, PITMAN BOARD 56.67", 298D
34	F03323002	1	METAL, BOTTOM NOSING, BOTTOM SHOE, X298D
33	F03321301	1	DOOR ASSY, BTM SHOE GRAIN DEFLECTOR, SX298D
32	F03320500	2	END IRON, BOTTOM SHOE, X29D/X298D
31	F03320414	1	METAL, BOTTOM REAR, BOTTOM SHOE, X298D
30	F03320413	1	METAL, BOTTOM FRONT, BOTTOM SHOE, X298D
29	F03301002	2	SLIDE, SPOUT, SHOE, 298D
28	F03300500	2	STRAP, PITMAN, SHOE SIDE, 29D/298D
27	F03300300	2	END IRON, BOTTOM SHOE, 29D/298D
26	F03127105	1	BOARD, FRONT LOWER, SHOE, SX298D
25	F03124303	1	BOARD, REAR, SPOUT GIRT, X298D
24	F03124201	1	BOARD, FNT, SPOUT GIRT, BTM SHOE, SX298D
23	F03124101	2	BOARD, BOTTOM CROSS 4.00", SX298D
22	F03124010	3	BOARD, CROSS, BOTTOM SPOUT, SX298D
21	F03123901	1	BOARD, PITMAN, SX298D
20	F03123802	1	SIDE, SHOE, LH BTM, RH DISCH, X29D/X298D
19	F03123801	1	SIDE, SHOE, RH BTM, RH DISCH, X29D/X298D
18	F03101805	2	BOARD ASSY, HANGER 3.50 X #8
17	F03101720	2	BOARD, SPOUT TRACK, 298D
16	F03101505	1	BOARD, BOTTOM NOSING, SHOE, X298D
15	F03002801	1	GIRT WLDMT, SHOE, X298D
14	F01805202	4	WASHER, FLAT .406 X 1.50 X .12
13	F01801700	4	PLATE, ESCUTCHCHEON, TILT ROD ROCKER
12	F01200300	4	RACK, STRAIGHT ROCKER ADJUSTING
11	70010521	32	SCW, DECK FLT HD #6 X 2.00"
10	66784400	4	NUT, HEX SERR LOCK 3/8-16
9	66444400	4	WASHER, LOCK HELICAL 3/8"
8	66443300	2	WASHER, LOCK HELICAL 1/4"
7	66404400	4	WASHER, FLAT 3/8" NARROW TYPE A
6	66403300	2	WASHER, FLAT, 1/4"
5	66363300	2	NUT, WING 1/4-20 TYPE B STYLE 1
4	66084400	4	NUT, HEX 3/8-16
3	65852226	18	SMS, FLT X HD #8 X 1.25"
2	62584442	4	HHCS, 3/8-16 X 3.00"
1	62584428	4	HHCS, 3/8-16 X 1.50"

	DIVISION OF A. T. FERRELL COMPANY 1440 S ADAMS ST BLUFFTON, INDIANA 46714 - USA PH: 260-824-3400 FAX: 260-824-5483	This drawing is the property of the A. T. Ferrell Company, Inc. and must be returned immediately upon request. No part of this drawing may be reproduced, stored in a retrieval system or transmitted in any form or by any means, without prior written consent of the A. T. Ferrell Company, Inc.
	DRAWN BY: dmjohnson	DRAWN DATE: 9/20/2012
TOLERANCES EXCEPT AS NOTED: DECIMAL: ± .030 FRACTIONAL: ± 1/32 ANGULAR: ± 1/2° FINISH: NONE	TITLE: SHOE ASSY, BOTTOM RH, SX298D	
CAD NO MANUAL CHANGES	SCALE: 1:4 SHEET: 4 OF 5 SIZE: D PART NUMBER: F03013201	REV: C

- NOTES:
 1. DO NOT SCALE FROM DRAWING.
 2. ONE PIECE REQUIRED PER F03013208: SHOE ASSY, BOTTOM RH W/ROCKERS, SX298D.

REV	ECN	DESCRIPTION	DATE	APPROVED
A	XXXXXX	RELEASE	5/21/1957	DR
B	XXXXXX	9.00, 11.50 & 11.63 WAS 7.50, 12.25 & 12.38"	7/29/1974	M
C	F120091	REDRAWN CAD, F03321301 WAS F03127103(1), F03321300(1) & F03322802(2)	9/20/2012	dmjohnson



46	F91152006	4.760 ft	BELTING, 1-PLY .06X2.50X57.13"
45	F84212122	4	SMS, FLT X HD #8 X 3/4"
44	F83453402	101	SMS, PAN X HD, #8 X 3/4"
43	F83451201	32	SMS, PAN X HD, #8 X 1/2"
42	F83450101	12	SMS, PAN X HD, #8 X 1.00"
41	F83440302	12	SMS, FLAT CROSS HEAD #10 X 1.75"
40	F83440301	19	SMS, FLAT CROSS HEAD #10 X 1.50"
39	F82400002	17	NAIL, 14 GA X 3/4" THRD, 7/32" HD T304SS
38	F82071401	2	STUD, DOWEL 1/4-20 X 2.50"
37	F11303842	2	BRACKET, PITMAN BOARD, 7.50"
36	F03328700	2	DEFLECTOR, GRAIN 2.50 X 2.00"
35	F03323113	1	COVER, PITMAN BOARD 56.67", 298D
34	F03323002	1	METAL, BOTTOM NOSING, BOTTOM SHOE, X298D
33	F03321301	1	DOOR ASSY, BTM SHOE GRAIN DEFLECTOR, SX298D
32	F03320500	2	END IRON, BOTTOM SHOE, X29D/X298D
31	F03320414	1	METAL, BOTTOM REAR, BOTTOM SHOE, X298D
30	F03320413	1	METAL, BOTTOM FRONT, BOTTOM SHOE, X298D
29	F03301002	2	SLIDE, SPOUT, SHOE, 298D
28	F03300500	2	STRAP, PITMAN, SHOE SIDE, 29D/298D
27	F03300300	2	END IRON, BOTTOM SHOE, 29D/298D
26	F03127105	1	BOARD, FRONT LOWER, SHOE, SX298D
25	F03124303	1	BOARD, REAR, SPOUT GIRT, X298D
24	F03124201	1	BOARD, FNT, SPOUT GIRT, BTM SHOE, SX298D
23	F03124101	2	BOARD, BOTTOM CROSS 4.00", SX298D
22	F03124010	3	BOARD, CROSS, BOTTOM SPOUT, SX298D
21	F03123901	1	BOARD, PITMAN, SX298D
20	F03123802	1	SIDE, SHOE, LH BTM, RH DISCH, X29D/X298D
19	F03123801	1	SIDE, SHOE, RH BTM, RH DISCH, X29D/X298D
18	F03101805	2	BOARD ASSY, HANGER 3.50 X #8
17	F03101720	2	BOARD, SPOUT TRACK, 298D
16	F03101505	1	BOARD, BOTTOM NOSING, SHOE, X298D
15	F03002801	1	GIRT WLDMT, SHOE, X298D
14	F01805202	4	WASHER, FLAT .406 X 1.50 X .12
13	F01801700	4	PLATE, ESCUTCHCHEON, TILT ROD ROCKER
12	F01200300	4	RACK, STRAIGHT ROCKER ADJUSTING
11	70010521	32	SCW, DECK FLT HD #6 X 2.00"
10	66784400	4	NUT, HEX SERR LOCK 3/8-16
9	66444400	4	WASHER, LOCK HELICAL 3/8"
8	66443300	2	WASHER, LOCK HELICAL 1/4"
7	66404400	4	WASHER, FLAT 3/8" NARROW TYPE A
6	66403300	2	WASHER, FLAT, 1/4"
5	66363300	2	NUT, WING 1/4-20 TYPE B STYLE 1
4	66084400	4	NUT, HEX 3/8-16
3	65852226	18	SMS, FLT X HD #8 X 1.25"
2	62584442	4	HHCS, 3/8-16 X 3.00"
1	62584428	4	HHCS, 3/8-16 X 1.50"

NOTES:
1. DO NOT SCALE FROM DRAWING.
2. ONE PIECE REQUIRED PER F03013208: SHOE ASSY, BOTTOM RH W/ROCKERS, SX298D.

CLIPPER SINCE 1849

DIVISION OF
A.T. FERRELL COMPANY
1440 S ADAMS ST
BLUFFTON, INDIANA
46714 - USA
PH: 260-824-3400
FAX: 260-824-5463

This drawing is the property of the A.T. Ferrell Company, Inc and must be returned immediately upon request. No part of this drawing may be reproduced, stored in a retrieval system or transmitted in any form or by any means, without prior written consent of the A.T. Ferrell Company, Inc.

DRAWN BY: dmjohnson
DRAWN DATE: 9/20/2012
APPROVED BY: DMJ

TOLERANCES EXCEPT AS NOTED:
DECIMAL: ± .030
FRACTIONAL: ± 1/32
ANGULAR: ± 1/2°
FINISH: NONE

CAD NO MANUAL CHANGES

SCALE: 1:4
SHEET: 5 OF 5
SIZE: D
PART NUMBER: F03013201
REV: C