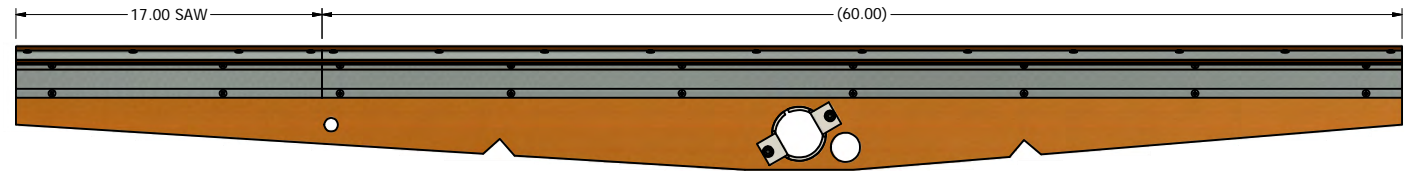
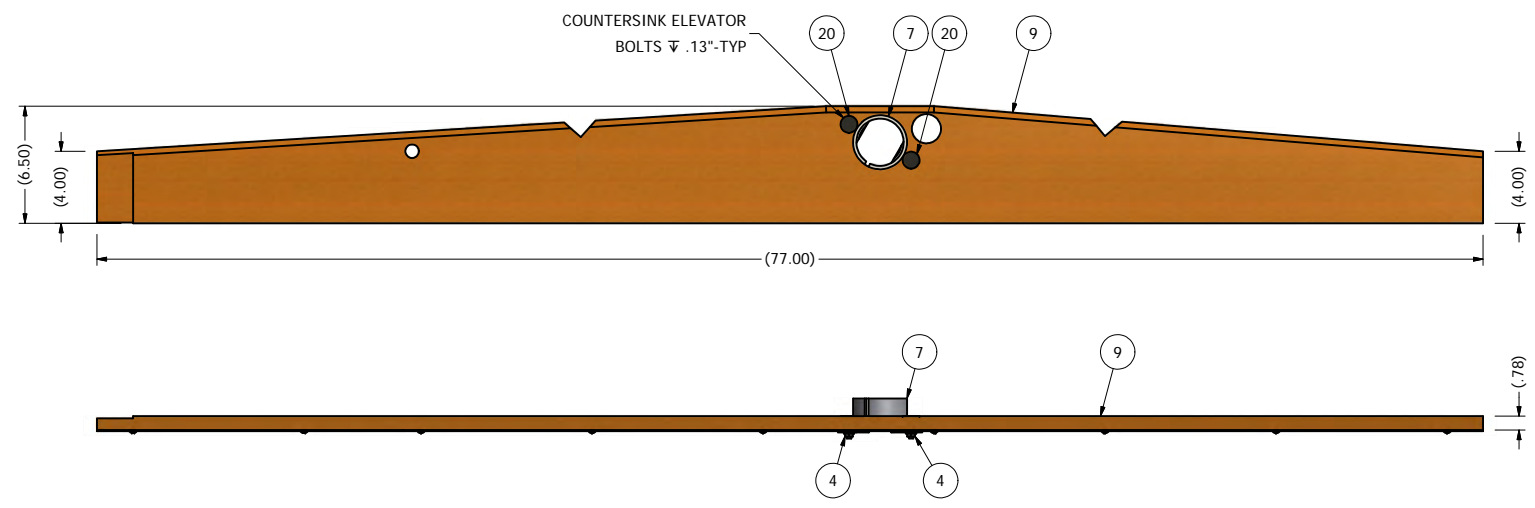


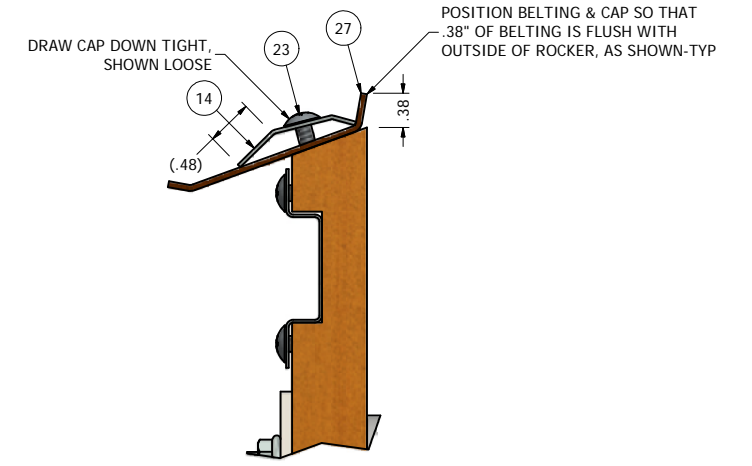
REV	ECN	REVISION HISTORY	DATE	APPROVED
A	XXXXXX	RELEASE	5/9/1957	DR
B	F120091	REDRAWN CAD, WAS C SIZE GROUP DRAWING	9/11/2012	dmjohnson
C	F130052	ROTATE ROCKER CUPS 30 DEG	4/5/2013	dmjohnson



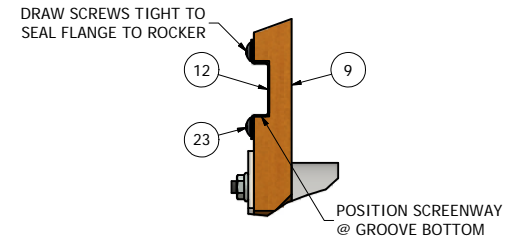
STEP 2: RIGHT ROCKER SIDE ASSEMBLY, LEFT SIDE VIEW  
 TYPICAL ASSEMBLY FOR LEFT ROCKER SIDE



STEP 1: RIGHT ROCKER SIDE ASSEMBLY, LEFT SIDE VIEW  
 TYPICAL ASSEMBLY FOR LEFT ROCKER SIDE



DETAIL B  
 SCALE 1:1



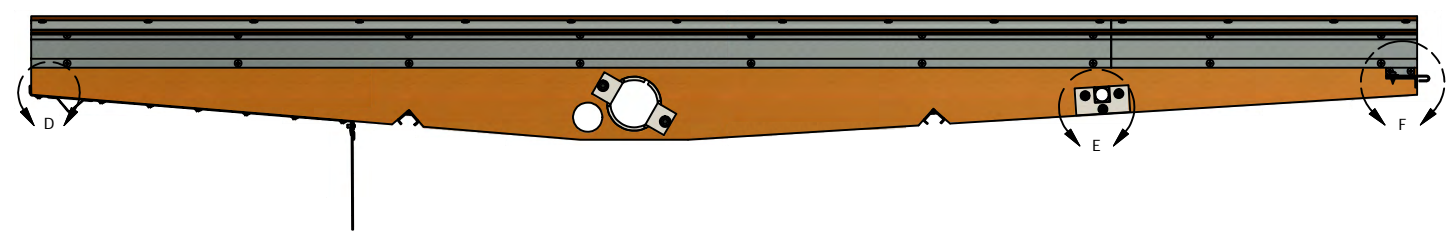
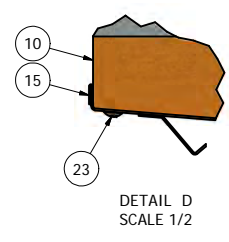
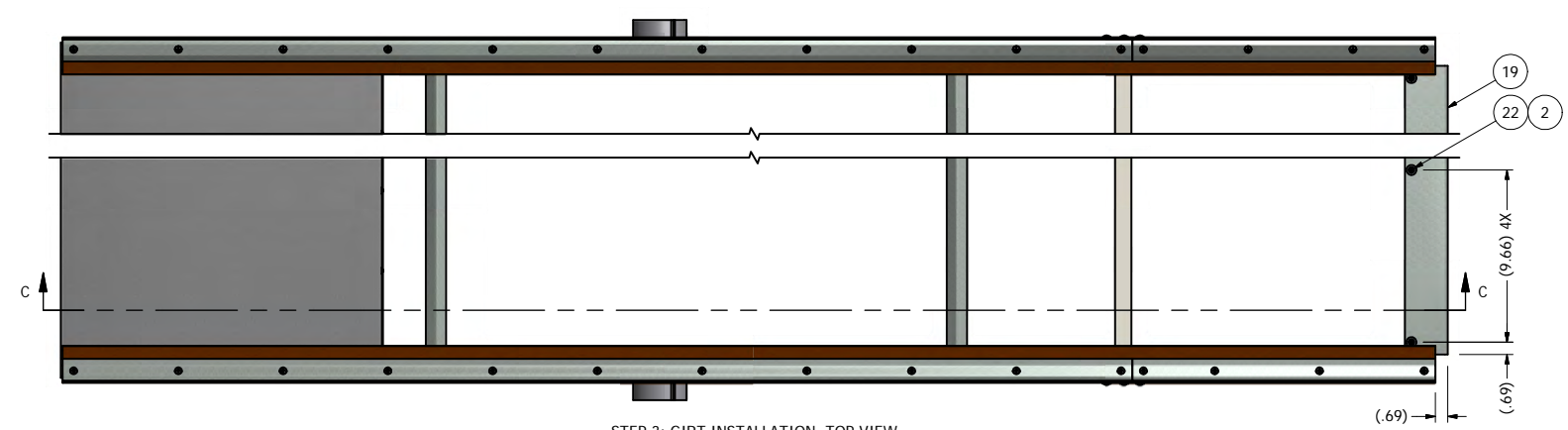
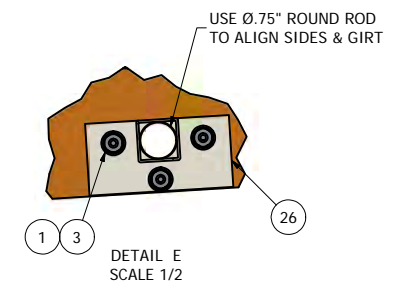
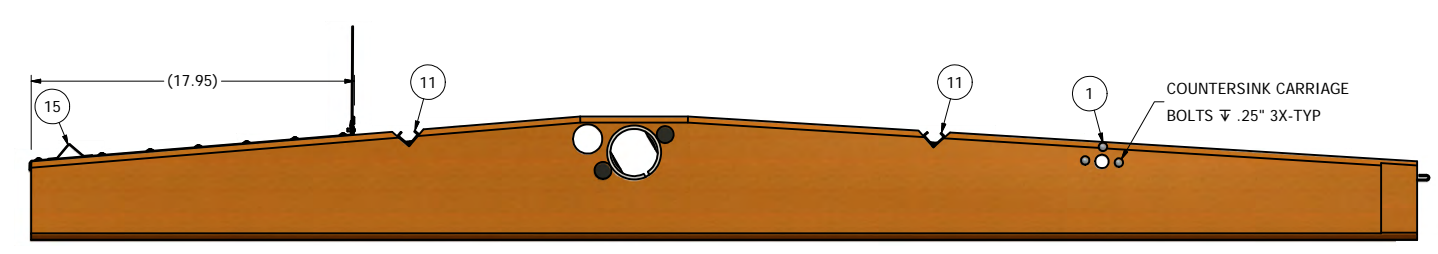
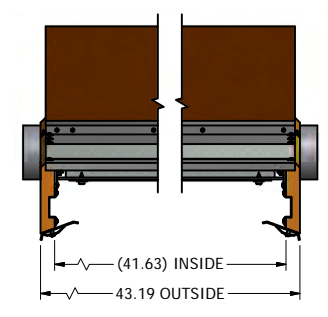
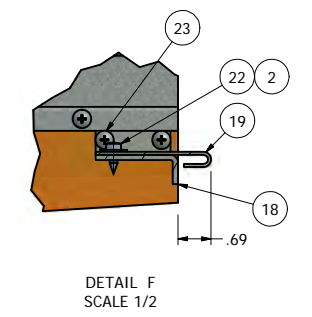
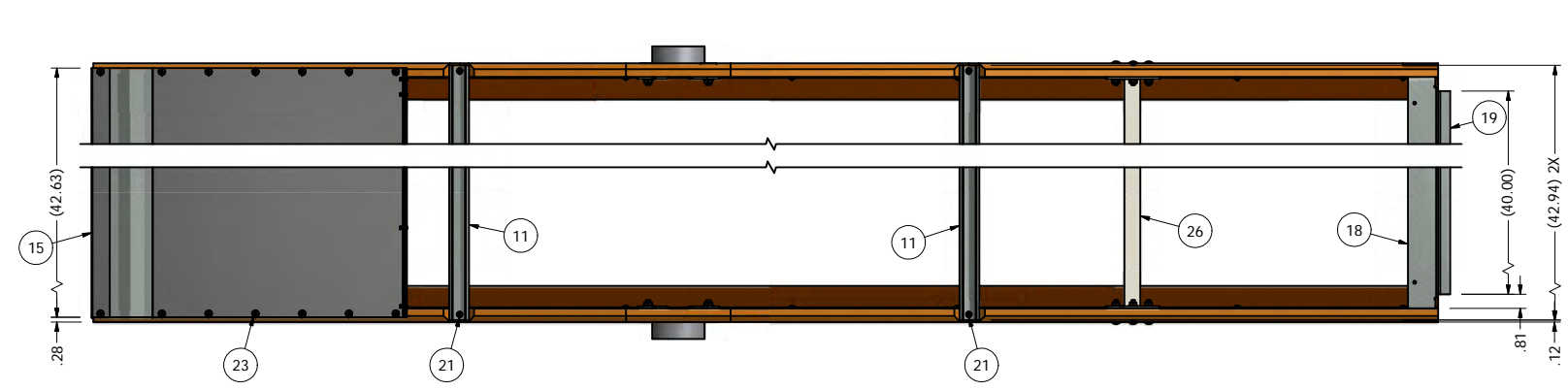
DETAIL A  
 SCALE 1/2

ITEM	PART NUMBER	QTY	DESCRIPTION
27	F91152006	13.167 ft	BELTING, 3 PLY FSXFS 2.50 X 79.00"
26	F90005101	1	GIRT WLDMT, ROCKER ADJUSTMENT, CENTERED, #9
25	F84212122	8	SMS, FLT X HD #8 X 3/4"
24	F83453403	4	SMS, PAN X HD, #10 X 3/4"
23	F83453402	86	SMS, PAN X HD, #8 X 3/4"
22	F83451201	5	SMS, PAN X HD, #8 X 1/2"
21	F83440301	4	SMS, FLAT CROSS HEAD #10 X 1.50"
20	F82021407	4	BOLT, ELEV 1/4-20 X 1.25"
19	F11302511	1	COVER, APRON, ADJ GIRT, ROCKER, #9
18	F11302499	1	MOUNT, APRON, ROCKER, #9
17	F03806000	2	ANGLE, SCREEN STOP, ROCKER
16	F03803300	1	BLANK ASSY, TOP/BTM ROCKER, BTM SHOE, SX29D
15	F03803200	1	BOTTOM METAL ASSY, TOP RKR, BTM SHOE, SX29D
14	F03801100	2	CAP, RUBBER HOLDING, ROCKER, 60.00"
13	F03801100	2	CAP, RUBBER HOLDING, ROCKER, 17.00"
12	F03800401	2	LINER WLDMT, SCREENWAY, ROCKER, 77.00"
11	F03800001	2	BRACE, BOTTOM, ROCKER, #9
10	F03601502	1	SIDE, LH, TOP ROCKER, BTM SHOE, SX29D/SX298D
9	F03601500	1	SIDE, RH, TOP ROCKER, BTM SHOE, SX29D/SX298D
8	F03500800	2	SCREEN HOOK ASSY, STANDARD
7	F03500600	2	CUP WLDMT, ROCKER, HEAVY DUTY BRUSH
6	F03310008	1	GRAIN STOP ASSY, ROCKER, 2.50" X #9
5	70010521	6	SCW, DECK FLT HD #6 X 2.00"
4	66783300	4	NUT, HEX SERR LOCK 1/4-20
3	66782600	6	NUT, HEX SERR LOCK 10-24
2	66402200	5	WASHER, FLAT, #8
1	60282626	6	BOLT, CARR 10-24 X 1.25"

NOTES:  
 1. DO NOT SCALE FROM DRAWING.  
 2. ONE PIECE REQUIRED PER F03013206/07: SHOE ASSY, RH/LH ADJ PITCH BOTTOM, SX29D.  
 3. TWO PIECES REQUIRED PER F03018405/06: SHOE ASSY, RH/LH ADJ PITCH BOTTOM, SX2969D.


	DIVISION OF A.T.FERRELL COMPANY 1440 S ADAMS ST BLUFFTON, INDIANA 46714 - USA PH: 260-824-3400 FAX: 260-824-5463	This drawing is the property of the A.T. Ferrell Company, Inc and must be returned immediately upon request. No part of this drawing may be reproduced, stored in a retrieval system or transmitted in any form or by any means, without prior written consent of the A.T. Ferrell Company, Inc.
	DRAWN BY: dmjohnson	DRAWN DATE: 9/11/2012
TOLERANCES EXCEPT AS NOTED DECIMAL: XX ± .030 FRACTIONAL: XX ± 1/32 XXX ± .005 .XXX ± .001	TITLE: ROCKER ASSY, TOP, BOTTOM SHOE, SX29D	FINISH: NONE
<b>CAD</b> NO MANUAL CHANGES	SCALE: 0.19:1	SHEET: 1 OF 3
SIZE: D	PART NUMBER: F03501900	REV: C

REV	ECN	DESCRIPTION	DATE	APPROVED
A	XXXXXX	RELEASE	5/9/1957	DR
B	F120091	REDRAWN CAD, WAS C SIZE GROUP DRAWING	9/11/2012	dmjohnson
C	F130052	ROTATE ROCKER CUPS 30 DEG	4/5/2013	dmjohnson



ITEM	PART NUMBER	QTY	DESCRIPTION
27	F91152006	13.167 ft	BELTING, 3 PLY FSXFS 2.50 X 79.00"
26	F90005101	1	GIRT WLDMT, ROCKER ADJUSTMENT, CENTERED, #9
25	F84212122	8	SMS, FLT X HD #8 X 3/4"
24	F83453403	4	SMS, PAN X HD, #10 X 3/4"
23	F83453402	86	SMS, PAN X HD, #8 X 3/4"
22	F83451201	5	SMS, PAN X HD, #8 X 1/2"
21	F83440301	4	SMS, FLAT CROSS HEAD #10 X 1.50"
20	F82021407	4	BOLT, ELEV 1/4-20 X 1.25"
19	F11302511	1	COVER, APRON, ADJ GIRT, ROCKER, #9
18	F11302499	1	MOUNT, APRON, ROCKER, #9
17	F03806000	2	ANGLE, SCREEN STOP, ROCKER
16	F03803300	1	BLANK ASSY, TOP/BTM ROCKER, BTM SHOE, SX29D
15	F03803200	1	BOTTOM METAL ASSY, TOP RKR, BTM SHOE, SX29D
14	F03801100	2	CAP, RUBBER HOLDING, ROCKER, 60.00"
13	F03801100	2	CAP, RUBBER HOLDING, ROCKER, 17.00"
12	F03800401	2	LINER WLDMT, SCREENWAY, ROCKER, 77.00"
11	F03800001	2	BRACE, BOTTOM, ROCKER, #9
10	F03601502	1	SIDE, LH, TOP ROCKER, BTM SHOE, SX29D/SX298D
9	F03601500	1	SIDE, RH, TOP ROCKER, BTM SHOE, SX29D/SX298D
8	F03500800	2	SCREEN HOOK ASSY, STANDARD
7	F03500600	2	CUP WLDMT, ROCKER, HEAVY DUTY BRUSH
6	F03310008	1	GRAIN STOP ASSY, ROCKER, 2.50" X #9
5	70010521	6	SCW, DECK FLT HD #6 X 2.00"
4	66783300	4	NUT, HEX SERR LOCK 1/4-20
3	66782600	6	NUT, HEX SERR LOCK 10-24
2	66402200	5	WASHER, FLAT, #8
1	60282626	6	BOLT, CARR 10-24 X 1.25"

NOTES:  
 1. DO NOT SCALE FROM DRAWING.  
 2. ONE PIECE REQUIRED PER F03013206/07: SHOE ASSY, RH/LH ADJ PITCH BOTTOM, SX29D.  
 3. TWO PIECES REQUIRED PER F03018405/06: SHOE ASSY, RH/LH ADJ PITCH BOTTOM, SX2969D.



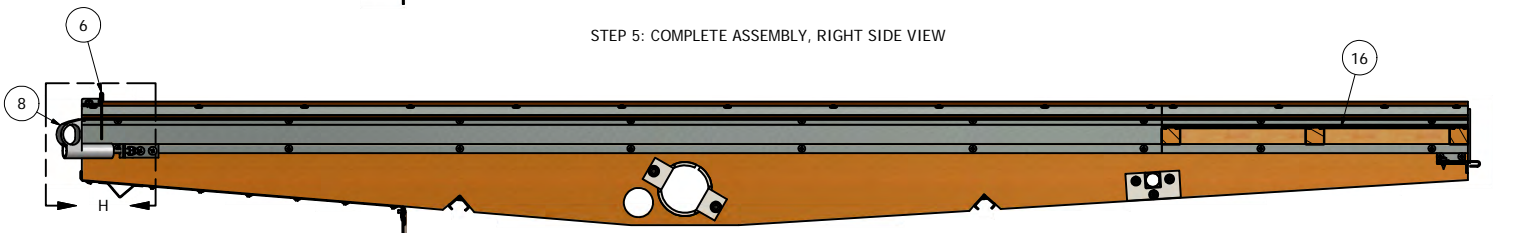
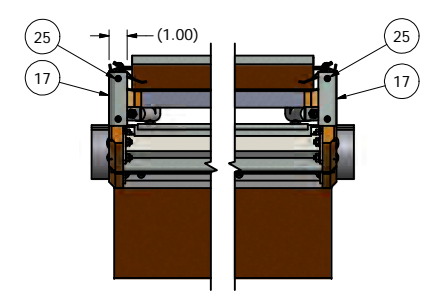
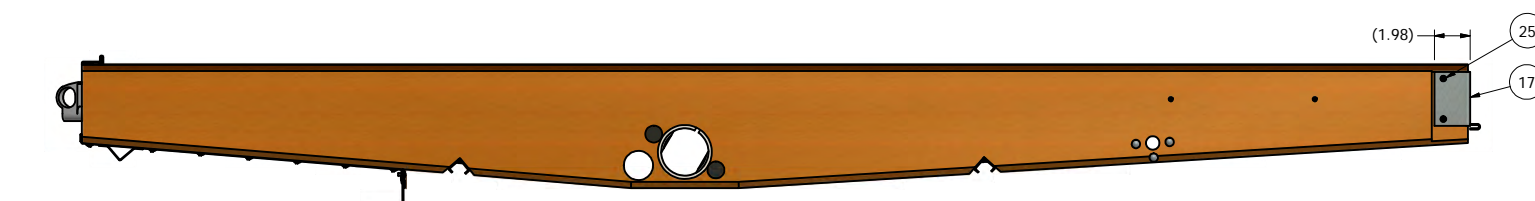
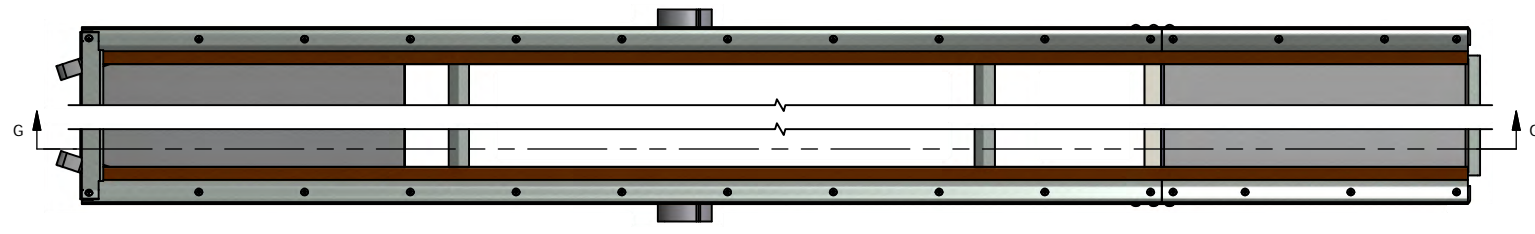
**CLIPPER**  
SEPARATION TECHNOLOGIES  
SINCE 1988

**DIVISION OF**  
**A.T.FERRELL COMPANY**  
 1440 S ADAMS ST  
 BLUFFTON, INDIANA  
 46714 - USA  
 PH: 260-824-3400  
 FAX: 260-824-5463

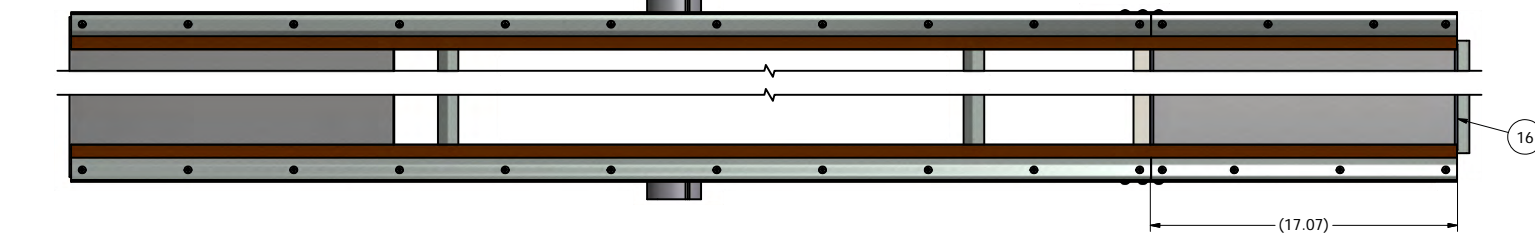
This drawing is the property of the A.T. Ferrell Company, Inc and must be returned immediately upon request. No part of this drawing may be reproduced, stored in a retrieval system or transmitted in any form or by any means, without prior written consent of the A.T. Ferrell Company, Inc.

TOLERANCES EXCEPT AS NOTED		TITLE:	
DECIMAL:	FRACTIONAL:	ROCKER ASSY, TOP, BOTTOM SHOE, SX29D	
XX ± .030	± 1/32	FINISH:	NONE
XXX ± .005	ANGULAR: ± 1/2°	SCALE:	0.19:1
XXXX ± .001		SHEET:	2 OF 3
CAD NO MANUAL CHANGES		SIZE:	D
		PART NUMBER:	F03501900
		REV:	C

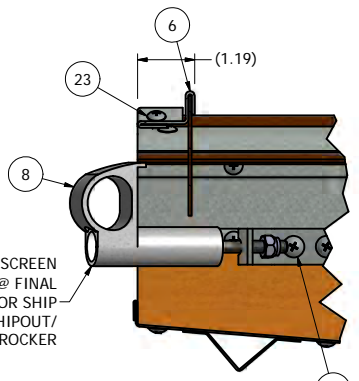
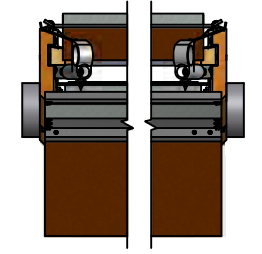
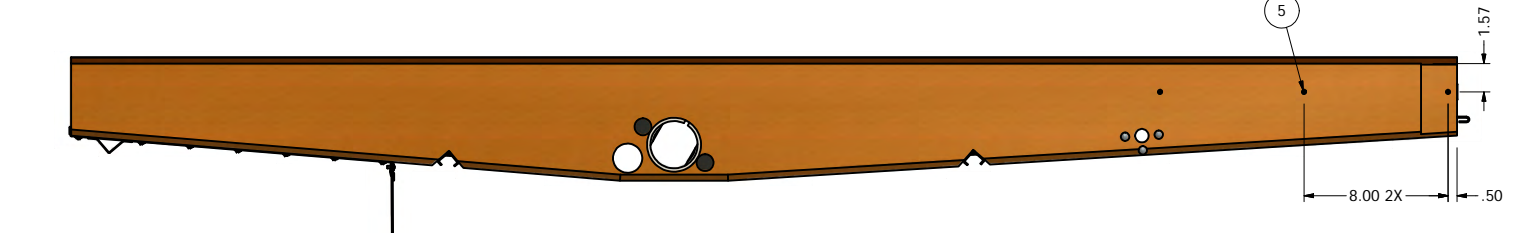
REV	ECN	REVISION HISTORY	DATE	APPROVED
A	XXXXXX	RELEASE	5/9/1957	DR
B	F120091	REDRAWN CAD, WAS C SIZE GROUP DRAWING	9/11/2012	dmjohnson
C	F130052	ROTATE ROCKER CUPS 30 DEG	4/5/2013	dmjohnson



STEP 5: COMPLETE ASSEMBLY, RIGHT SIDE VIEW

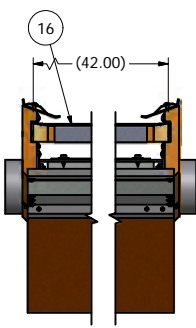


STEP 4: BLANK INSTALLATION, TOP VIEW



DETAIL H  
SCALE 1/2

INSTALL ALL SCREEN HOOKS @ FINAL ASSEMBLY OR SHIP LOOSE FOR SHIPOUT/REPLACEMENT ROCKER



ITEM	PART NUMBER	QTY	DESCRIPTION
27	F91152006	13.167 ft	BELTING, 3 PLY FSXFS 2.50 X 79.00"
26	F90005101	1	GIRT WLDMT, ROCKER ADJUSTMENT, CENTERED, #9
25	F84212122	8	SMS, FLT X HD #8 X 3/4"
24	F83453403	4	SMS, PAN X HD, #10 X 3/4"
23	F83453402	86	SMS, PAN X HD, #8 X 3/4"
22	F83451201	5	SMS, PAN X HD, #8 X 1/2"
21	F83440301	4	SMS, FLAT CROSS HEAD #10 X 1.50"
20	F82021407	4	BOLT, ELEV 1/4-20 X 1.25"
19	F11302511	1	COVER, APRON, ADJ GIRT, ROCKER, #9
18	F11302499	1	MOUNT, APRON, ROCKER, #9
17	F03806000	2	ANGLE, SCREEN STOP, ROCKER
16	F03803300	1	BLANK ASSY, TOP/BTM ROCKER, BTM SHOE, SX29D
15	F03803200	1	BOTTOM METAL ASSY, TOP RKR, BTM SHOE, SX29D
14	F03801100	2	CAP, RUBBER HOLDING, ROCKER, 60.00"
13	F03801100	2	CAP, RUBBER HOLDING, ROCKER, 17.00"
12	F03800401	2	LINER WLDMT, SCREENWAY, ROCKER, 77.00"
11	F03800001	2	BRACE, BOTTOM, ROCKER, #9
10	F03601502	1	SIDE, LH, TOP ROCKER, BTM SHOE, SX29D/SX298D
9	F03601500	1	SIDE, RH, TOP ROCKER, BTM SHOE, SX29D/SX298D
8	F03500800	2	SCREEN HOOK ASSY, STANDARD
7	F03500600	2	CUP WLDMT, ROCKER, HEAVY DUTY BRUSH
6	F03310008	1	GRAIN STOP ASSY, ROCKER, 2.50" X #9
5	70010521	6	SCW, DECK FLT HD #6 X 2.00"
4	66783300	4	NUT, HEX SERR LOCK 1/4-20
3	66782600	6	NUT, HEX SERR LOCK 10-24
2	66402200	5	WASHER, FLAT, #8
1	60282626	6	BOLT, CARR 10-24 X 1.25"

**CLIPPER**  
SEPARATION TECHNOLOGIES  
SINCE 1988

**DIVISION OF**  
A.T.FERRELL COMPANY  
1440 S ADAMS ST  
BLUFFTON, INDIANA  
46714 - USA  
PH: 260-824-3400  
FAX: 260-824-5463

This drawing is the property of the A.T. Ferrell Company, Inc and must be returned immediately upon request. No part of this drawing may be reproduced, stored in a retrieval system or transmitted in any form or by any means, without prior written consent of the A.T. Ferrell Company, Inc.

TOLERANCES EXCEPT AS NOTED	TITLE:
DECIMAL: XX ± .030	ROCKER ASSY, TOP, BOTTOM SHOE, SX29D
FRACTIONAL: XX ± 1/32	
XXX ± .005	FINISH:
XXXX ± .001	NONE
ANGULAR: ± 1/2°	
SCALE: 0.19:1	SHEET: 3 OF 3
SIZE: D	PART NUMBER: F03501900
REV: C	

NOTES:  
 1. DO NOT SCALE FROM DRAWING.  
 2. ONE PIECE REQUIRED PER F03013206/07: SHOE ASSY, RH/LH ADJ PITCH BOTTOM, SX29D.  
 3. TWO PIECES REQUIRED PER F03018405/06: SHOE ASSY, RH/LH ADJ PITCH BOTTOM, SX2969D.

F03501900

A