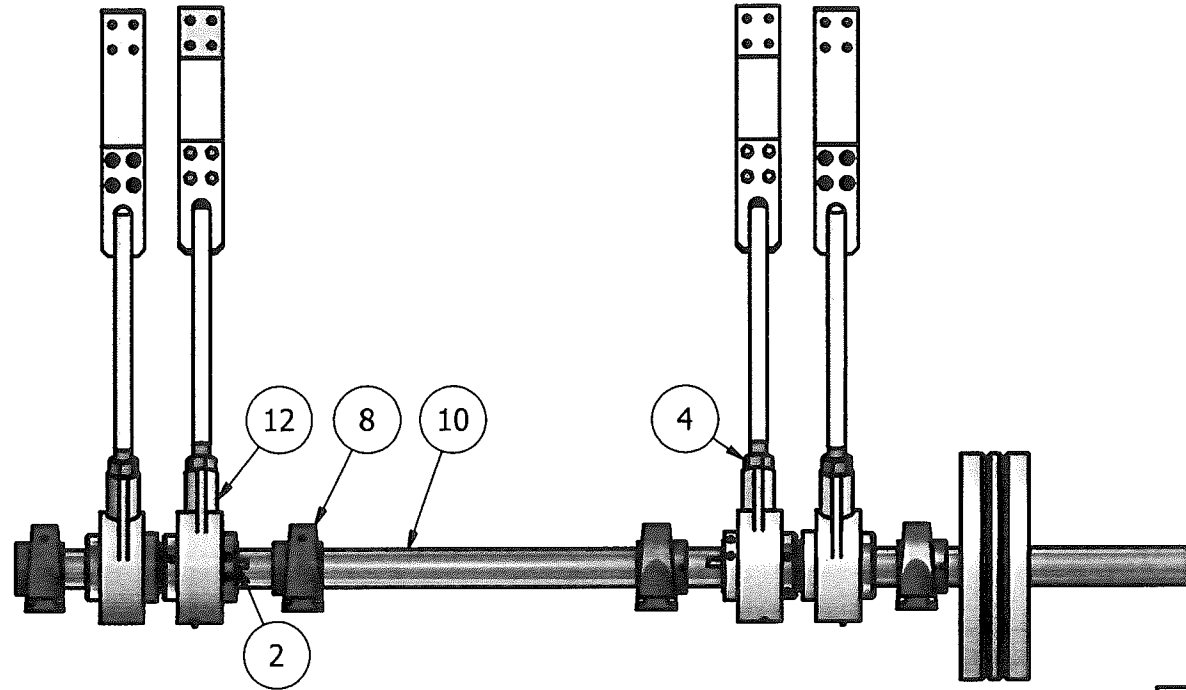
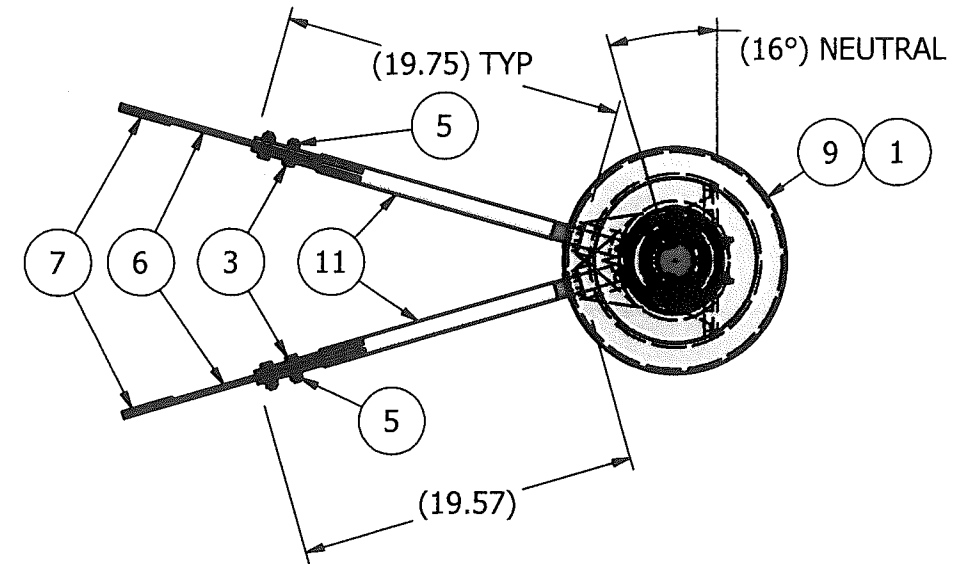
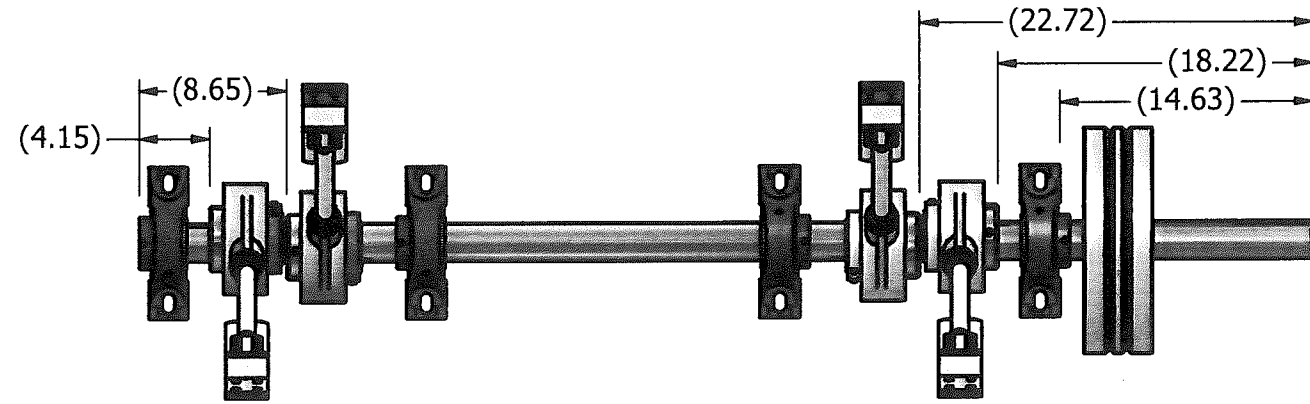


2

1


| REVISION HISTORY | | | | |
|------------------|---------|-----------------------------------|-----------|----------|
| REV | ECN | DESCRIPTION | DATE | APPROVED |
| A | F100171 | REDRAWN IN INVENTOR, UPDATED ASSY | 8/16/2010 | SH |

NOTES:
1. DO NOT SCALE FROM DRAWING.



| ITEM | PART NUMBER | QTY | DESCRIPTION |
|------|-------------|-----|--|
| 12 | F92053051 | 4 | ECCENTRIC ASSY, 2.18 BRG .50 THROW NG |
| 11 | F90006027 | 4 | PITMAN ARM WLDMT, NG |
| 10 | F67680066 | 1 | SHAFT, ECC R _H 2.188" 768MC |
| 9 | F62240060 | 1 | FLYWHEEL WLDMT, TITAN |
| 8 | F40000081 | 4 | BEARING, PB 2.188" RAK |
| 7 | F11303666 | 4 | BACK PLATE, PITMAN CONN, ECCENTRIC, NG |
| 6 | F11303662 | 4 | CONNECTOR, PITMAN ECCENTRIC, NG |
| 5 | 66784400 | 16 | NUT, HEX SERR LOCK 3/8-16 |
| 4 | 66087400 | 4 | NUT, HEX 1-8 |
| 3 | 62584426 | 16 | HHCS, 3/8-16 X 1.25" |
| 2 | 49001064 | 4 | KEY, 1/2" SQ X 4.00" |
| 1 | 49001048 | 1 | KEY, 1/2" SQ X 3.00" |

This drawing is the property of the A.T. Ferrell Company, Inc and must be returned immediately upon request. No part of this drawing may be reproduced, stored in a retrieval system or transmitted in any form or by any means, without prior written consent of the A.T. Ferrell Company, Inc

| | | | | |
|--------------------------------------|---|---|---------------------------|--------------------|
| CAD NO MANUAL CHANGES | |  | | |
| TOLERANCES EXCEPT AS NOTED | | | | |
| DECIMAL: xxx ± .005 xx ± .030 | FINISH: NONE | SCALE: 0.09:1 | DRAWN BY: SAH | APPROVED BY: DJ |
| FRACTIONAL: ± 1/32 | TITLE: ECCENTRIC ASSY, 2.19 768MC, AC R _H | | | |
| ANGULAR: ± 1/2° | DATE: 8/12/2010 | SIZE: B | PART NUMBER: F67680014 | SHEET: 1 of 1 |

2

1

F67680015

B

A

A