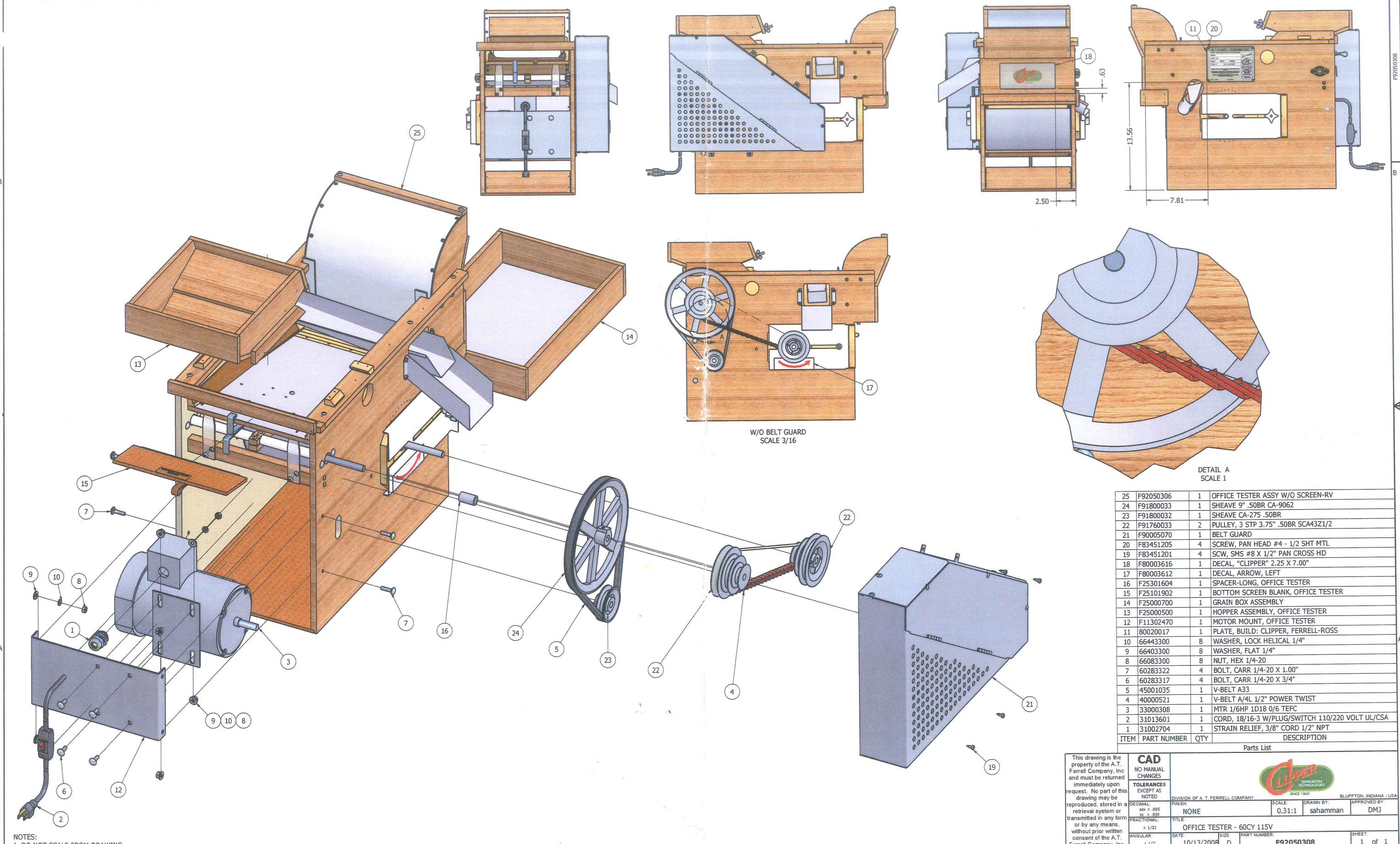


REVISION HISTORY				
REV	ECN	DESCRIPTION	DATE	APPROVED
A	F080181	RELEASED	10/14/2008	SAH



W/O BELT GUARD  
SCALE 3/16

DETAIL A  
SCALE 1

ITEM	PART NUMBER	QTY	DESCRIPTION
25	F92050306	1	OFFICE TESTER ASSY W/O SCREEN-RV
24	F91800033	1	SHEAVE 9" .50BR CA-9062
23	F91800032	1	SHEAVE CA-275 .50BR
22	F91760033	2	PULLEY, 3 STP 3.75" .50BR SCA43Z1/2
21	F90005070	1	BELT GUARD
20	F83451205	4	SCREW, PAN HEAD #4 - 1/2 SHT MTL
19	F83451201	4	SCW, SMS #8 X 1/2" PAN CROSS HD
18	F80003616	1	DECAL, "CLIPPER" 2.25 X 7.00"
17	F80003612	1	DECAL, ARROW, LEFT
16	F25301604	1	SPACER-LONG, OFFICE TESTER
15	F25101902	1	BOTTOM SCREEN BLANK, OFFICE TESTER
14	F25000700	1	GRAIN BOX ASSEMBLY
13	F25000500	1	HOPPER ASSEMBLY, OFFICE TESTER
12	F11302470	1	MOTOR MOUNT, OFFICE TESTER
11	80020017	1	PLATE, BUILD: CLIPPER, FERRELL-ROSS
10	66443300	8	WASHER, LOCK HELICAL 1/4"
9	66403300	8	WASHER, FLAT 1/4"
8	66083300	8	NUT, HEX 1/4-20
7	60283322	4	BOLT, CARR 1/4-20 X 1.00"
6	60283317	4	BOLT, CARR 1/4-20 X 3/4"
5	45001035	1	V-BELT A33
4	40000521	1	V-BELT A/4L 1/2" POWER TWIST
3	33000308	1	MTR 1/6HP 1D18 0/6 TEFC
2	31013601	1	CORD, 18/16-3 W/PLUG/SWITCH 110/220 VOLT UL/CSA
1	31002704	1	STRAIN RELIEF, 3/8" CORD 1/2" NPT

Parts List

NOTES:  
1. DO NOT SCALE FROM DRAWING.

This drawing is the property of the A.T. Ferrell Company, Inc and must be returned immediately upon request. No part of this drawing may be reproduced, stored in a retrieval system or transmitted in any form or by any means, without prior written consent of the A.T. Ferrell Company, Inc

**CAD**  
NO MANUAL CHANGES  
TOLERANCES EXCEPT AS NOTED

DECIMAL: .xxx ± .005  
xx ± .030  
FRACTIONAL: = 1/32  
ANGULAR: = 1/2'

FINISH: NONE  
SCALE: 0.31:1  
DRAWN BY: sahamman  
APPROVED BY: DMJ

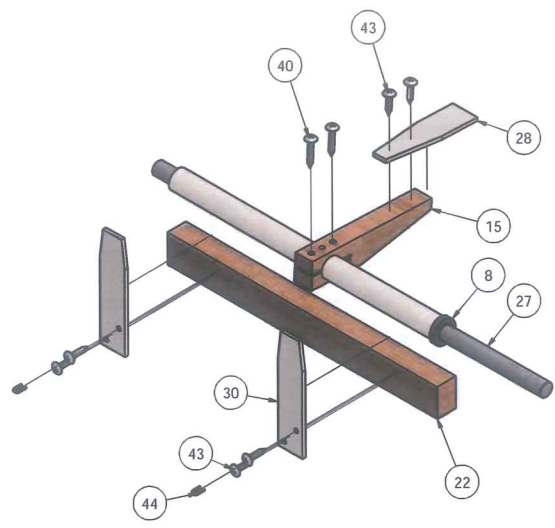
DIVISION OF A. T. FERRELL COMPANY  
BLUFFTON, INDIANA - USA

DATE: 10/13/2008  
SIZE: D  
PART NUMBER: F92050308  
SHEET: 1 of 1

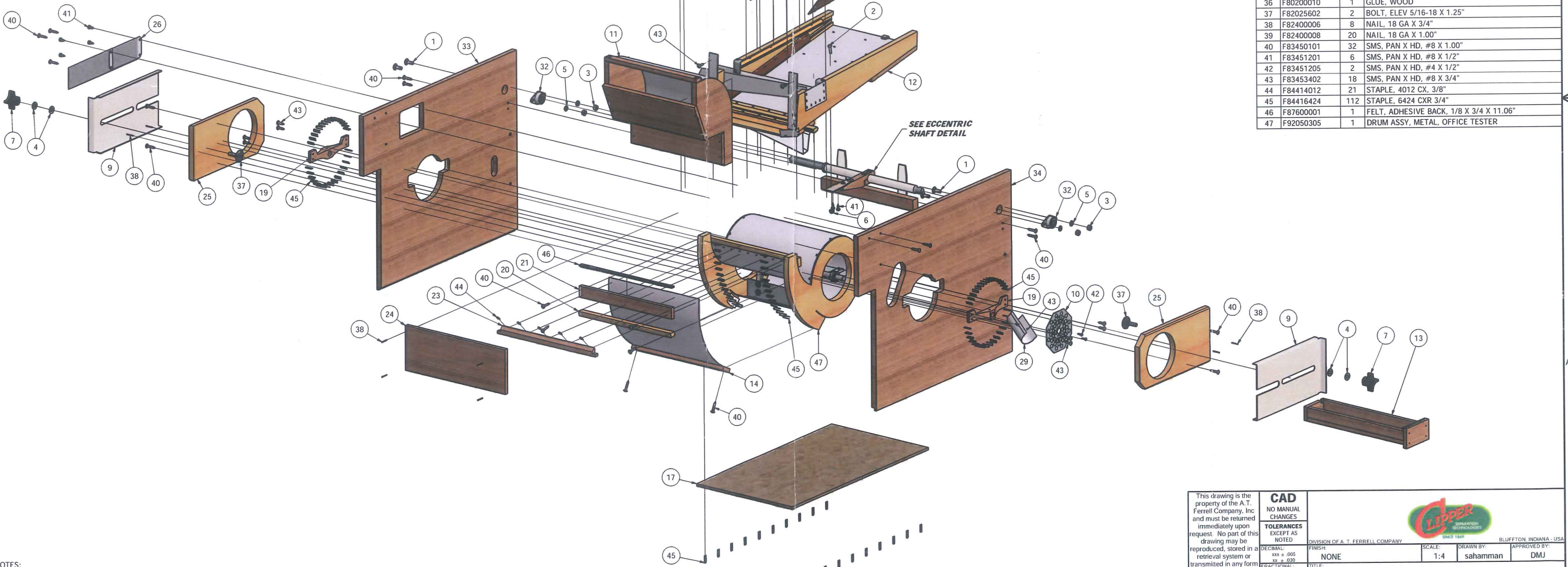
**CLIPPER**  
SEPARATION TECHNOLOGIES  
SINCE 1969



REVISION HISTORY				
REV	ECN	DESCRIPTION	DATE	APPROVED
A	F080181	REDRAWN IN INVENTOR	11/5/2008	SAH
B	F090213	ADDED (1) F11308913 & (2) F83451205	7/22/2009	SAH
C	F120065	F82025601 WAS F82025602	6/28/2012	DAD
D	F120141	.12 WAS FLUSH	12/12/2012	dmjohnson




ECCENTRIC SHAFT DETAIL  
 FROM FRONT SIDE PROJECTION  
 SCALE 3/8"



ITEM	PART NUMBER	QTY	DESCRIPTION
1	60283317	4	BOLT, CARR 1/4-20 X 3/4"
2	62342617	1	SCW, MACH, PAN HD, 10-24 X 3/4"
3	66083300	4	NUT, HEX 1/4-20
4	66403800	4	WASHER, FLAT, TYPE A, 5/16"
5	66443300	4	WASHER, LOCK HELICAL 1/4"
6	67002600	1	NUT, HEX NYLOCK, 10-24
7	80006004	2	KNOB, 4 PRONG PLASTIC, 5/16-18 THRU
8	80014507	1	WASHER, THRUST BRONZE 0.5 X 0.879 X 0.188
9	F11308907	2	AIRSLIDE, FAN, OFFICE TESTER
10	F11308913	1	GUARD, FAN, OFFICE TESTER
11	F25000100	1	HOOD ASSY, OFFICE TESTER
12	F25000400	1	SHOE ASSY, OFFICE TESTER
13	F25000800	1	PENCIL BOX ASSEMBLY, OFFICE TESTER
14	F25001500	1	BREAST IRON ASSY, OFFICE TESTER
15	F25100600	1	PITMAN, OFFICE TESTER
16	F25101501	4	BOARD, HOPPER STOP, OFFICE TESTER
17	F25101901	1	FLOOR, OFFICE TESTER
18	F25102002	1	SILL ASSY, TOP GIRT, OFFICE TESTER
19	F25102400	2	BRIDGE TREE, FAN BEARING, OFFICE TESTER
20	F25102500	1	GUIDE, PENCIL BOX, OFFICE TESTER
21	F25102800	1	BOARD, BREAST IRON, OFFICE TESTER
22	F25102900	1	GIRT, FRONT, OFFICE TESTER
23	F25103000	1	SLIDE, PENCIL BOX, OFFICE TESTER
24	F25103600	1	BOARD, HOOD, REAR, OFFICE TESTER
25	F25300000	2	BOARD, AIR SLIDE, OFFICE TESTER
26	F25301201	1	EXTENSION, STRAW SPOUT, OFFICE TESTER
27	F25301601	1	SHAFT, ECCENTRIC, OFFICE TESTER
28	F25301701	1	HANGER, PITTMAN, OFFICE TESTER
29	F25302100	1	EXTENSION, SAND SPOUT, OFFICE TESTER
30	F25302503	2	HANGER, FRONT, SHOE, OFFICE TESTER
31	F25302504	2	FEED RUBBER, SHOE, OFFICE TESTER
32	F25302800	2	BEARING, FLANGE, .500"
33	F80007503	1	SIDE, MILL RH, OFFICE TESTER
34	F80007504	1	SIDE, MILL LH, OFFICE TESTER
35	F80007505	2	BOARD, SILL, TOP, OFFICE TESTER
36	F80200010	1	GLUE, WOOD
37	F82025602	2	BOLT, ELEV 5/16-18 X 1.25"
38	F82400006	8	NAIL, 18 GA X 3/4"
39	F82400008	20	NAIL, 18 GA X 1.00"
40	F83450101	32	SMS, PAN X HD, #8 X 1.00"
41	F83451201	6	SMS, PAN X HD, #8 X 1/2"
42	F83451205	2	SMS, PAN X HD, #4 X 1/2"
43	F83453402	18	SMS, PAN X HD, #8 X 3/4"
44	F84414012	21	STAPLE, 4012 CX, 3/8"
45	F84416424	112	STAPLE, 6424 CXR 3/4"
46	F87600001	1	FELT, ADHESIVE BACK, 1/8 X 3/4 X 11.06"
47	F92050305	1	DRUM ASSY, METAL, OFFICE TESTER

NOTES:  
 1. DO NOT SCALE FROM DRAWING.  
 2. GLUE AS REQUIRED  
 3. VARNISH AS REQUIRED

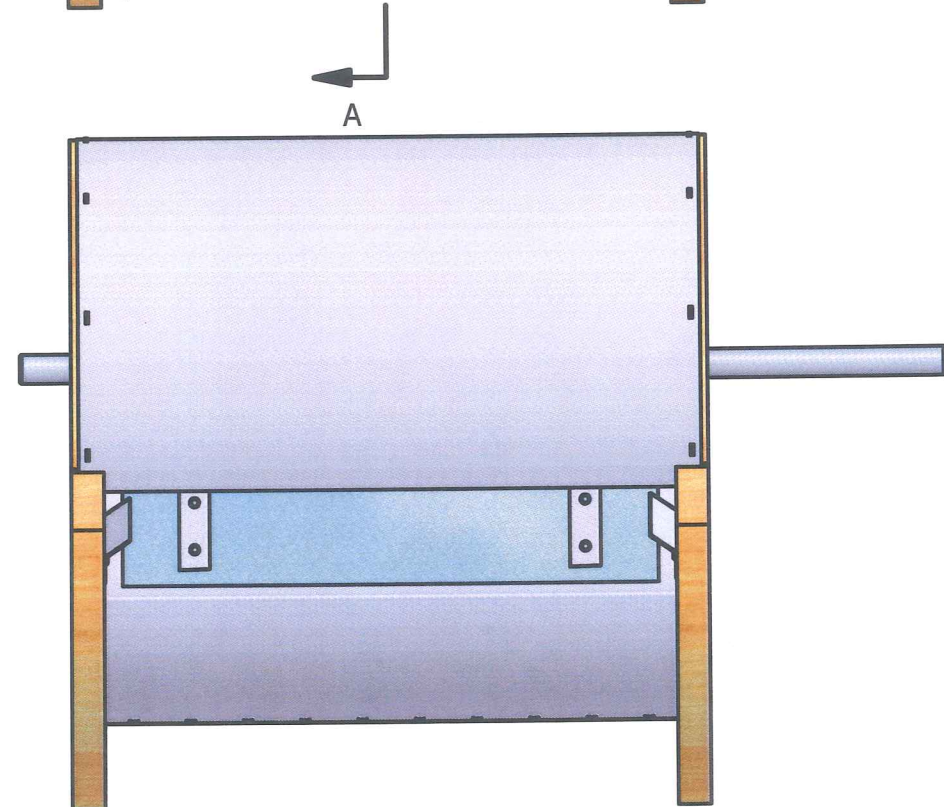
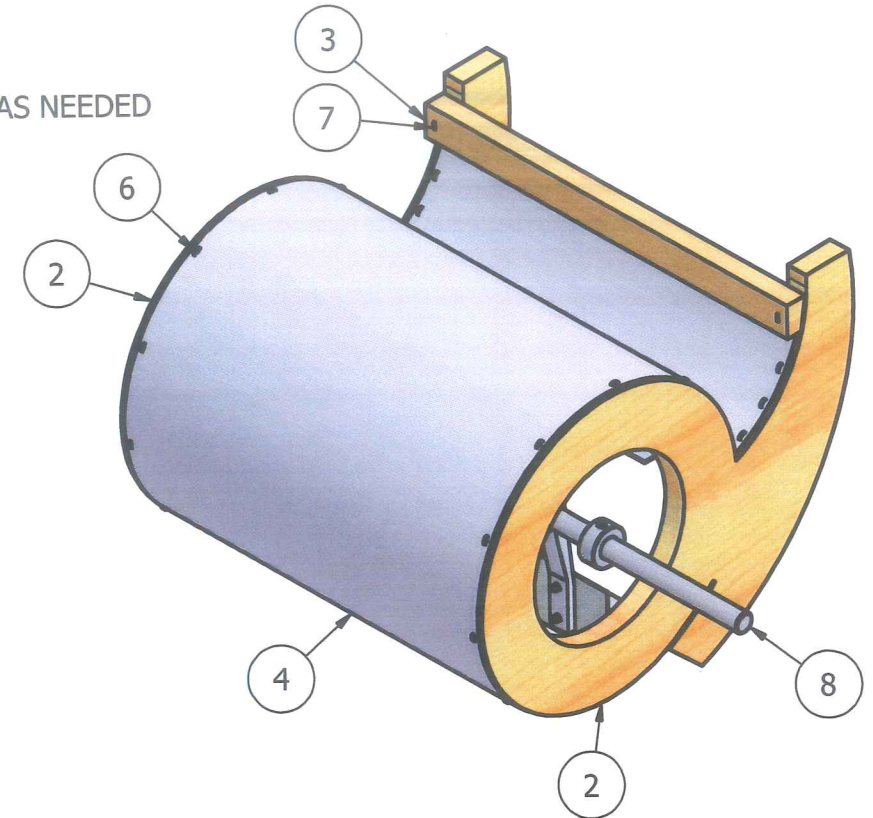
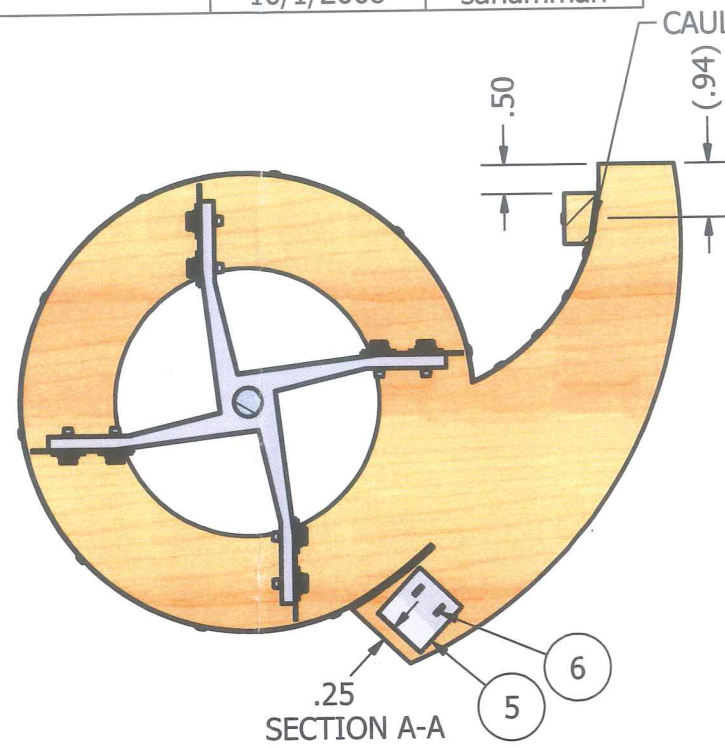
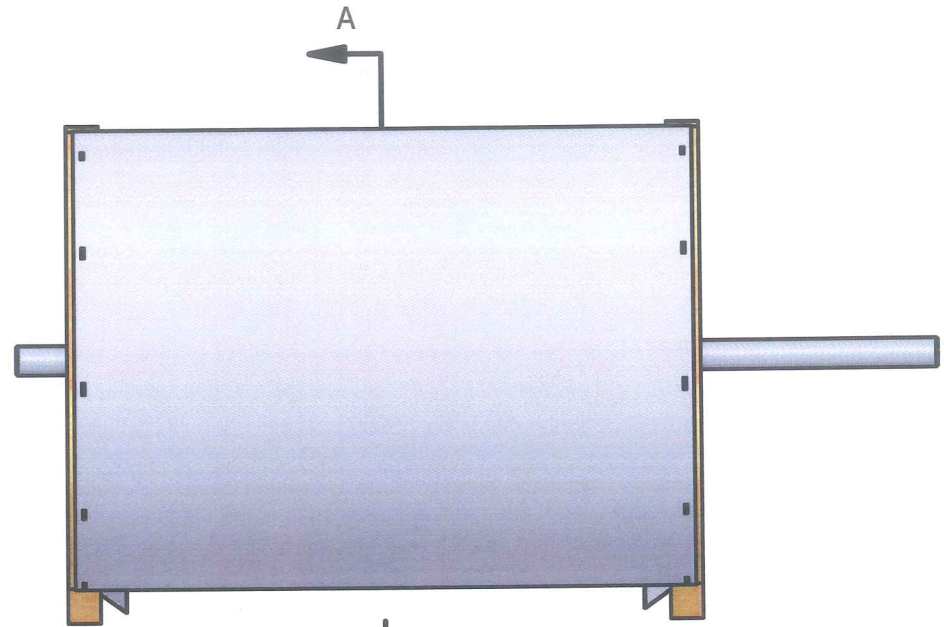
This drawing is the property of the A.T. Ferrell Company, Inc. and must be returned immediately upon request. No part of this drawing may be reproduced, stored in a retrieval system or transmitted in any form or by any means, without prior written consent of the A.T. Ferrell Company, Inc.	<b>CAD</b> NO MANUAL CHANGES		DIVISION OF A. T. FERRELL COMPANY BLUFFTON, INDIANA - USA					
	<b>TOLERANCES</b> EXCEPT AS NOTED			FINISH: NONE	SCALE: 1:4	DRAWN BY: sahamman	APPROVED BY: DMJ	
	DECIMAL: .xxx ± .005 .xx ± .030			FRACTIONAL: = 1/32	DATE: 10/29/2008	SIZE: D	PART NUMBER: F92050306	SHEET: 2 of 2
	ANGULAR: = 1/2°			TITLE: CLEANER ASSY, W/O SCREEN & DRIVE, OFFICE TESTER				



2

1

REVISION HISTORY			
REV	ECN	DESCRIPTION	DATE
A	F080181	REDRAWN IN INVENTOR	10/1/2008
			APPROVED sahamman



ITEM	PART NUMBER	QTY	DESCRIPTION
8	F92050304	1	FAN ASSY - METAL, OFFICE TESTER
7	F84416424	2	STAPLE-6424 CXR 3/4
6	F84414012	42	STAPLE-4012 CX 3/8
5	F25303000	2	DEFLECTOR, OFFICE TESTER
4	F25301500	1	DRUM IRON, OFFICE TESTER
3	F25103300	1	BEVEL GIRT BOARD, OFFICE TESTER
2	F25100200	2	FAN HOUSING END, OFFICE TESTER
1	93041585	1	CAULKING MATERIAL

Parts List

This drawing is the property of the A.T. Ferrell Company, Inc and must be returned immediately upon request. No part of this drawing may be reproduced, stored in a retrieval system or transmitted in any form or by any means, without prior written consent of the A.T. Ferrell Company, Inc

<b>CAD</b> NO MANUAL CHANGES	DIVISION OF A. T. FERRELL COMPANY		BLUFFTON, INDIANA - USA	
	FINISH: NONE	SCALE: 1:4	DRAWN BY: sahamman	APPROVED BY: DMJ
<b>TOLERANCES</b> EXCEPT AS NOTED	TITLE: DRUM ASSY-METAL, OFFICE TESTER			
DECIMAL: xxx ± .005 xx ± .030	DATE: 10/1/2008	SIZE: B	PART NUMBER: F92050305	SHEET: 1 of 1
FRACTIONAL: ± 1/32				
ANGULAR: ± 1/2°				



NOTES:  
1. DO NOT SCALE FROM DRAWING.

2

1

F92050305

B

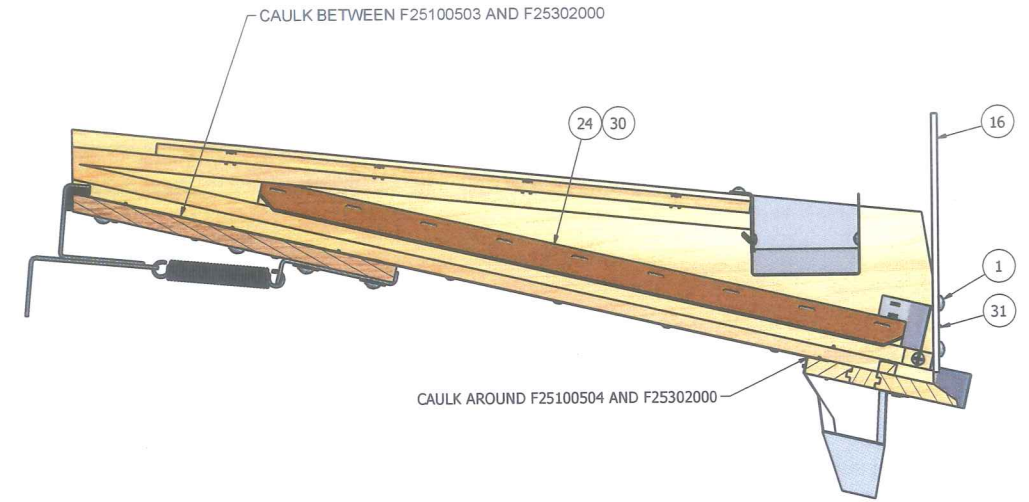
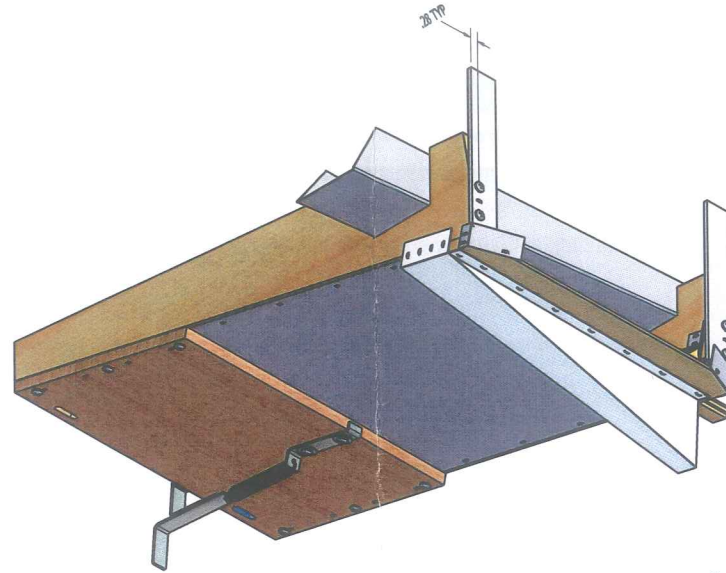
A

A

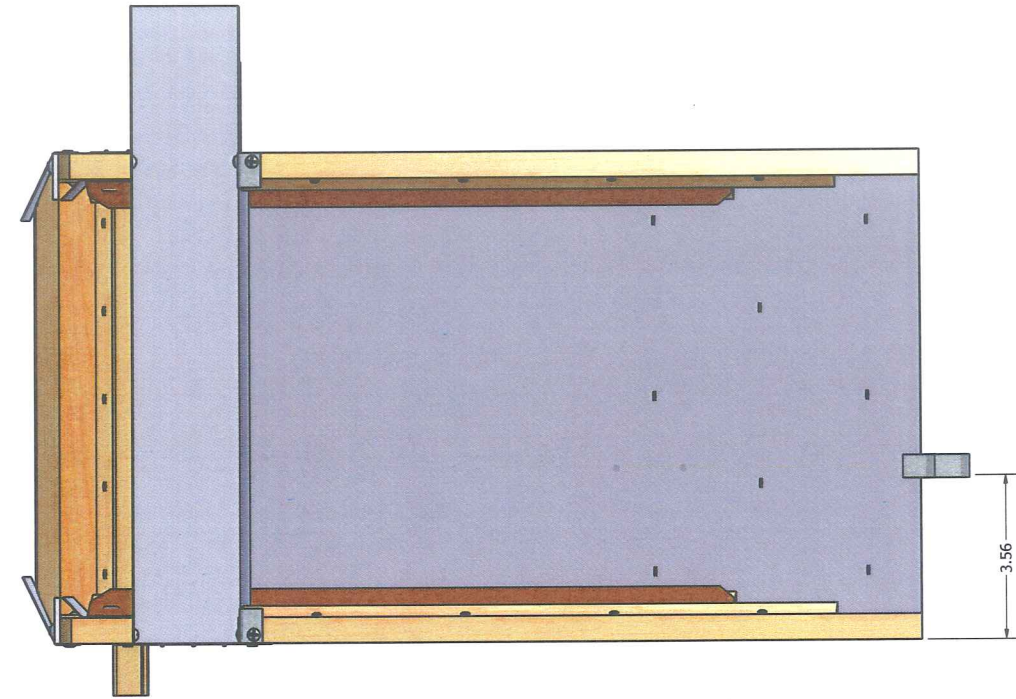
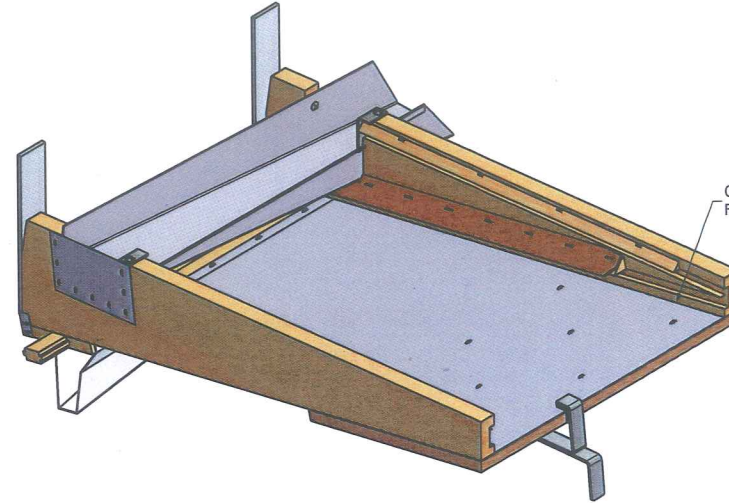


REVISION HISTORY

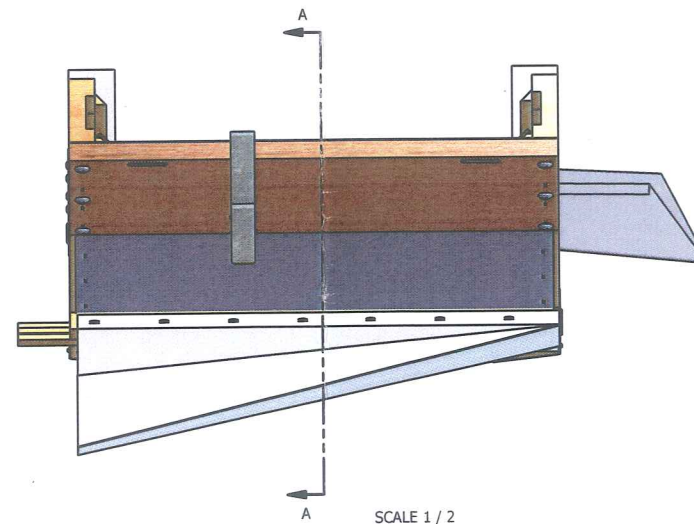
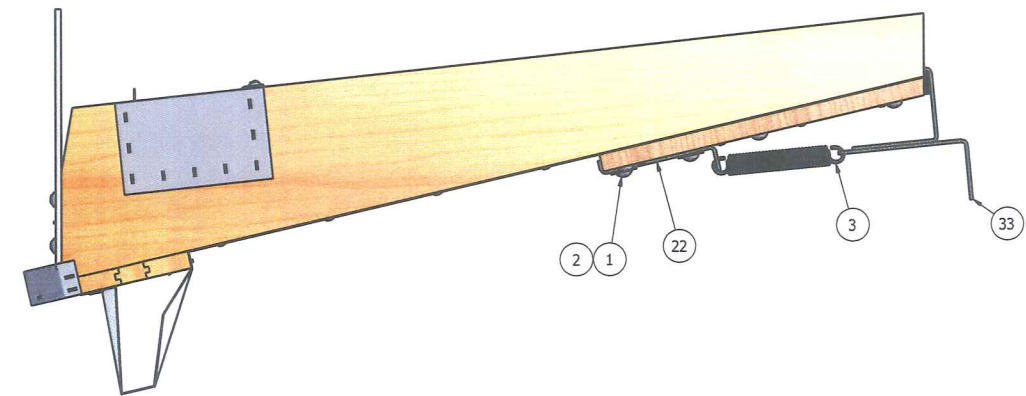
REV	ECN	DESCRIPTION	DATE	APPROVED
A	F080181	REDRAWN IN INVENTOR	10/15/2008	SAH
B	F090034	CHG PART F83450100 WAS 66961812, REPLACED F25301101 WITH F25301100	2/6/2009	SAH
C	F110034	ADD F25302505(2) & F84413312(18)	2/16/2011	dmjohnson



SECTION A-A



ITEM	PART NUMBER	QTY	DESCRIPTION
33	F90006589	1	SCREEN HOOK WLDMT, OFFICE TESTER
32	F84416424	12	STAPLE-6424 CXR 3/4
31	F84414012	87	STAPLE-4012 CX 3/8
30	F84413312	18	STAPLE, 5/16 X 3/8 X 22 GA
29	F83450100	8	SCREW, SMS PAN HEAD #6 X .5 PLT
28	F80200010	1	GLUE, WOOD
27	F25303002	1	DEFLECTOR UPPER LH, OFFICE TESTER
26	F25303001	1	DEFLECTOR UPPER RH, OFFICE TESTER
25	F25302600	2	DEFLECTOR LOWER, OFFICE TESTER
24	F25302505	2	BELTING, SCREENWAY, OFFICE TESTER
23	F25302400	1	SPOUT COVER, OFFICE TESTER
22	F25302001	1	HOOK BRKT
21	F25302000	1	SHOE BOTTOM METAL, OFFICE TESTER
20	F25301203	1	STOP LH, OFFICE TESTER
19	F25301202	1	STOP RH, OFFICE TESTER
18	F25301200	1	SPOUT, STRAW, OFFICE TESTER
17	F25301100	1	SAND SPOUT, OFFICE TESTER
16	F25300803	2	BACK SHOE HANGER, OFFICE TESTER
15	F25100511	1	BOTTOM SEAL RH, OFFICE TESTER
14	F25100510	2	GRAIN STOP SMALL, OFFICE TESTER
13	F25100509	2	TOP SEAL, OFFICE TESTER
12	F25100508	1	BOTTOM SEAL LH, OFFICE TESTER
11	F25100507	1	GRAIN STOP, OFFICE TESTER
10	F25100506	1	SLIDE BOARD, OFFICE TESTER
9	F25100505	1	SHOE EXTEN BOARD, OFFICE TESTER
8	F25100504	1	SPOUT BOARD, OFFICE TESTER
7	F25100503	1	SUPPORT BOARD, OFFICE TESTER
6	F25100502	1	SHOE SIDE RH, OFFICE TESTER
5	F25100501	1	SHOE SIDE LH, OFFICE TESTER
4	93041585	1	CAULKING MATERIAL
3	70008024	1	SPRING .375X2.375 SS
2	66402200	2	WASHER, FLAT #8
1	62342212	12	8 X1/2 PAN HD MACH SCREW



SCALE 1/2

- NOTES:  
1. DO NOT SCALE FROM DRAWING.  
2. 1 EACH REQ'D PER F92050306 : OFFICE TESTER ASSEMBLY W/O SCR-N-DRV  
3. GLUE AS REQUIRED

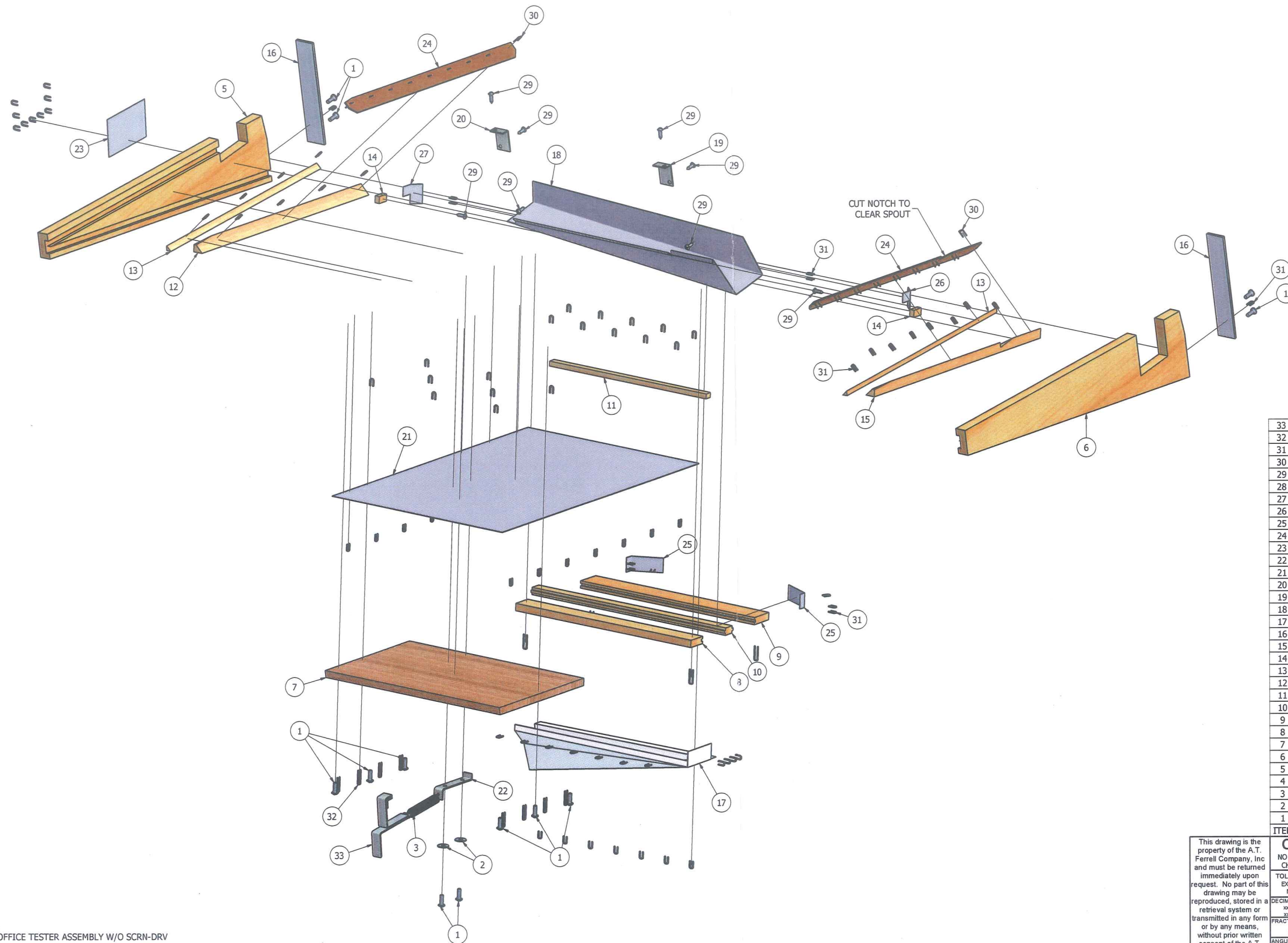
This drawing is the property of the A.T. Ferrell Company, Inc and must be returned immediately upon request. No part of this drawing may be reproduced, stored in a retrieval system or transmitted in any form or by any means, without prior written consent of the A.T. Ferrell Company, Inc

<b>CAD</b> NO MANUAL CHANGES TOLERANCES EXCEPT AS NOTED	DIVISION OF A. T. FERRELL COMPANY	SCALE: 1:2	DRAWN BY: sahamman	APPROVED BY: DMJ
DECIMAL: .005 XX = .030	FRCTIONAL: 1/32	TITLE: SHOE ASSY, OFFICE TESTER	DATE: 9/24/2008	SIZE: D
ANGULAR: 1/2	PART NUMBER: F25000400	SHEET: 1 of 2		





REVISION HISTORY				
REV	ECN	DESCRIPTION	DATE	APPROVED
A	F080181	REDRAWN IN INVENTOR	10/15/2008	SAH
B	F090034	CHG PART F83450100 WAS 66961812, REPLACED F25301101 WITH F25301100	2/6/2009	SAH
C	F110034	ADD F25302505(2) & F84413312(18)	2/16/2011	dmjohnson



33	F90006589	1	SCREEN HOOK WLDMT, OFFICE TESTER
32	F84416424	12	STAPLE-6424 CXR 3/4
31	F84414012	87	STAPLE-4012 CX 3/8
30	F84413312	18	STAPLE, 5/16 X 3/8 X 22 GA
29	F83450100	8	SCREW, SMS PAN HEAD #6 X .5 PLT
28	F80200010	1	GLUE, WOOD
27	F25303002	1	DEFLECTOR UPPER LH, OFFICE TESTER
26	F25303001	1	DEFLECTOR UPPER RH, OFFICE TESTER
25	F25302600	2	DEFLECTOR LOWER, OFFICE TESTER
24	F25302505	2	BELTING, SCREENWAY, OFFICE TESTER
23	F25302400	1	SPOUT COVER, OFFICE TESTER
22	F25302001	1	HOOK BRKT
21	F25302000	1	SHOE BOTTOM METAL, OFFICE TESTER
20	F25301203	1	STOP LH, OFFICE TESTER
19	F25301202	1	STOP RH, OFFICE TESTER
18	F25301200	1	SPOUT, STRAW, OFFICE TESTER
17	F25301100	1	SAND SPOUT, OFFICE TESTER
16	F25300803	2	BACK SHOE HANGER, OFFICE TESTER
15	F25100511	1	BOTTOM SEAL RH, OFFICE TESTER
14	F25100510	2	GRAIN STOP SMALL, OFFICE TESTER
13	F25100509	2	TOP SEAL, OFFICE TESTER
12	F25100508	1	BOTTOM SEAL LH, OFFICE TESTER
11	F25100507	1	GRAIN STOP, OFFICE TESTER
10	F25100506	1	SLIDE BOARD, OFFICE TESTER
9	F25100505	1	SHOE EXTEN BOARD, OFFICE TESTER
8	F25100504	1	SPOUT BOARD, OFFICE TESTER
7	F25100503	1	SUPPORT BOARD, OFFICE TESTER
6	F25100502	1	SHOE SIDE RH, OFFICE TESTER
5	F25100501	1	SHOE SIDE LH, OFFICE TESTER
4	93041585	1	CAULKING MATERIAL
3	70008024	1	SPRING .375X2.375 SS
2	66402200	2	WASHER, FLAT #8
1	62342212	12	8 X1/2 PAN HD MACH SCREW

- NOTES:  
 1. DO NOT SCALE FROM DRAWING.  
 2. 1 EACH REQ'D PER F92050306 : OFFICE TESTER ASSEMBLY W/O SCRIN-DRV  
 3. GLUE AS REQUIRED

This drawing is the property of the A.T. Ferrell Company, Inc and must be returned immediately upon request. No part of this drawing may be reproduced, stored in a retrieval system or transmitted in any form or by any means, without prior written consent of the A.T. Ferrell Company, Inc

**CAD**  
 NO MANUAL CHANGES  
 TOLERANCES EXCEPT AS NOTED

DECIMAL: .005  
 FRACTIONAL: 1/32  
 ANGULAR: 1/2°

FINISH: NONE  
 TITLE: SHOE ASSY, OFFICE TESTER  
 DATE: 9/24/2008  
 SCALE: 1:2  
 SIZE: D  
 PART NUMBER: F25000400

DIVISION OF A T FERRELL COMPANY  
 BLUFFTON, INDIANA - USA

DRAWN BY: sahamman  
 APPROVED BY: DMJ

SHEET: 2 of 2

F25000400