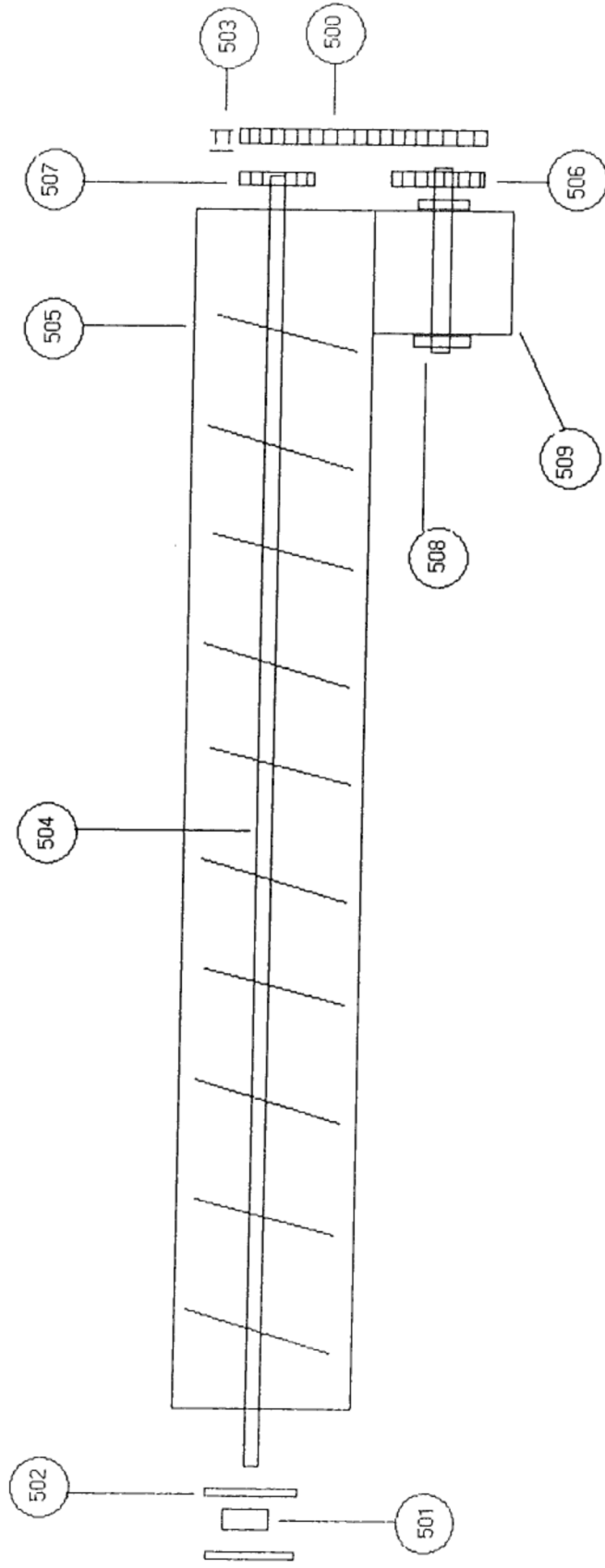




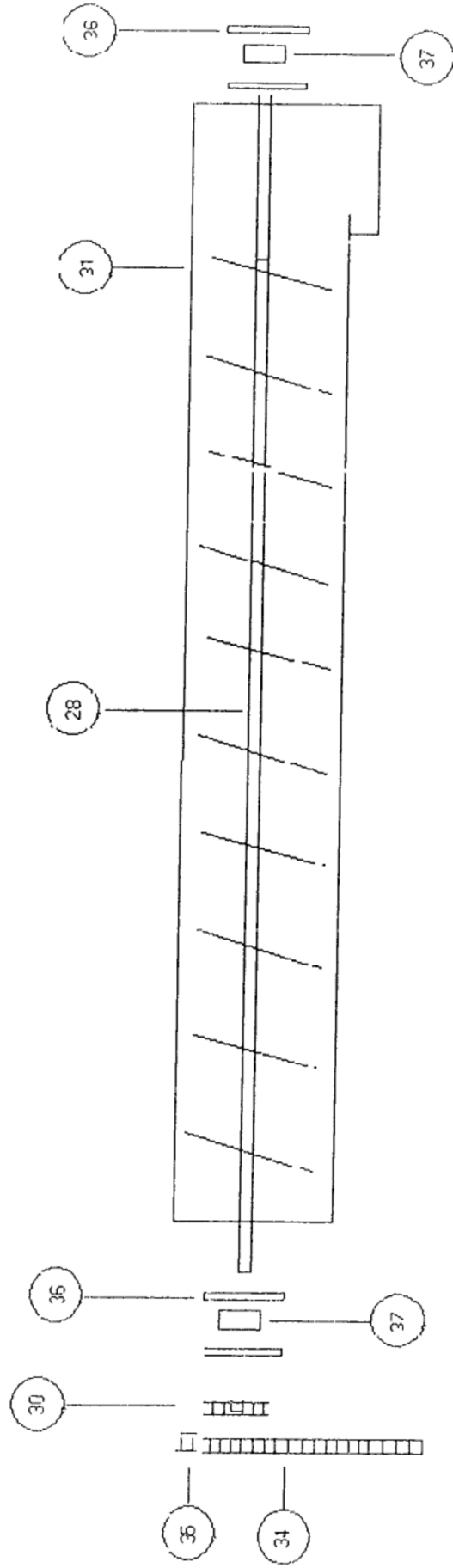




# Top Air Discharge Auger Assembly

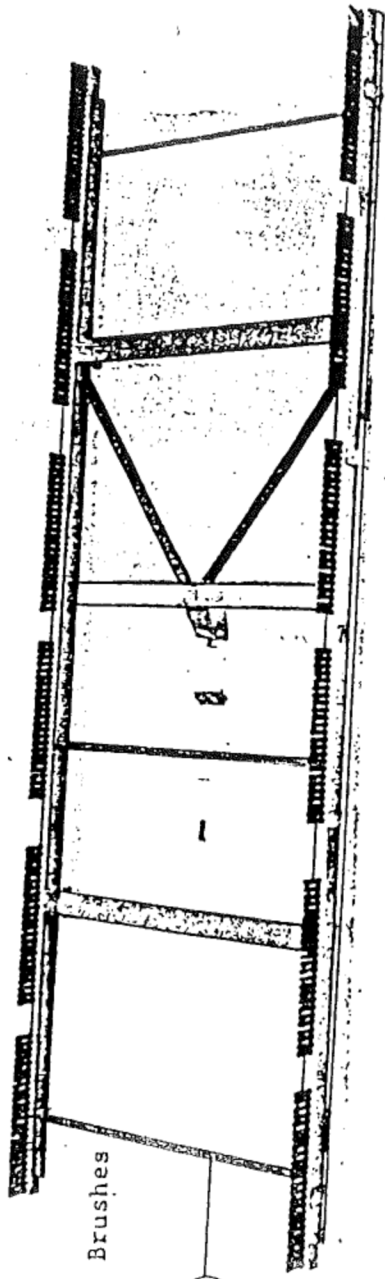


# Back Air Discharge Auger Assembly





BRUSH CARRIER AND BRUSH RAISING PARTS FOR CLEANERS WITH  
 86" LONG SCREENS AND 1-3/16" DIA. BRUSH RODS



F 100-01220 76" Brushes

47

43

35

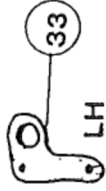
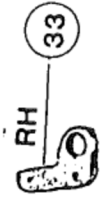
36



34  
RH SHOWN



28  
LH SHOWN



33  
RH

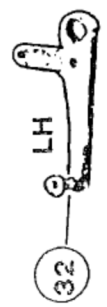
33  
LH



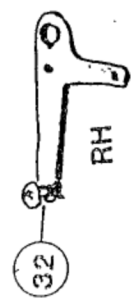
31  
LH SHOWN



29



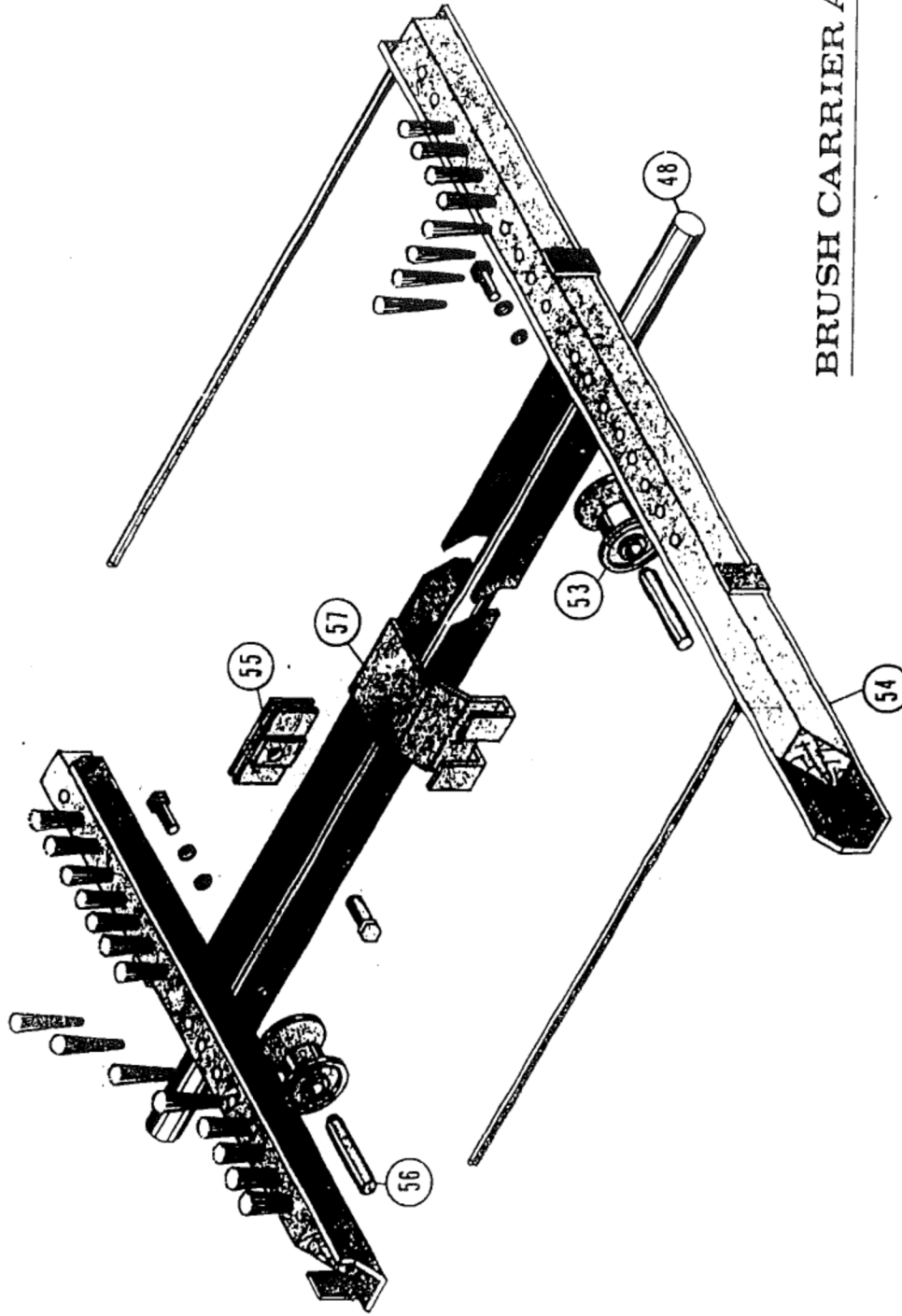
32  
LH



32  
RH







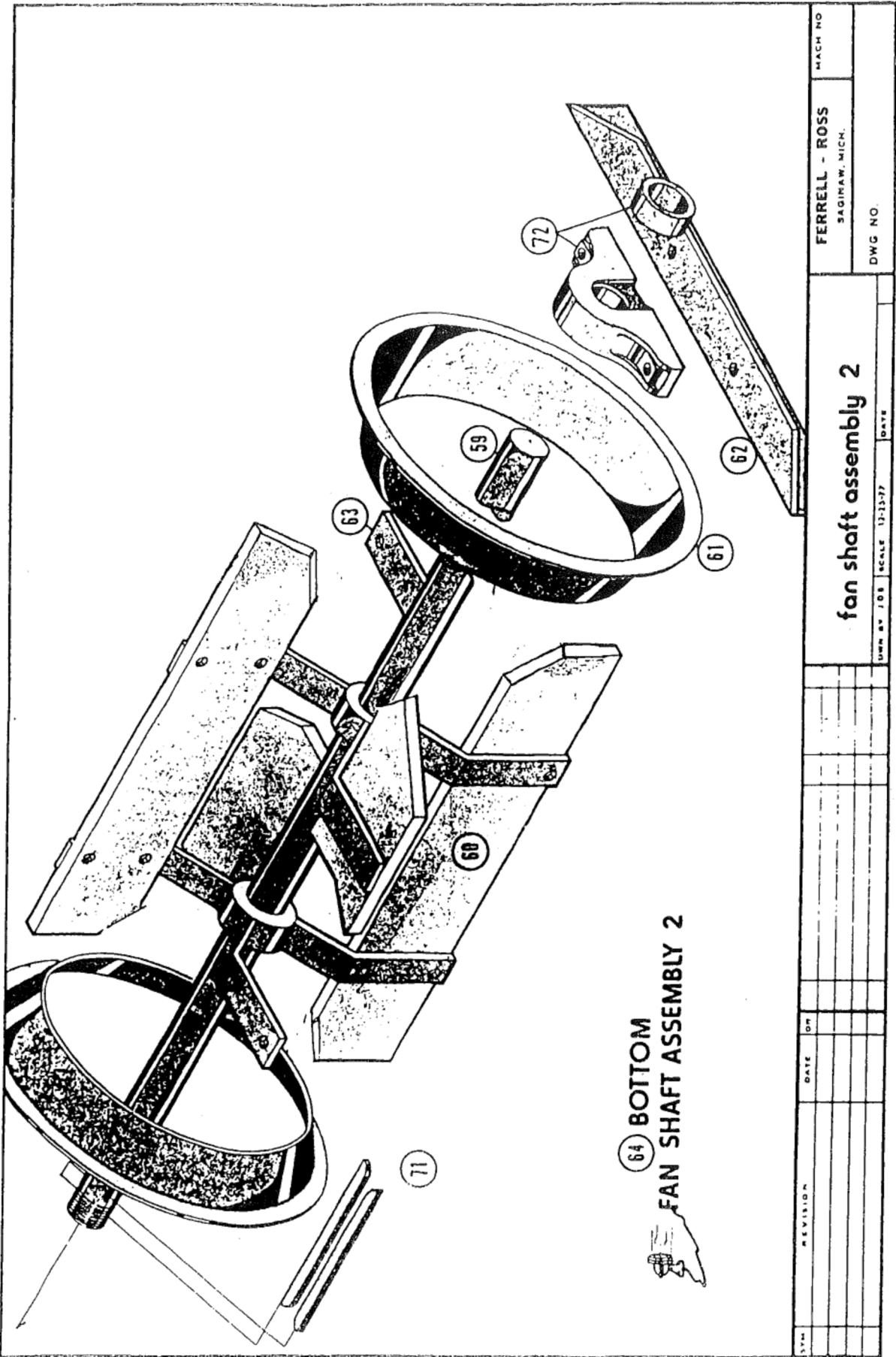
BRUSH CARRIER ASSEMBLY



BLUE PRINT SUPPLY 5612-18-77

SYN		REVISION		DATE	BY	DWN. BY		SCALE	DATE	DWG NO	
									12-18-77	12-18-77	
brush carrier assembly										FERRELL - ROSS SAGINAW, MICH	
										MACH NO	





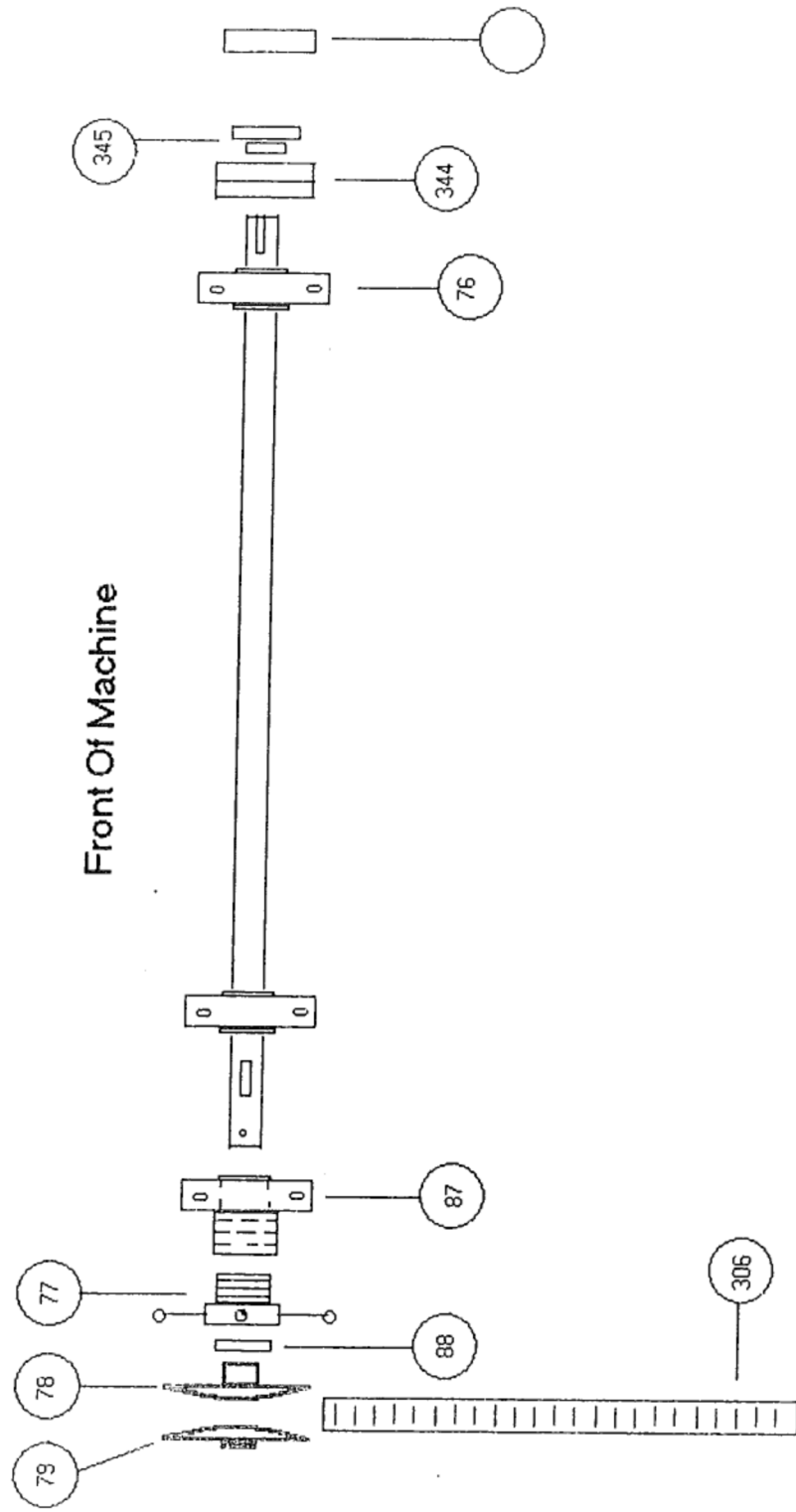
ALL DIMENSIONS UNLESS OTHERWISE SPECIFIED

FERRELL - ROSS  
SAGINAW, MICH.  
DWG NO.

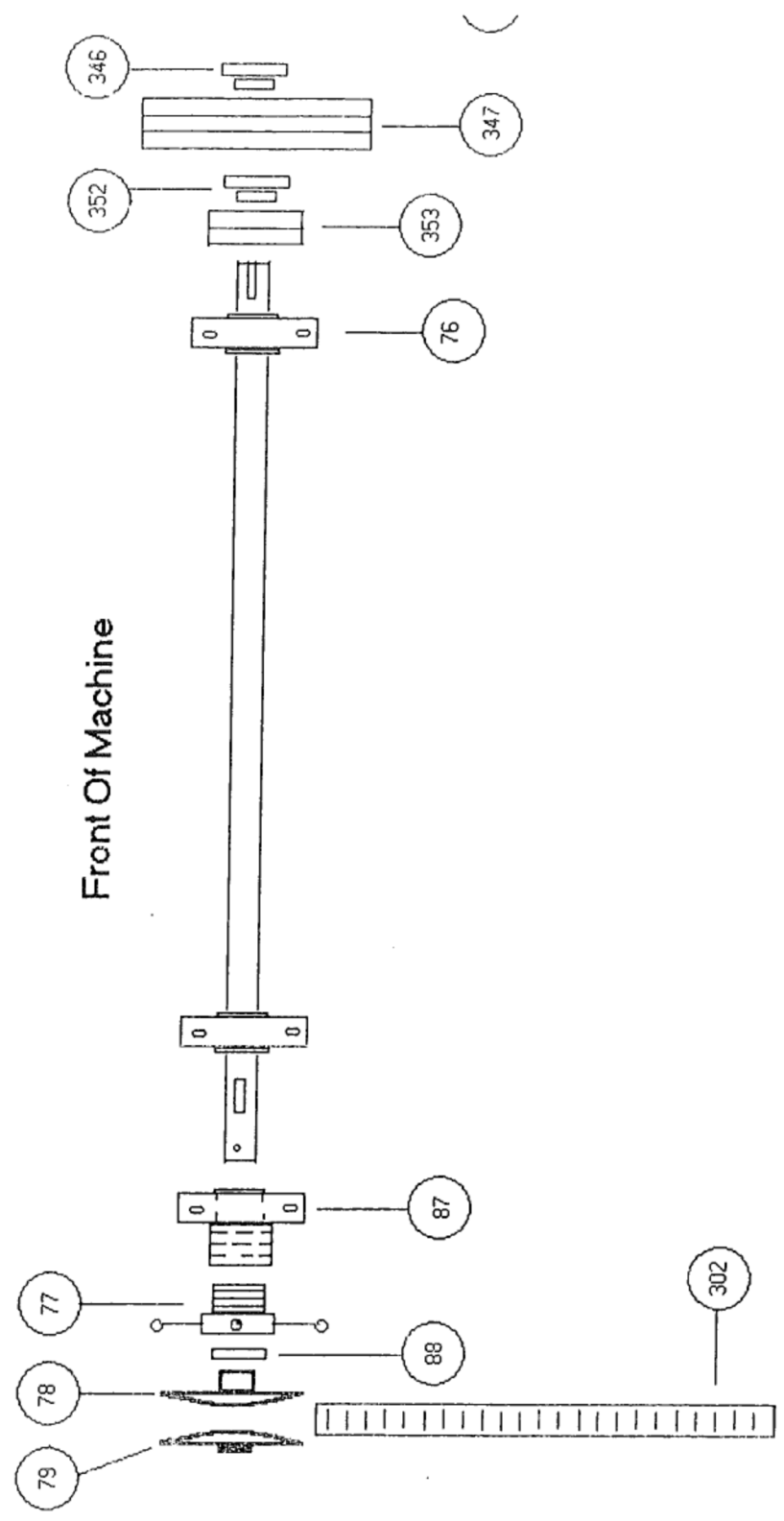
fan shaft assembly 2

SYM	REVISION	DATE	BY	DATE	SCALE	12-25-77	DATE

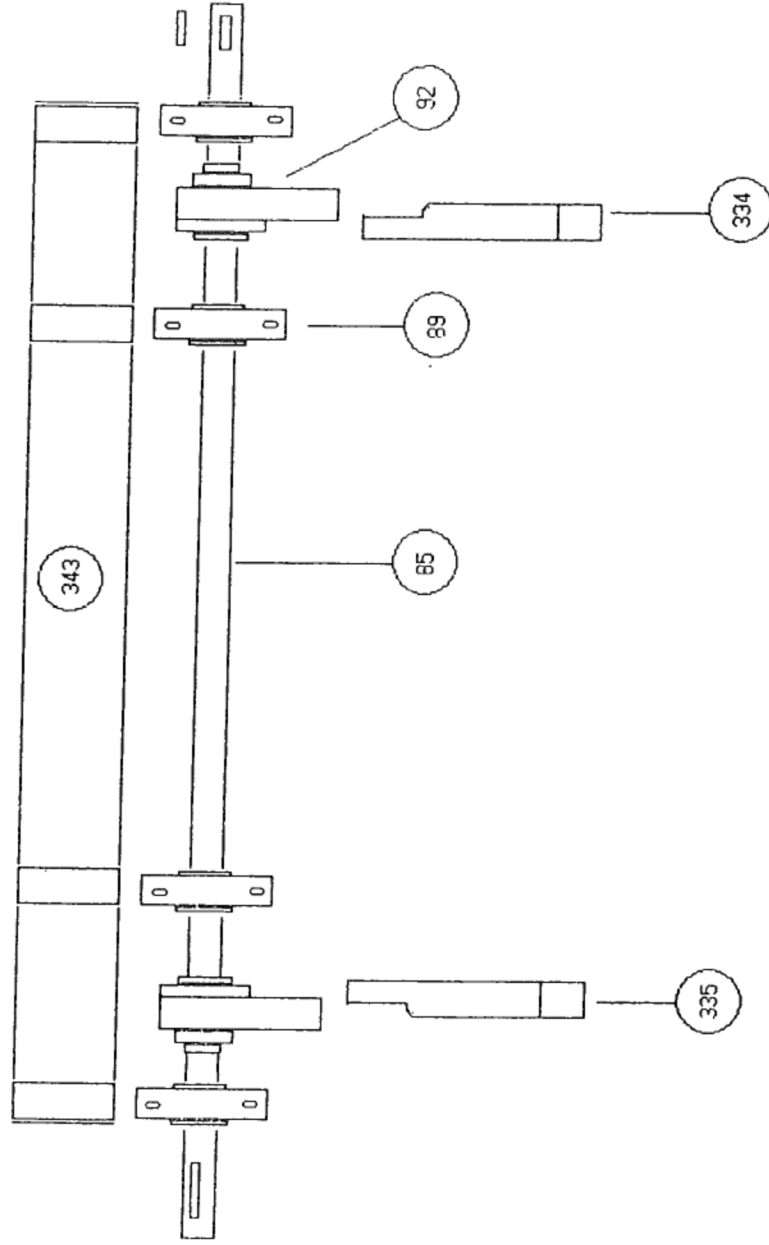
# Bottom Countershaft for 2248



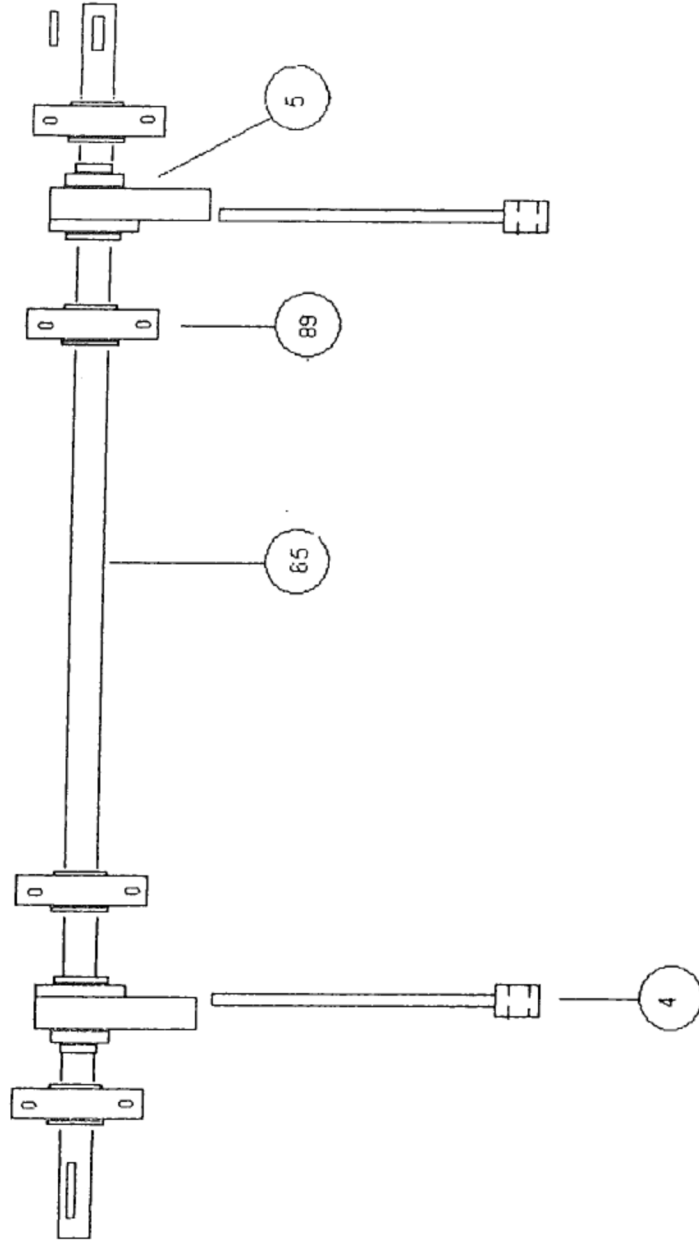
# Top Countershaft for 2248



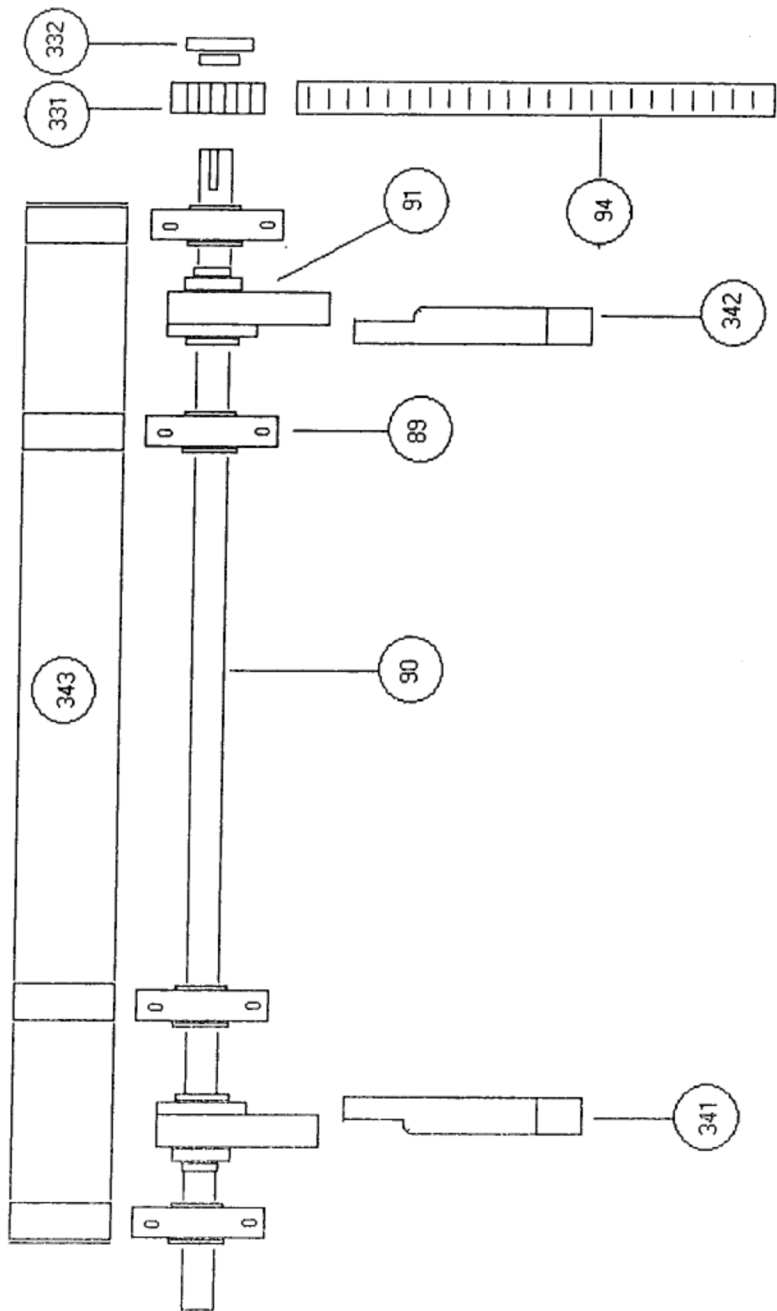
# Top Main Shoe Eccentric Shaft 248



# Scalper Eccentric Shaft 248



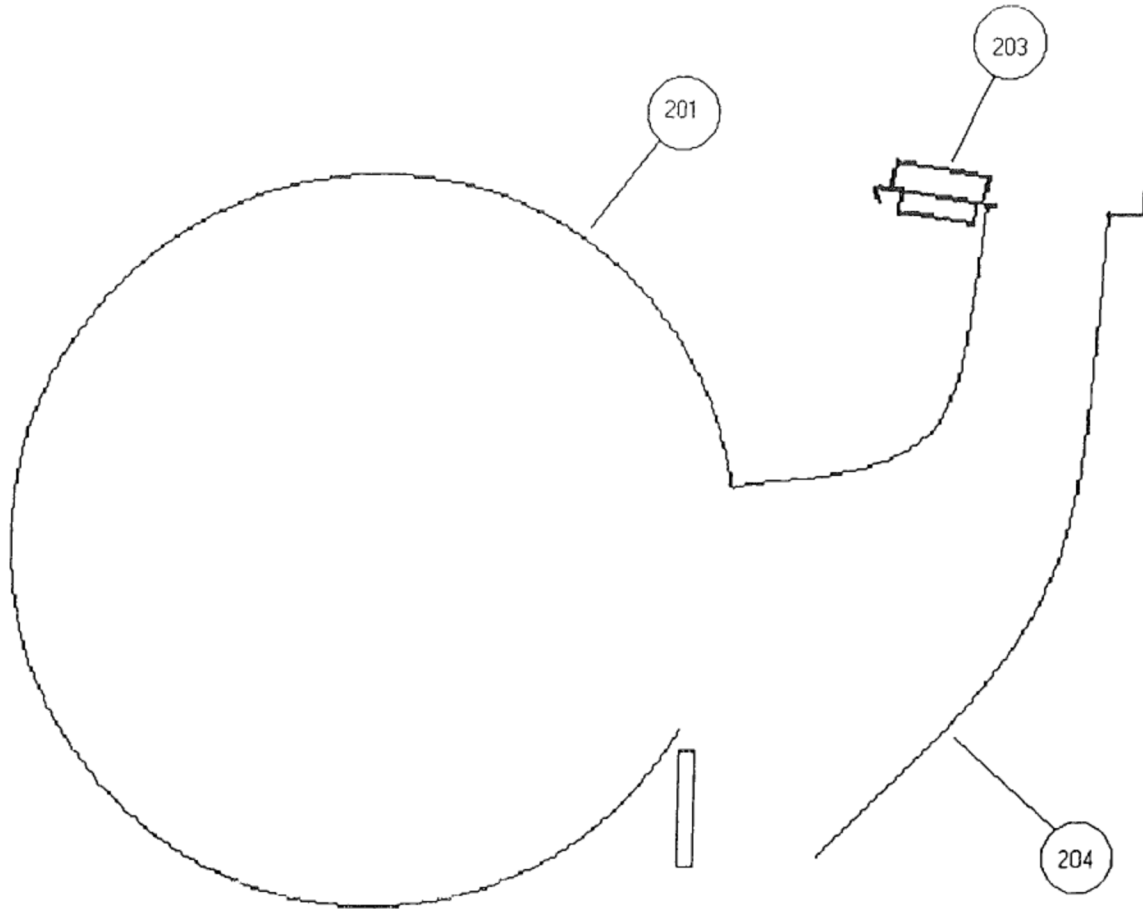
# Eccentric Shaft For 2248

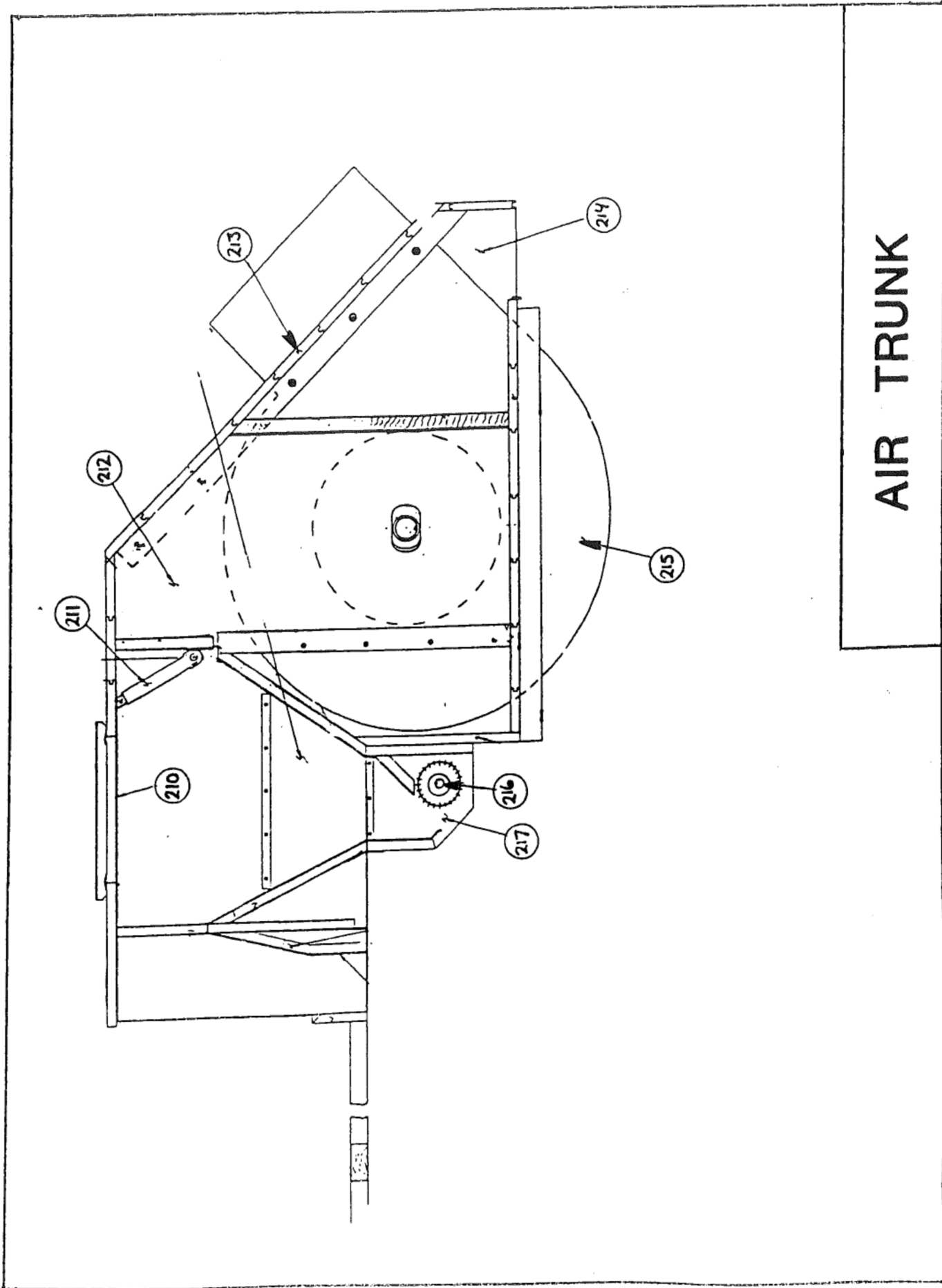




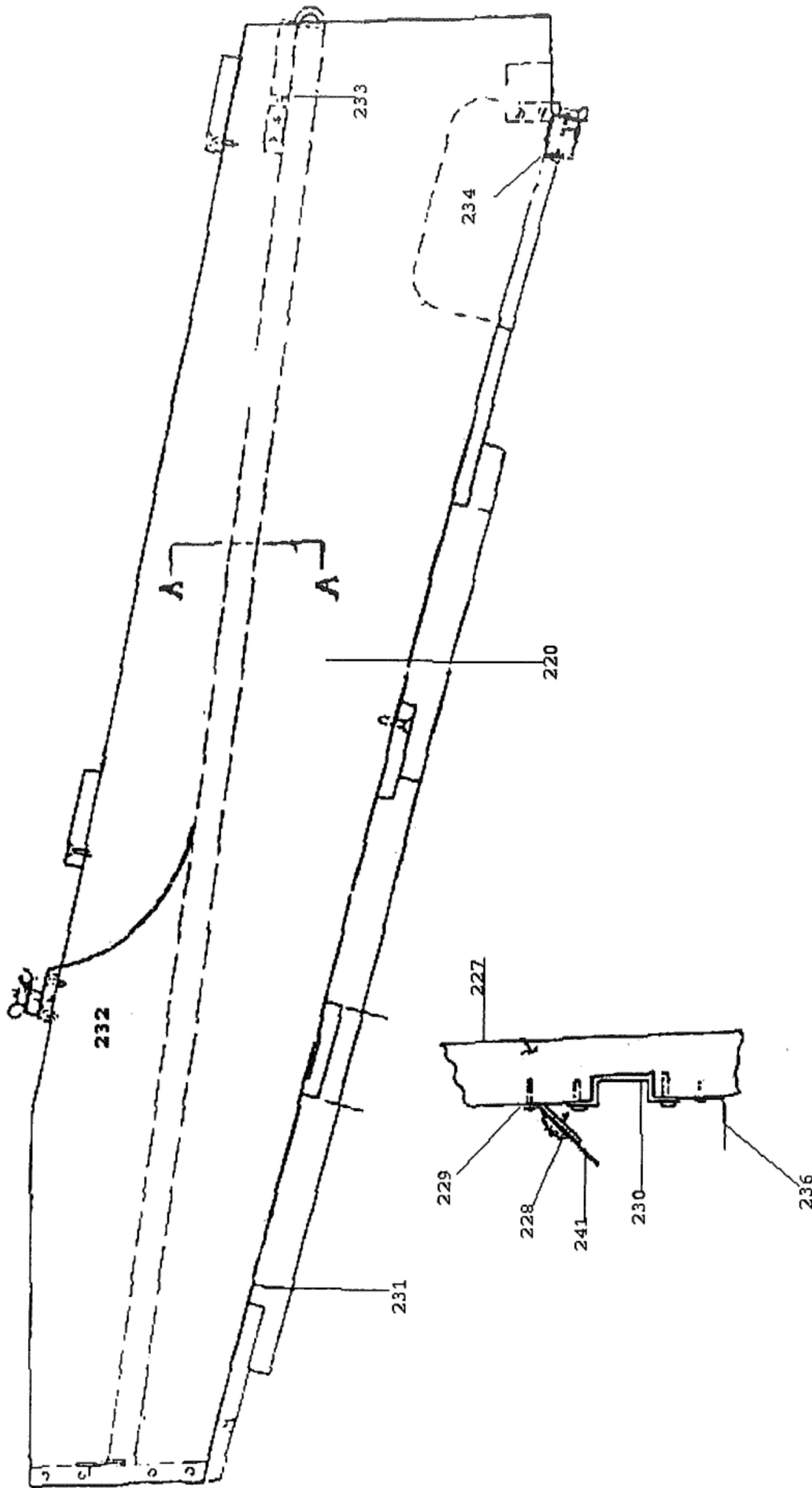


# Bottom Fan Metal



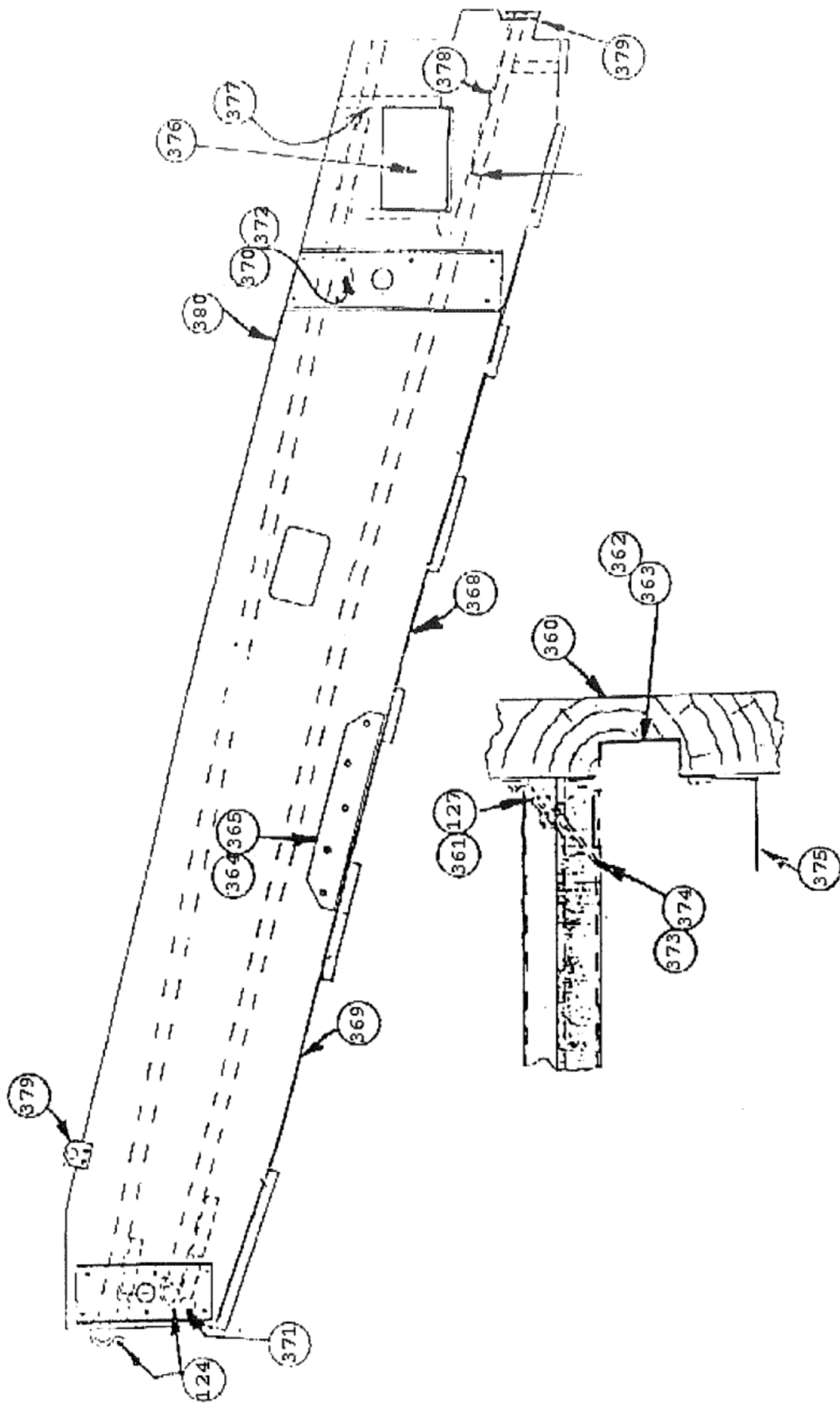


**AIR TRUNK**

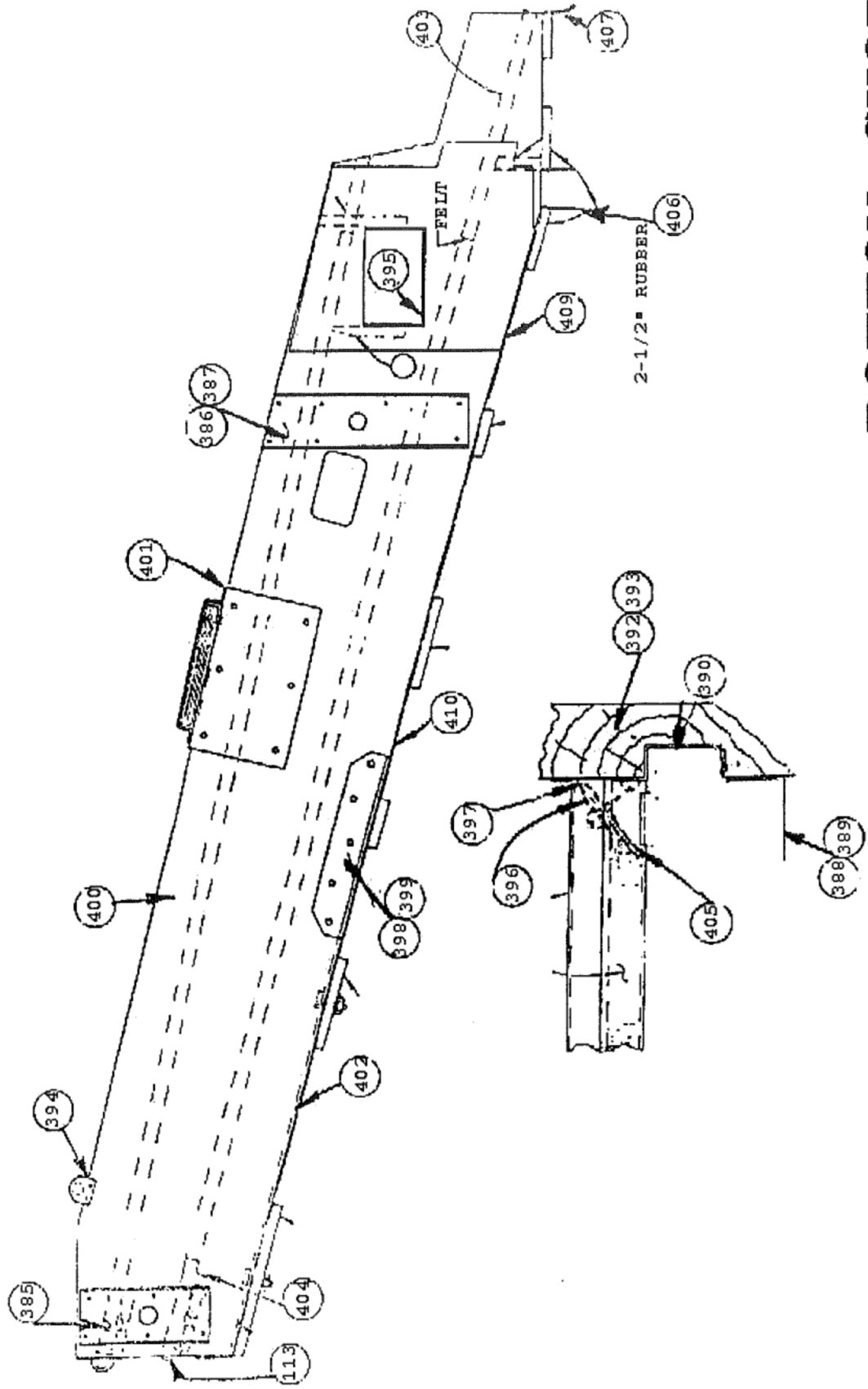


SECTION A A  
 FULL SCALE

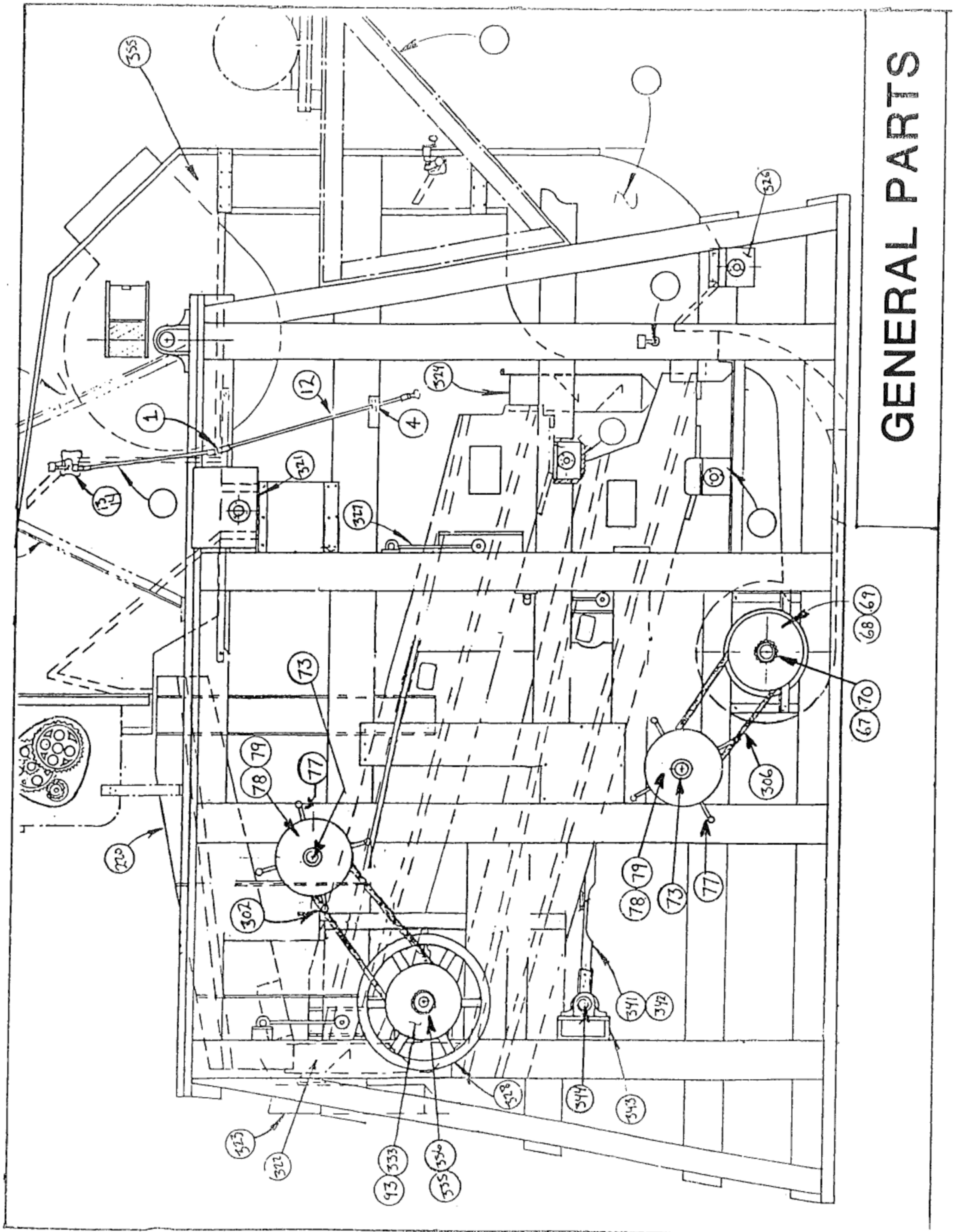
# SCALPER SHOE



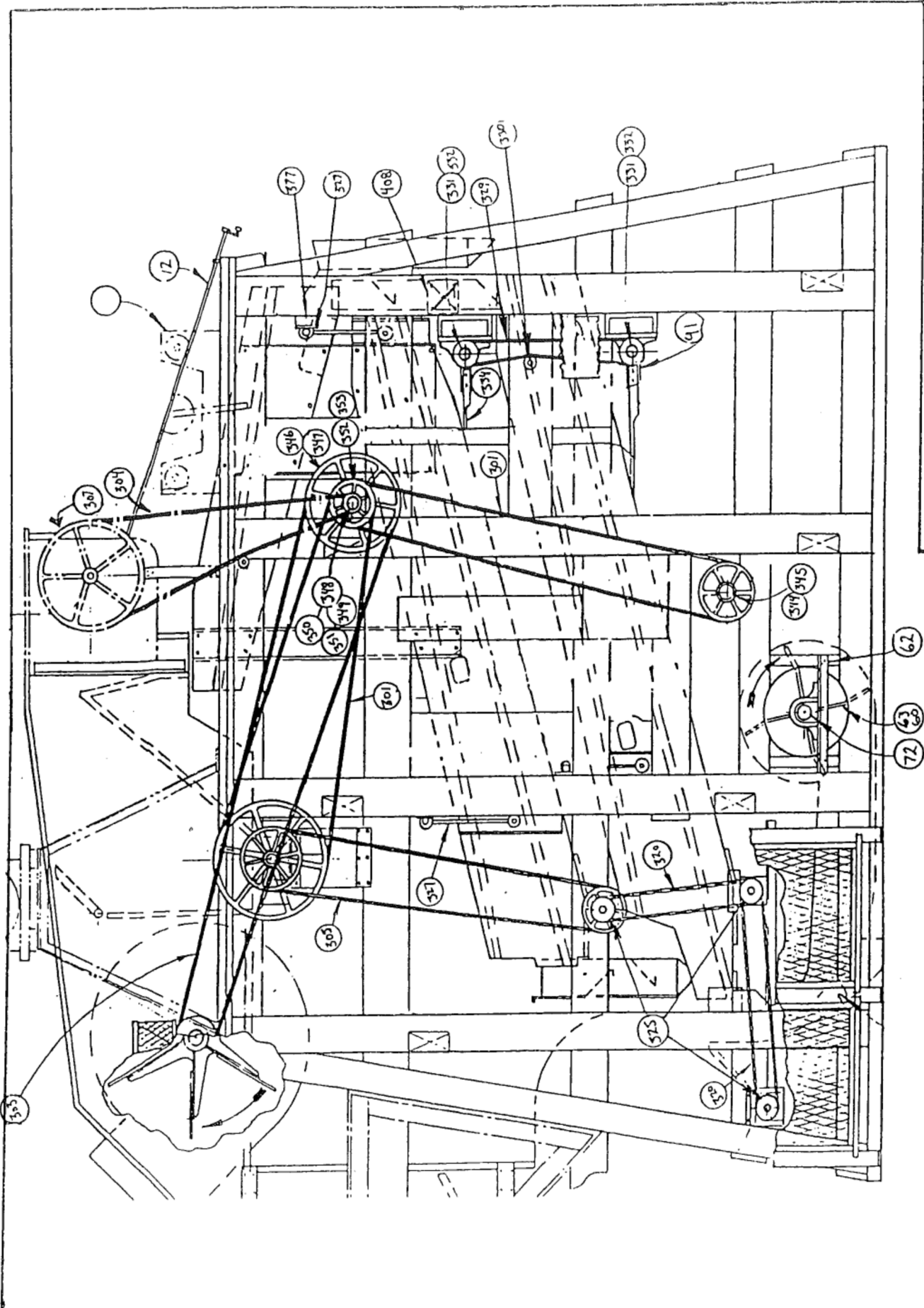
# TOP SHOE



# BOTTOM SHOE



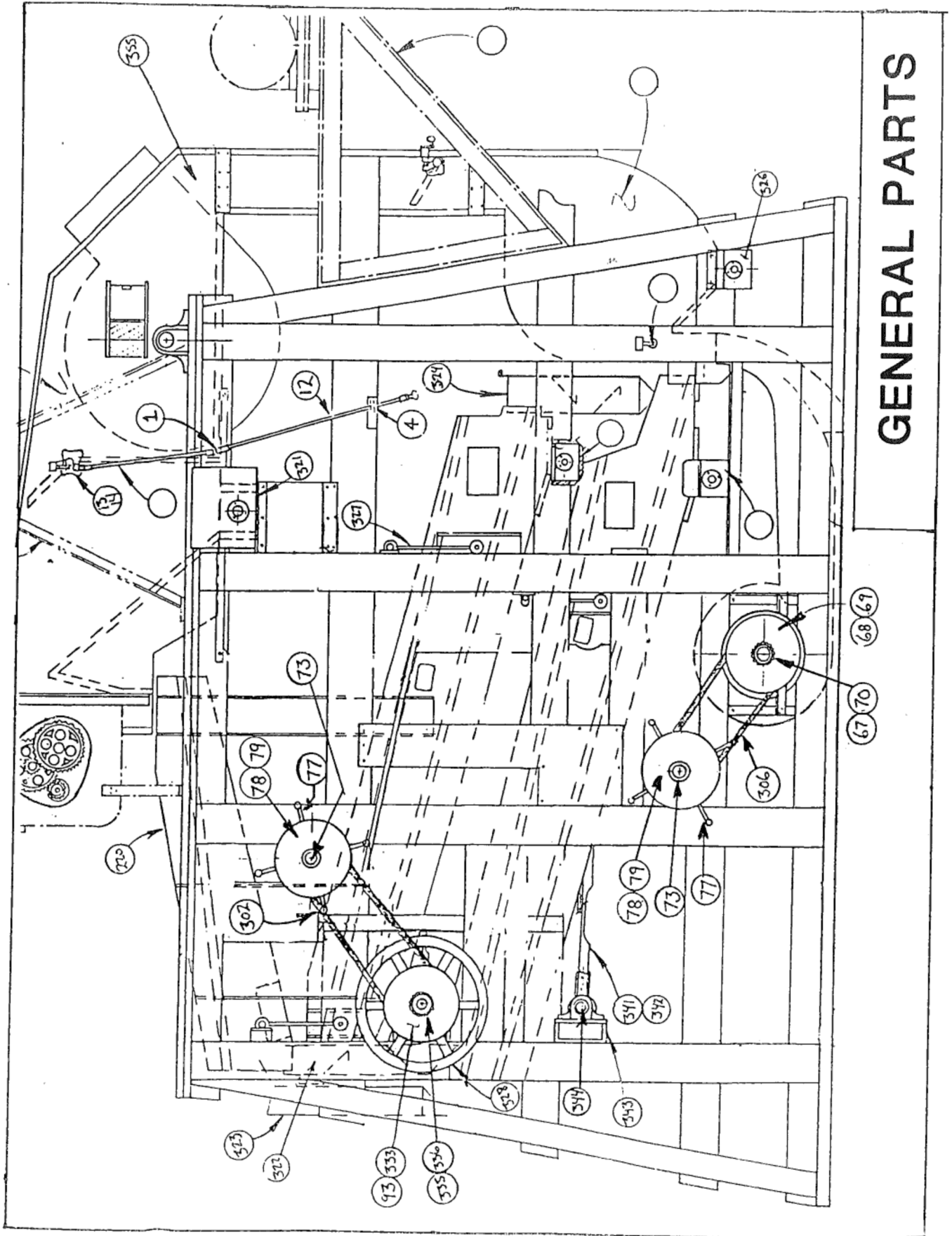
GENERAL PARTS



# GENERAL PARTS

LEFT HAND SIDE





GENERAL PARTS