

SERVICE MANUAL

AND

PARTS CATALOG

FOR YOUR

SUPER 47D



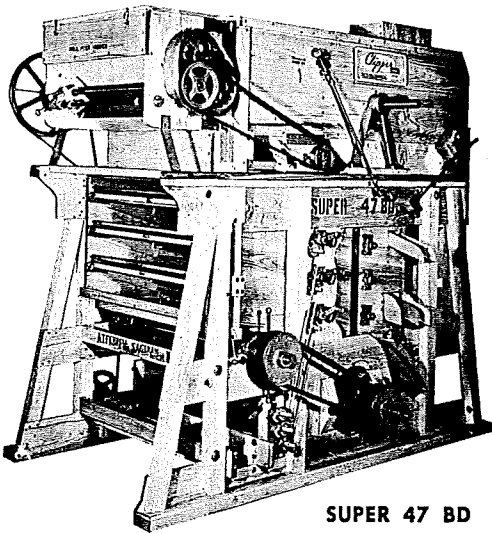
Grain, Seed and Bean Cleaners

1440 SOUTH ADAMS STREET BLUFFTON, INDIANA 46714 (800) 248-8318
Updated May 5, 2021

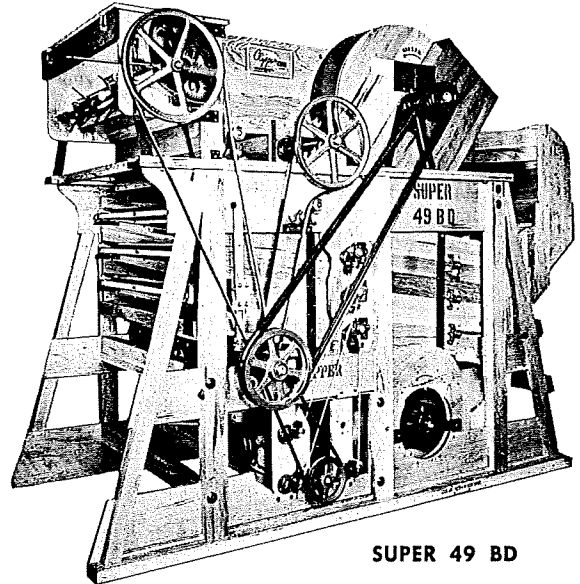
www.atferrell.com

THE SUPER 40 SERIES

Grass and Clover Seed Cleaners



SUPER 47 BD



SUPER 49 BD

In this series *B* designates 3-screen construction — *D* designates dustless or top fans construction.

The last numerical digit in the model number indicates the width of screens — 8 = 54 x 60 inch frame, 9 = 42 x 60 inch frame and 7 = 34 x 42 inch frame.

This Super 40 Series contains the following 12 models:

3-screen dustless	3-screen single fan
498-BD	498-B
49-BD	49-B
47-BD	47-B
2-screen dustless	2-screen single fan
498-D	498-A
49-D	49-A
47-D	47-A

Standard equipment of each of these models includes the following Clipper features:

- Clipper Bottom Blast Fan controlled by the variable air regulator
- Adjustable Pitch Screens for determining the speed of the seed travel over the screens
- Double Traveling Screen Brushes under each screen to automatically keep screens clean
- Instant Acting Brush Adjustment to compensate for bristle wear
- Anti-Friction Bearings throughout (ball bearing eccentrics and main bearings)
- V-belt Drives

The three-screen models in this classification such as the 47-BD and 49-BD (illustrated above) do an exceptional cleaning job on clovers and grass seeds.

for example — when cleaning red clover —

1. A 3/64 x 5/16 top screen removes dock, hares ear mustard, ragweed and other weed seeds only slightly larger than the clover.
2. A 1/15 or 1/16 middle screen is the smallest round hole screen that will pass the good seed and remove sticks, stems and other trash only slightly larger than the clover.
3. The properly selected lower screen, usually a 6 x 22 wire mesh, will make a thorough separation of small weed seeds, dirt and immature seeds of the crop being cleaned.

The three-screen dustless models, for reasons above, permit close, thorough cleaning of clovers and grasses that would otherwise have to be run twice through a two-screen machine and even through a 60 Series cleaner when the short scalper screen cannot be selected for close work.

These models will also effectively clean Grains, Beans and Peas for seed stock, however, the factory recommends the special screen arrangement advantages of the 60 Series models.

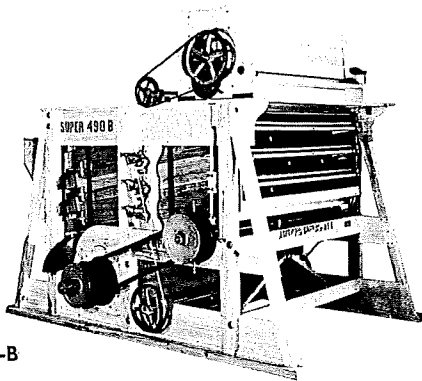
Two-screen models are used extensively where one top screen and one lower screen separation is adequate to do the job. In other words, when two top screen separations are unnecessary (refer to reverse page describing the two-screen models).

See other side for illustrations of each style and complete specifications.

SUPER 40 SERIES

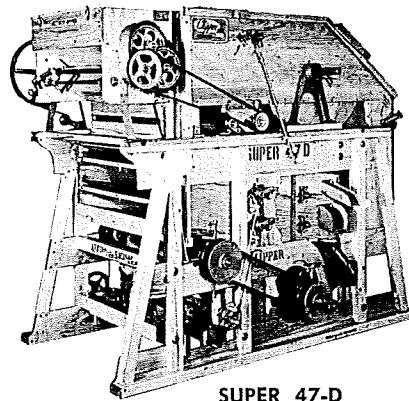
The two-screen cleaners are built approximately 7 inches lower in overall height than the three-screen models making them suitable for installations which require minimum head room.

Four of the 40 Series models can be supplied (as a packaged unit) with their own twin elevating system. This arrangement is completely illustrated and described on the Super 100 Series catalog page.

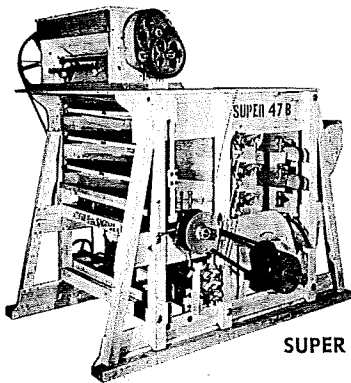


SUPER 498-B

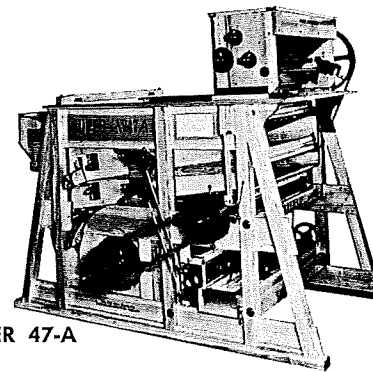
Shown with Cotton Seed Hopper recommended for cotton seed, brome and other grass seeds likewise difficult to feed.



SUPER 47-D



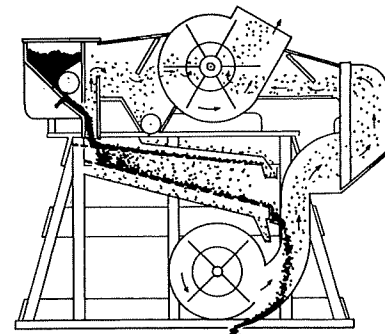
SUPER 47-B



SUPER 47-A

OPERATIONAL DETAILS FOR 2 SCREEN DUSTLESS CLEANING

The diagram at the right indicates the cleaning action of dustless type cleaners with two screens. As the seed is discharged from the hopper in a uniform layer across the full width of the top screen, it passes through an air leg connected to one of the top suction fans and dust and light chaffy material is removed. The heavier trash settles in the large settling chamber and is discharged at the side of the cleaner. The light dust is blown into the dust house or cyclone collector. After the seed passes through the top scalping screen and over the bottom sifting screen, it enters the vertical air column of synchronized blast and suction for a final, rapid air separation by weight to select only the choice, plump, full-weight kernels. The top suction fan on the left, synchronized with the bottom blast fan, removes the light-weight foreign material and dust left after the screening action. The heavier material removed settles in the settling chamber and the dust is blown out into the dust house or cyclone collector.



SPECIFICATIONS — CAPACITIES

Screen Cleaning Brushes on all Super 40 Series models are powered by the No. 80 Roller Chain Brush Drive.

Model number	47-A	47-B	47-D	49-A	49-B	498-A	498-B	47-BD	49-D	498-D	49-BD	498-BD
Screen size	34 x 42	34 x 42	34 x 42	42 x 60	42 x 60	54 x 60	54 x 60	34 x 42	42 x 60	54 x 60	42 x 60	54 x 60
Bu. per hr.—Seeds	30-50	30-50	30-50	60-80	60-80	75-100	75-100	30-50	60-80	75-100	60-80	75-100
Bu. per hr.—Seed grain	50-100	50-100	50-100	100-150	100-150	130-200	130-200	50-100	100-150	130-200	100-150	130-200
Bu. per hr.—Beans	75-150	75-150	75-150	200-300	200-300	250-400	250-400	75-150	200-300	250-400	200-300	250-400
No. of screens in cleaner	2	3	2	2	3	2	3	2	2	2	3	3
No. of screens furnished	12	12	12	12	12	12	12	12	12	12	12	12
Extreme length	79"	79"	91"	107"	107"	119"	107"	91"	114"	114"	114"	114"
Extreme width	59"	59"	62"	73"	73"	85"	85"	62"	73"	85"	73"	85"
Width between sills	38"	38"	38"	46"	46"	58"	58"	38"	46"	58"	46"	58"
Height to top of hopper	69"	76"	76"	72"	80"	72"	80"	83"	81"	81"	87"	87"
Height to drive shaft	28"	28"	70"	29"	29"	29"	29"	70"	76"	76"	76"	76"
Drive shaft speed (RPM)	410	410	900	410	410	410	410	900	900	900	900	900
Horsepower required	1½	1½	5	3	3	3	3	5	7½	10	7½	10
Shipping weight (lbs.)	1200	1300	1800	2000	2100	2200	2350	2000	2800	3000	2900	3200

SUPER 47D CLEANER PARTS SET UP WITH BRUSH SCREEN CLEANING

Top Fan Section

ITEM NO.	PAGE NO.	PART NUMBER	QTY.	DESCRIPTION
All	26	Not Available	1	Air Trunk Assembly Complete (Includes Below)
5	3	F01600700	1	1-11/16" x 57-3/4" Top Fan Shaft
10	3	F92401110	2	1-11/16" Pillow Block Bearing
18	3	F05500600	2	6" Wide Hide Static Fan Assembly
215	26	F05502201	1	Right Side Top Fan Housing Assembly (Includes 2 Sides & Metal)
215	26	F05502202	1	Left Side Top Fan Housing Assembly(Includes 2 Sides & Metal)
15	1	F05003900	2	Top Fan Bleeder Inlet Slide Assembly
11	1	F04303132	1	Adjusting Handle & Rod 32" Long for top air
11	1	F04303118	1	Adjusting Handle & Rod 18" long
**	1	F04001600	1	Hand Crank Handle with wood Knob
4	1	F05313000	2	Adjusting handle shaft Bearing
	1	F01013500	2	Valve Control Assy Complete See attached picture

****Refers to the previous listing number. May give parts within that assembly, right side-left side numbers, or numbers for parts that are specific to RH or LH machines.**

Note: Front of the Machine is Where the Screens are Inserted Into the Machine.

**Discharge Spouts are Determined by Standing at the Front and Facing the Machine.
 Right Hand Discharge Spouts Would Discharge Towards Your Right Hand.**

TOP AIR DISCHARGE VALVE ASSEMBLY

ITEM NO.	PAGE NO.	PART NUMBER	QTY.	DESCRIPTION
21	ALL	F04500000	1	Complete Valve (9 wide)(Shaft not Included)
20	4	F01618000	1	Top Valve Shaft 1" x 48"
22	4	F04800010	1	Hinged Gate Weldment (9 wide)
**		F04600510	1	Gate Board
**		F92700004	2	Gate Springs
23	4	F04501401	1	#9 Discharge Roll Assemblby with Flanges (Around 30" Long)
25	4	40000038	4	1" Bore Flangette Stampings
186	4	F92460200	2	1" Bearing
		F08310401	1	Right Hand Top Air Discharge Spout
		F08310402	1	Left Hand Top Air Discharge Spout
23		F04501700	*1	#7 Discharge Roll Assembly with Flanges (Around 26" long)

BRUSH SCREEN CLEANING SYSTEM

ITEM NO.	PAGE NO.	PART NUMBER	QTY.	DESCRIPTION
38	7	F01004901	2	Brush Adjusters - Idler Side (Left Hand Side)
**	7	F01004902	2	Brush Adjusters - Idler Side (Right Hand Side)
43	7	F01106300	2	Idler Arm Support
**	7	F82080060	2	Bolt for Brush Adjusters (Both Sides)
39		Not Available	2	Brush Adjusters-Control Side (Left Hand Side)
**	7	F01003002	2	Brush Adjusters - Control Side (Right Hand Side)
42	7	F01105400	2	Adjustments Handle with Spring 9.5" long
**	7	F82080060	2	Bolt for Brush Adjusters (Both Sides)
		F01104300	4	One Hole Plate with 1-5/8" Bore
		F01000200	8	Rope Sheave Assembly Complete See attached picture
		F09500600	2	Brush Carrier Assembly 15" x 27" (Brushes not included) See attached picture 10
		F97700003	35	Wirelon Plastic Coated Steel Cable (In Feet)
		F01612107	2	Brush Carrier Shafts 1 3/16" x 44-9/16" <u>SEE NOTE BELOW</u>

NOTE: SOME OLDER MACHINES HAVE A 1" BRUSH CARRIER SHAFT THAT IS TURNED DOWN TO 3/4" ON EACH END (F01605804) AND USE 1" ROLLERS (F09501300)

BOTTOM FAN ASSEMBLY
With 1-1/2" Shaft

ITEM NO.	PAGE NO.	PART NUMBER	QTY.	DESCRIPTION
		F01632400	1	Fan Shaft 1-1/2" X 59" (Includes Keys) See attached pictures 11 & 12
		Not Available	2	6715 Halfmoon Bridgetree Housing with Bearing
		F92400022	2	Bearing <u>Insert Only</u> for Above

BOTTOM FAN ASSEMBLY
With 1-3/16" Shaft

ITEM NO.	PAGE NO.	PART NUMBER	QTY.	DESCRIPTION
		F01608000	1	Fan Shaft 1-3/16" x 53" See attached pictures 11 & 12
		Not Available	2	Halfmoon Bridgetree Housing with Bearing

ECCENTRIC SHAFT ASSEMBLY

With 1-1/2" Shaft

ITEM NO.	PAGE NO.	PART NUMBER	QTY.	DESCRIPTION
		F01603800	1	Eccentric Shaft 1-1/2" X 58" (Includes Keys) See attached pictures 15 & 16
		Not Available	2	6714 Halfmoon Flange Bearing (Old Style Housing)
		F92400022	1	1-1/2" Bearing <u>Insert Only</u> for Below
		F92053126	1	6714 Flange Bearing Conversion Kit
		F01104600	2	Counterweight Ends
		F19805200	1	Counterweight 19-13/16"
		F19503600	2	1-1/2" Throw Eccentric Assembly Complete See attached picture 15B

MAIN SHOE ASSEMBLY

ITEM NO.	PAGE NO.	PART NUMBER	QTY.	DESCRIPTION
		Not Available	1	Bottom Shoe Complete with Rockers
		F03117301	1	Right Shoe Side
		F03117302	1	Left Shoe Side
		F03016510	2	Front Hanger with Block , Both Sides
		F03102601	2	Shoeside Hanger Support Block
		F03016520	2	Back Shoe Hanger with Block
		F03101720	2	Wood Sand Spout Track (Cut to Length)
		F03301002	2	Metal Sand Spout Guide (Cut to Length)
		F08306302	1	Sand Spout Left Hand Machines (Check Measurements)
		F08306301	1	Sand Spout Right Hand Machines (Check Measurements)
		F08301101	1	Straw Spout Left Hand Machines (Check Measurements)
		F08301100	1	Straw Spout Right Hand Machines (Check Measurements)
		F08305700	1	Straw Spout-Machines Built after 1974 (Check Measurements)
		F03401500	1	Canvas Apron Assembly
		F03501300	1	Top Rocker Assembly Complete See attached drawing
		F03501200	1	Bottom Rocker Assembly Complete See attached drawing
		F01002803	1	Belt Idler Assembly Complete 5-1/2" See attached picture

**Note: Front of the Machine is Where the Screens are Inserted Into the Machine.
Discharge Spouts are Determined by Standing at the Front and Facing the Machine.
Right Hand Discharge Spouts Would Discharge Towards Your Right Hand.**

PULLEYS & BELTS

Machines Without Variable Shoe Shake

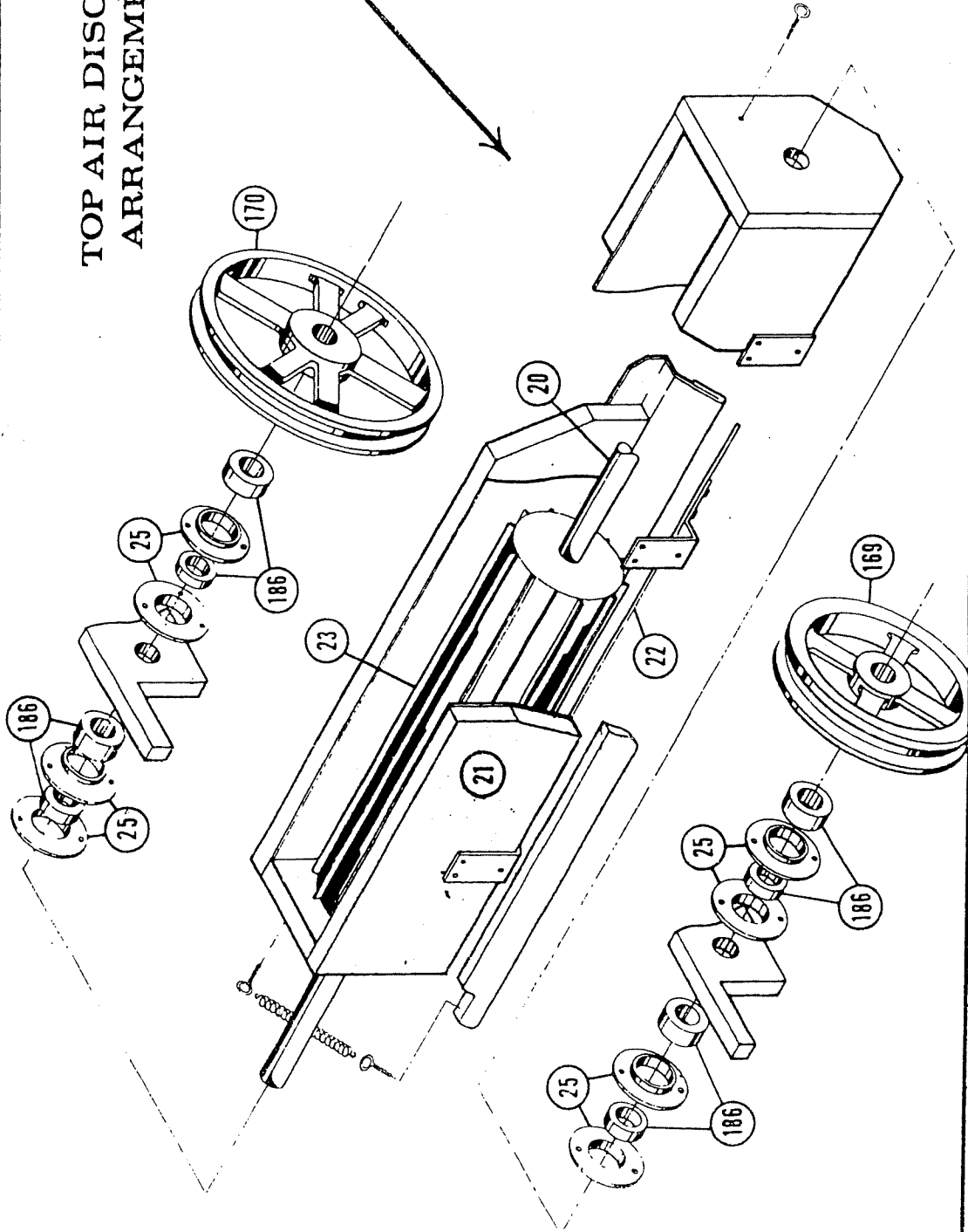
ITEM NO.	PAGE NO.	PART NUMBER	QTY.	DESCRIPTION
Motor to Top Fan				
		F91932124		3B12.4 Top Fan Shaft Driven Sheave
		F44010921	1	SK Bushing 1-11/16"
		F91932064	1	3B6.4 Top Fan Drive Motor Sheave
		44010918	1	SK Bushing for above
Top Fan to Eccentric Shaft				
		43120115	1	2B5.4 Top Fan Drive Sheave
		F44010521	1	SDS Bushing 1-11/16"
		F91922124	1	2B12.4 Eccentricshaft Driven Sheave
		44010918	1	SK Bushing 1-1/2"
		F91162136	2	900 RPM Fan to Eccentric Drive Belts B-136
		F91162051	1	Eccentric Shaft to Brush Jack Drive Belt B51
Not Available			1	B4.0 Brush Drive Pulley 1 1/2" See Brush Jack Parts List for Driven Pulley
		F91162085	1	Hopper Shaft to Valve Belt B85
		43110155	1	B7.4 Auger Drive Pulley
		F44010510	1	SDS Bushing 1"
		F91162128	1	Eccentric Shaft to Hopper Drive Belt B128
Not Available			1	B4.0 Hopper Drive Pulley 1 1/2" See Hopper Parts List for Driven Pulley

The Following Are the Ball Tray Kit Parts That were Installed on the Super 47 Cleaners in the Past

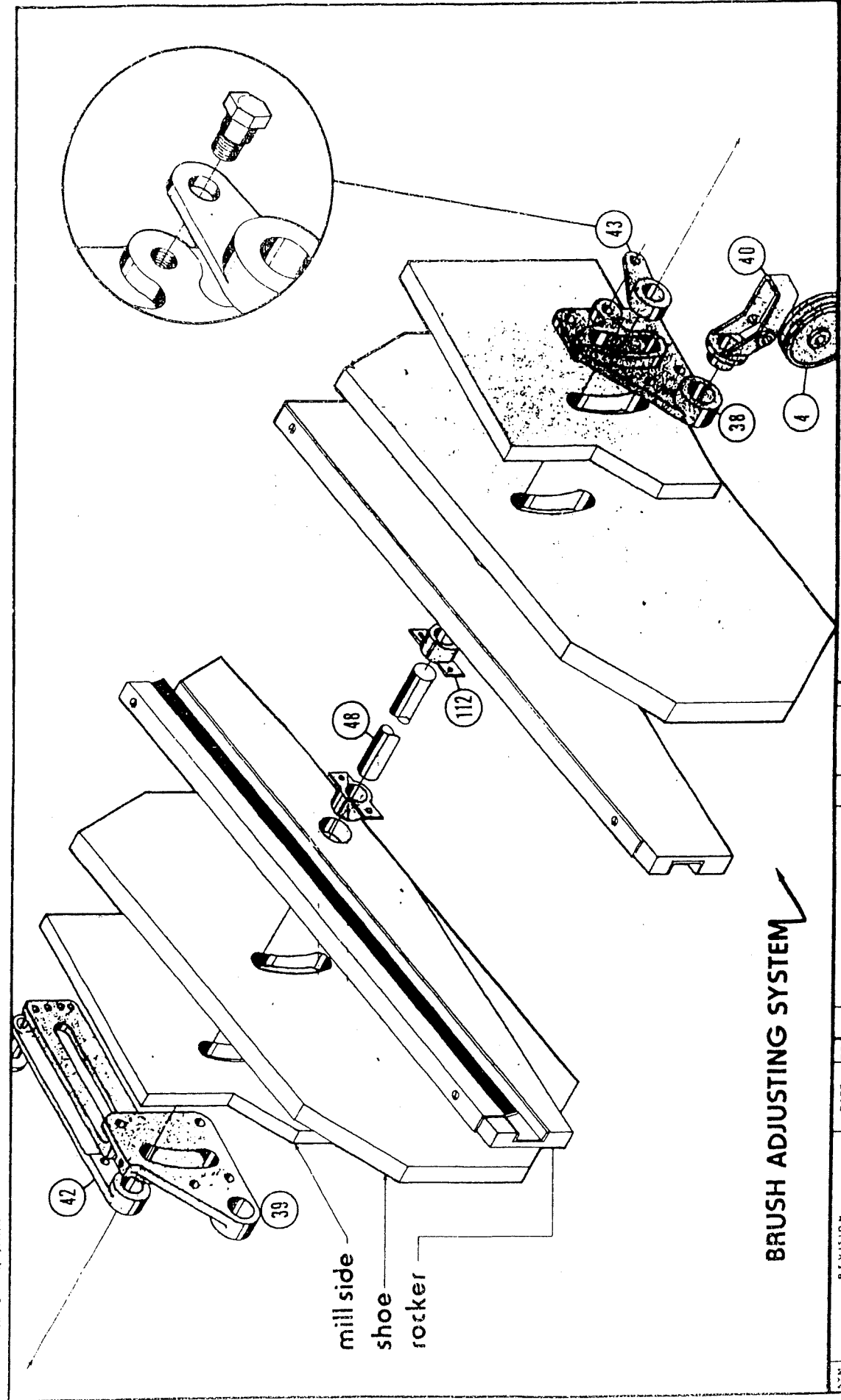
Old Style Ball Trays with 1" Square Turkey Wire That Came Out With the Screens. Ball Trays were not attached to the Screens.

F90005067	2	Ball Tray Weldment for 1 Piece Screens (NEW PUNCHED STYLE)
F80026102	144	White 1-3/8" Balls
F11301710	4	Ball Tray Support Rail 23"
F11301716	4	Ball Tray Support Rail 14"

TOP AIR DISCHARGE
ARRANGEMENT



DATE		DR	DATE		SCALE	DATE	12-30-77	DWG NO.	
REVISION								- top air discharge arrangement	
								FERRELL - ROSS	
								SAGINAW, MICH.	
								MACH NO.	



REPL. POINT SUPPLY 888124910312

mill side
shoe
rocker

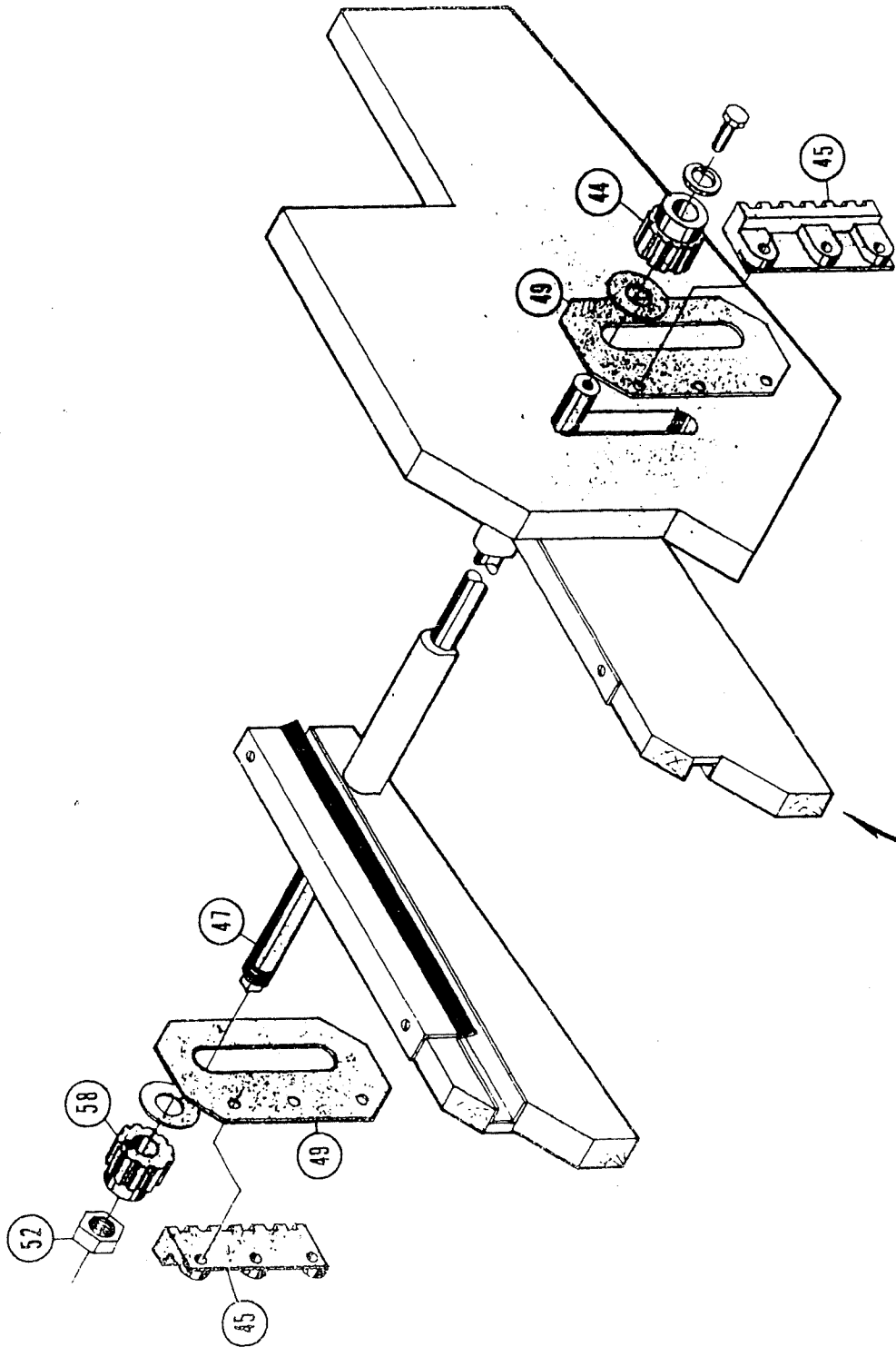
BRUSH ADJUSTING SYSTEM

REVISION		DATE	DR.	DWG. BY	SCALE	DATE	DWG. NO.	MACH. NO.
NO.	DESCRIPTION							

FERRELL - ROSS
SAGINAW, MICH.

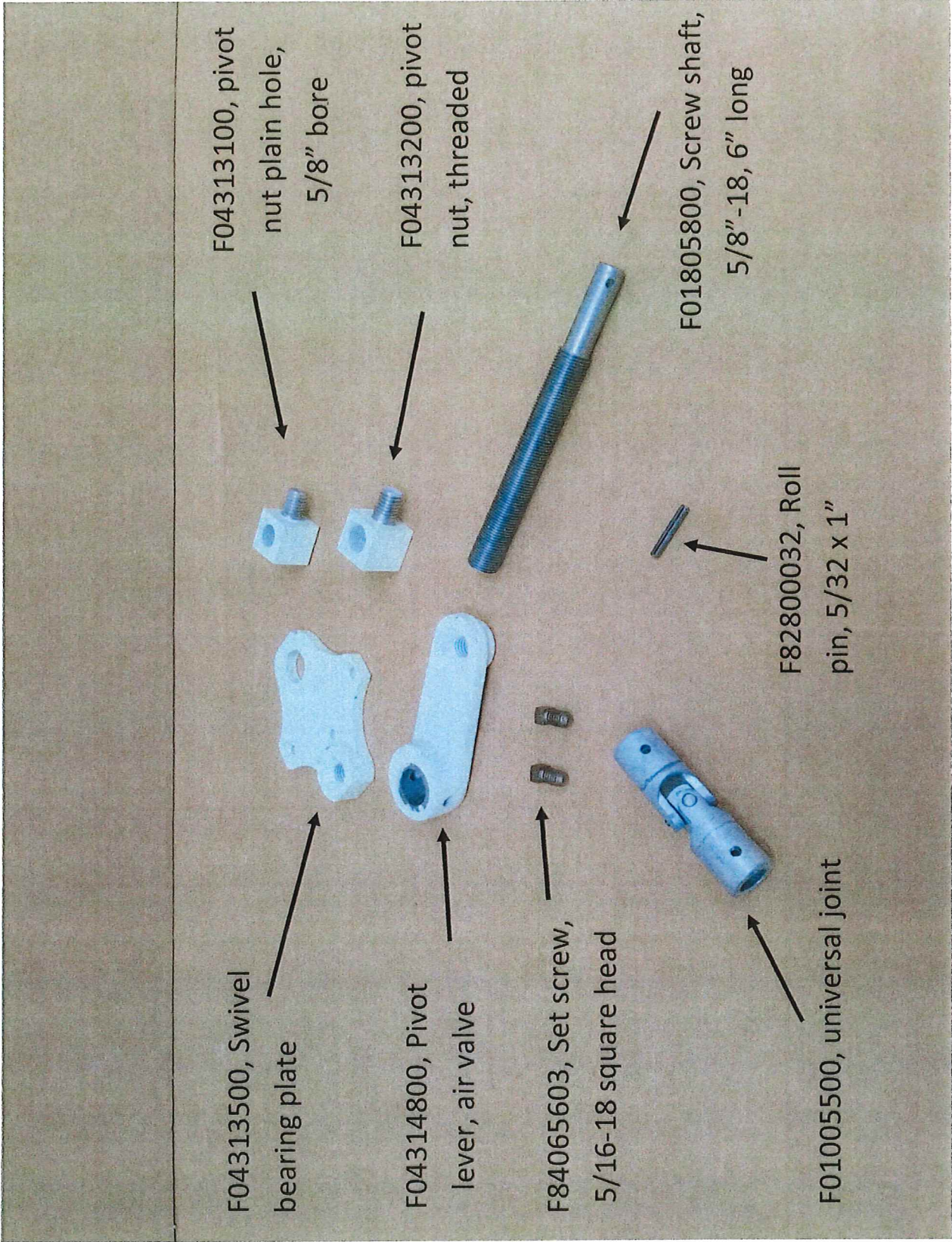
brush adjusting system

BLADE SHARPENING SUPPLY COMPANY



TILTING ROD ASSEMBLY

FERRELL - ROSS		MACH NO	
SAGINAW, MICH.			
tilting rod assembly		DWG NO	
DATE	SCALE	DATE	
REVISION	DATE	DATE	
SYM			



F04313100, pivot
nut plain hole,
5/8" bore

F04313200, pivot
nut, threaded

F01805800, Screw shaft,
5/8"-18, 6" long

F82800032, Roll
pin, 5/32 x 1"

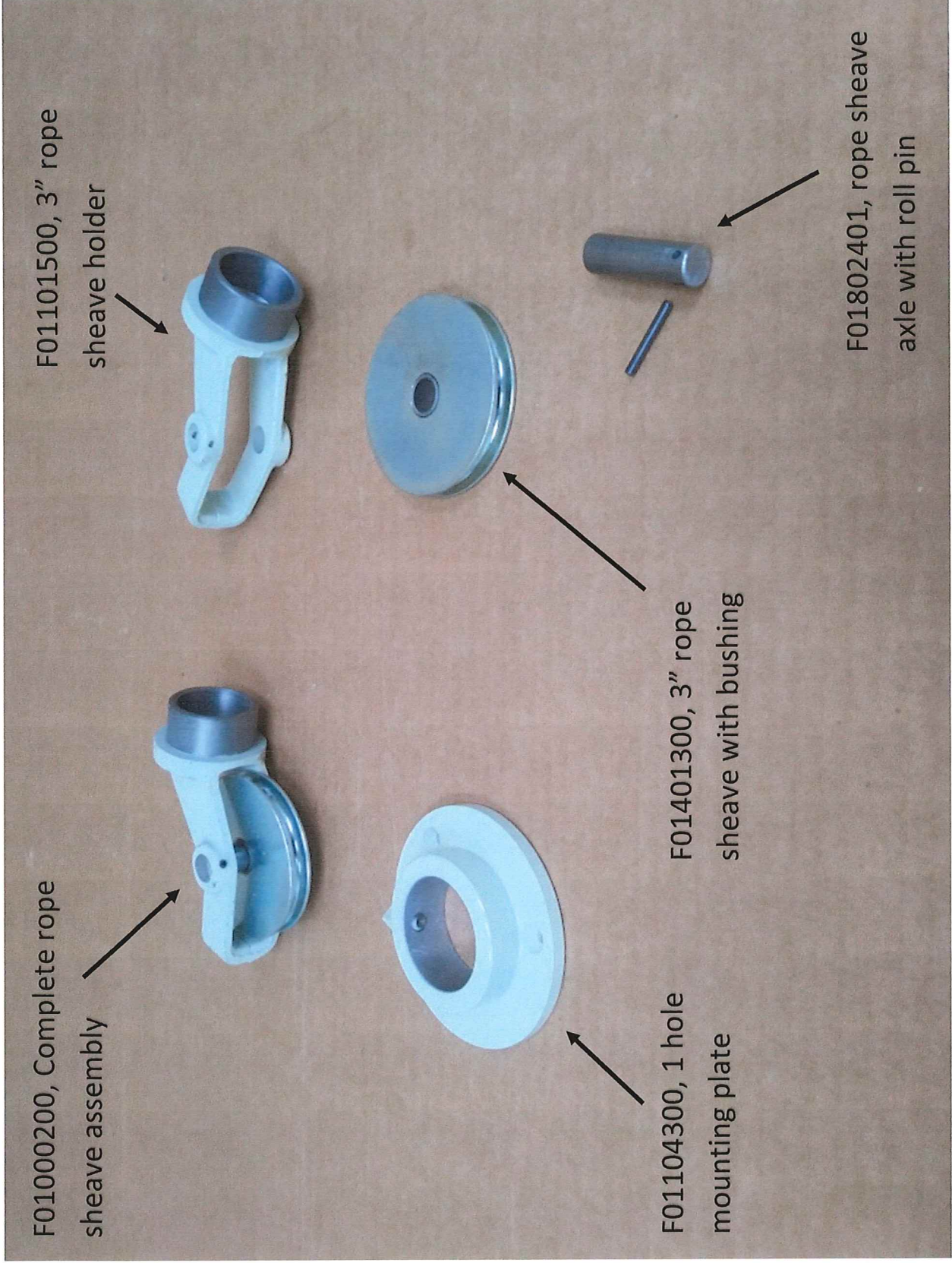
F04313500, Swivel
bearing plate

F04314800, Pivot
lever, air valve

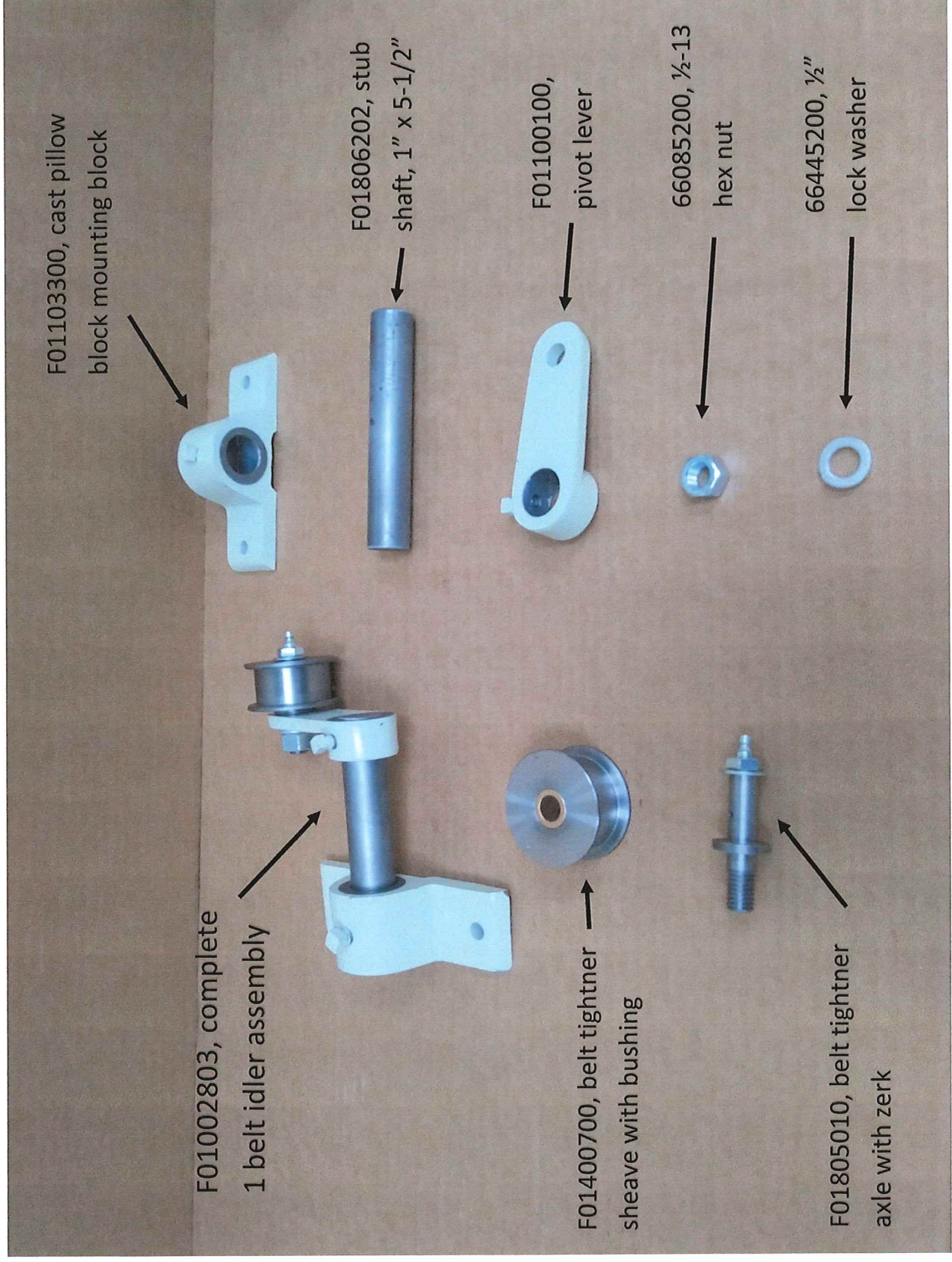
F84065603, Set screw,
5/16-18 square head

F01005500, universal joint

F01013500, Gate valve adjusting assembly, ALL



3" Rope sheave assembly



F01103300, cast pillow block mounting block

F01806202, stub shaft, 1" x 5-1/2"

F01100100, pivot lever

66085200, 1/2-13 hex nut

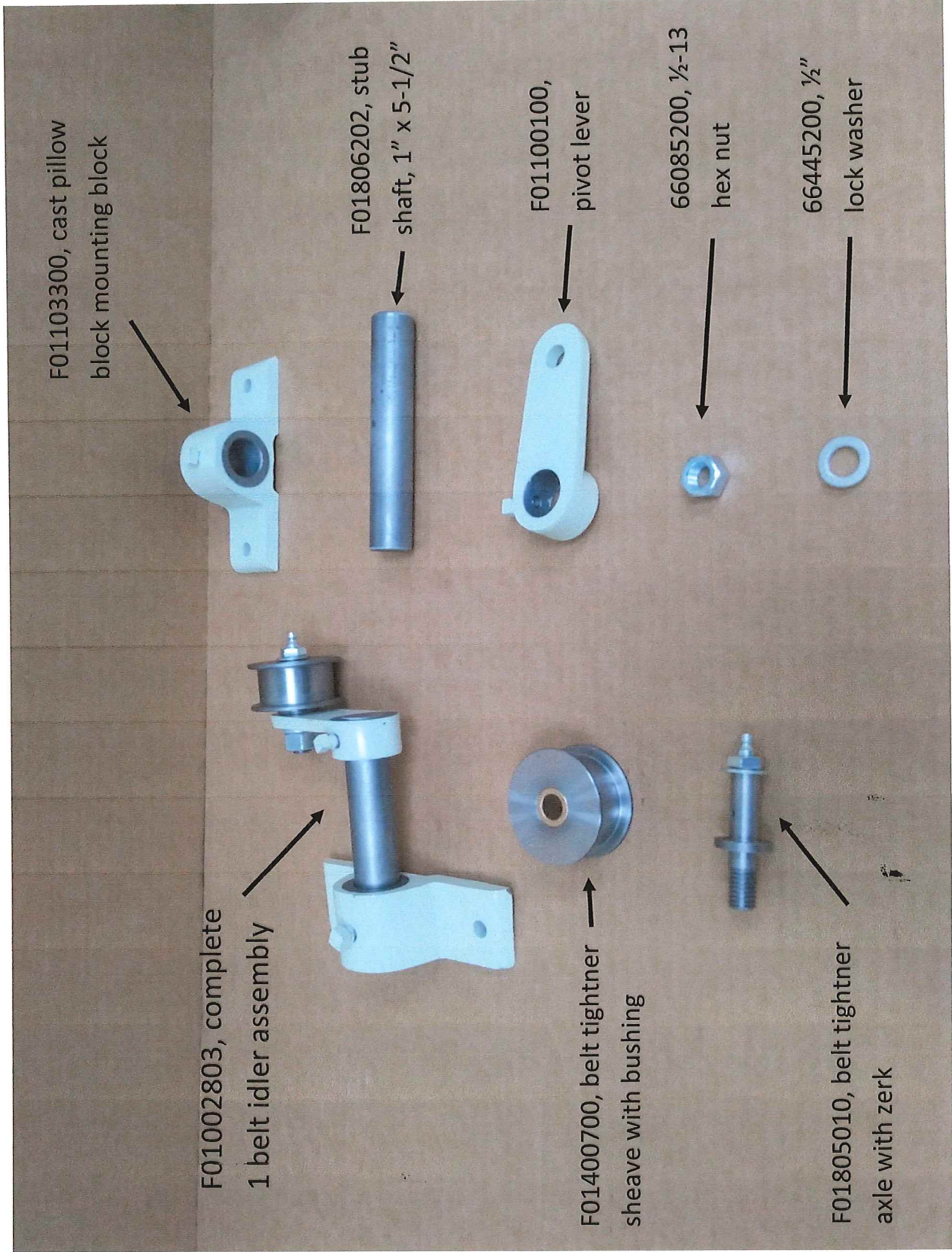
66445200, 1/2" lock washer

F01002803, complete 1 belt idler assembly

F01400700, belt tightener sheave with bushing

F01805010, belt tightener axle with zerk

Belt tightener assembly



F01103300, cast pillow
block mounting block

F01806202, stub
shaft, 1" x 5-1/2"

F01100100,
pivot lever

66085200, 1/2-13
hex nut

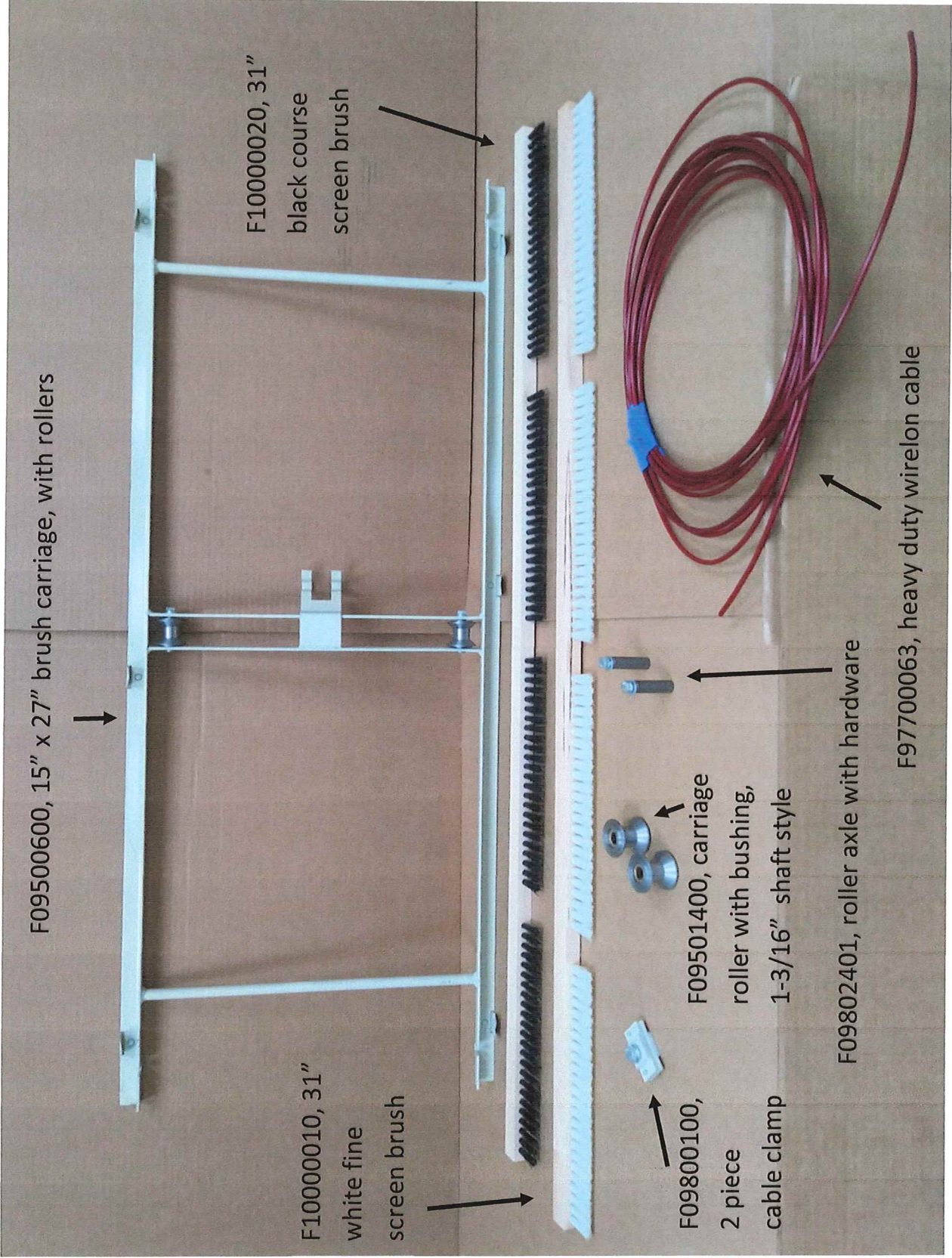
66445200, 1/2"
lock washer

F01002803, complete
1 belt idler assembly

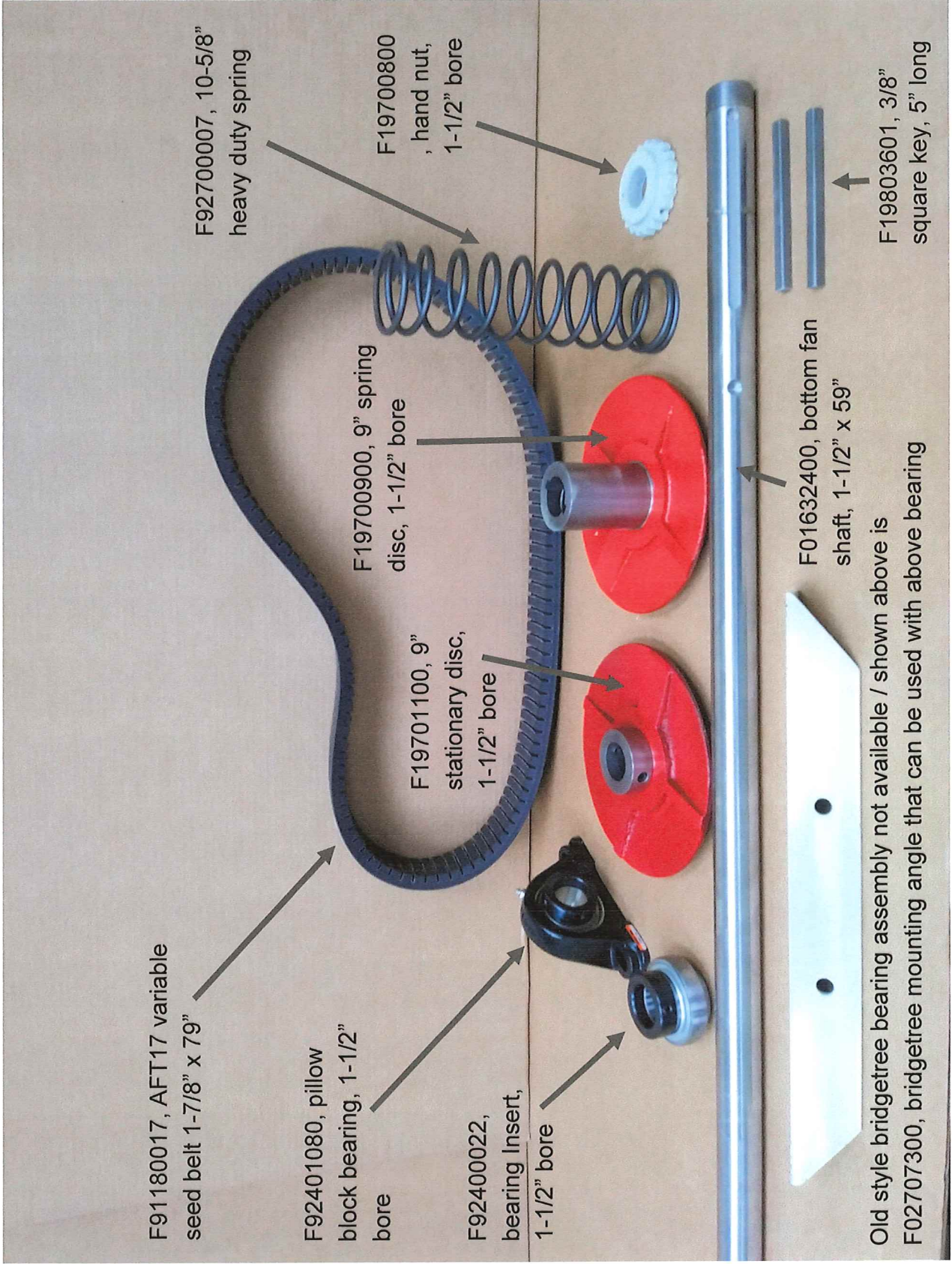
F01400700, belt tightener
sheave with bushing

F01805010, belt tightener
axle with zerck

Belt tightener assembly



Brush carriage, with accessories, page 10



F91180017, AFT17 variable
seed belt 1-7/8" x 79"

F92401080, pillow
block bearing, 1-1/2"
bore

F92400022,
bearing insert,
1-1/2" bore

F19701100, 9"
stationary disc,
1-1/2" bore

F19700900, 9" spring
disc, 1-1/2" bore

F92700007, 10-5/8"
heavy duty spring

F19700800
, hand nut,
1-1/2" bore

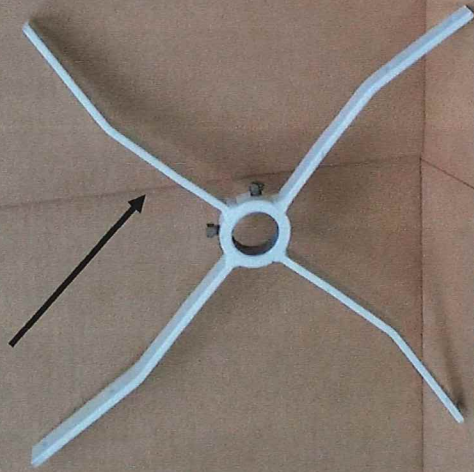
F01632400, bottom fan
shaft, 1-1/2" x 59"

F19803601, 3/8"
square key, 5" long

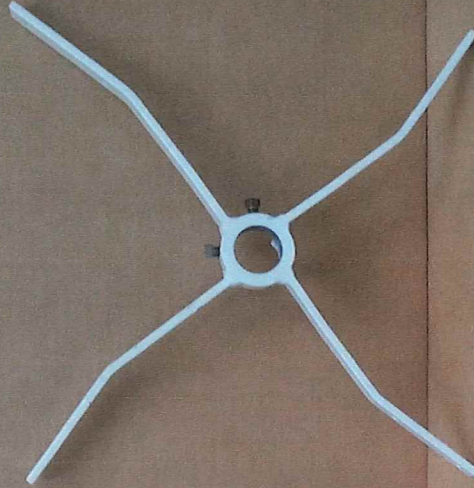
Old style bridgetree bearing assembly not available / shown above is
F02707300, bridgetree mounting angle that can be used with above bearing

Bottom fan shaft assembly, page 11

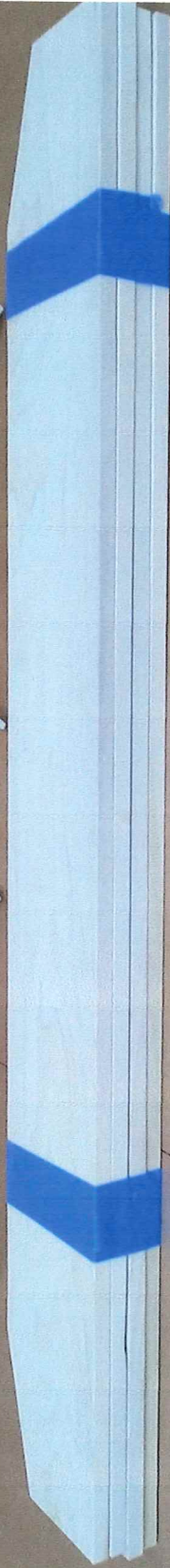
2 pieces, F06001000, bottom fan spider, 1-1/2" bore



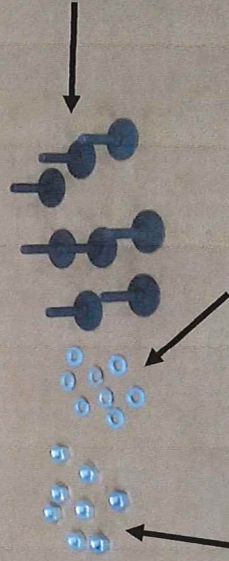
F06002682, complete bottom fan assembly



4 pieces, F01701104, bottom fan blade, 35-5/8" long

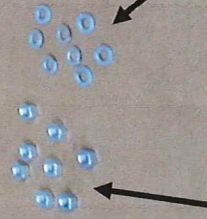


16 pieces, F82021407, elevator bolt, 1/4-20 x 1-1/4"

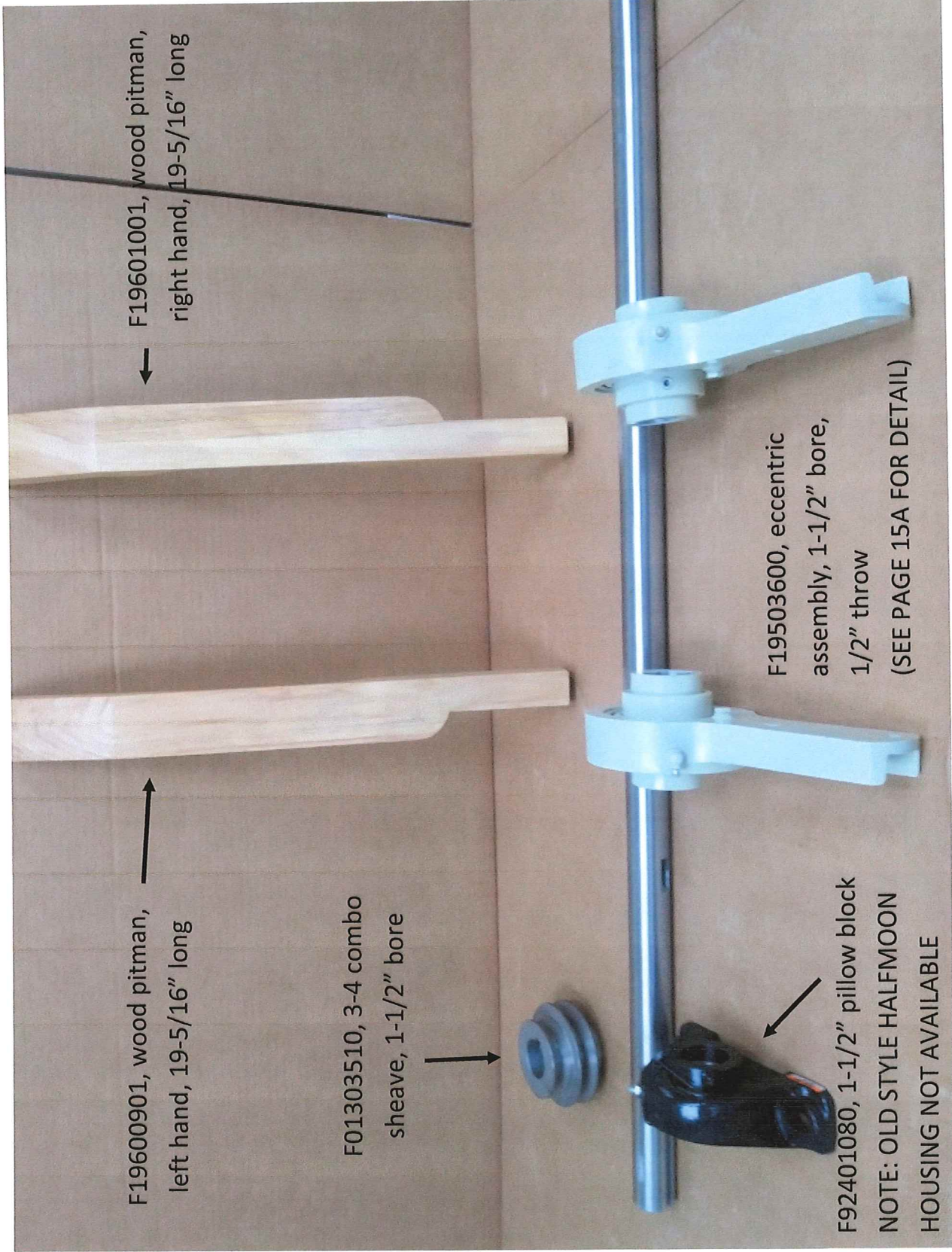


16 pieces, 66443300, 1/4" lock nut

16 pieces, 66083300, 1/4-20 hex nut



Bottom fan assembly, 1-1/2" shaft, 7 wide, page 12



F19600901, wood pitman,
left hand, 19-5/16" long

F19601001, wood pitman,
right hand, 19-5/16" long

F01303510, 3-4 combo
sheave, 1-1/2" bore

F92401080, 1-1/2" pillow block
NOTE: OLD STYLE HALFMOON
HOUSING NOT AVAILABLE

F19503600, eccentric
assembly, 1-1/2" bore,
1/2" throw
(SEE PAGE 15A FOR DETAIL)

Eccentric shaft, wood pitmans, page 15

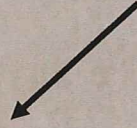
F19503600, Complete eccentric assembly, 1-1/2" bore, 1/2" throw



F19703000, Eccentric housing

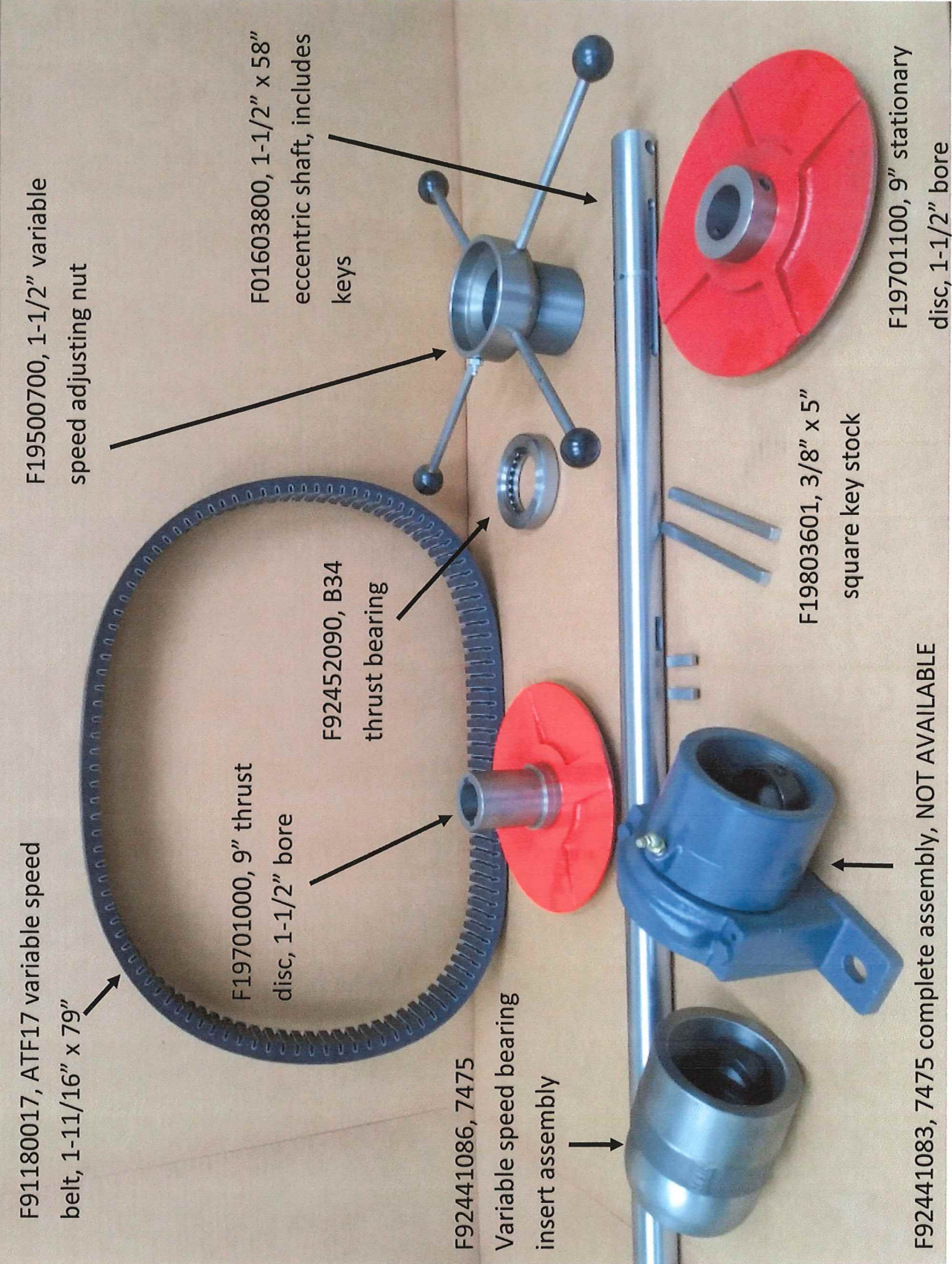


F19804004, Eccentric hub, 1-1/2" bore, 1/2" throw



F92400053, Bearing insert





F91180017, ATF17 variable speed belt, 1-11/16" x 79"

F19500700, 1-1/2" variable speed adjusting nut

F19701000, 9" thrust disc, 1-1/2" bore

F01603800, 1-1/2" x 58" eccentric shaft, includes keys

F92452090, B34 thrust bearing

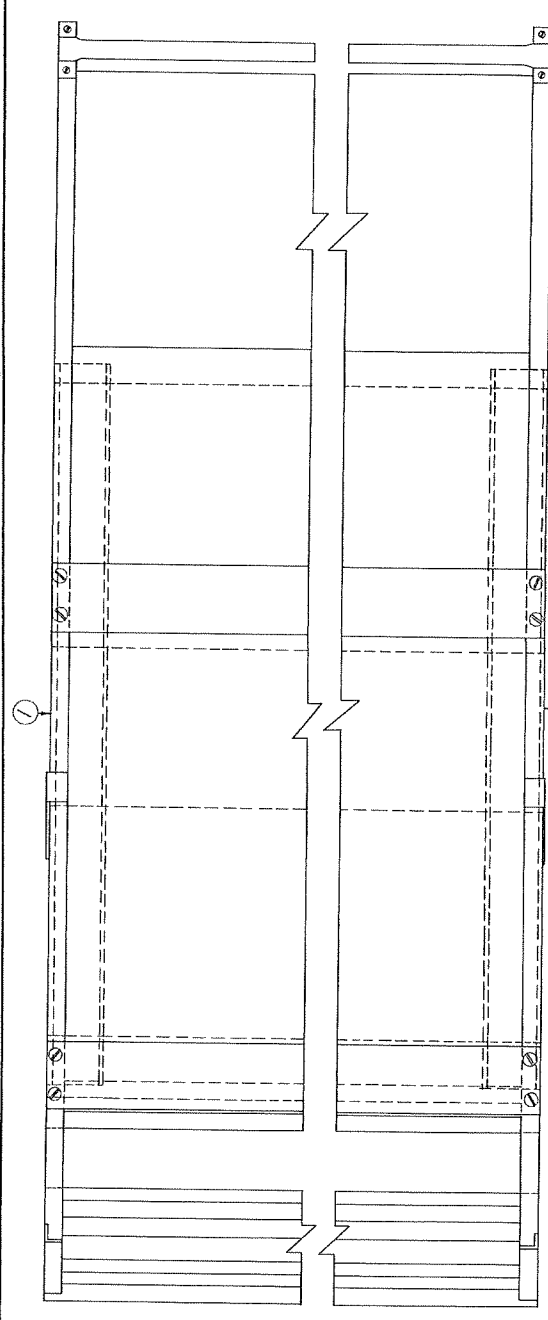
F92441086, 7475 Variable speed bearing insert assembly

F19803601, 3/8" x 5" square key stock

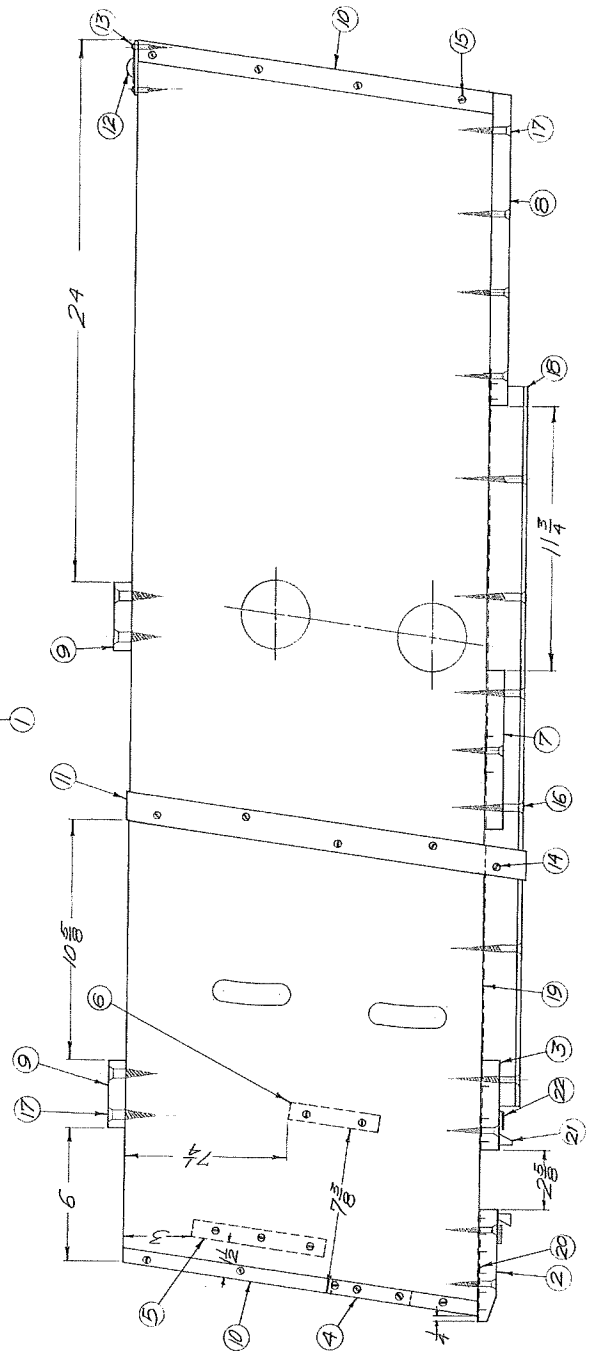
F19701100, 9" stationary disc, 1-1/2" bore

F92441083, 7475 complete assembly, NOT AVAILABLE

Eccentric shaft assembly, Super 47, page 16



NOTE: SEE SIDE VIEW FOR DIMENSIONS AND THICKNESS OF SPRING AND SPRING SUPPORTS. SPRING SUPPORTS ARE SHOWN IN SECTION.



- | | | | | |
|----|--------|---|---------------|------|
| 22 | 35-107 | 2 | SPROUT GUIDE | STL |
| 21 | 35-116 | 2 | SPROUT TRACK | PIRF |
| 20 | 35-126 | 1 | ROD END MOUNT | STL |
| 19 | 35-126 | 1 | BOTTOM MOUNT | STL |
| 18 | 35-126 | 1 | ROD END MOUNT | STL |
| 17 | 35-126 | 1 | ROD END MOUNT | STL |
| 16 | 35-126 | 1 | ROD END MOUNT | STL |
| 15 | 35-126 | 1 | ROD END MOUNT | STL |
| 14 | 35-126 | 1 | ROD END MOUNT | STL |
| 13 | 35-126 | 1 | ROD END MOUNT | STL |
| 12 | 35-126 | 1 | ROD END MOUNT | STL |
| 11 | 35-126 | 1 | ROD END MOUNT | STL |
| 10 | 35-126 | 1 | ROD END MOUNT | STL |
| 9 | 35-126 | 1 | ROD END MOUNT | STL |
| 8 | 35-126 | 1 | ROD END MOUNT | STL |
| 7 | 35-126 | 1 | ROD END MOUNT | STL |
| 6 | 35-126 | 1 | ROD END MOUNT | STL |
| 5 | 35-126 | 1 | ROD END MOUNT | STL |
| 4 | 35-126 | 1 | ROD END MOUNT | STL |
| 3 | 35-126 | 1 | ROD END MOUNT | STL |
| 2 | 35-126 | 1 | ROD END MOUNT | STL |
| 1 | 35-126 | 1 | ROD END MOUNT | STL |

MICROFILMED
DATE: 11/1/71

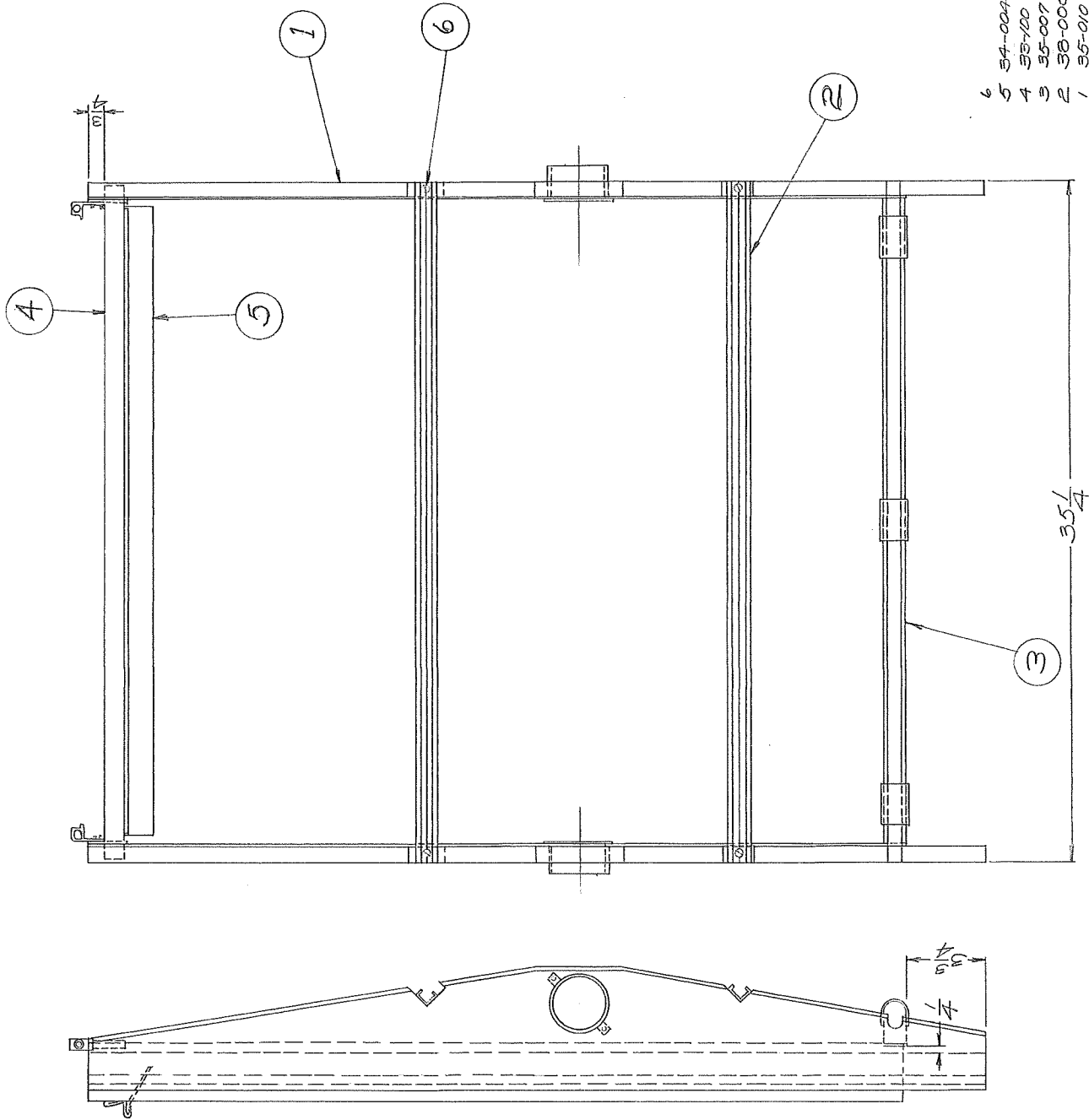
ASSEMBLY NO. 35-107
REV. 1
DATE: 11/1/71
BY: J. L. H. / J. L. H.

A. T. FERRELL & CO.
ANN ARBOR, MICH.
11/1/71

ITEM PART NO. 35-107 PART NAME PART. REV. NO.

35-107-2 AS NOTED L.H.
35-107-3 AS NOTED R.H.
PART NO. PART

SHEET NO. 30-064



ITEM	PART NO.	QTY	PART NAME	MATL.	REMARKS
6	WOODSCREW	572	3/4" x 6	F.H.	
5	54-004	1	STRIPING-GRAIN STOP	RUBBER	
4	35-100	1	GRAIN STOP	SH. ST.	
3	35-007	1	ADJUSTING GIRT	ASH	
2	38-000	2	BOTTOM BRACE		
1	35-010	2	ROCKER ARM ASSY.		L.H. & R.H.

TOP ROCKER ASSEMBLY

OWN. BY: [] TRD. BY: [] CND. BY: []

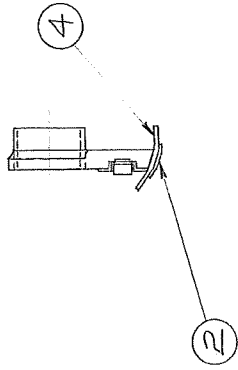
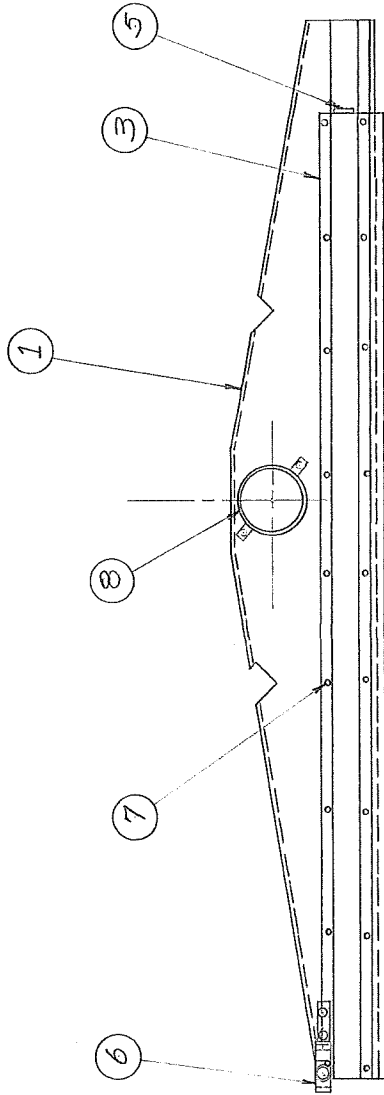
DATE: 8-2-57 SCALE: 3/4" = 1"

A. T. FERRELL & CO. SAGINAW, MICH.

SHEET NO. 35-015

MICROFILMED

DATE: FEB 4 1962



ROCKER ARM ASSEMBLY - TOP
2 REQD

PN 03501001 - 1 REQD AS SHOWN R.H.
PN 03501002 - 1 L.H. REQD.

- ① 8 FC35C5P00 1 CUP ASSEMBLY R.H.
- 7 18 1/2" WOODSCREW
- 6 307-008 1 SCREEN HOOK
- 5 39-010 1 STOP-SCREEN SH.ST.
- 4 39-002 1 STRIP-SCREEN RUBBER SH.ST.
- 3 38-021 1 SCREENWAY SH.ST.
- 2 38-020 1 STRIP-RUBBER HOLDING SH.ST.
- 1 36-008 1 ARM-TOP ROCKER PINE L.H. & R.H.

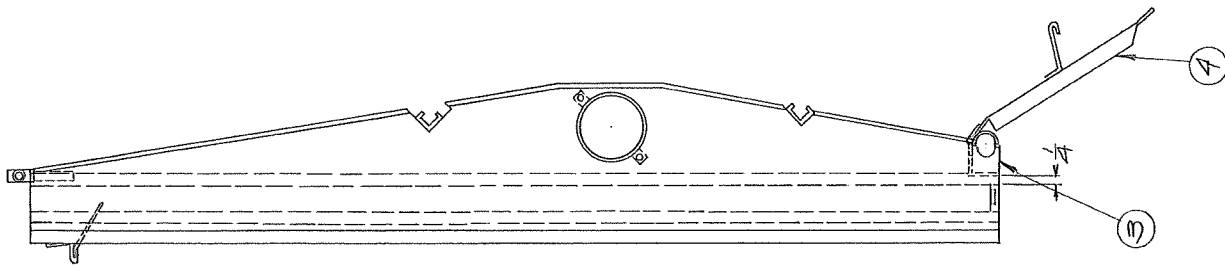
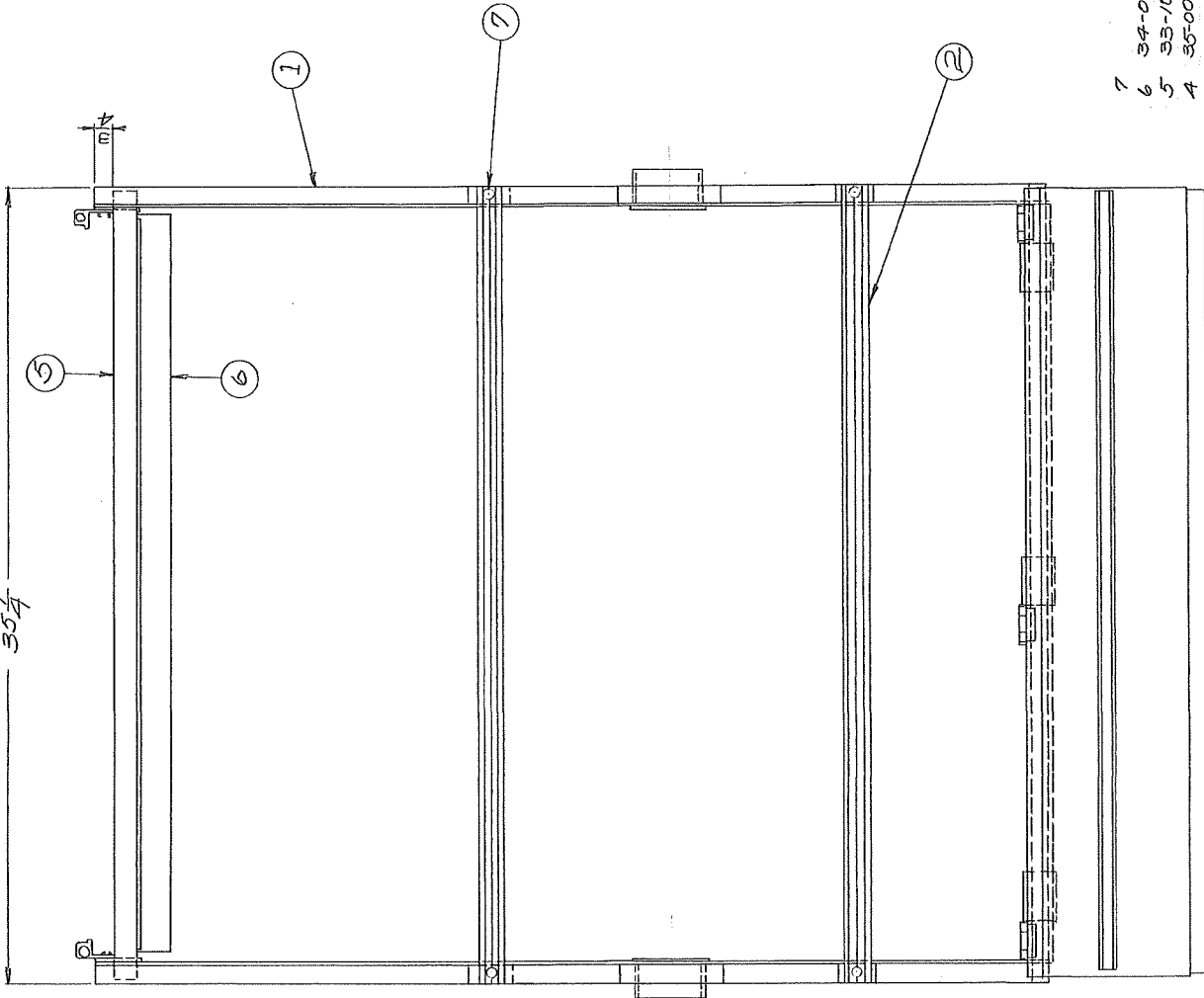
ITEM PART N ^o	REQD	PART NAME	MAIL	REMARKS
		ROCKER ARM - TOP		
		ASSEMBLY		
DWN. BY: J.A. TRD. BY: C.K.D. BY:				
DATE 12-31-57 SCALE 3/2				
A. T. FERRELL & CO. WORKS				
SAGINAW, MICH. P.O. BOX 110				
DATE 12-31-57				

MICROFILMED

DATE 12-31-57

SHEET NO. 35-010

35 1/4



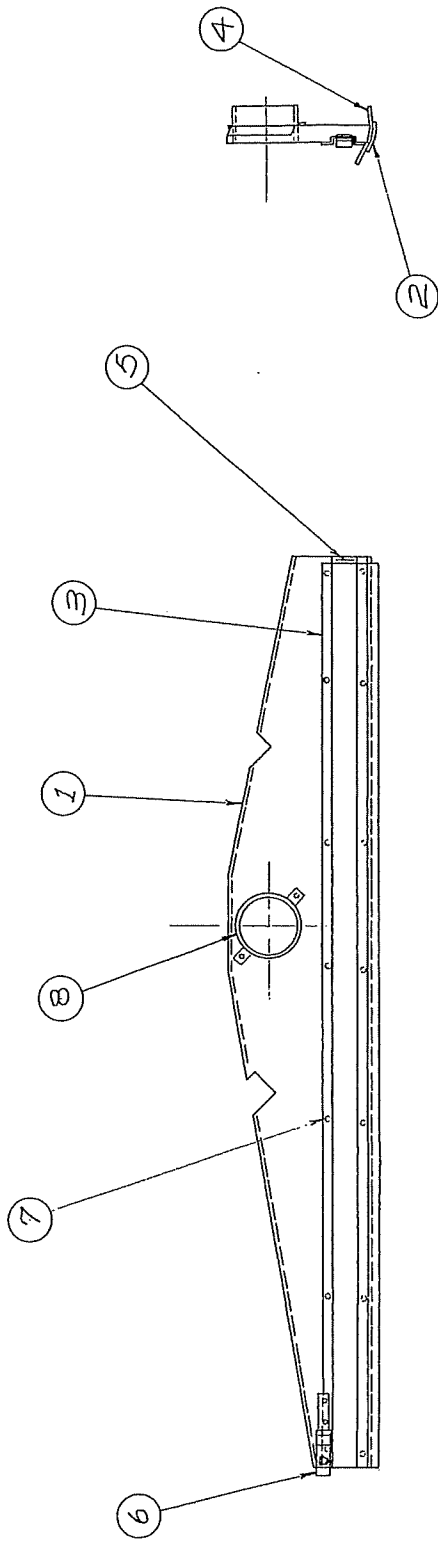
- 7 34-004 18 WOODSCREW STD. 3/4" B.F.H.
- 6 33-100 1 STRIPING-GRAIN STOP RUBBER
- 5 35-009 1 GRAIN STOP SH.ST.
- 4 35-007 1 APRON ASSY
- 3 35-007 1 ADJUSTING GIRT ASSY.
- 2 38-000 2 BOTTOM BRACE SH.ST.
- 1 35-011 2 ROCKER ARM ASSY L.H. & R.H.

ITEM PART NO. REQ. PART NAME
 BOTTOM ROCKER ASSEMBLY

DRAWN BY: R.A. TRS. BY: [Signature]
 DATE: 8-3-57 SCALE: 3/4" = 1"
 A. T. FERRELL & CO. 2072 N. 24th St. SAGINAW, MICH. 48604
 DATE: FEB 7 1961

MICROFILMED
 DATE FEB 7 1961

SHEET NO. 35-012



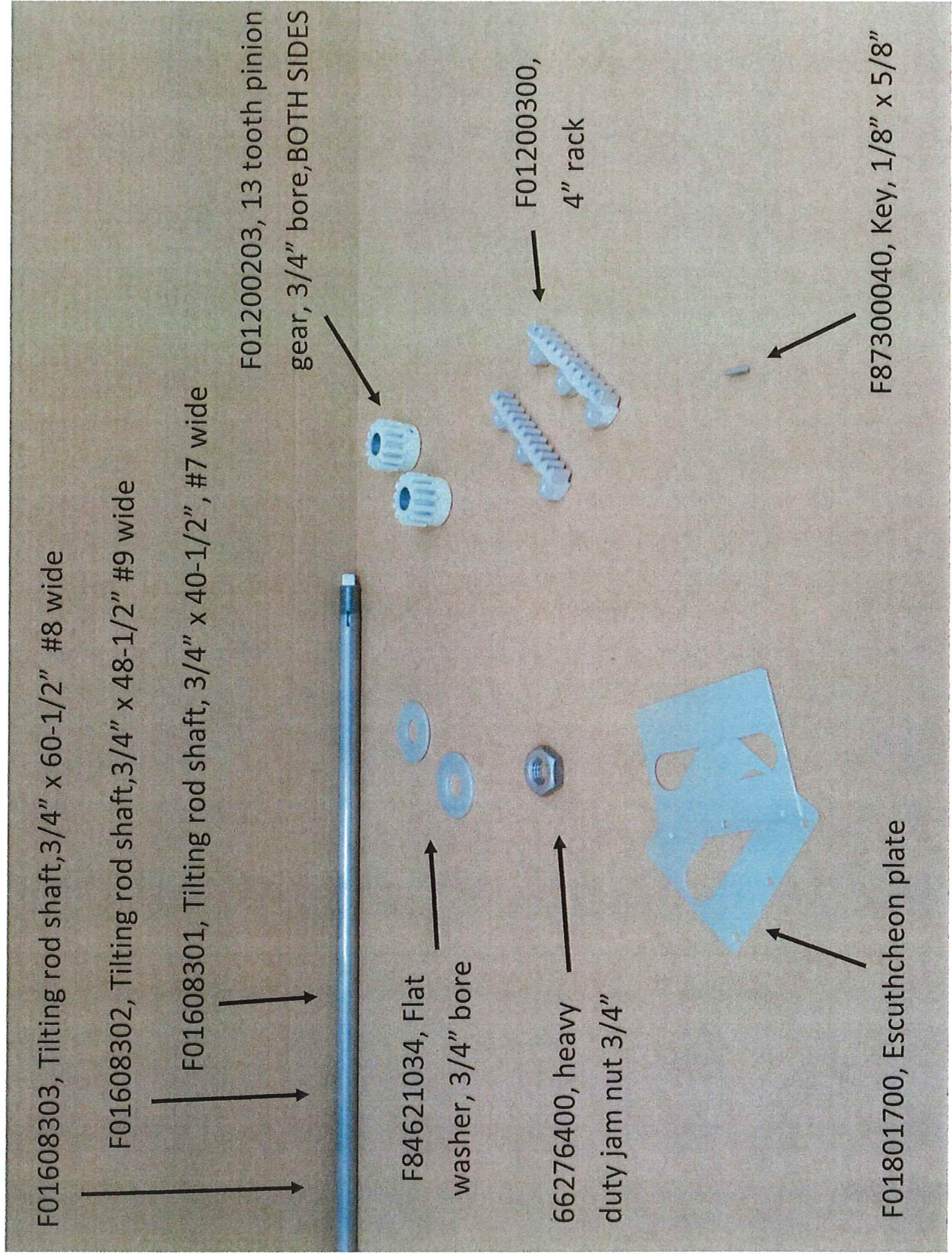
ROCKER ARM ASSEMBLY - BOTTOM
 2 REQD

PH 00501101 - 1 REQD AS SHOWN R.H.
 PH 00501102 - 1 L.H. REQD

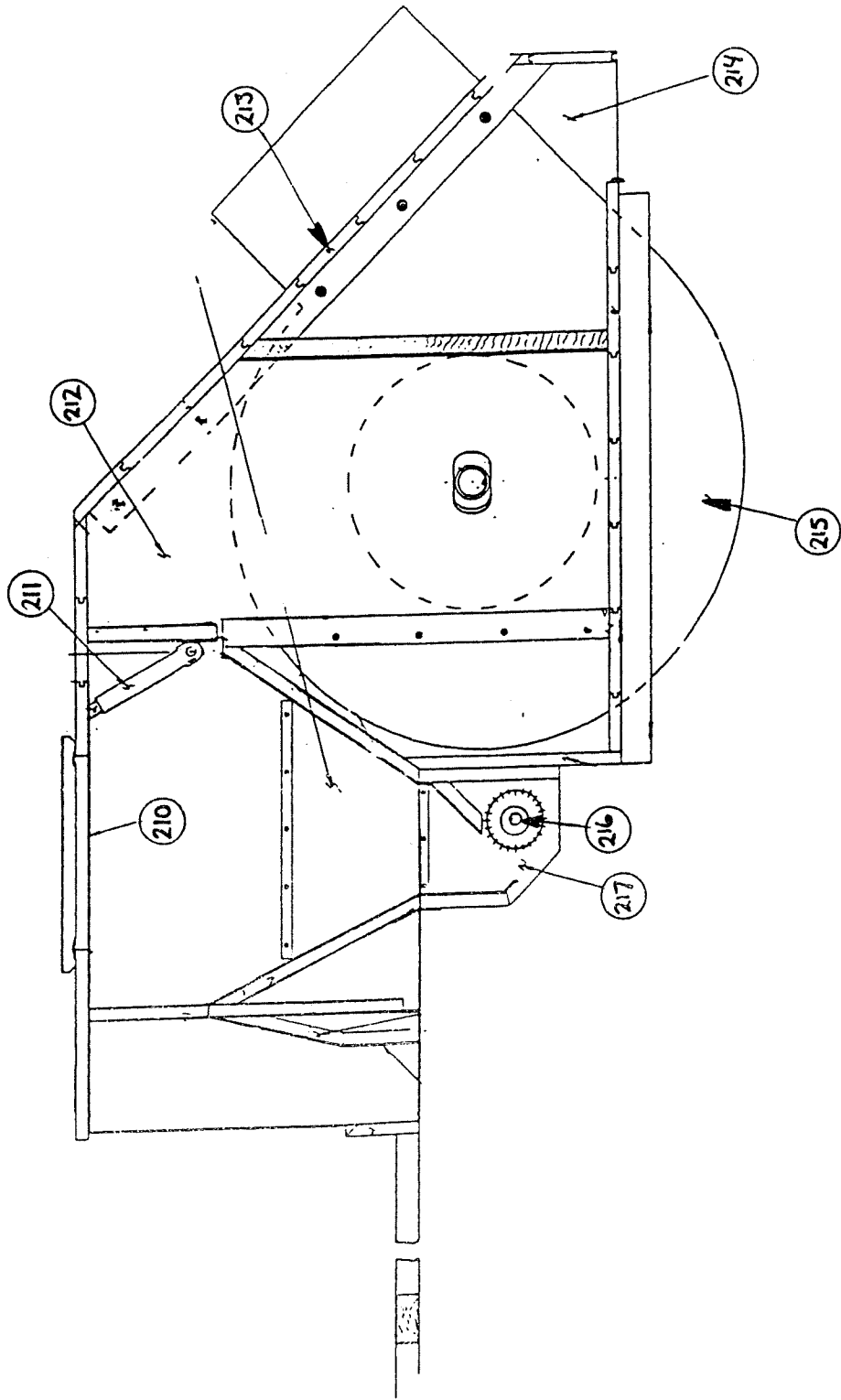
QTY	ITEM	PART NAME	REQD	MATL	REMARKS
1	8	FO3508900	1	CUP ASSEMBLY	R.H.
1	7	35-008	1	1/2" 14 WOODSCREW	
1	6	35-008	1	SCREEN HOOK	
1	5	38-010	1	STOP-SCREEN	SH. ST.
1	4	38-002	1	STRIP-SCREEN	RUBBER
1	3	38-021	1	STRIP-RUBBER	SH. ST.
1	2	38-020	1	STRIP-RUBBER	SH. ST.
1	1	38-009	1	ARM-BOTTOM ROCKER	PIKE L.H. R.H.

ROCKER ARM-BOTTOM ASSEMBLY	
OWN. BY: A	TRD. BY: ...
DATE: 8-1-57	SCALE: 3/2
A. T. FERRELL & CO. 27-0177A	
EAGANAW, MICH. 49626, MPA	
SHEET NO. 35-011	

MICROFILMED
 DATE FEB 1 1961



Screen rocker adjusting assembly



AIR TRUNK